



IMI CORNELIUS INC.
One Cornelius Place
Anoka, MN. 55303-6234
Telephone 1-800-238-3600
Facsimile 1-800-258-0255

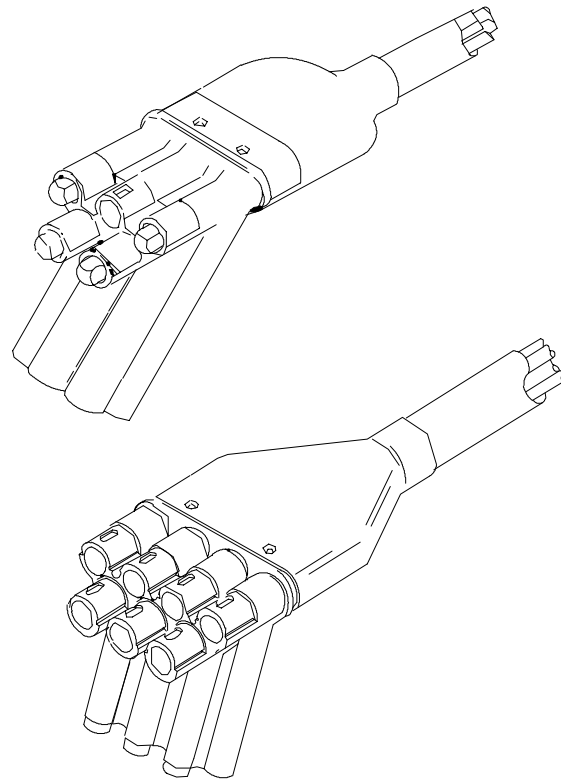
www.cornelius.com

ILLUSTRATED PARTS LIST

BAR VALVE ASS'Y (5 AND 7-FLAVOR)

MODEL NO.

252553xxx
252557xxx
252575xxx
314994xxx
317888xxx





IMI CORNELIUS INC.
 One Cornelius Place
 Anoka, MN. 55303-6234
 Telephone 1-800-238-3600
 Facsimile 1-800-258-0255

www.cornelius.com

ILLUSTRATED PARTS LIST

BAR VALVE ASS'Y (5 AND 7-FLAVOR)

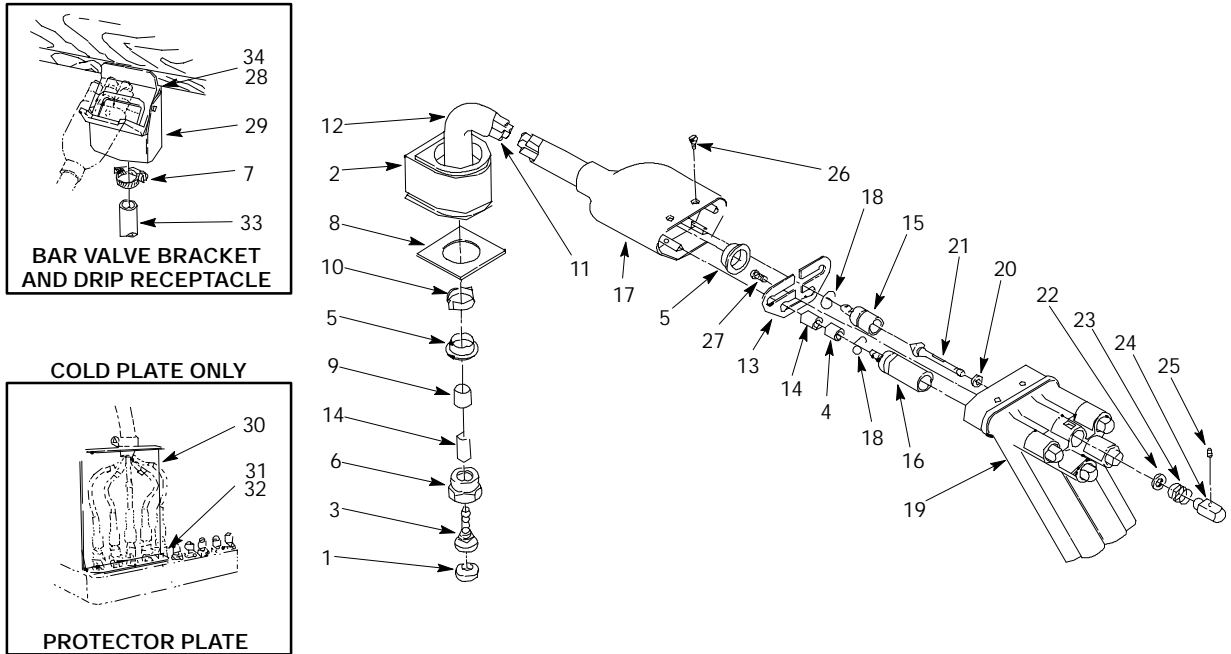


FIGURE 1. 5-FLAVOR BAR VALVE ASSEMBLY

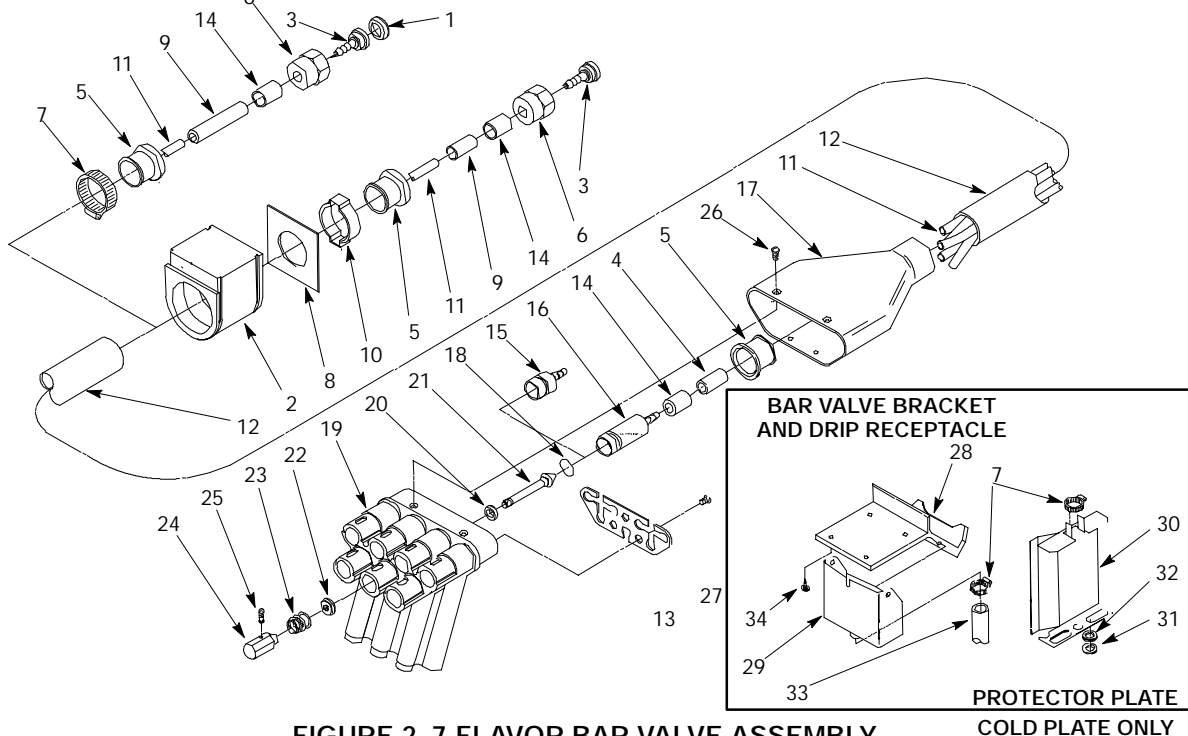


FIGURE 2. 7-FLAVOR BAR VALVE ASSEMBLY



IMI CORNELIUS INC.
 One Cornelius Place
 Anoka, MN. 55303-6234
 Telephone 1-800-238-3600
 Facsimile 1-800-258-0255

www.cornelius.com

ILLUSTRATED PARTS LIST

BAR VALVE ASS'Y (5 AND 7-FLAVOR)

Item No.	Part No.	Name
1	178025100	Gasket 1/4 Male Flare (Cold Plate)
	178025200	Gasket 5/16 Male Flare (Cold Plate)
2	313226000	Grommet (Challenger 1)
3	176152000	Fitg Nipl Used With 7/16-20 Nut
	77020200	Fitg Nipl Used With 1/2-16 Nut
4	151154000	Spacer
5	315941000	Strain Relief
	316208000	Strain Relief (Stainless Steel Jacket)
6	176018000	Nut Swiv 7/16-20
	176016000	Nut Swiv 1/2-16
7	314490000	Clamp Hose (Cold Plate)
8	315318000	Washer Strain Relief (Challenger 1)
9	315489000	Tube Spacer (Cold Plate)
	151154000	Spacer (Challenger 1)
10	319681000	Clamp (Challenger 1)
11	174149000	Tubg CoPoly .114 I.D. (Sold by the Foot)
12	316209000	Conduit Flex 48" (Stainless Steel Jacket)
	174148000	Tubg Vinyl .645 I.D. (Sold by the Foot)
13	150978000	Plate Retainer 5-Flavor
	151712000	Plate Retainer 7-Flavor
14	176035000	Ferrule .335 I.D.
15	150916000	Fitg Val Inlet Short
16	150915000	Fitg Val Inlet Long

Item No.	Part No.	Name
17	151720039	Handle 5-Flavor
	151711039	Handle 7-Flavor
18	150058000	O-Ring .301 I.D.
19	151700888	Body 5-Flavor
	151710888	Body 7-Flavor
20	150511000	Seal Shaft
21	150513000	Shaft Valve
22	151713000	Seal Shaft
23	150919000	Spring Valve
24	150914000	Knob Actuator
25	150938000	Screw ST 5-40 SLOT 6
26	151708000	Screw MA 6-32 OVSL 12
27	151707000	Screw TR 8-32 TRSL 12
28	151458001	Brkt Receptacle 5-Flavor (Cold Plate)
	151714039	Brkt Receptacle 7-Flavor (Cold Plate)
29	151459001	Receptacle Drip 5-Flavor (Cold Plate)
	151715039	Receptacle Drip 7-Flavor (Cold Plate)
30	151671001	Box Tube Protector (Cold Plate)
31	150967000	Spacer (Cold Plate)
32	186685000	Washer Ft .505 I.D. (Cold Plate)
33	174150001	Tubg Vinyl .625 I.D. (Sold by the Foot; Cold Plate)
34	200468012	Screw SM 8 TRPH 24 (Cold Plate)
35	150920xxx	Collar Flavor I.D. (Specify)



IMI CORNELIUS INC.
One Cornelius Place
Anoka, MN. 55303-6234
Telephone 1-800-238-3600
Facsimile 1-800-258-0255

www.cornelius.com

ILLUSTRATED PARTS LIST

BAR VALVE ASS'Y (5 AND 7-FLAVOR) ACCESSORIES/KITS

LOCK BOX (5-FLAVOR)
(316261000)

LOCK BOX (7-FLAVOR)
(316261007)