



ILLUSTRATED PARTS LIST IDC 2XX



Publication Number: 621057403IPL

Revision Date: August 3, 2010

Revision: G

Visit the IMI Cornelius web site at www.cornelius.com for all your Literature needs.

The products, technical information, and instructions contained in this manual are subject to change without notice. These instructions are not intended to cover all details or variations of the equipment, nor to provide for every possible contingency in the installation, operation or maintenance of this equipment. This manual assumes that the person(s) working on the equipment have been trained and are skilled in working with electrical, plumbing, pneumatic, and mechanical equipment. It is assumed that appropriate safety precautions are taken and that all local safety and construction requirements are being met, in addition to the information contained in this manual.

This Product is warranted only as provided in Cornelius' Commercial Warranty applicable to this Product and is subject to all of the restrictions and limitations contained in the Commercial Warranty.

Cornelius will not be responsible for any repair, replacement or other service required by or loss or damage resulting from any of the following occurrences, including but not limited to, (1) other than normal and proper use and normal service conditions with respect to the Product, (2) improper voltage, (3) inadequate wiring, (4) abuse, (5) accident, (6) alteration, (7) misuse, (8) neglect, (9) unauthorized repair or the failure to utilize suitably qualified and trained persons to perform service and/or repair of the Product, (10) improper cleaning, (11) failure to follow installation, operating, cleaning or maintenance instructions, (12) use of "non-authorized" parts (i.e., parts that are not 100% compatible with the Product) which use voids the entire warranty, (13) Product parts in contact with water or the product dispensed which are adversely impacted by changes in liquid scale or chemical composition.

Contact Information:

To inquire about current revisions of this and other documentation or for assistance with any Cornelius product contact:

www.cornelius.com

800-238-3600

Trademarks and Copyrights:

This document contains proprietary information and it may not be reproduced in any way without permission from Cornelius.

Printed in U.S.A.



ILLUSTRATED PARTS LIST

IDC 2XX

CLADDING COMPONENTS AND OVERALL ASSEMBLY DETAIL

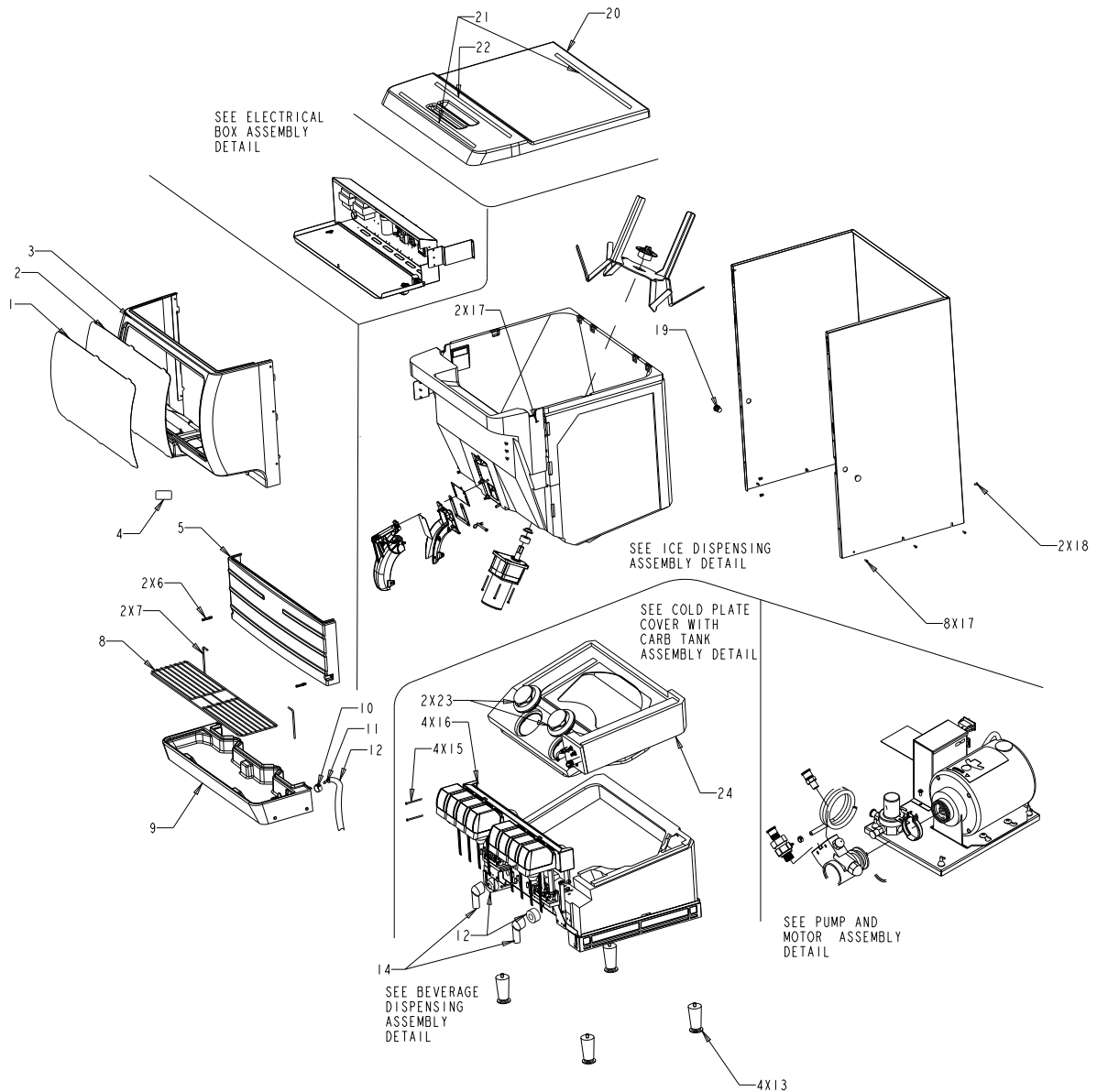


FIGURE 1



Item No.	Part No.	Name
1	620920086	Merchandiser Graphic IDC 255
	620921016	Merchandiser Graphic IDC 215
2	620044219	Merchandiser Lens IDC 255
	620518221	Merchandiser Graphic IDC 215
3	620044217	Merchandiser Assembly IDC 255
	620044233	Merchandiser Assembly IDC 215
4	620920955	Ice Label
5	620052764	Splash Panel Assembly
6	70171	Machine Screw, #8-32 X 3/8" Long, Stainless Steel
7	10145	Drip Tray Mounting Pin
8	620708534	Cup Rest
9	620046247	Drip Tray
10	70750	Hose Clamp
11	51774	Clear Vinyl Tubing 1" ID X 1/8" Wall: Supplied in 6' lengths.
12	50335	Armaflex Insulation 1-3/8" ID X 3/8" Wall: Supplied in 6' lengths.
13	70970	4" Adjustable Leg, 3/8"-16, Black Plastic with Nickel Plated Foot

Item No.	Part No.	Name
14	53011	Rubber Elbow Fitting for Cold Plate Drain
15	70555	Machine Screw, #8-32 X 2-5/8" Long, Stainless Steel
16	71010	#8 Retaining Washer
17	620705801	Phillips Truss Head Screw, #8-18 X 1/2" Long, Stainless Steel
18	70171	Machine Screw, #8-32 X 3/8" Long, Truss Pan-Head, Stainless Steel
19	32977	Keyswitch Assem. (Keys Included): Replacement keys only (70739)
20	620517034	Lid (Requires Items 21 & 22)
21	91957	Lid Warning Label
22	620708523	Lid Manual Fill Caution Label
23	620516645	Cover Cold Plate Access
24	620043354	Cold Plate Cover Assy

ELECTRICAL BOX ASSEMBLY DETAIL

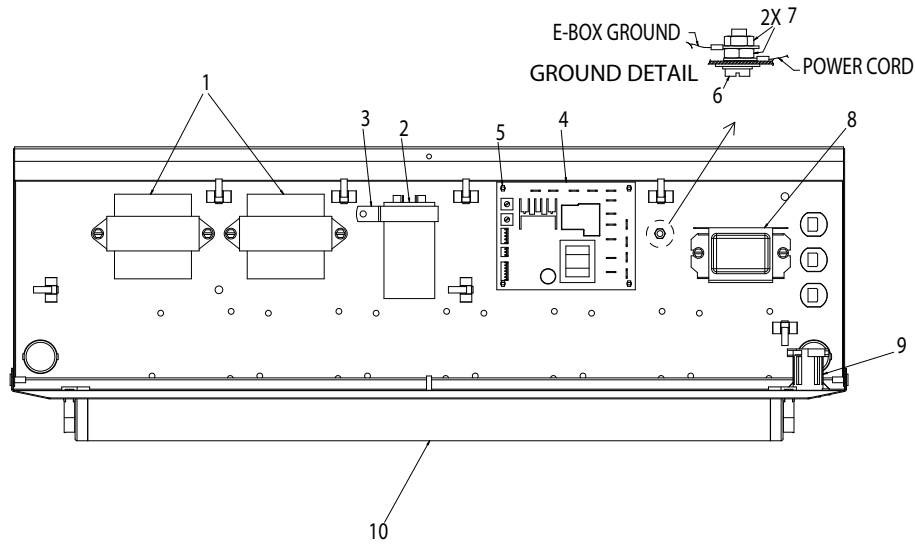


FIGURE 2

Item No.	Part No.	Name
1	620710707	Transformer
2	560002379	Capacitor 20 MFD 230V 50Hz
3	620717212	Capacitor Mount
4	620314825	Main Electrical Board
5	325925	Electrical Board Support
6	70120	Machine Screw,#10-32, Ground
7	70015	HEX Nut 10-32 KEPS
8	31621	Ballast

Item No.	Part No.	Name
9	31620	Starter
10	31928	Fluorescent Bulb 23"
11	30794	Agitator Motor Heater
12	620316445	Agitator Motor Harness
13	620316456	Water Pump and Motor Harness
14	30995	Power Cord
15	620316455	Liquid Level Control Probe Harness
16	620316457	Ice Chute Position Sensor Harness

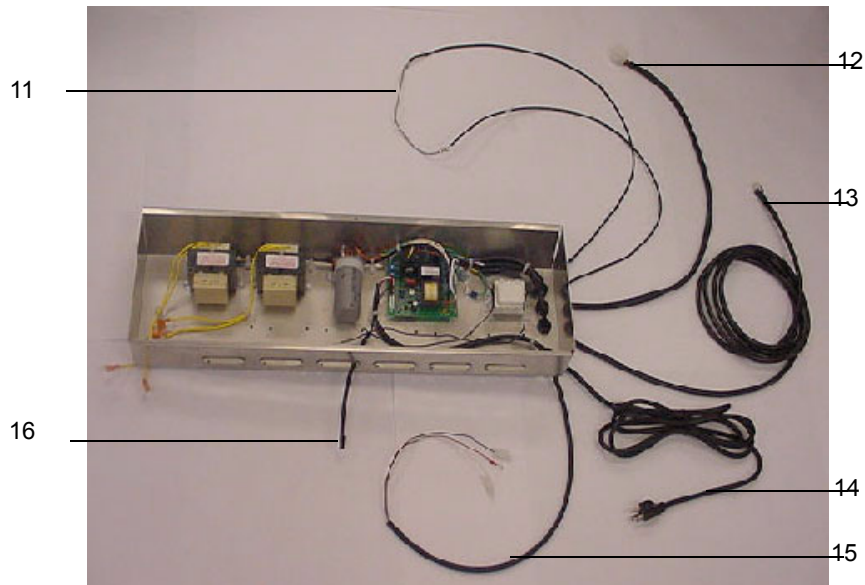


FIGURE 3

ICE DISPENSING ASSEMBLY DETAIL

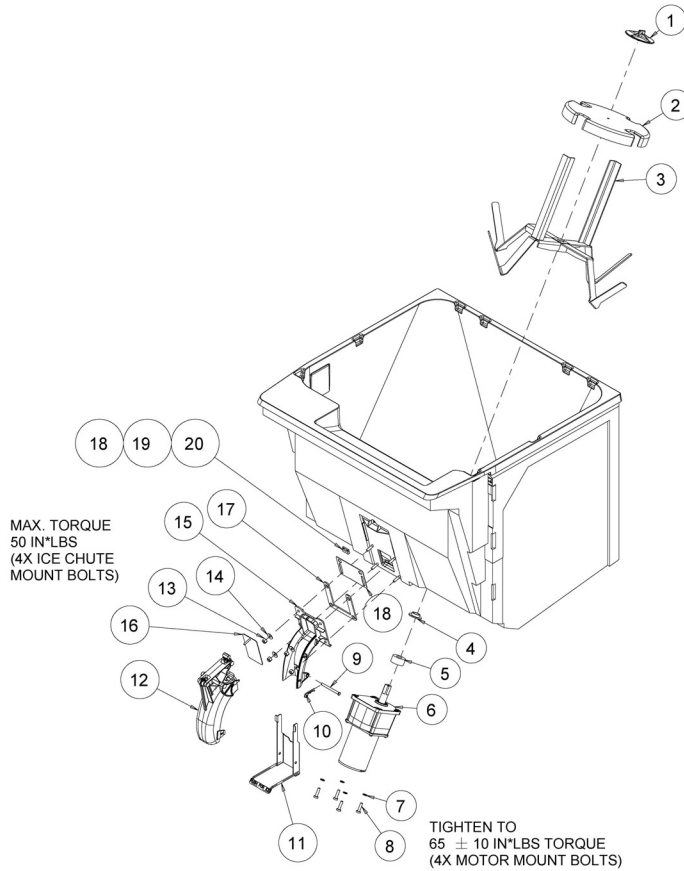


FIGURE 4

Item No.	Part No.	Name
1	15087	Agitator Retainer
2	620042770	Agitator Disk
3a	620042766	Agitator
3b	620042723	Agitator (opt. w/no disk reqd.)
4	620711105	Gear Box Shaft Seal
5	52876	Gear Box Shaft Gasket
6	620314923 620314913	Service Motor (Without Gear Box) Motor and Gear Box Assembly
7	186294000	Lock Washer .262" ID X .489" OD X .062" Thick, SS
8	620720590	Self-Locking Socket Head Cap Screw, 1/4-20, 1" Long, SS
9	620051502	Clevis Pin, .250" Dia X 2.75" Long, SS
10	620709432	Hairpin Cotter, SS

Item No.	Part No.	Name
11	620518517 620709311	Ice Chute Push Bar Ice Chute Lever (not shown)
12	620518523	Upper Ice Chute Assembly
13	620709132	Hex Nut, 1/4-20 Nylock, SS
14	70066	Flat Washer, .265" ID X .750" OD X .055" Thick, SS
15	620518513	Lower Ice Chute
16	620048706	Ice Gate
17	620710113	Ice Gate Gasket
18	620046504	Ice Gate Restrictor Plate
19	0704105	Machine Screw,#08-32 Truss Phillips Head, 1/2" Long, SS
20	V25248	Flat Washer, #10 SS
21	620314527	Ice Chute Position Sensor
22	90432	Heater Caution Label



BEVERAGE DISPENSING ASSEMBLY DETAIL (AFTER SERIAL No. 62C0912JD002 SEE PAGE 7 FOR TOTALFLEX 1 PARTS)

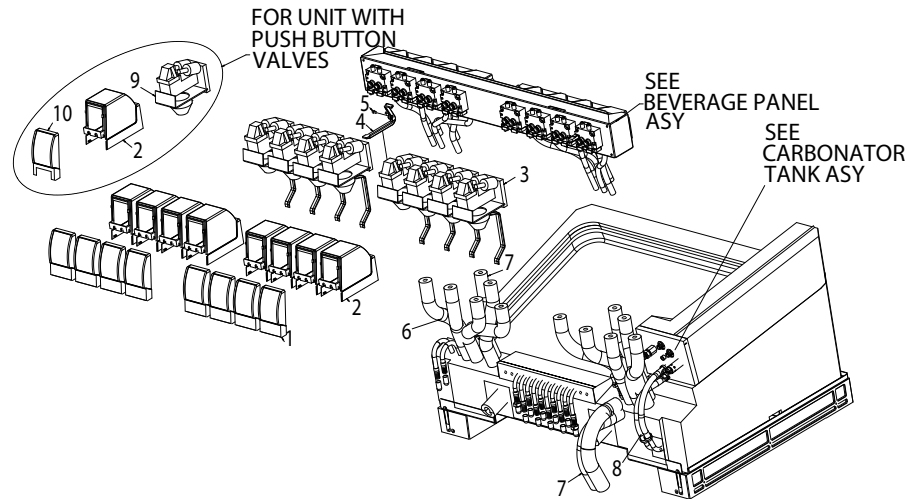


FIGURE 5

Item No.	Part No.	Name
1	1956	Front Valve Cover (For lever valves only. Use item 10 for push button valves)
2	1950	Back Valve Cover
3	561000155	UFB Lever Valve Assembly
4	1935	Water Only Lever Bar
5	560001788	Sheetmetal Screw, #6-32 X 3/16" Long Pan Head Slotted, Stainless
6	50163	Armaflex Insulation 3/8 ID X 3/8 Wall: Supplied in 6' Lengths

Item No.	Part No.	Name
7	50249	Armaflex Insulation Tubing 1/2 ID X 3/8 WALL: Supplied in 6' lengths.
8	620607436	Polyethylene Tubing, .380" ID X .593" OD: Supplied in 12' Lengths
9	561000161	UFB Push Button Valve Assembly
10	1951	Front Valve Cover (For push button valve only. Use Item 1 for Lever Valves)



BEVERAGE PANEL ASSEMBLY DETAIL (AFTER SERIAL NO. 62C0912JD002 SEE PAGE 7 FOR TOTALFLEX 1 PARTS)

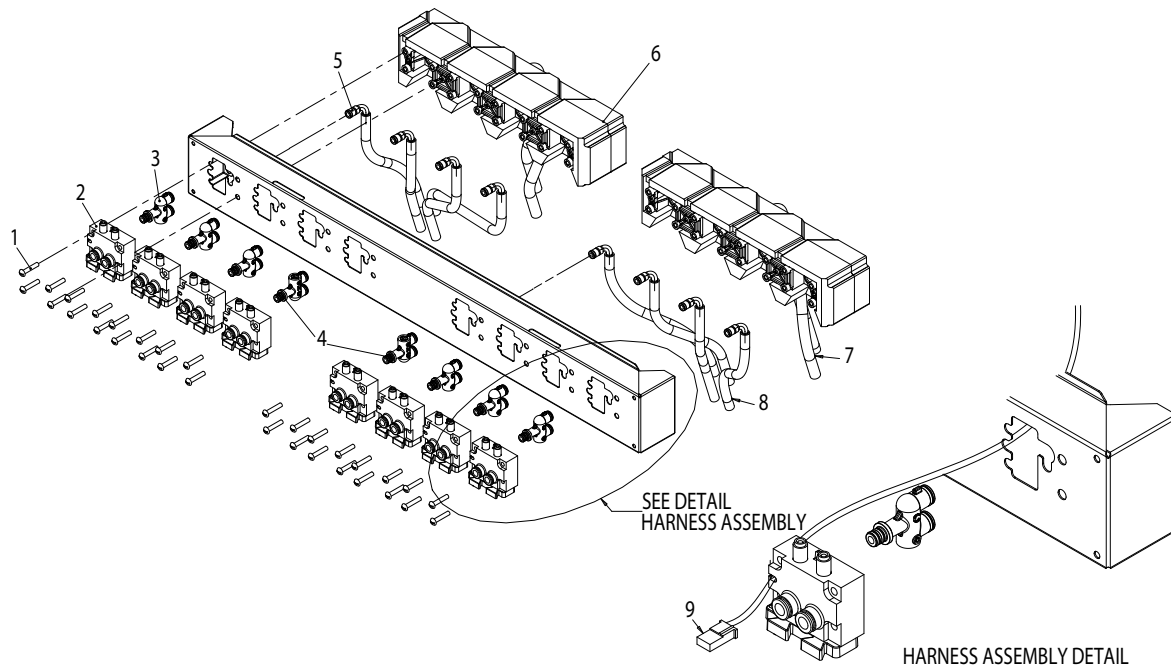


FIGURE 6

Item No.	Part No.	Name
1	70692	Machine Screw, #10-32 X 1" Long Round Phillips Head, Stainless Steel
2	1919	UF1 Valve Back Block Assembly
3	620718989	Y-Fitting, Carbonated Water
4	620718990	Y-Fitting, Non-carbonated Water
5	620709068	Elbow Dole Fitting, 1/4 Barb with O-ring

Item No.	Part No.	Name
6	620407772	Totalflex Manifold Assembly 4 Valve, One Side, (5 Valve 620407770)
7	620607436	Polyethylene Tubing, .380" ID X .593" OD: Supplied in 12' Lengths
8	50299	Polyethylene Tubing, .265" ID X .465" OD: Supplied in 12' Lengths
9	31827	Valve Power Harness



BEVERAGE DISPENSING AND BEVERAGE PANEL ASSEMBLY DETAIL

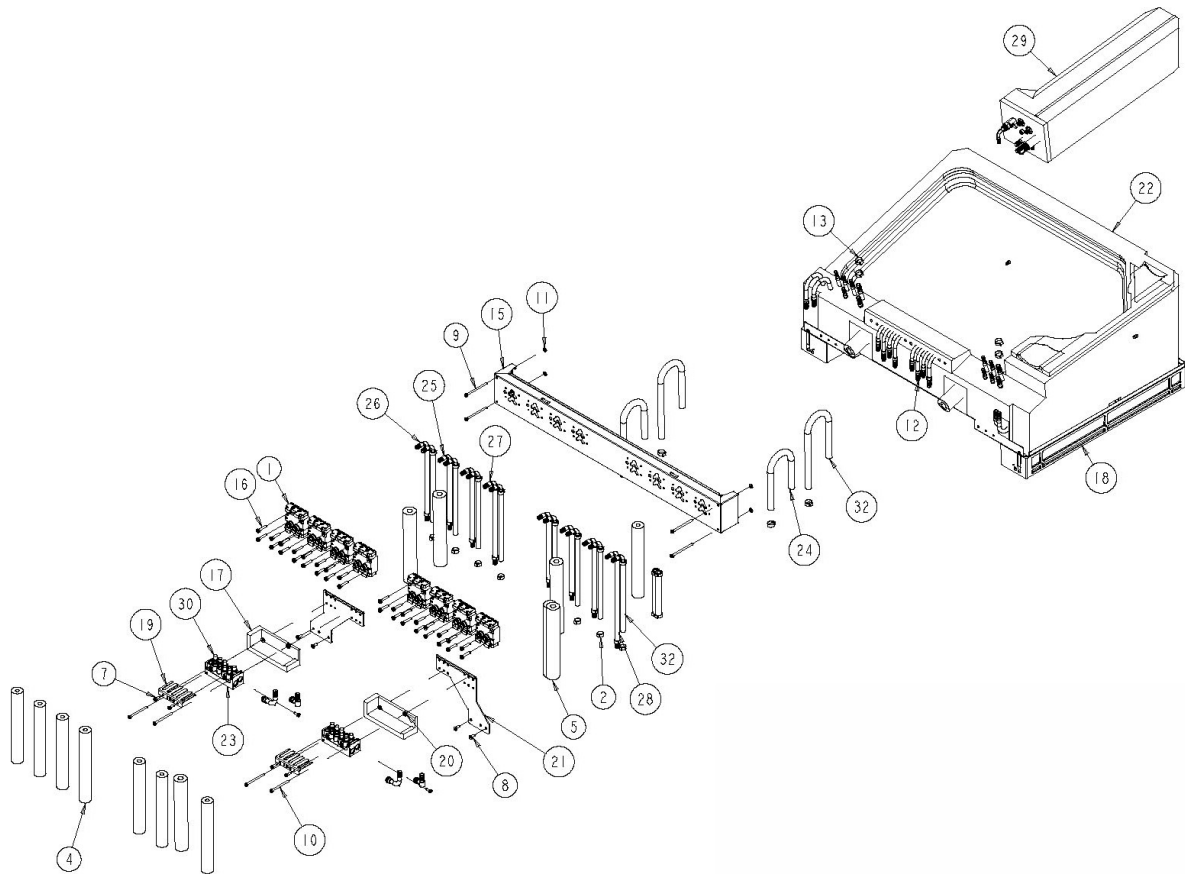


FIGURE 7

Item No.	Part No.	Name
1	1919	Mounting Block Assembly
2	40502	Clamp Oetr 13.3 STPLS #13
3	50126	Insulation Prestite 1/8X2-1/2
4	50163	Armaflex 3/8 ID X 3/8 Wall
5	50249	Tubing Insul. 1/2 ID X 3/8 Wall
6	50326	Insulation Tape 1/8" X 2" X 30'
7	70204	Screw Sm 08 TA TRPH 16 SS
8	70307	Rivet Pop 187D 188-250
9	70555	Screw MA 08-32 TRPH 84 SS
10	71006	Srew MA 08-32 TRPH 72 SS
11	71010	Washer - Captivating #8
12	99250	Cap
13	309853000	Clamp Oetr 618 Open STPLS #15.7
14	321471000	Lube Dow 111 5.3 oz. Tube
15	620042856	Panel Bev. Weldment
16	620700602	Screw TF SM 10-16 RDPH 32 SS

17	620711962	Insulation TFI Manifold
18	620045786	Base Assy ED2XX Jordan
19	620046382	Retainer TFI FITGS
20	620046798	Bushing Hinge Nylon
21	620053839	Bracket Manifold Mtg
22	620407060	Foamed 19 X 28 8FL C-PLT Assy.
23	620407728	Manifold Total Flex, 5 Pos
24	620407917	Water Line Assy, U-Shape 3/8 I.D.
25	620407919	Water Line Assy, 1/4 I.D.
26	620407920	Water Line Assy, 1/4 I.D.
27	620407921	Water Line Assy, 1/4 I.D.
28	620407923	Water Line Assy, 1/4 I.D.
29	620518322	Tank Carb Assy Jordan
30	620519005	Plug Manifold
31	620607436	Tubing Polyethylene .380 X .593
32	620611961	Line Assembly Water
33	620719370	Tube Prod. Syrup JRD

CARBONATOR TANK ASSEMBLY DETAIL

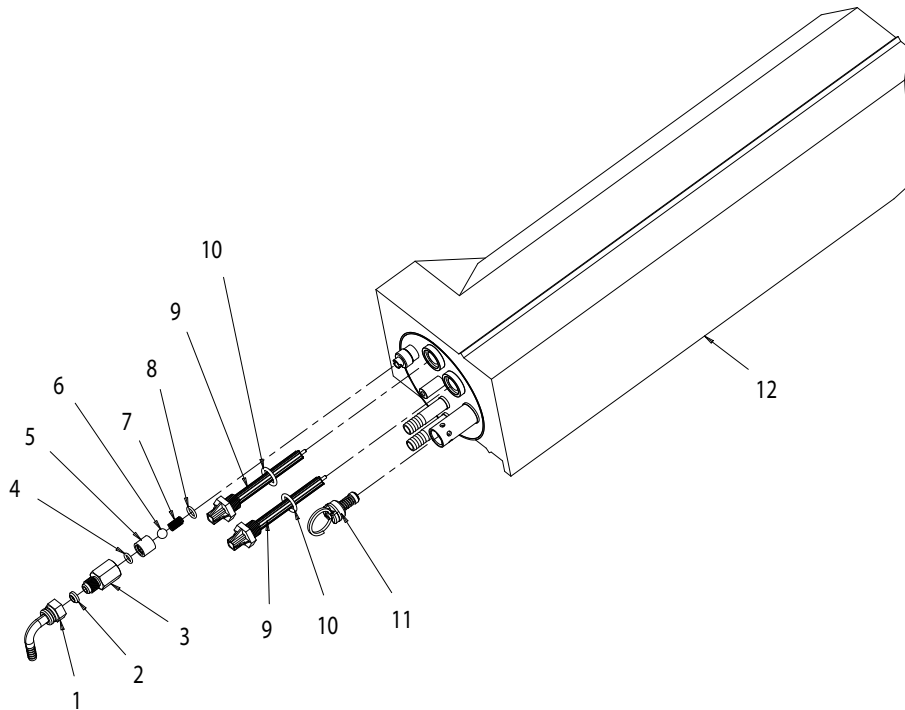


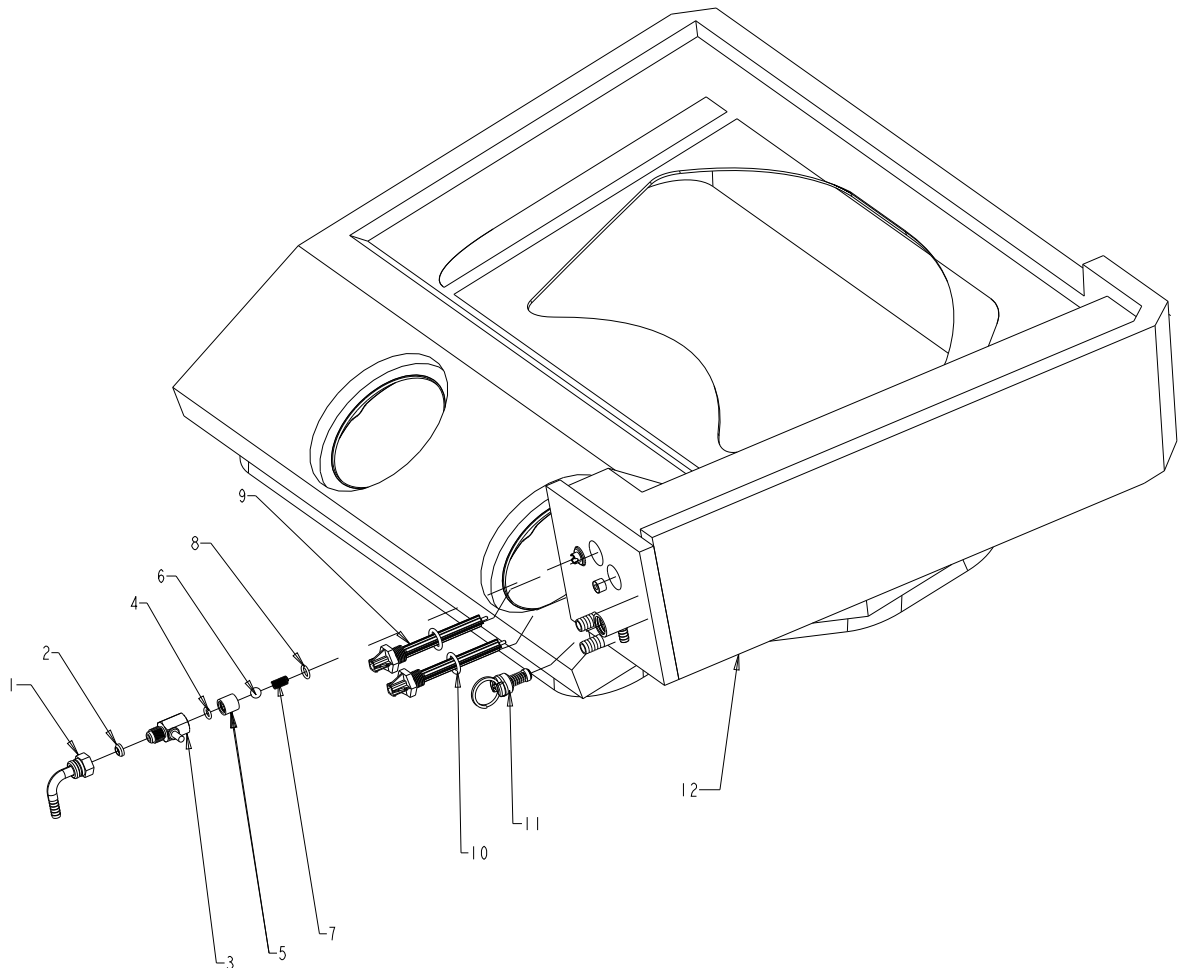
FIGURE 8

Item No.	Part No.	Name
1	77040100	L-Swivel Fitting 7/16"-20 (1/4" FFL) FL X 1/4" Barb, SS
2	178025100	Male Gasket Flare Fitting
3	77401400	Check Valve Fitting
4	398033002	O-Ring .239" ID .070" CS 70 DU BU-N
5	64686	Check Valve, SS
6	64560	Check Valve Ball, .3125" SS
7	64678	Spring

Item No.	Part No.	Name
8	31525012	O-Ring .301" ID .070" CS 60 DU BU-N
9	620607108	Liquid Level Control Probe: Must be purchased together with item 10 (O-ring).
10	31525007	O-Ring .488" ID 103 CS 60 DU BU-N
11	312947000	Blue Relief Valve
12	620518314	Carb Tank Complete Assembly



CARBONATOR TANK ASSEMBLY DETAIL



Item No.	Part No.	Name
1	77040100	L-Swivel Fitting 7/16"-20 (1/4" FFL) FL X 1/4" Barb, SS
2	178025100	Male Gasket Flare Fitting
3	64677001	Check Valve Fitting
4	398033002	O-Ring .239" ID .070" CS 70 DU BU-N
5	64686	Check Valve Sleeve SS
6	64560	Check Valve Ball, .3125" SS

Item No.	Part No.	Name
7	64678	Spring
8	31525012	O-Ring .301" ID .070" CS 60 DU BU-N
9	620607108	Liquid Level Control Probe: Must be Purchased w/ Item 10 (O-Ring)
10	31525007	O-Ring .488" ID 103 CS 60 DU BU-N
11	630001122	Relief Valve
12	620043354	Cold Plate Cover Assy. w/ Carb Tank

PUMP AND MOTOR ASSEMBLY DETAIL

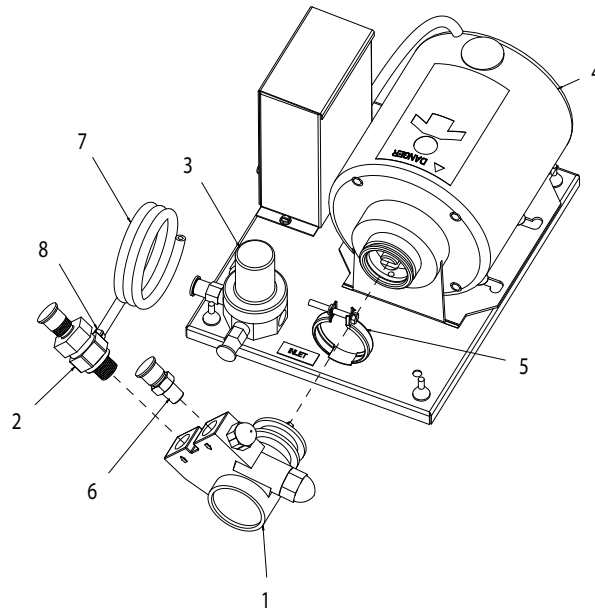


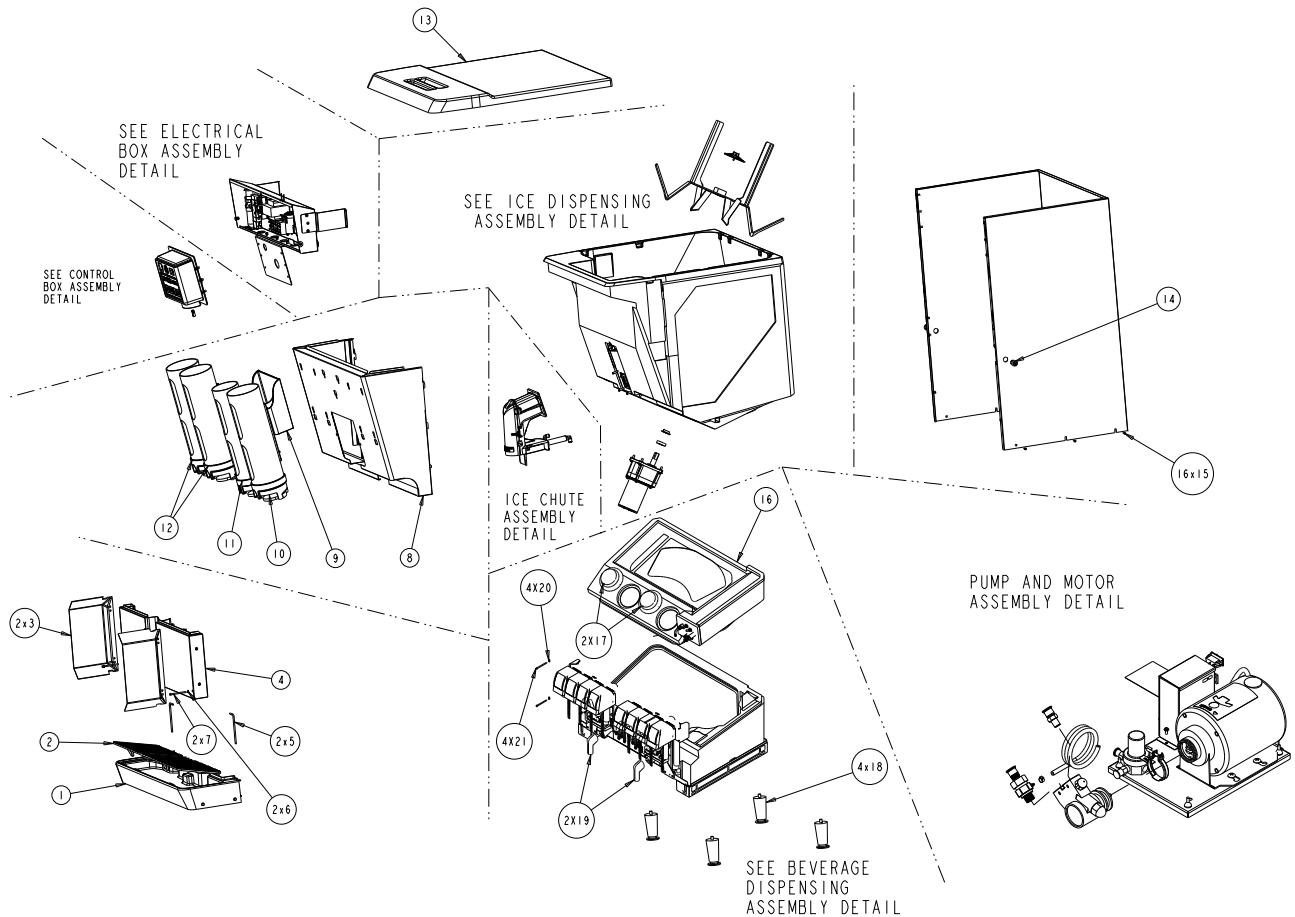
FIGURE 9

Item No.	Part No.	Name
1	60170	Pump, 125GPH
2	620608773	Check Valve 3/8MPT 5/8-18
3	620709802	Pressure Regulator 75 PSIG
4	60030058	Motor Pump

Item No.	Part No.	Name
5	187483000	Clamp
6	111337000	Straight Fitting 3/8 MPT X 3/8 MF, Brass
7	174004000	Polyethylene Tubing .156" ID X .312" OD
8	311527000	Oetiker Clamp #8.7



PROGATE CLADDING COMPONENTS AND OVERALL ASSEMBLY DETAIL



Item No.	Part No.	Name
1	620046285	Drip Tray
2	620708537	Cup Rest
3	52084	Guard Splash R/L
4	620052335	Panel Assembly
5	10145	Drip Tray Mounting Pin
6	71010	Captivating Washer
7	70555	Screw, Stainless
8	620053003	Cover, Weldment
9	620046723	Holder, Straw IDC/Yum Crew Serve
10	620517069	Lid Holder Assy XLRG
11	620517068	Lid Holder Assy SML & MED
12	620517067	Lid Holder Assy Large

Item No.	Part No.	Name
13	620517034	Lid IDC255 Black
14	32977	Keyswitch Assy. (Keys Included): Replacement Keys Only (70739)
15	620705801	Phillips Truss Head Screw, #8-18 X 1/2" Long, Stainless Steel
16	620050537	Foam Cold Plate Cover
17	620516645	Cold Plate Access Cover
18	70970	4" Adj. Leg, 3/8"-16, Black Plastic w/ Nickel Plated Foot
19	53011	Rubber Elbow Fitting for Cold Plate Drain
20	71010	Retaining Washer
21	70555	Machine Screw, #8-32 X 2-5/8" Long, SS



IMI Cornelius Inc.
www.cornelius.com