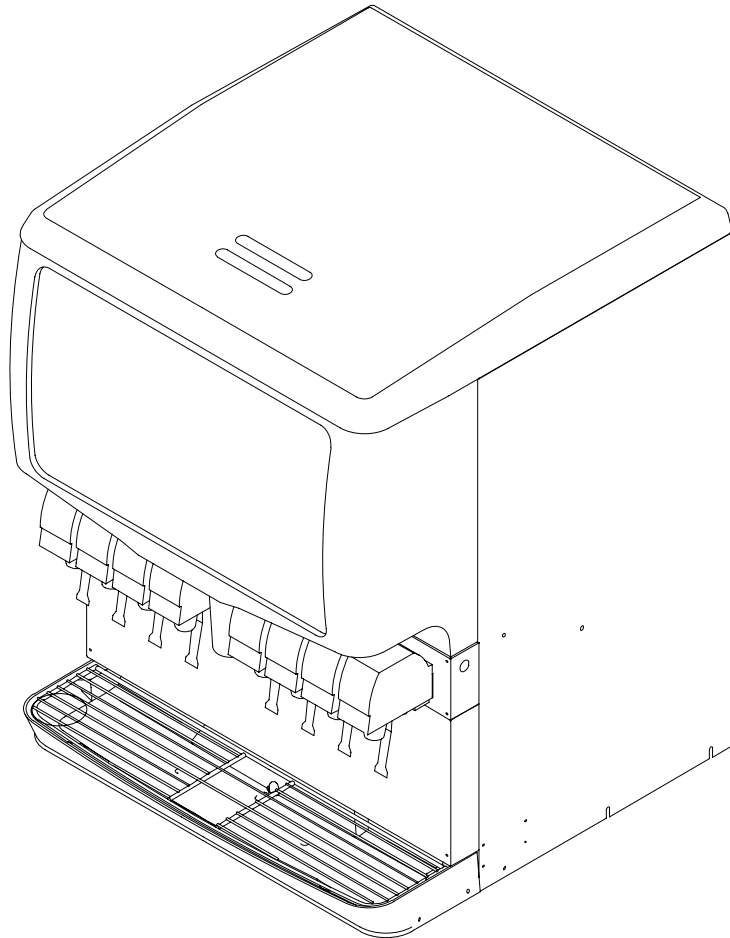




ILLUSTRATED PARTS LIST

ENDURO-200/250



CABINET

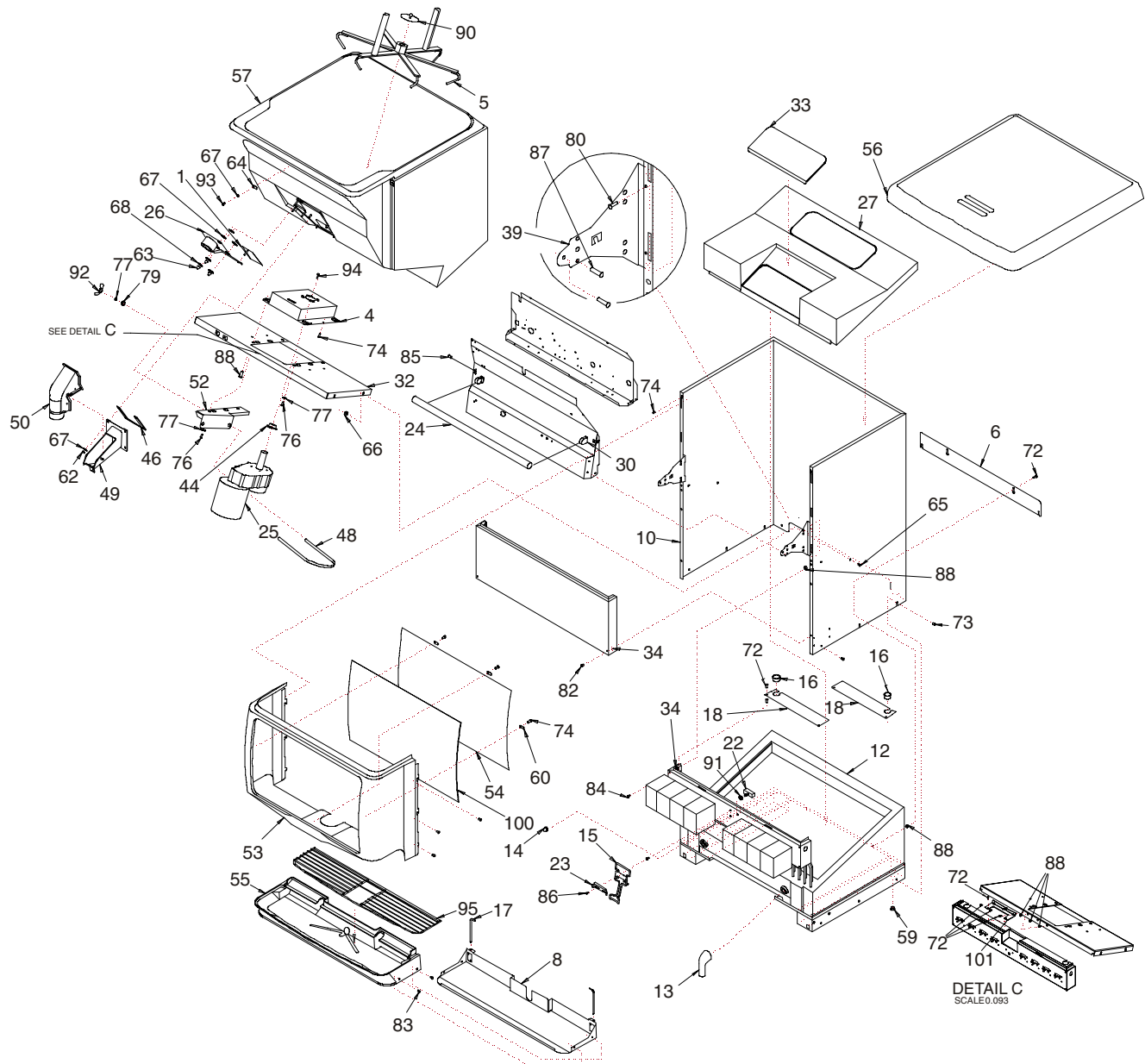


FIGURE 1. CABINET SECTION EXPLODED VIEW

Item No.	Part No.	Name
1	21491	Slide, Gate
2	22081R	Restrictor, Gate
3	Not Used	
4	29541R	Plate, Motor Mount
5	29694	Agitator
6	29555	Cover, Rear Wrapper
7	629080208	Panel, Lower Front (For Drip Tray)
	629080204	Panel, Lower Front (Z Model)
8	620028702	Support, Drip Tray (Use for units built after 11/15/98. Serial number cut off: DF – ZRM1013131 and ED – 62A9841ED343)
	15093	Sink Extension (Use for units built before 11/15/98)

Item No.	Part No.	Name
9	Not Used	
10	29547	Cabinet
11	Not Used	
12	Contact Sales	Panel/Cold Plate/Valve Ass'y
13	53011	Fitting, Cold Plate
14	31007	Boot, Switch
15	15500	Dispense Lever, Short (Cup Activated)
	15488	Dispense Lever, Long (Cup Activated)
	15502	Push Lever Ice Dispense
16	50767	Snap Bushing
17	10145	Pin, Drip Tray
18	15090	Baffle, Beverage Panel
19	Not Used	
20	Not Used	
21	30794	Agitator Motor Heater 120 Volt
	32826	Agitator Motor Heater 220-240 Volt
22	02070	Dispense Switch Kit (Includes switch #14, boot #22, spacer #91)
23	27107	Retainer, Ice Dispense lever
24	31928	Bulb, Florescent
25	620314922	Agitator Motor 120 Volt (Use for units beginning with serial number 62A0540ED248)
	629088531	Agitator Motor Kit Replacement (Use for units prior to serial number 62A0540ED248)
	33404	Agitator Motor 220-240 Volt
26	32954	Solenoid Ass'y 120 Volt
	33409	Solenoid Ass'y 220-240 Volt
27	53268	Cover, Foamed Cold Plate
28	Not Used	
29	Not Used	
30	620302501	Electrical Box Ass'y, 120V (ED 200 Models)
	620302502	Electrical Box Ass'y, 120V (ED 250 Models)
	620310201	Electrical Box Ass'y, 220-240V (ED 200 Models)
	620310202	Electrical Box Ass'y, 220-240V (ED 250 Models)
31	Not Used	
32	29542	Bracket, Motor Mount
33	53255	Cover, Access (Cold Plate)
34	71010	Washer, Captivating No. 8
35	Not Used	
36	Not Used	
37	Not Used	
38	Not Used	
39	620019701	Hinge Gusset
40	Not Used	
41	Not Used	
42	Not Used	
43	Not Used	
44	53199	Seal, Motor
45	Not Used	
46	51891	Gasket, Gate
47	***51908	Plug
48	71025	Strap, Motor, 220-240V
	620516432	Strap, Motor, 120V
49	620500901	Ice Chute
50	53168	Ice Chute Cover
51	Not Used	

Item No.	Part No.	Name
52	15132	Motor Mount, 220-240V
	620052843	Motor Mount, 120V
53	53001	Merchandiser, Gray (ED250)
	53000	Merchandiser, Gray, (ED200)
	52912	Merchandiser, Black, (ED250)
	52911	Merchandiser, Black, (ED200)
	15754	Merchandiser, S.S., (ED250)
	15755	Merchandiser, S.S., (ED200)
	620011505	Merchandiser, S.S., (For Lid and Straw Holder ED250)
	620011509	Merchandiser, S.S., (For Lid and Straw Holder ED200)
	620011506	Merchandiser, S.S., (For Medallion ED250)
	620011510	Merchandiser, S.S., (For Medallion ED200)
	620011507	Merchandiser, S.S., (For Low Ice Light ED250)
	620011511	Merchandiser, S.S., (For Low Ice Light ED200)
54	52950	Panel, Inner, ED250
	52949	White Lens, ED200
55	53211	Drip Tray, Gray, Insulated
	53210	Drip Tray, Black, Insulated
56	53018	Lid, Dispenser, Gray
	52909	Lid, Dispenser, Black
57	52960	Hopper Assy, Insulated (ED250)
	53292	Hopper Foamed Assy, Non Coldplate (ED250)
	52916	Hopper Assy, Insulated (ED200)
	53290	Hopper Foamed Assy, Non Coldplate, Insulated (ED200)
58	Not Used	
59	52967	Plug, Foot
60	52972	Tab, Retaining
61	Not Used	
62	70016	Hex Nut, No. 10-32
63	70017	Hex Nut, No. 10-32, Nyloc
64	53299	Tab, Retaining
65	70242	Screw, No. 10-32 By 3/8-In. Long
66	70015	Hex Nut, No. 10-32, Keps
67	70056	Washer, No. 10
68	70067	Washer, 7/32 I.D. x 7/8 O.D. x 3/64 Thk Plated
69	Not Used	
70	Not Used	
71	Not Used	
72	70171	Screw, No. 8-32 By 3/8-In. Long
73	70178	Screw, No. 8-32 By 1/2-In. Long
74	70204	Screw, No. 8 By 1/2-In. Long
75	Not Used	
76	71033	Screw, 3/8-16 By 3/4-In. Long
77	70068	Washer, 3/8 I.D. x 11/16 O.D. x .070 Thk
78	Not Used	
79	71061	Washer, 7/16 I.D. x 1 1/8 O.D. x .063 Thk
80	70320	Pop Rivet, 1/8 Dia.
81	70341	Spring, Motor Heater
82	71006	Screw, No. 8-32 By 1 1/8-In. Long
83	70478R	Clip, Push-on
84	70555	Screw, No. 8-32 By 2 5/8-In. Long
85	620022801	Brace, Reflector
86	620701601	Sheet Metal Screw, No. 10 By 1/2-In. Long
87	70456	Pop Rivet, 3/16 Dia.
88	70959	Hex Nutsert, No. 8-32

Item No.	Part No.	Name
*89	70970	4" Black Plastic Leg (Sold individually)
90	15087	Retainer, Agitator
91	70847	Spacer, Switch
92	71059	Wing Nut, 3/8-16
93	71089	Shoulder Screw, No. 8-32
94	71028	Shoulder Screw, 1/4-20
95	71039	Cup Rest
	71094	Cup Rest Optifill (slanted) 29.1 x 17.5
*96	51288	Adapter, 1-In. Barb By 3/4 MPT (For Drip Tray Drain)
*97	50952	Adapter, 3/4 Soc By 3/4 FPT (For Drip Tray Drain)
*98	70750	Hose Clamp (For Drip Tray Drain)
*99	620702201	Brush, Cold Plate Cleaning
*100	92080	Generic Graphics, ED250 15.083 x 24.794 (3 Cups Refreshing)
	92079	Generic Graphics, ED200 15.083 x 24.794 (3 Cups Refreshing)
		Contact Sales for all other graphics.
101	620045417	Support Beverage Panel
*	32977	Keylock Switch w/ Keys
*	70739	Key (Marked D001)
*	08052	Splashguard Kit (2 clear side guards)
*	33666	Low Ice Indicator Light
*	31001	Thermostat

NOTES: *NOT SHOWN
*****FOR 220-240V MODELS, 51908 PLUG REPLACED BY**
620303001 PUSH-BUTTON SWITCH ACTUATOR AND
620303002 SWITCH BLOCK

ELECTRICAL BOX ASSEMBLY

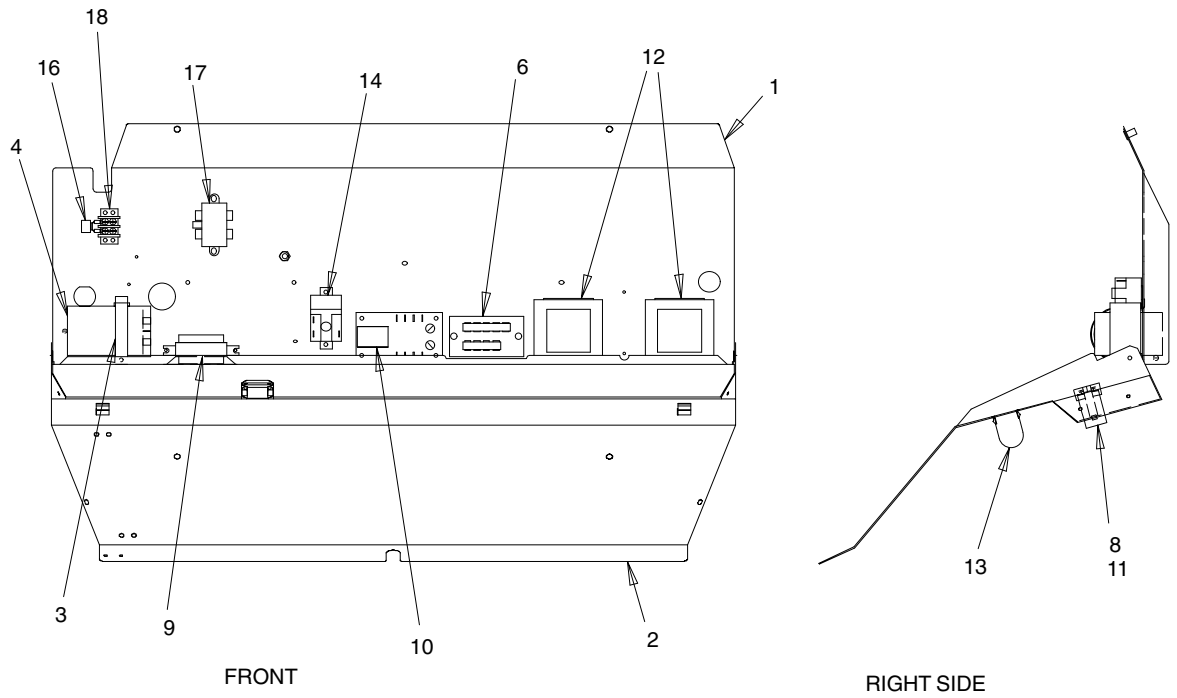


FIGURE 2. ELECTRICAL BOX ASSEMBLY

Item No.	Part No.	Name
1	620022001	Electrical Box (ED250)
	620020902	Electrical Box (ED200)
2	620022101	Reflector Panel (ED250)
	620020901	Reflector Panel (ED200)
3	620021101	Clamp, Capacitor, 220–240V
4	33160R	Capacitor, Agitator Motor, 220–240V
5	30995	Power Cord, 120 Volts
	620302901	Power Cord, 220-240 Volts
6	30960	Terminal Board, 120 Volts
	31107	Terminal Board, 220-240 Volts
7		Not Used
8	31620	Starter
9	31621	Ballast, 120 Volts
	33662	Ballast, 220-240 Volts
10	629087448	Agitation Timer Kit, 120 Volts
	629087451	Agitation Timer Kit, 220-240 Volts
11	620302201	Socket, Starter
12	32682	Transformer, 120 Volts
	32829R	Transformer, 220-240 Volts
13	620302101	Lampholder
14	620306601	Relay, Start, 220-240 Volts
15		Not Used
16	620304601	Varistor, 220-240 Volts
17	620307301	Filter, 220-240 Volts
18	32244	Terminal Strip, 220-240 Volts

SOLENOID ASSEMBLY

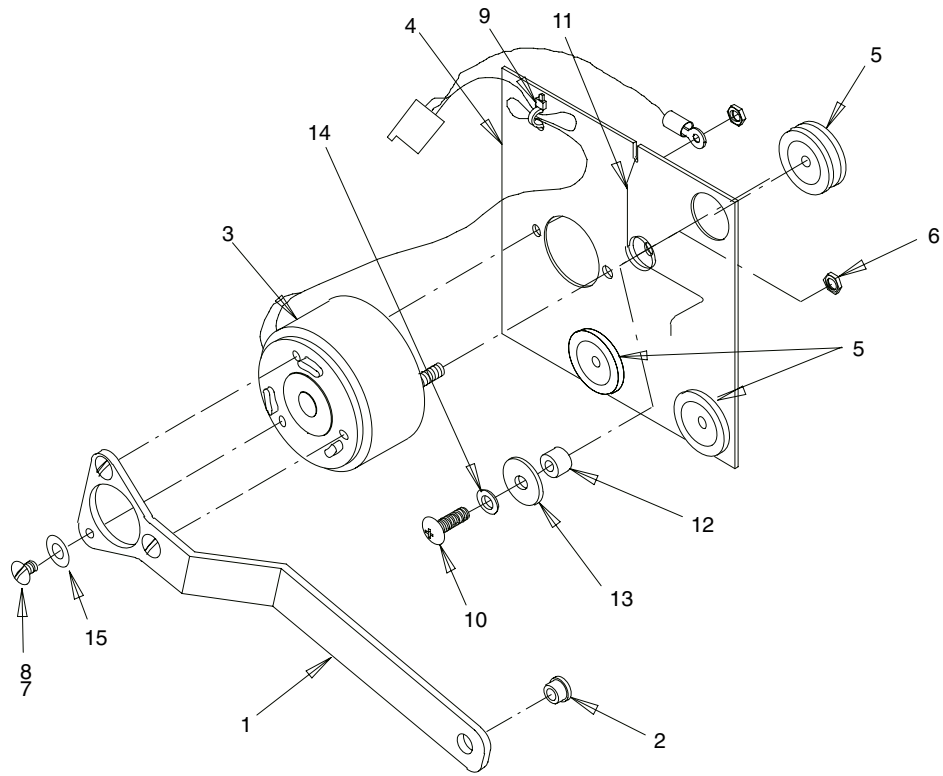


FIGURE 3. SOLENOID ASSEMBLY

Item No.	Part No.	Name
1	28173	Arm, Gate Lift
2	50754	Bearing, Gate Arm
3	32957	Solenoid, 120 Volts
	33397	Solenoid, 220-240 Volts
4	28172	Plate, Solenoid Mounting
5	50752	Isolator
6	70015	Hex Nut, No. 10-32
7	51689	Locktite
8	70162	Screw, No. 8-32 By 1/4-In. Long
9	50705	Tie Cable
10	70165	Screw, No. 8-32 By 5/8-In. Long
11	71007	Spring, Solenoid Arm
12	51348	Spacer
13	70067	Washer, .218 I.D. By .875 O.D.
14	70057	Lockwasher, No. 10
15	70052	Flatwasher, No. 8
*	70485	Gate Slide Spring (Attaches to gte lift arm on Solenoid Assy. Need qty 2.)

NOTE: *NOT SHOWN

DRAIN

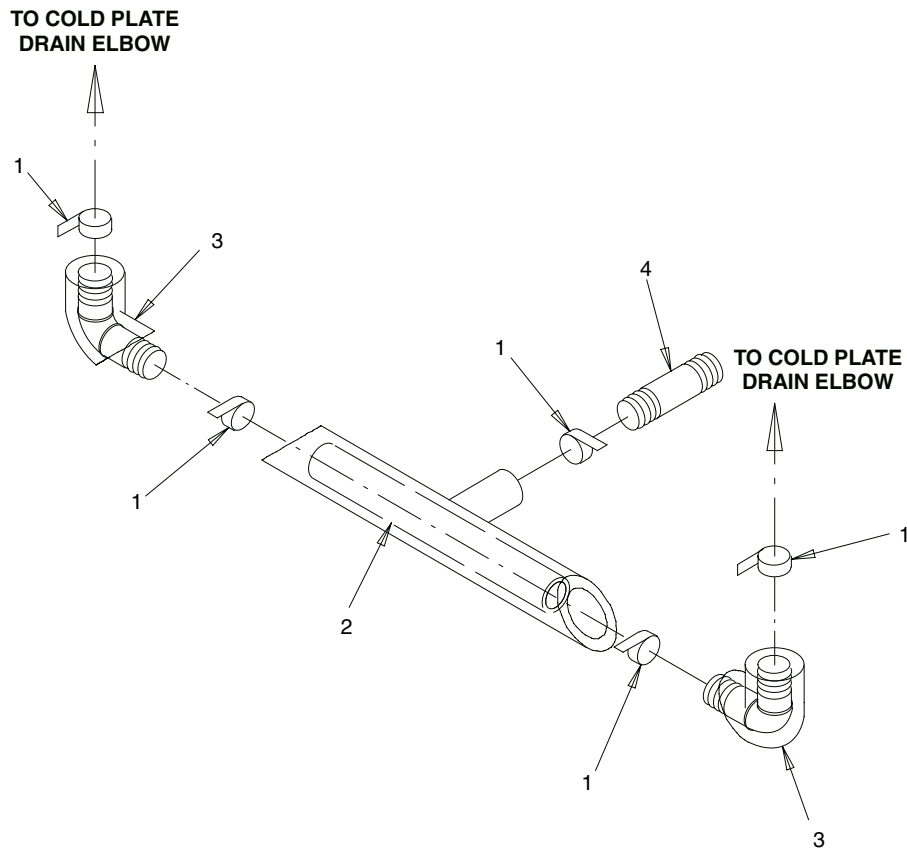


FIGURE 4. DRAIN FOR Z STYLE UNITS WITH COLD PLATES

Item No.	Part No.	Name	Qty
1	70750	Hose Clamp	5
2	53169	Drain Tube	1
3	51280	Elbow	2
4	53293	Coupler	1
*	629080104	Kit Sink to Z Style DF200/250 (Z = no drip tray or cup rest. This kit removes tray and cup rest. Allows unit to sit on counter with built in tray and cup rest.)	
*	629080304	Kit Z Style to Sink DF200/250 Gray (Z = no drip tray or cup rest. This kit adds drip tray and cup rest to unit.)	
*	629080303	Kit Z Style to Sink DF200/250 Black (Z = no drip tray or cup rest. This kit adds drip tray and cup rest to unit.)	

NOTE: *NOT SHOWN

COMPONENTS FOR FLAVOR UNITS

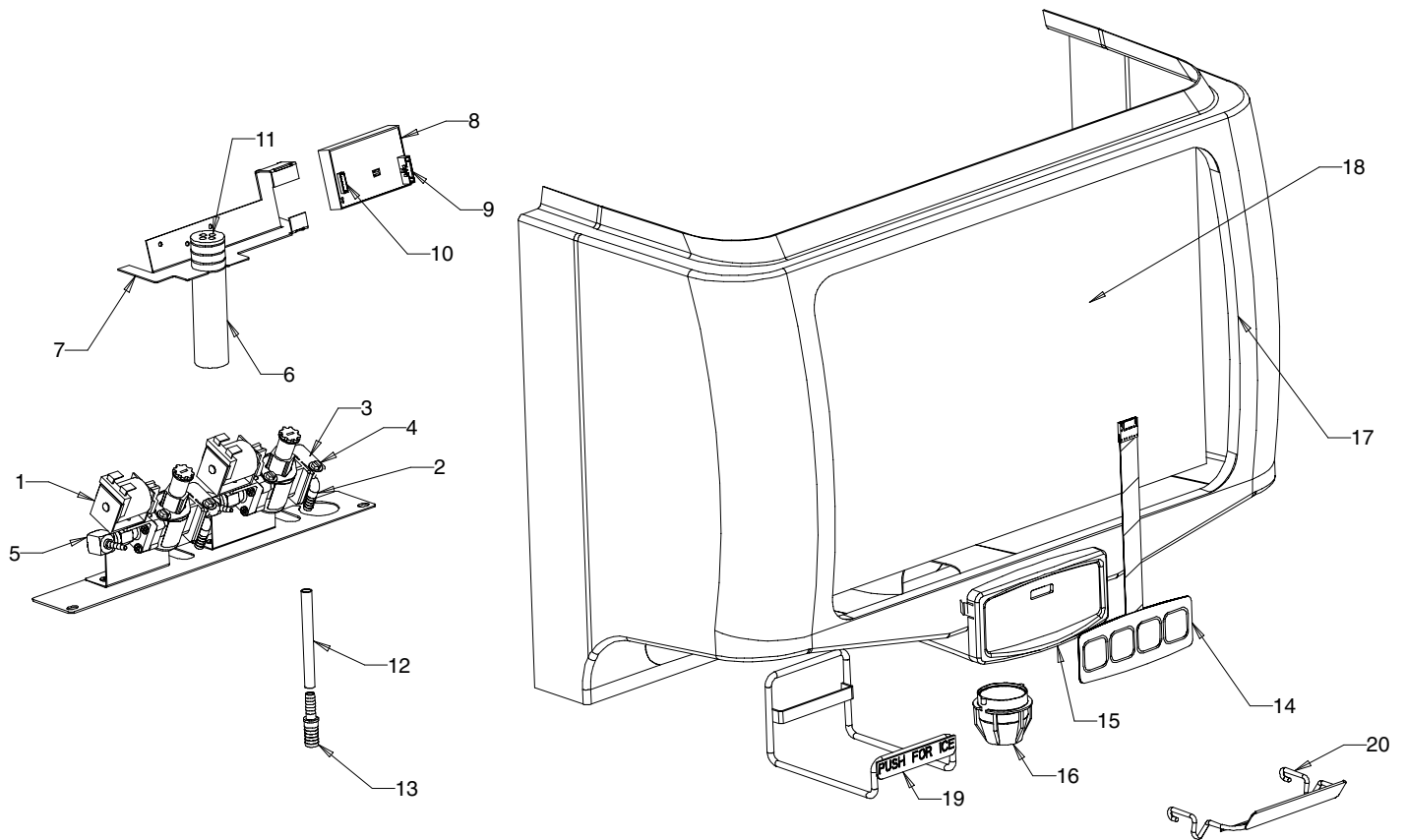


FIGURE 5. COMPONENTS FOR FLAVOR UNITS

Item No.	Part No.	Name
1	2487	Flow control assembly
2	620709068	Fitting elbow ¼ barb
3	620046335	Retainer valve
4	319941000	Screw tr 08–32 hxws
5	620718932	Fitting 90 swivel 1/8 barb
6	620715821	Inner nozzle
7	620052042	Nozzle bracket 200/250
8	620314823	PC Board
* 9	620313657	Jumper PCB to keypad 4 fl
	620313658	Jumper PCB to keypad 2 fl
* 10	620316443	Harness solenoid 4 fl
	620316442	Harness solenoid 2 fl
* 11	770000119	Tubing syrup 1/8 id
12	50299	Tubing bev 265 id x 465 od
13	77040700	Fitg splicer ¼ x 3/8
14	620313239	Membrane switch 4 button
15	620516527	Housing – keypad/nozzle
16	1945	Outer nozzle
17	620519217	Merch FlavorBlast, ED200 blk
	620519212	Merch FlavorBlast, ED200 gry
	620519213	Merch FlavorBlast, ED250 blk
	620519214	Merch FlavorBlast, ED250 gry
18	620920066	Graphic FlavorBlast, ED200
	620920067	Graphic FlavorBlast, ED200
19	620709313	Ice lever FlavorBlast, push bar
20	620516221	Splashshield FlavorBlast

NOTE: *NOT SHOWN

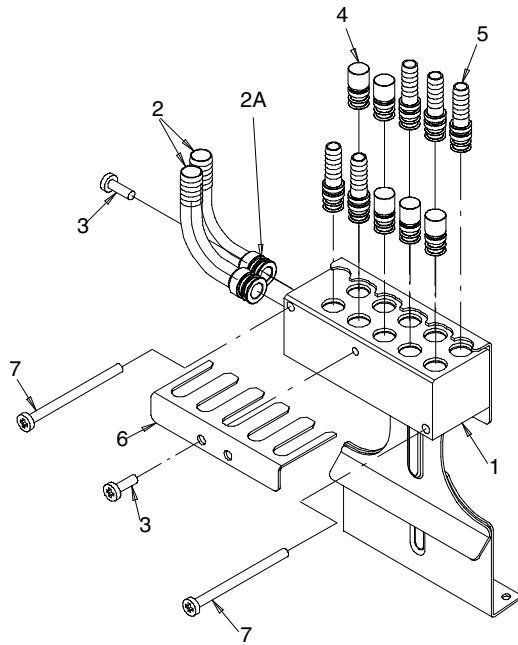


FIGURE 6. WATER MANIFOLD ASSEMBLY

Item No.	Part No.	Name
1	620407726	Manifold Flex
2	620709065	Fitg Elbow 1/2 X 3/8 Brb
2A	100057	O-ring
3	70204	Screw Sm #8 X 1/2
4	620519005	Plug 3/8 w/O-ring
5	620709066	Fitg Straight 3/8 X 1/4 Brb
6	620046316	Retainer Clip
7	620706632	Screw TRPH #8-18 X 2 Waxed
*	620711913	Insulation Block, RH
*	620711914	Insulation Block, LH
*	620715408	Hook and Loop Fastener

NOTE: *NOT SHOWN