



# ILLUSTRATED PARTS LIST

## IDC 2XX

### CLADDING COMPONENTS AND OVERALL ASSEMBLY DETAIL

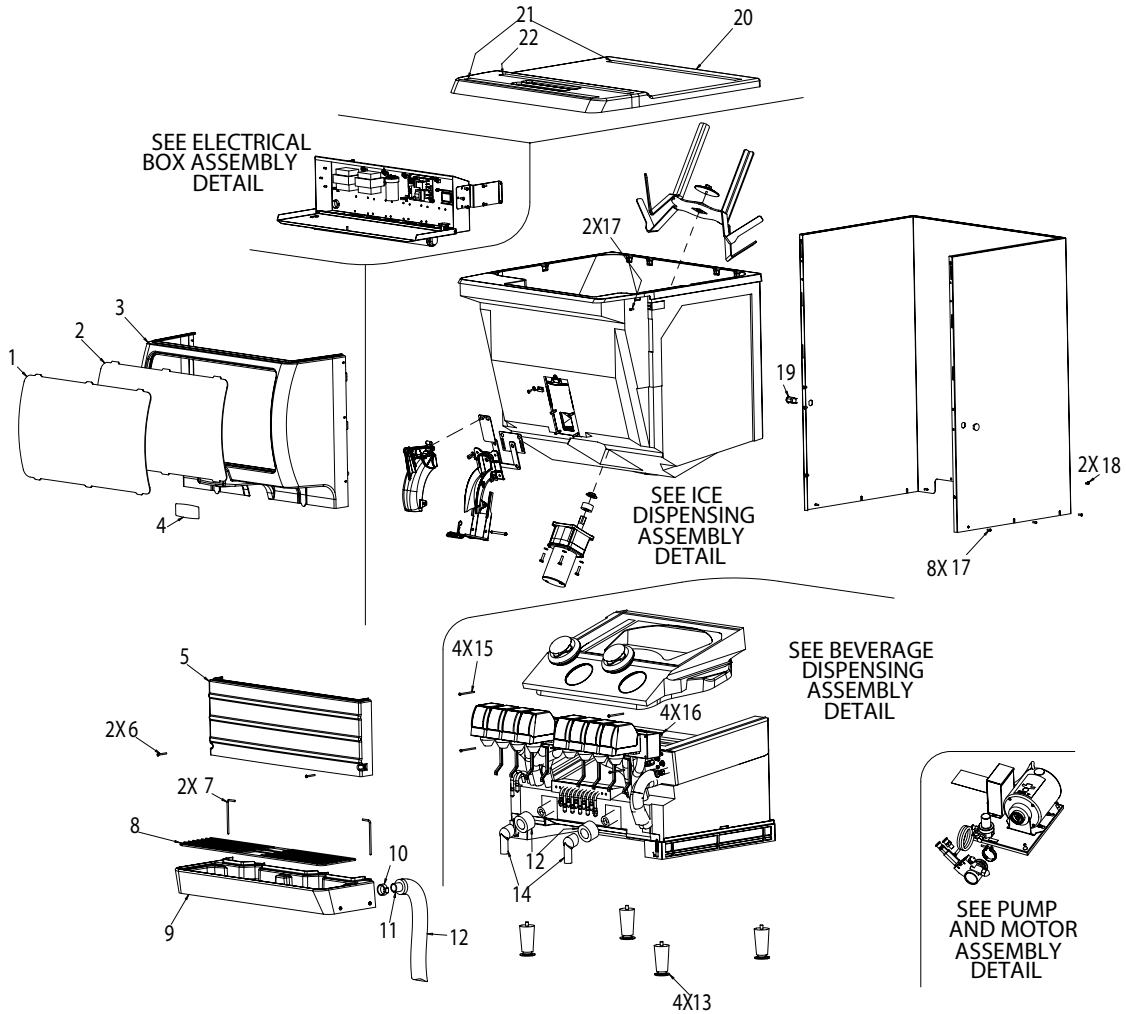


FIGURE 1



Item No.	Part No.	Name
1	620920086	Merchandiser Graphic
2	620913803	Merchandiser Lens
3	620044217	Merchandiser Assembly
4	620920955	Ice Label
5	620052764	Splash Panel Assembly
6	70171	Machine Screw, #8-32 X 3/8" Long, Stainless Steel
7	10145	Drip Tray Mounting Pin
8	620708534	Cup Rest
9	620046247	Drip Tray
10	70750	Hose Clamp
11	51774	Clear Vinyl Tubing 1" ID X 1/8" Wall: Supplied in 6' lengths.
12	50335	Armaflex Insulation 1-3/8" ID X 3/8" Wall: Supplied in 6' lengths.
13	70970	4" Adjustable Leg, 3/8"-16, Black Plastic with Nickel Plated Foot

Item No.	Part No.	Name
14	53011	Rubber Elbow Fitting for Cold Plate Drain
15	70555	Machine Screw, #8-32 X 2-5/8" Long, Stainless Steel
16	71010	#8 Retaining Washer
17	620705801	Phillips Truss Head Screw, #8-18 X 1/2" Long, Stainless Steel
18	70171	Machine Screw, #8-32 X 3/8" Long, Truss Pan-Head, Stainless Steel
19	32977	Keyswitch Assembly (Keys Included): Replacement keys only (70739)
20	620517034	Lid (Requires Items 21 & 22)
21	91957	Lid Warning Label
22	620708523	Lid Manual Fill Caution Label

## ELECTRICAL BOX ASSEMBLY DETAIL

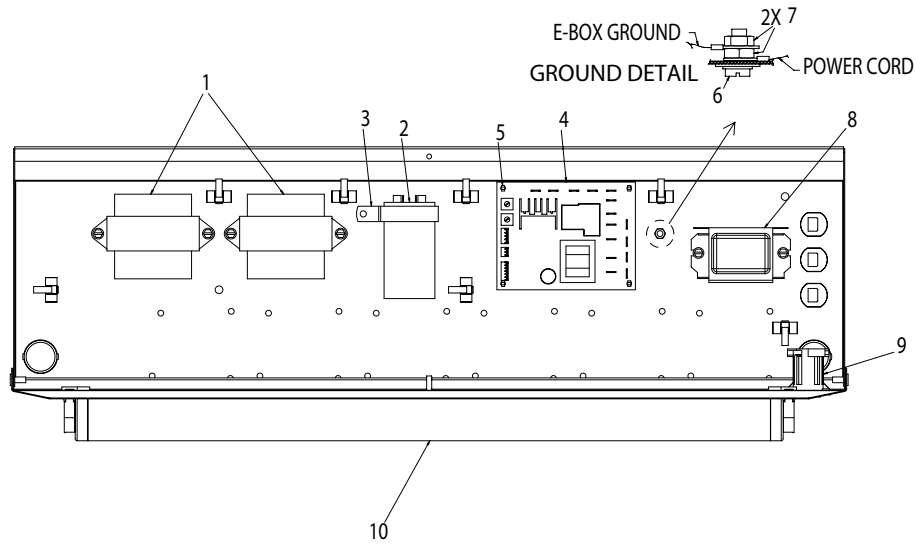


FIGURE 2

Item No.	Part No.	Name
1	620710707	Transformer
2	560002379	Capacitor 20 MFD 230V 50Hz
3	620717212	Capacitor Mount
4	620314825	Main Electrical Board
5	325925	Electrical Board Support
6	70120	Machine Screw,#10-32, Ground
7	70015	HEX Nut 10-32 KEPS
8	31621	Ballast

Item No.	Part No.	Name
9	31620	Starter
10	31928	Fluorescent Bulb 23"
11	30794	Agitator Motor Heater
12	620316445	Agitator Motor Harness
13	620316456	Water Pump and Motor Harness
14	30995	Power Cord
15	620316455	Liquid Level Control Probe Harness
16	620316457	Ice Chute Position Sensor Harness

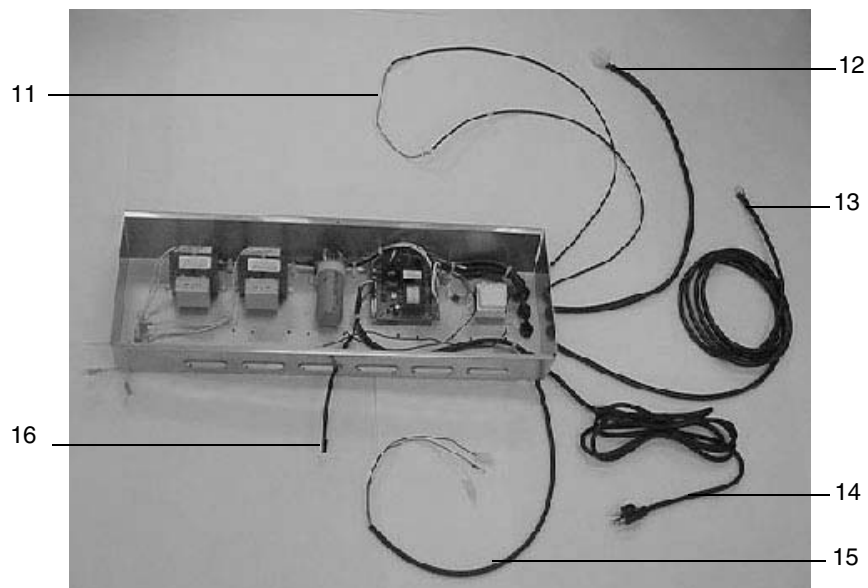
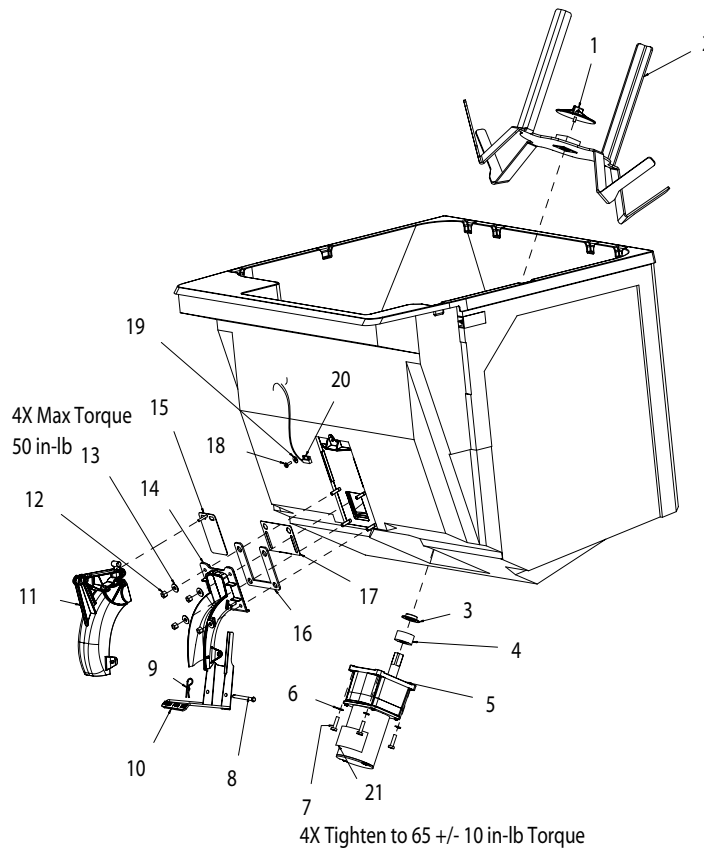


FIGURE 3

## ICE DISPENSING ASSEMBLY DETAIL



**FIGURE 4**

Item No.	Part No.	Name
1	15087	Agitator Retainer
2	620042723	Agitator
3	620711105	Gear Box Shaft Seal
4	52876	Gear Box Shaft Gasket
5	620314923 620314913	Service Motor (Without Gear Box) Motor and Gear Box Assembly
6	186294000	Lock Washer .262" ID X .489" OD X .062" Thick, SS
7	620720590	Self-Locking Socket Head Cap Screw, 1/4-20, 1" Long, SS
8	620051502	Clevis Pin, .250" Dia X 2.75" Long, SS
9	620709432	Hairpin Cotter, SS
10	620518517 620709311	Ice Chute Push Bar Ice Chute Lever (not shown)

Item No.	Part No.	Name
11	620518523	Upper Ice Chute Assembly
12	620709132	Hex Nut, 1/4-20 Nylock, SS
13	70066	Flat Washer, .265" ID X .750" OD X .055" Thick, SS
14	620518513	Lower Ice Chute
15	620048706	Ice Gate
16	620710113	Ice Gate Gasket
17	620046504	Ice Gate Restrictor Plate
18	0704105	Machine Screw, #08-32 Truss Phillips Head, 1/2" Long, SS
19	V25248	Flat Washer, #10 SS
20	620314527	Ice Chute Position Sensor
21	90432	Heater Caution Label

## BEVERAGE DISPENSING ASSEMBLY DETAIL

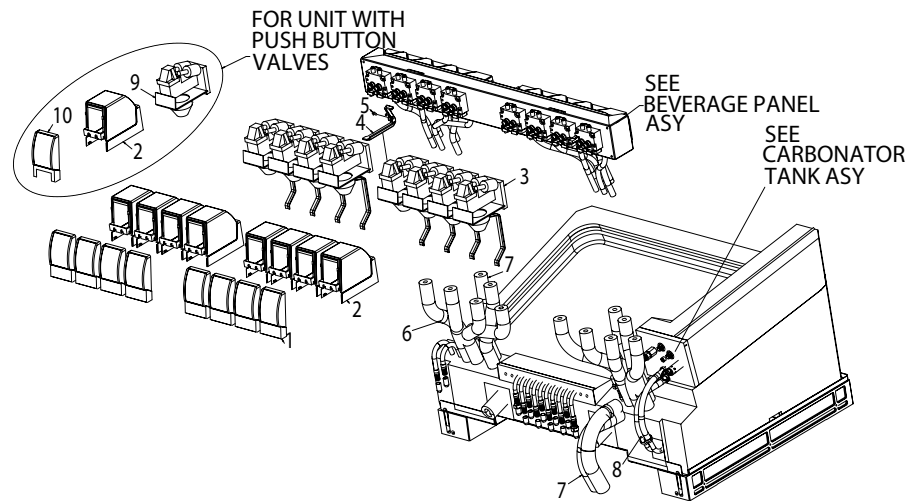


FIGURE 5

Item No.	Part No.	Name
1	1956	Front Valve Cover (For lever valves only. Use item 10 for push button valves)
2	1950	Back Valve Cover
3	561000155	UFB Lever Valve Assembly
4	1935	Water Only Lever Bar
5	560001788	Sheetmetal Screw, #6-32 X 3/16" Long Pan Head Slotted, Stainless
6	50163	Armaflex Insulation 3/8 ID X 3/8 Wall: Supplied in 6' Lengths

Item No.	Part No.	Name
7	50249	Armaflex Insulation Tubing 1/2 ID X 3/8 WALL: Supplied in 6' lengths.
8	620607436	Polyethylene Tubing, .380" ID X .593" OD: Supplied in 12' Lengths
9	561000161	UFB Push Button Valve Assembly
10	1951	Front Valve Cover (For push button valve only. Use Item 1 for Lever Valves)

## BEVERAGE PANEL ASSEMBLY DETAIL

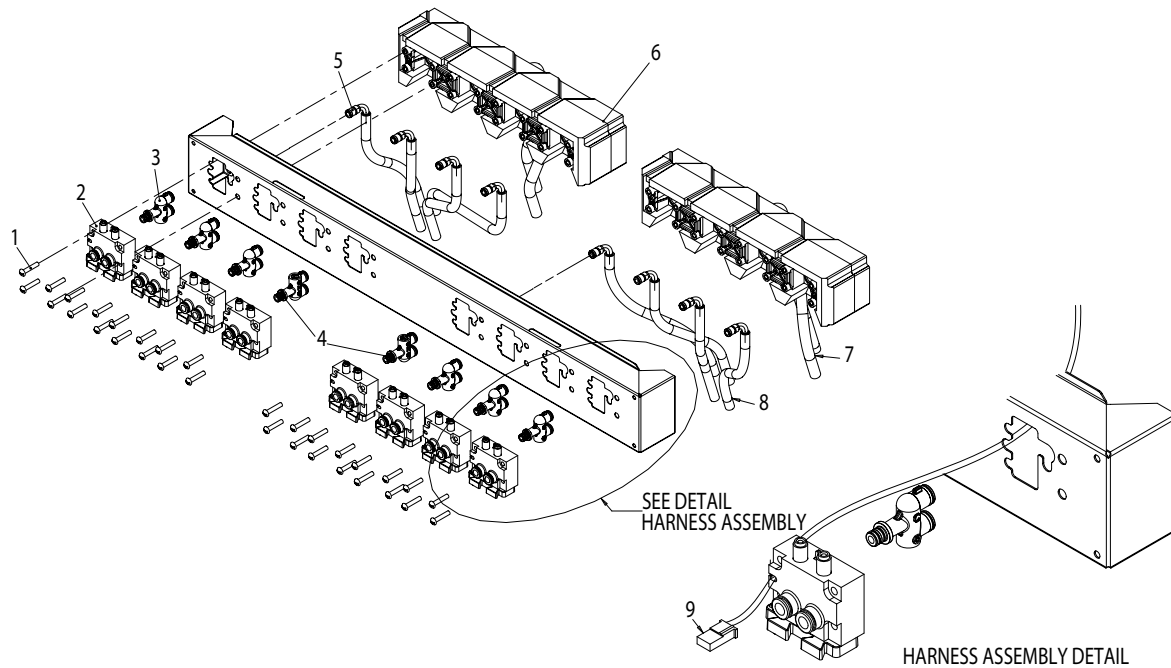


FIGURE 6

Item No.	Part No.	Name
1	70692	Machine Screw, #10-32 X 1" Long Round Phillips Head, Stainless Steel
2	1919	UF1 Valve Back Block Assembly
3	620718989	Y-Fitting, Carbonated Water
4	620718990	Y-Fitting, Non-carbonated Water
5	620709068	Elbow Dole Fitting, 1/4 Barb with O-ring

Item No.	Part No.	Name
6	620407772	Totalflex Manifold Assembly 4 Valve, One Side, (5 Valve 620407770)
7	620607436	Polyethylene Tubing, .380" ID X .593" OD: Supplied in 12' Lengths
8	50299	Polyethylene Tubing, .265" ID X .465" OD: Supplied in 12' Lengths
9	31827	Valve Power Harness



## CARBONATOR TANK ASSEMBLY DETAIL

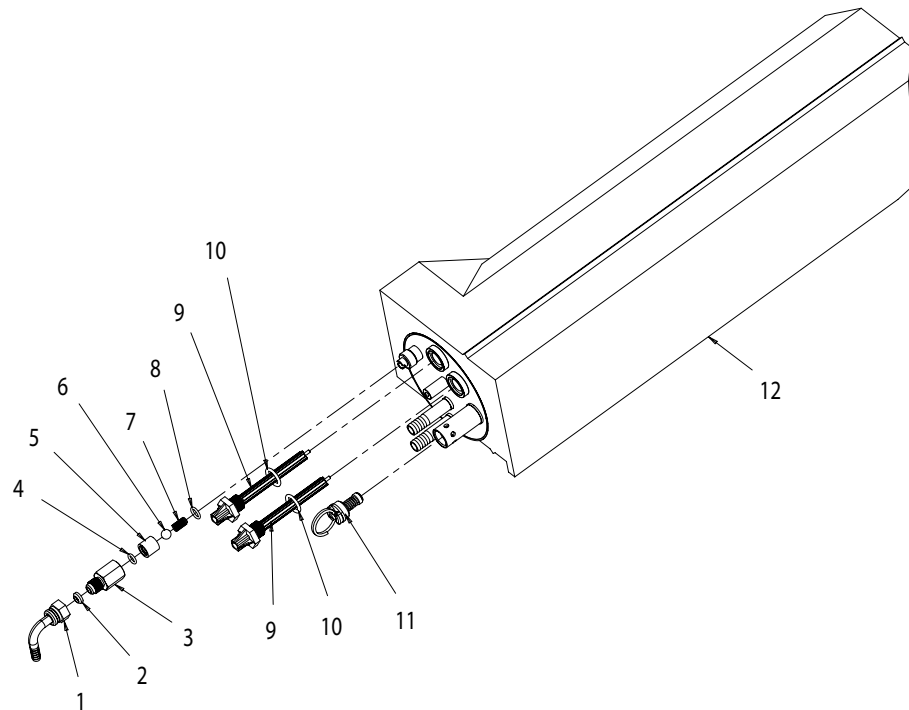


FIGURE 7

Item No.	Part No.	Name
1	77040100	L-Swivel Fitting 7/16"-20 (1/4" FFL) FL X 1/4" Barb, SS
2	178025100	Male Gasket Flare Fitting
3	77401400	Check Valve Fitting
4	398033002	O-Ring .239" ID .070" CS 70 DU BU-N
5	64686	Check Valve, SS
6	64560	Check Valve Ball, .3125" SS
7	64678	Spring

Item No.	Part No.	Name
8	31525012	O-Ring .301" ID .070" CS 60 DU BU-N
9	620607108	Liquid Level Control Probe: Must be purchased together with item 10 (O-ring).
10	31525007	O-Ring .488" ID 103 CS 60 DU BU-N
11	312947000	Blue Relief Valve
12	620518314	Carb Tank Complete Assembly

## PUMP AND MOTOR ASSEMBLY DETAIL

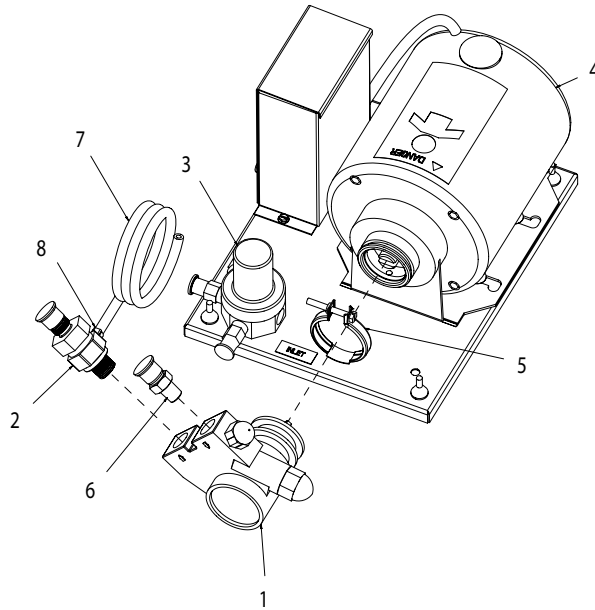


FIGURE 8

Item No.	Part No.	Name
1	60170	Pump, 125GPH
2	620608773	Check Valve 3/8MPT 5/8-18
3	620709802	Pressure Regulator 75 PSIG
4	60030058	Motor Pump

Item No.	Part No.	Name
5	187483000	Clamp
6	111337000	Straight Fitting 3/8 MPT X 3/8 MF, Brass
7	174004000	Polyethylene Tubing .156" ID X .312" OD
8	311527000	Oetiker Clamp #8.7