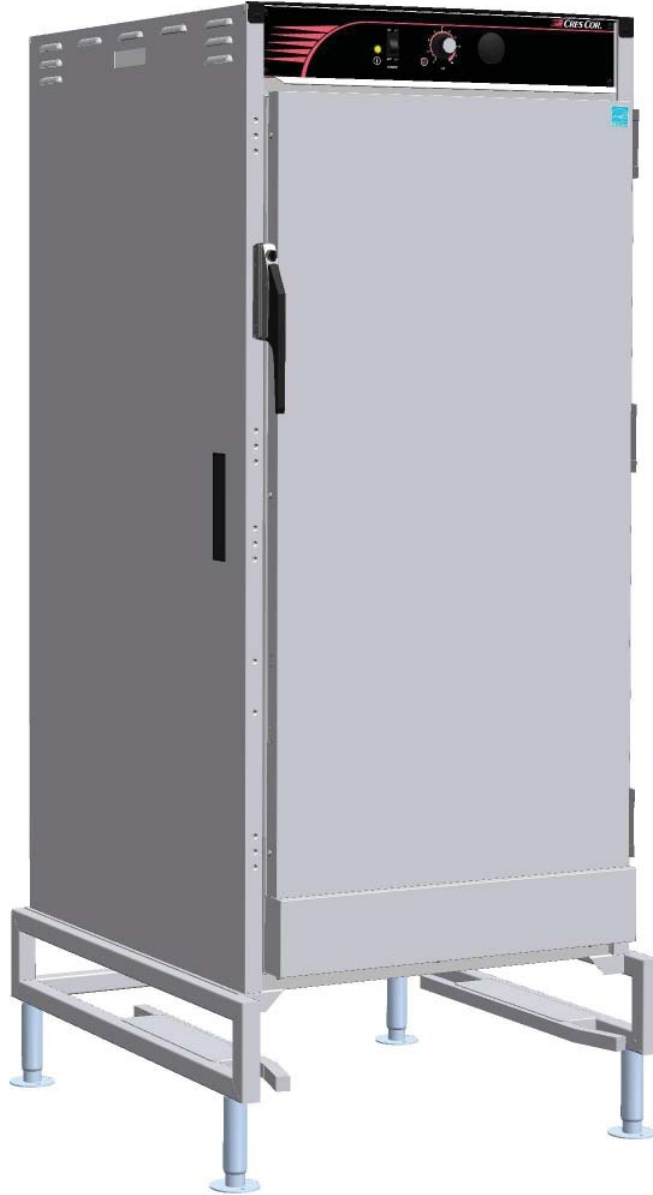


OPERATING and MAINTENANCE INSTRUCTIONS
Models: H137SRRC2020C Companion Holding Cabinet



Models: H137SRR SERIES for use with Convotherm C2020 Roll-In Rack (not included).

Cabinet model number: _____

Cabinet serial number: _____

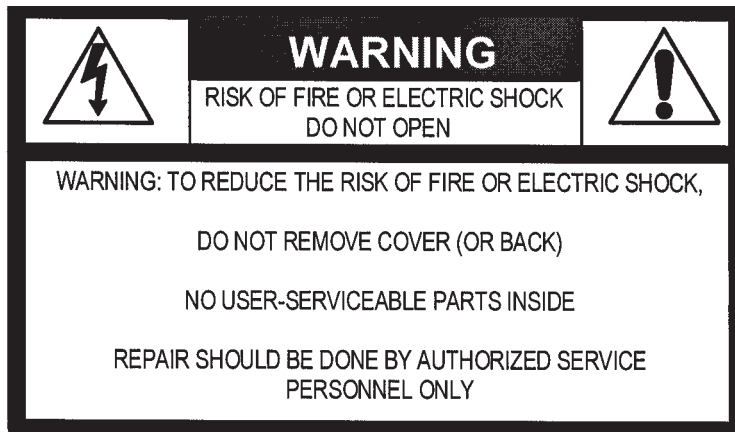
Authorized Service Agency: _____

Ph: _____ Fax: _____

Keep this manual for future reference.

TABLE OF CONTENTS

SUBJECT	PAGE
INSTALLATION INSTRUCTIONS	1
Illustration (Leg Adjustment), Figure 1	1
OPERATING INSTRUCTIONS	2
Illustration (Control Panel), Figure 2	2
MAINTENANCE INSTRUCTIONS	
How to Clean the Unit	3
Replacement Parts (Cabinet)	4
Illustration (Cabinet Parts).....	5
Replacement Parts (Power Unit)	6
Trouble Shooting Guide	7
Wiring Diagram.....	8
How to Reverse the Door Opening.....	9
NOTES.....	10
SERVICE POLICY and AGENCY LIST	FL-1400

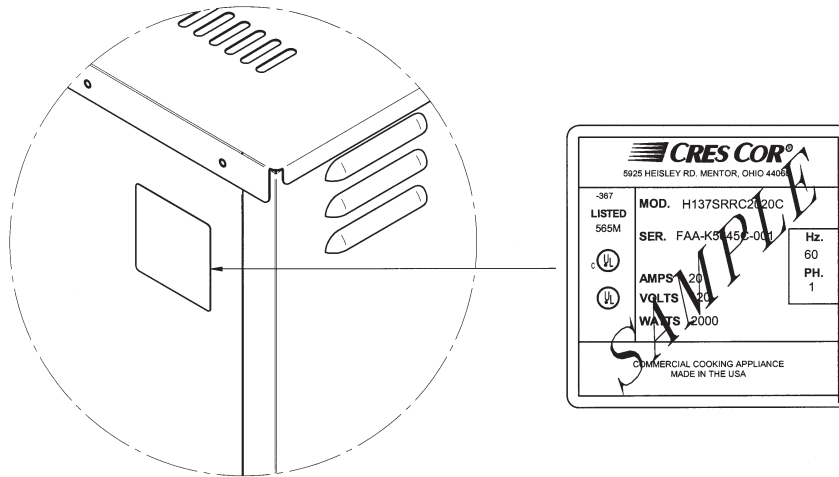


OPERATING and MAINTENANCE INSTRUCTIONS

Models: H137SRRC2020C Companion Holding Cabinet

IDENTIFYING YOUR CABINET:

Look for this label on the back of your cabinet. This information is needed when calling for questions or service.



UPPER RIGHT CABINET CORNER

ELECTRICAL SPECIFICATIONS:

Model No.	Volts	Watts	Amps	Hertz	Phase	NEMA
H137SRRC2020C	120	1920	16.0	60	1	5-20P
H137SRRC2020C208	208	2000	10.0	60	1	6-15P
H137SRRC2020C240	240	2000	8.6	60	1	6-15P

Note: The above model numbers are basic models. They may be followed by letters: L, M, 2M, D, or ending with S.

HOW TO INSTALL UNIT:

1. Remove all paper and packing material from inside of cabinet.
2. Remove protective paper and vinyl material from outside surfaces of cabinet.
3. Place the cabinet in a well-ventilated area.
4. Place cabinet on level floor. (For cabinets with legs, adjust the legs of the cabinet to ensure proper fit of rack into cabinet. See Fig. 1)
5. Plug cord end into proper wall outlet.

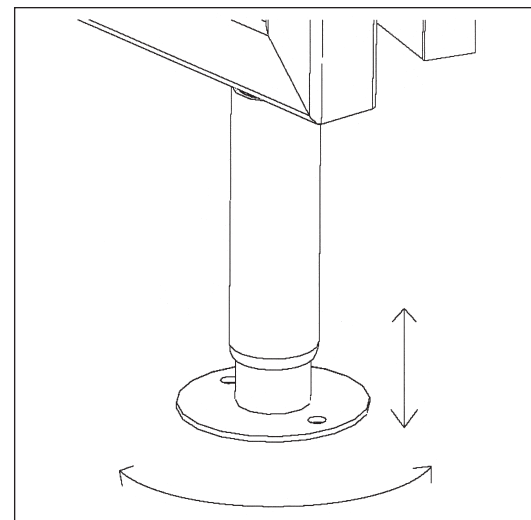


FIGURE 1
Leg Adjustment

Companion Holding Cabinet	FL-2335
Rev. 0 (2/07)	Page 2 of 10

OPERATING and MAINTENANCE INSTRUCTIONS

Models: H137SRRC2020C Companion Holding Cabinet

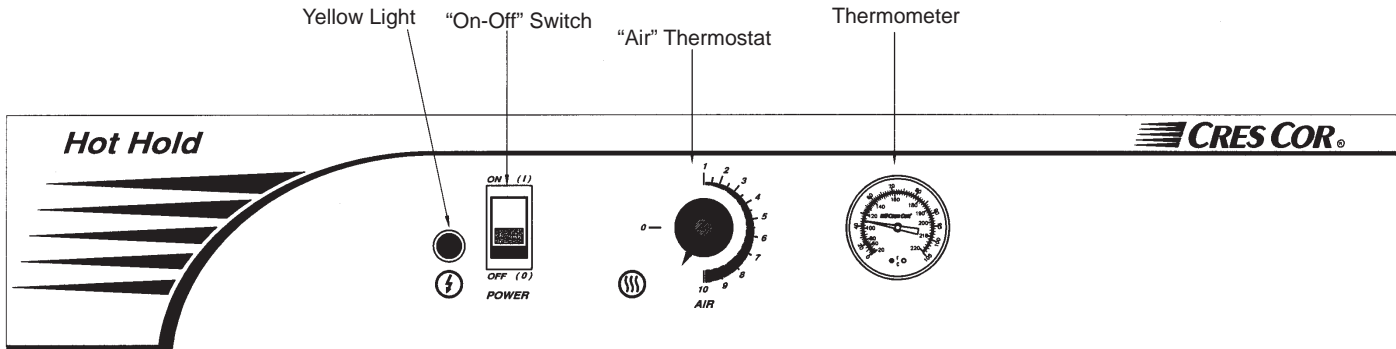


Figure 2

INITIAL OPERATION:

(For first-time operation only)

A new oven needs to “burn off” manufacturing oils and excess adhesive before its first use.

Do NOT load food into oven until this has been done!

1. Turn the *POWER* switch on. The *yellow* light will turn on.
2. Turn the thermostat to #10.
3. Let the unit operate for one hour.
4. Turn unit off and let cool
5. Wipe inside clean with detergent and hot water.

HOW TO START UNIT:

1. Turn the *POWER* switch on. The *yellow* light will turn on.
2. Turn the thermostat to #6-1/2.
3. Preheat cabinet for one (1) hour.
4. Put food into cabinet
5. Turn thermostat to desired setting and close door.

No. 8 setting = approx. 185°F / 85°C

No. 6 setting = approx. 160°F / 71°C

No. 4 setting = approx. 130°F / 54°C

Proper food holding temperature is 140°F / 60°C or higher.

NOTE: The optional digital thermometer display flashes when temperature in center of cabinet is below 140°F (60°C) or above 250°F (121°C). Call the factory if you need different settings.



Air is VERY HOT when door is opened.

TO TURN OFF UNIT:

Turn the *POWER* switch off. The *yellow* light will go out.

OPERATING and MAINTENANCE INSTRUCTIONS

Models: H137SRRC2020C Companion Holding Cabinet


WARNING

BEFORE cleaning the cabinet: **Unplug cord from wall.**

Do NOT hose cabinet with water.

Do NOT get water on controls.

Do NOT use abrasives or harsh chemicals.

Cleaning hints:

1. Wipe up spills as soon as possible.
2. Clean cabinet regularly to avoid heavy dirt build-up.
3. Make a test spot with cleaner.
4. Follow manufacturer's directions on cleaner.
5. Do not mix cleaners.
6. Avoid drips and splashes

HOW TO CLEAN THE UNIT:

	Soil	Cleaner	Method
CABINET Inside and Outside (Stainless Steel)	ROUTINE CLEANING	Soap, Ammonia, or mild *detergent and water.	1. Sponge on with cloth. 2. Rinse with water. 3. Wipe dry.
	STUBBORN SPOTS AND STAINS	Mild abrasive made for stainless steel.	1. Apply with damp sponge or cloth. 2. Rub lightly.
	BURNT-ON FOODS OR GREASE	Chemical oven cleaner for stainless steel.	Follow oven cleaner manufacturer's directions.
	HARD WATER SPOTS and SCALE	Vinegar	1. Swab or wipe with cloth. 2. Rinse and dry.

**Mild detergents include soaps and non-abrasive cleaners.*

Companion Holding Cabinet	FL-2335
Rev. 0 (2/07)	Page 4 of 10



OPERATING and MAINTENANCE INSTRUCTIONS

Models: H137SRRC2020C Companion Holding Cabinet

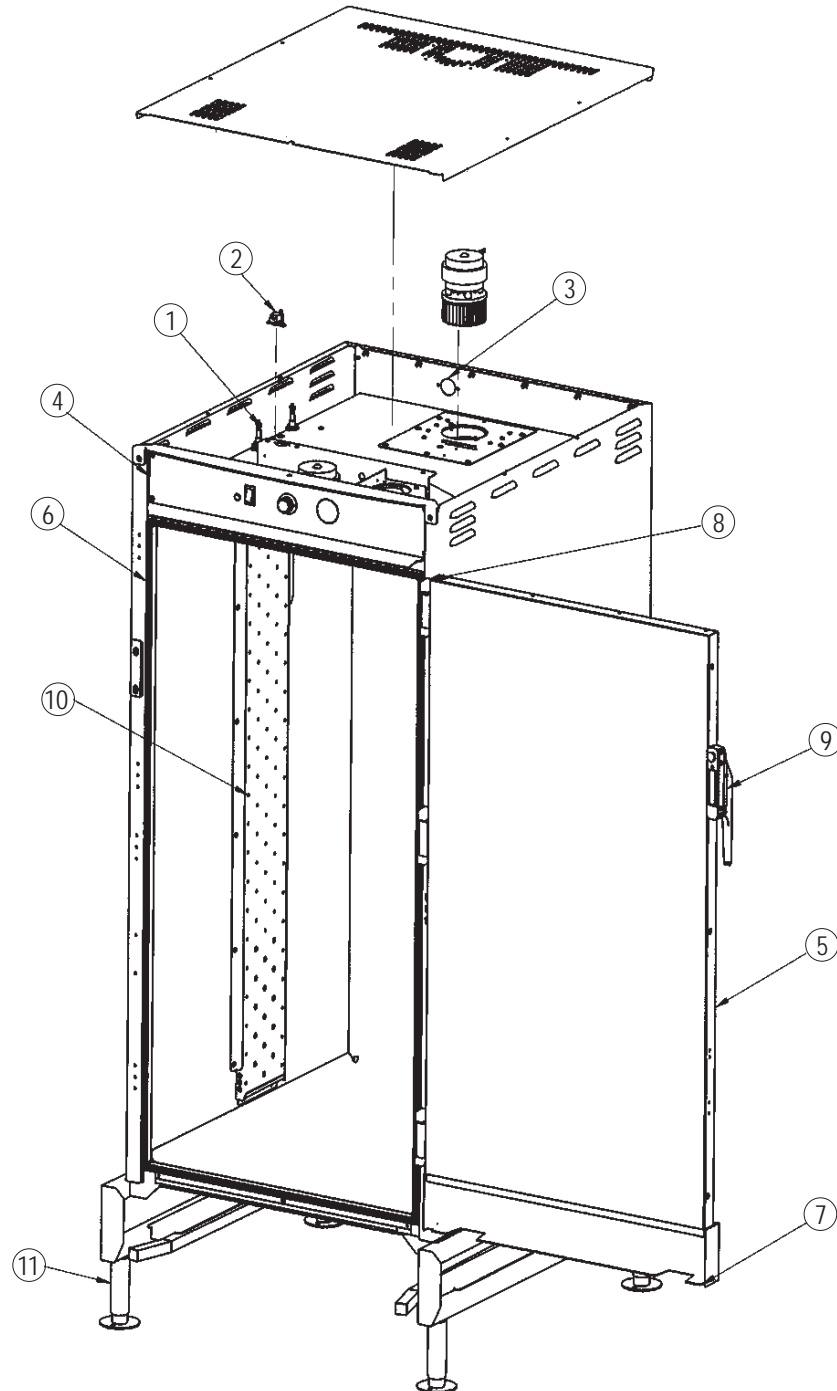
CABINET REPLACEMENT PARTS:

ITEM DESCRIPTION	<u>120V</u>	<u>208V</u>	<u>240V</u>
1 Heater Kit, Air	0811-074	0811-074-02	0811-074-01
2 High Limit	0848-060	0848-060	0848-060
3 Power Cord	0810-065-10	0810-039-02	0810-039-02
4 Power Unit (See Page 7)	0675-067	0675-068	0675-068
5 Door - full, solid	1221-557-K		
-full, w/window	1221-558-K		
-half, solid, top LH, bottom, RH	1221-560-K		
-half, solid, bottom LH, top, RH	1221-559-K		
-half, window, top LH, bottom, RH	1221-561-K		
-half, window, bottom LH, top, RH	1221-562-K		
6 Gasket Kit, Body	0861-175		
7 Gasket Kit, Door	0861-265		
8 Hinge Kit	0519-074-K		
9 Latch Kit	1006-122-01-K		
10 Tunnel	0546-141		
11 Leg, Adjustable	1206-070		
Handle, Pull (Black)	0911-102		

OPERATING and MAINTENANCE INSTRUCTIONS

Models: H137SRRC2020C Companion Holding Cabinet

CABINET REPLACEMENT PARTS:

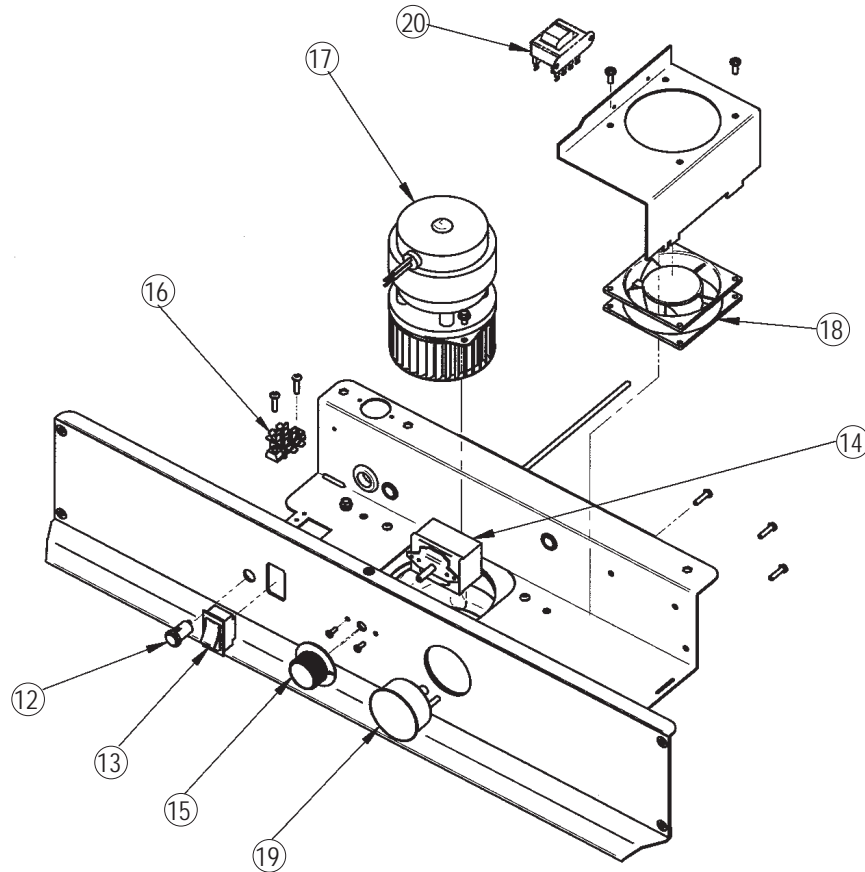


Companion Holding Cabinet	FL-2335
Rev. 0 (2/07)	Page 6 of 10

OPERATING and MAINTENANCE INSTRUCTIONS

Models: H137SRRC2020C Companion Holding Cabinet

REPLACEMENT PARTS FOR THE POWER UNIT:



REPLACEMENT PARTS:

ITEM	DESCRIPTION	<u>120V</u>	<u>208V</u>	<u>240V</u>
	Power Unit	0675-067	0675-068	0675-068
12	Power Light	0766-094	0766-095	0766-095
13	Power Switch	0808-116	0808-116	0808-116
14	Thermostat	0848-062-K	0848-062-K	0848-062-K
15	Knob	0595-061	0595-061	0595-061
16	Terminal Block	0852-093	0852-093	0852-093
17	Blower Kit	0769-180-01-SSK	0769-182-01-SSK	0769-182-01-SSK
18	Vent Fan	0769-165	0769-174	0769-174
19	Thermometer (Analog)	5238-030-K	5238-030-K	5238-030-K
	Thermometer (Digital)	5238-034-K	5238-034-K	5238-034-K
20	Transformer (used with digital thermometer)	0769-159	0769-159	0769-159

OPERATING and MAINTENANCE INSTRUCTIONS

Models: H137SRRC2020C Companion Holding Cabinet

TROUBLE-SHOOTING CHART:

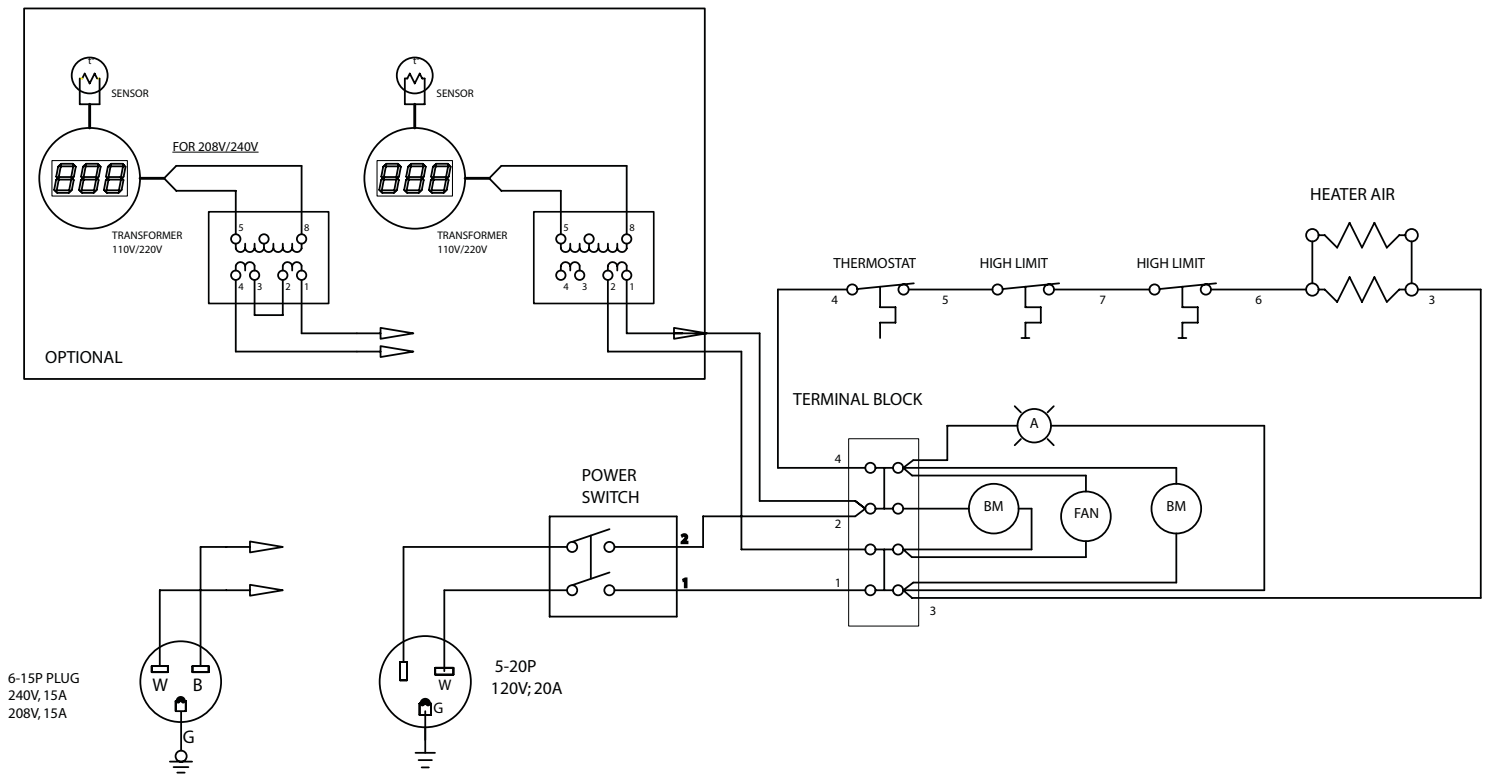
FAILURE	POSSIBLE CAUSE
1. <i>Yellow</i> light at switch does NOT light.	1a. Switch is “OFF”. 1b. Cord unplugged from wall outlet. 1c. Circuit breaker/fuse to wall outlet blown.
2. Unit does not heat.	2a. Thermostat set too low. 2b. Switch is “OFF”.
3. Unit gets too hot or won’t shut off.	4a. Defective electrical parts. UNPLUG UNIT FROM WALL OUTLET.
4. Blower does not work or makes noise.	5a. Defective blower.
5. GFCI device trips.	6a. The insulation inside the heating elements may have absorbed some moisture. This may have occurred if the cabinet has not been used for a long period of time or during shipping and storage of the cabinet. Drain the water pan if needed. Plug the cabinet into a non-GFCI outlet and set the thermostat to No. 10. Let the cabinet run for about 1 hour to dry out the heating elements from any moisture may have been absorbed. If the circuit breaker trips, turn off cabinet, remove cord from power source, and call the Factory Authorized Service Agent. After drying the heating elements, plug cabinet into the GFCI receptacle; the cabinet should run properly. If the GFCI trips, call the factory Authorized service agent.

GFCI (ground-fault circuit interrupter): A GFCI receptacle is a device that de-energizes a circuit when it detects an unsafe flow of current to ground. The intention of a GFCI device is to minimize the potential for an electrical shock

If cause is none of the above, refer to our list of Authorized Service Agencies.

OPERATING and MAINTENANCE INSTRUCTIONS
Models: H137SRRC2020C Companion Holding Cabinet

WIRING DIAGRAM

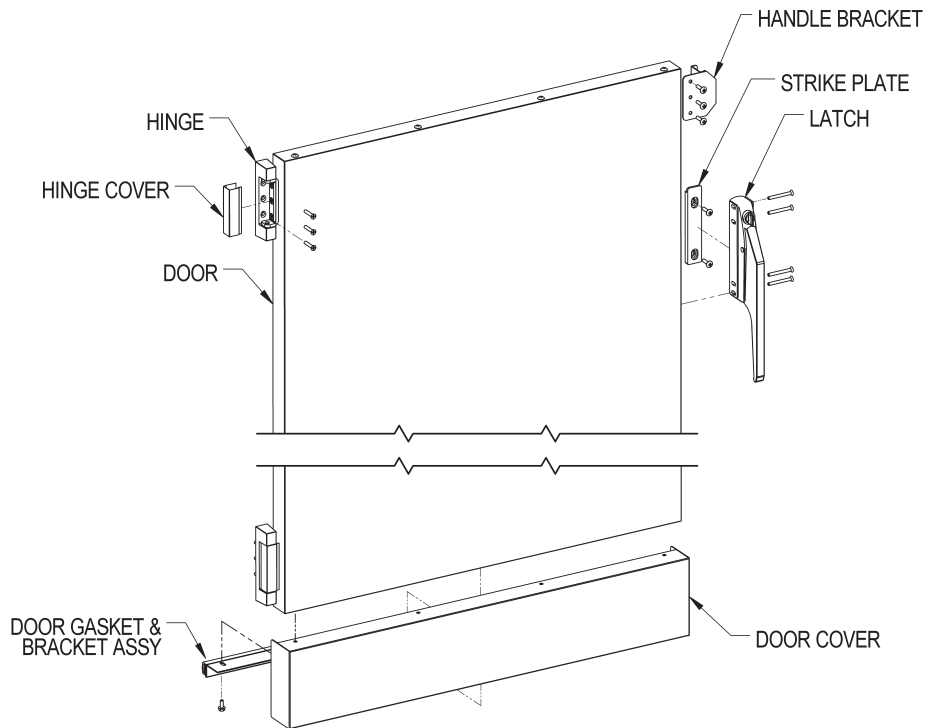


Companion Holding Cabinet	FL-2335
Rev. 0 (2/07)	Page 9 of 10

OPERATING and MAINTENANCE INSTRUCTIONS

Models: H137SRRC2020C Companion Holding Cabinet

HOW TO REVERSE THE DOOR OPENING (Left hinged door shown):



The doors are shipped with the hinges on the right side of the cabinet as standard. The doors on the cabinet are large and may require additional help when changing the hinge direction. Allow the cabinet to cool if the cabinet has been in use.

1. Remove handle bracket and strike plates from cabinet and set aside.
2. Remove hinge covers and set aside.
3. Remove hex screws from door gasket bracket assembly and door cover and set aside.
4. Remove door(s) from cabinet, rotate door(s) 180° and install onto other side of cabinet. For dutch doors, install the bottom door onto the top position and install the top door onto the bottom position on the other side of the cabinet.
5. Remove screws on bottom of (lower) door and install onto top of (upper) door.
6. Install door gasket assembly and door cover onto bottom of (lower) door.
7. For single door, remove latch and rotate 180° and install onto holes on upper half of door. For dutch doors, it is not necessary to change latches.
8. Install handle bracket and strike plates onto other side of cabinet.
9. Adjust hinges, latch(es) and door gasket bracket assembly for proper door seal.
10. Install hinge covers.

