



# 4448N Salad Top

Front-Breathing Self-Contained Salad Top Refrigerated Bases

Project \_\_\_\_\_

Item \_\_\_\_\_

Quantity \_\_\_\_\_

CSI Section 11400

Approved \_\_\_\_\_

Date \_\_\_\_\_

## Models

- 4448N-8 Two section with doors, eight pan capacity
- D4448N-8 Two section with drawers, eight pan capacity
- 4448N-12 Two section with doors, twelve pan capacity
- D4448N-12 Two section with drawers, twelve pan capacity



4448N-12

## Standard Features

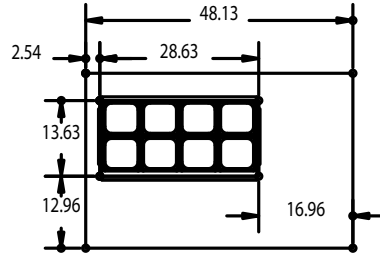
- Patented air screen ensures product stays cold without drying it out
- All 4400 Series units are 100% front breathing, which allows the unit to be pushed against a wall or built into a cabinet or an existing line up
- Durable, rugged stainless steel sides, top and front
- Features Delfield's exclusive ABS interior (on sides). ABS is extremely durable - it won't dent, chip or corrode and is backed by a limited lifetime warranty
- Delfield supplies 1/6 size pans and positive placement adapter bars for top opening
- Salad top refrigerators are standard with 10" wide, dishwasher safe polyethylene cutting board treated with antimicrobial agent

- "D" prefix models feature Delfield's new drawer system. Drawers are backed by a 10-year warranty on the track assembly
- Environmentally friendly R404A refrigerant
- High density foamed in place environmentally friendly, Kyoto Protocol Compliant, Non ODP (Ozone Depletion Potential), Non GWP (Global Warming Potential) polyurethane keeps energy costs low
- Black recessed quick grip handle
- Standard on 5" casters for easy cleaning and installation
- 7' cord and plug supplied
- One epoxy coated wire shelf standard, installed per door section
- ACT solid state electronic control
- One year parts and 90 day labor standard warranty

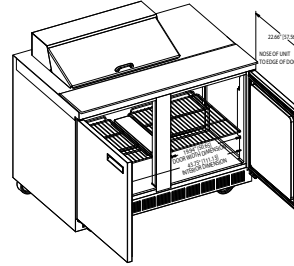
## Options & Accessories

- Flat lift off cover
  - 18" wide single tier overshef
  - Stainless steel finish on back
  - Plastic laminate on front
  - Additional wire shelves
  - Door lock
  - Exterior thermometer (door models only)
  - Glass door(s)
  - 220V/50 Hertz electrical system\*
- \* Inclusion of this option will alter electrical specifications of the unit

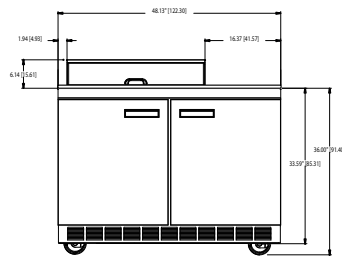
# 4448N-8



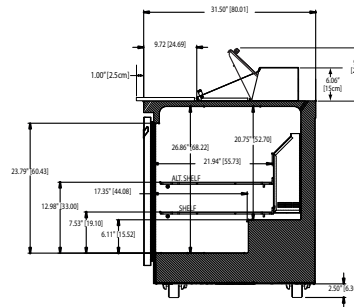
4448N-8 Pan Cutout Configuration



4448N-8 ISO View

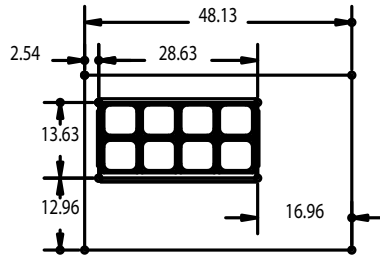


4448N-8 Elevation View

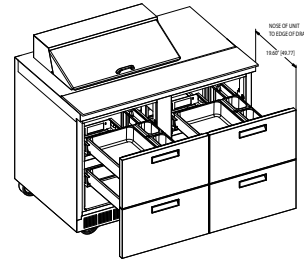


4448N-8 Right Side View

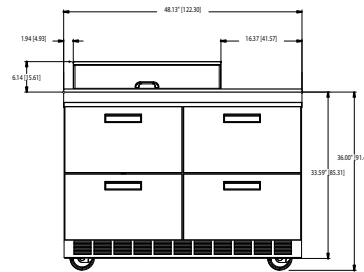
# D4448N-8



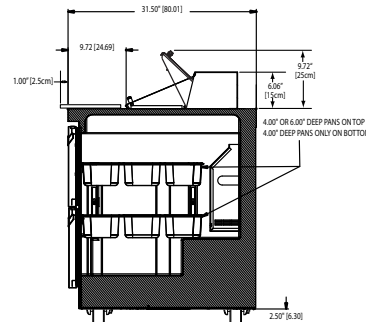
D4448N-8 Pan Cutout Configuration



D4448N-8 ISO View

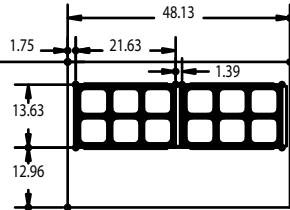


D4448N-8 Elevation View

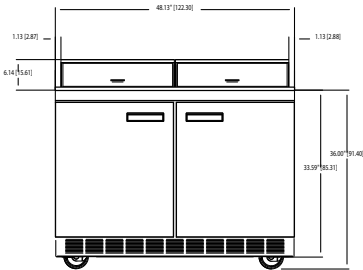


D4448N-8 Right Side View

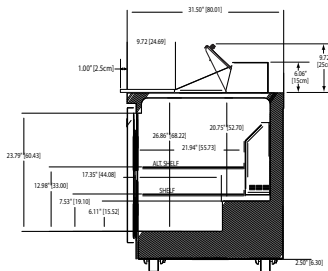
## 4448N-12



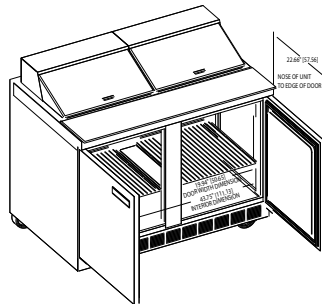
4448N-12 Pan Cutout Configuration



4448N-12 Elevation View

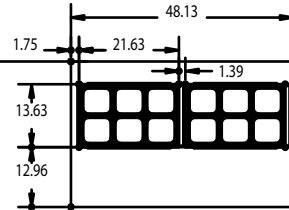


4448N-12 Right Side View

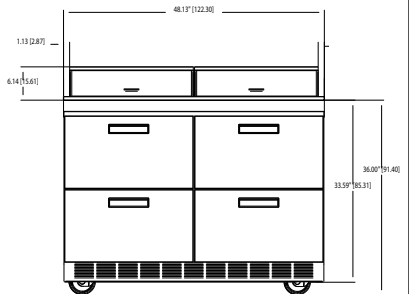


4448N-12 ISO View

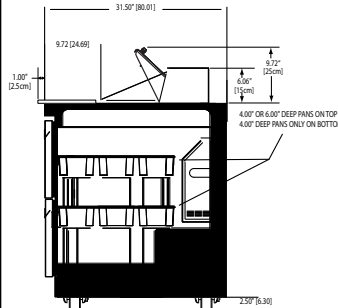
## D4448N-12



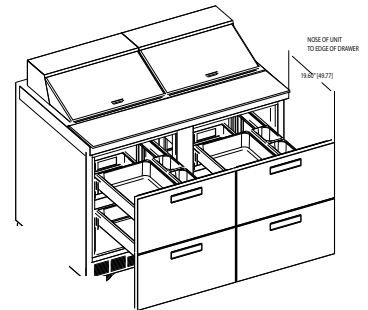
D4448N-12 Pan Cutout Configuration



D4448N-12 Elevation View



D4448N-12 Right Side View



D4448N-12 ISO View

## 4448N Salad Top

### Specifications

Model	1/6 Size Pan Cap.	# of Shelves	Shelf Area	Storage Capacity	H.P.	V/Hz/Ph	Amps	Nema Plug	Ship Weight
4448N-8	8	2	4.53ft <sup>2</sup>	10.7ft <sup>3</sup>	1/5	115/60/1	7.2	5-15P	320lbs/145kg
D4448N-8	8	NA	NA	2.7ft <sup>3</sup>	1/5	115/60/1	7.2	5-15P	395lbs/179kg
4448N-12	12	2	4.53ft <sup>2</sup>	10.7ft <sup>3</sup>	1/5	115/60/1	7.2	5-15P	320lbs/145kg
D4448N-12	12	NA	NA	2.7ft <sup>3</sup>	1/5	115/60/1	7.2	5-15P	395lbs/179kg

Delfield reserves the right to make changes to the design or specifications without prior notice.

### INSTALLATION NOTE:

Refrigeration system is designed so that air will flow under the unit, through the compressor area and out the front of the unit. Any restriction to this air flow path will void the warranties.

### PLEASE NOTE:

Air flow through the louver on the back of the unit is not necessary for operation, however, any air which passes through the louver is beneficial.



# 4448N Salad Top

Front-Breathing Self-Contained Salad Top Refrigerated Bases

## Specifications

**Exterior top** is one-piece 22-gauge stainless steel with integral 2.12" (5.1cm) square nosing on the front. Top of drawer unit has openings to accept 8 or 12 1/6-size 4" (10cm) deep plastic pans. Top of door unit has openings to accept 8 or 12 1/6-size 4" or 6" (10cm or 15cm) deep plastic pans. Adapter bars and 1/6 pans are supplied by Delfield. Lid is constructed of 20-gauge stainless steel. Temperature in top opening to maintain 33°F (1°C) to 41°F (5°C), with pans recessed 2.5" (6.4cm) at 86°F ambient room temperature, meeting NSF 7 requirements. One 48" x 10" x .5" (121.9cm x 25.4cm x 1.3cm) polyethylene cutting board treated with antimicrobial agent is mounted on the top at the front edge.

**Exterior back and bottom** are two-piece 24-gauge galvanized steel. Exterior ends are stainless steel.

**Interior sides** are thermoformed ABS plastic with integral shelf supports. Base is fully insulated with high-density foamed in place environmentally friendly, Kyoto Protocol Compliant, Non ODP (Ozone Depletion Potential), Non GWP (Global Warming Potential) polyurethane.

**Refrigeration system** uses HFC-404A refrigerant. Compressor is 1/5 H.P., with condenser coil and hot gas condensate evaporator mounted on rear of the cabinet. Evaporator coils are located on the interior rear wall of the cabinet. Refrigerant flow is controlled by a capillary tube. Cabinet maintains an interior cabinet temperature of 36°F to 40°F (2°C to 4°C).

**ACT control:** ACT electronic, solid state control, mounted on the exterior rear of the cabinet, allows unit to maintain precise temperatures in heavy duty conditions.

**Electrical connections** are 115 volt, 60 Hertz, single phase. Unit has a 7' (2.1m) long electrical cord and NEMA 5-15P plug.

**Casters:** Equipment is mounted on 5" (13cm) diameter plate casters with front two locking. Equipment clearance above the floor is 2.5" (6cm).

**Doors** have a 24-gauge stainless steel exterior, with thermoformed ABS plastic interior liner. Cabinet of door models has one adjustable epoxy-coated wire shelf.

**Drawers** have a 24-gauge stainless steel exterior with thermoformed ABS plastic interior liner. Drawer frames are 12-gauge stainless steel. Drawer slides are 11-gauge stainless steel with Delrin bearings. Each top drawer holds one full size 12" x 20 (30.5cm x 50.8cm) pan and three 1/9 size pans 4"- 6" (10.1cm - 15.2cm) deep. Each bottom drawer holds one 12" x 20 (30.5cm x 50.8cm) pan and three 1/9 size pans 4" (10.1cm) deep. Pans are supplied by others.

