



# ECSR24

E-Chef™ Sink Module

Project \_\_\_\_\_

Item \_\_\_\_\_

Quantity \_\_\_\_\_

CSI Section 11400

Approved \_\_\_\_\_

Date \_\_\_\_\_

ECSR24: E-Chef™ Sink Module

## Models

ECSR24 24" sink module



ECSR24

## Standard Features

- Stainless steel top and sides
- Stainless steel bottom shelf with 3" riser at the rear
- Standard on legs
- 10"x13"x6.5" sink with deck mount faucet
- 3-sided removable sink riser standard

## Options & Accessories

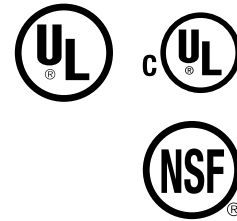
- Raceways (shipped loose)

## Specifications

**Exterior:** Top is one-piece heavy-gauge stainless steel with integral 2.12" square nosing on front with 90° turn down at the rear. Sides are heavy-gauge single thickness stainless steel with 2" bends on front and rear.

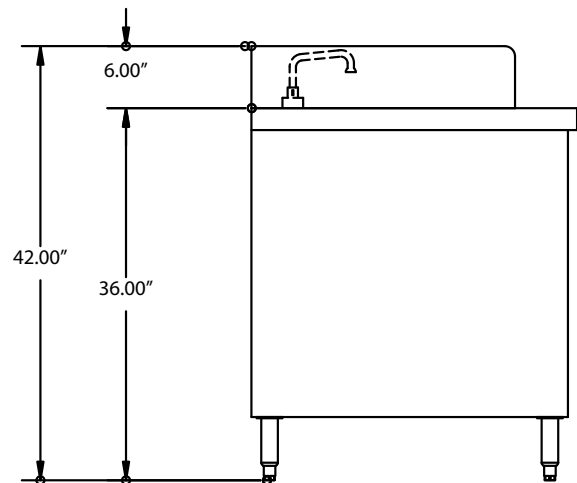
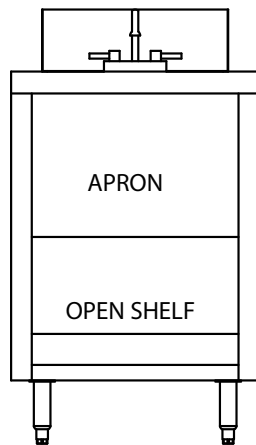
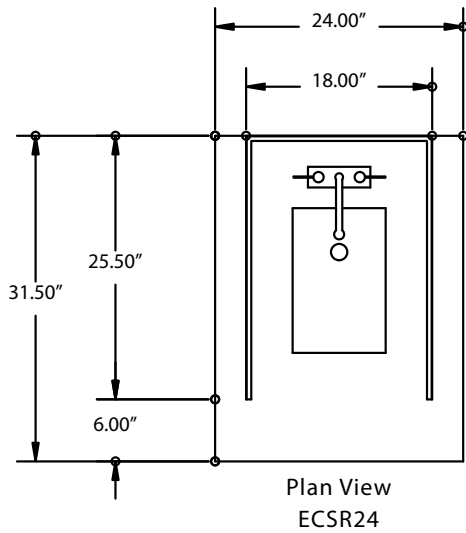
**Top:** Top has cutouts for 10"x13"x6.5" drop-in sink and deck mount faucet included with unit. Standard with 1.5" drain, strainer and 3-sided removable sink riser.

**Interior:** Bottom shelf is heavy-gauge stainless steel with 3" high riser at the rear.



ECSR24

E-Chef™ Sink Module



Specifications				
Model	L	D	H	Ship Weight
ECSR24	24"	31.5"	36"	200