



MERIDIAN® REACH INS

Service, Installation and Care Manual

Please read this manual completely before attempting to install or operate this equipment! Notify carrier of damage! Inspect all components immediately. See page 2.



 **CAUTION**
IMPORTANT INFORMATION
READ BEFORE USE
PLEASE SAVE THESE INSTRUCTIONS!

Effective Date June 2004

CONTENTS

RECEIVING AND INSPECTING UNIT	2
MECHANICAL DATA	3-7
INSTALLATION	8-9
OPERATION	10
ROUTINE MAINTENANCE	10-11
DEFROST TIMER.....	12
PARAGON TIMER.....	13
ERC CONTROL.....	14
WIRING DIAGRAM.....	15-19
REPLACEMENT PARTS LIST.....	20-22
STANDARD LABOR GUIDELINES.....	23
STANDARD WARRANTIES.....	24
NOTES	25
AUTHORIZED PARTS DEPOTS.....	BACK PAGE

SERIAL NUMBER LOCATION

On refrigeration, freezer and heated storage units, the serial tag is located inside the right most door (the only door on a one-door unit), near the top front corner of the right interior wall.

Always have the serial number of your unit available when calling for parts or service. A complete list of authorized Delfield parts depots is shown on the back cover of this manual.

This manual ©2004 The Delfield Company. All rights reserved. Reproduction without written permission is prohibited. Meridian Series® and Delfield are registered trademarks of The Delfield Company

RECEIVING AND INSPECTING THE EQUIPMENT

Even though most equipment is shipped crated, care should be taken during unloading so the equipment is not damaged while being moved into the building.

1. Visually inspect the exterior of the package and skid or container. Any damage should be noted and reported to the delivering carrier immediately.
2. If damaged, open and inspect the contents with the carrier.
3. In the event that the exterior is not damaged, yet upon opening, there is concealed damage to the equipment notify the carrier. Notification should be made verbally as well as in written form.
4. Request an inspection by the shipping company of the damaged equipment. This should be done within 10 days from receipt of the equipment.
5. Check the lower portion of the unit to be sure legs or casters are not bent.
6. Also view the compressor compartment housing and visually inspect the refrigeration package. Be sure lines are secure and base is still intact.
7. Freight carriers can supply the necessary damage forms upon request.
8. Retain all crating material until an inspection has been made or waived.

MERIDIAN REACH INS SPECIFICATIONS**SOLID DOOR REFRIGERATORS AND FREEZERS**

MODEL	VOLTAGE	AMPS	STORAGE CU. FT.	SHELVES SQ. FT.	# OF SHELVES	UNIT H.P.	BTU/HR CAB LOAD	BTU/HR SYSTEM CAP	SHIP WEIGHT	NEMA PLUG
REFRIGERATORS										
MRR1-S	115	8.5	24.96	12.81	3	1/4	758	2015	376	5-15P
MRR2-S	115	10.8	51.92	27.54	6	1/3	1374	2522	598	5-15P
MRR3-S	115	12.3	78.89	42.27	9	1/2	1971	3637	805	5-15P
FREEZERS										
MFR1-S	115	11.1	24.96	12.81	3	1/2	1239	1868	396	5-15P
MFR2-S	115	14.9	51.92	27.54	6	3/4	2247	3326	696	5-20P
MFR3-S	115/208-230	11.6	78.89	42.27	9	1	3222	4136	930	NA

GLASS DOOR REFRIGERATORS AND FREEZERS

MODEL	VOLTAGE	AMPS	STORAGE CU. FT.	SHELVES SQ. FT.	# OF SHELVES	UNIT H.P.	BTU/HR CAB LOAD	BTU/HR SYSTEM CAP	SHIP WEIGHT	NEMA PLUG
REFRIGERATORS										
MRR1-G	115	8.5	24.96	12.81	3	1/4	982	2251	386	5-15P
MRR2-G	115	10.8	51.92	27.54	6	1/3	1853	2801	638	5-15P
MRR3-G	115	12.3	78.89	42.27	9	1/2	2709	4046	835	5-15P
FREEZERS										
MFR1-G	115	11.3	24.96	12.81	3	1/2	1605	2300	406	5-15P
MFR2-G	115/208-230	9.1	51.92	27.54	6	1	3009	3843	705	NA
MFR3-G	115/208-230	10.0	78.89	42.27	9	1 1/2	4386	5940	960	NA

REFRIGERATOR/FREEZER COMBINATIONS

MODEL	DESCRIPTION	VOLTAGE	AMPS	STORAGE CU. FT.	SHELVES SQ. FT.	# OF SHELVES	UNIT H.P.	BTU/HR CAB LOAD	BTU/HR SYSTEM CAP	SHIP WEIGHT	NEMA PLUG
MD6R1-SH	TOP - 1/2 FRZ	115	12.7	11.94	8.54	2	1/2	615	1868	525	5-15P
	BOT - 1/2 REF			11.94	8.54	2		370			
MD1R2-S	LEFT DR REF	115	8.5	24.96	12.81	3	1/4	758	2015	658	5-15P
	RIGHT DR FRZ	115	11.1	24.96	12.81	3	1/2	1239	1868	658	5-15P
MD2R2-S	LEFT DR FRZ	115	11.1	24.96	12.81	3	1/2	1239	1868	658	5-15P
	RIGHT DR REF	115	8.5	24.96	12.81	3	1/4	758	2015	658	5-15P

SOLID AND GLASS DOOR HEATED UNITS

MODEL	VOLTAGE	AMPS	STORAGE CU. FT.	SHELVES SQ. FT.	# OF SHELVES	UNIT H.P.	BTU/HR CAB LOAD	BTU/HR SYSTEM CAP	SHIP WEIGHT	NEMA PLUG
SOLID DOORS										
MHR1-S	120/208-240	9.0	24.96	12.81	3	NA	NA	NA	420	NA
MHR2-S	120/208-240	16.0	51.92	27.54	6	NA	NA	NA	562	NA
GLASS DOORS										
MHR1-G	120/208-240	9.0	24.96	12.81	3	NA	NA	NA	430	NA
MHR2-G	120/208-240	16.0	51.92	27.54	6	NA	NA	NA	582	NA

MERIDIAN REACH INS SPECIFICATIONS

SOLID DOOR NARROW REFRIGERATORS AND FREEZERS

MODEL	VOLTAGE	AMPS	STORAGE CU. FT.	SHELVES SQ. FT.	# OF SHELVES	UNIT H.P.	BTU/HR CAB LOAD	BTU/HR SYSTEM CAP	SHIP WEIGHT	NEMA PLUG
REFRIGERATORS										
MRR1N-S	115	8.5	20.97	10.59	3	1/4	713	2015	356	5-15P
MRR2N-S	115	10.8	43.94	23.10	6	1/3	1285	2522	558	5-15P
FREEZERS										
MFR1N-S	115	11.1	20.97	10.59	3	1/2	1166	1629	376	5-15P
MFR2N-S	115	14.9	43.94	23.10	6	3/4	2101	3326	656	5-20P

SOLID DOOR SHALLOW REFRIGERATORS AND FREEZERS

MODEL	VOLTAGE	AMPS	STORAGE CU. FT.	SHELVES SQ. FT.	# OF SHELVES	UNIT H.P.	BTU/HR CAB LOAD	BTU/HR SYSTEM CAP	SHIP WEIGHT	NEMA PLUG
REFRIGERATORS										
MRR1S-S	115	8.5	18.25	8.98	3	1/4	674	2015	358	5-15P
MRR2S-S	115	10.8	37.96	19.04	6	1/3	1263	2522	562	5-15P
FREEZERS										
MFR1S-S	115	11.1	18.25	8.98	3	1/2	1102	1629	376	5-15P
MFR2S-S	115	14.9	37.96	19.04	6	3/4	2064	3326	656	5-20P

MERIDIAN PASS THROUGH SPECIFICATIONS

SOLID DOOR REFRIGERATORS AND FREEZERS

MODEL	VOLTAGE	AMPS	STORAGE CU. FT.	SHELVES SQ. FT.	# OF SHELVES	UNIT H.P.	BTU/HR CAB LOAD	BTU/HR SYSTEM CAP	SHIP WEIGHT	NEMA PLUG
REFRIGERATORS										
MRPT1-S	115	10.5	26.64	12.81	3	1/3	968	2354	414	5-15P
MRPT2-S	115	12.0	55.42	27.54	6	1/2	1843	3637	620	5-15P
MRPT3-S	115/208-230	14.0	84.19	42.27	9	3/4	2698	6744	852	NA
FREEZERS										
MFPT2-S	115/208-230	7.0	55.42	27.54	6	1	3013	3497	660	NA
MFPT2R-GS	115	9.8	55.42	27.54	6	1 1/2*	NA	NA	700	NA

GLASS DOOR REFRIGERATORS

MODEL	VOLTAGE	AMPS	STORAGE CU. FT.	SHELVES SQ. FT.	# OF SHELVES	UNIT H.P.	BTU/HR CAB LOAD	BTU/HR SYSTEM CAP	SHIP WEIGHT	NEMA PLUG
REFRIGERATORS										
MRPT1-G	115	10.5	26.64	12.81	3	1/3	1537	2614	434	5-15P
MRPT2-G	115	12.0	55.42	27.54	6	1/2	3001	4046	660	5-15P
MRPT3-G	115/208-230	14.0	84.19	42.27	9	3/4	NA	NA	1032	NA

SOLID/GLASS DOOR REFRIGERATORS

MODEL	VOLTAGE	AMPS	STORAGE CU. FT.	SHELVES SQ. FT.	# OF SHELVES	UNIT H.P.	BTU/HR CAB LOAD	BTU/HR SYSTEM CAP	SHIP WEIGHT	NEMA PLUG
REFRIGERATORS										
MRPT1-GS	115	10.5	26.64	12.87	3	1/3	1537	2614	434	5-15P
MRPT2-GS	115	12.0	56.72	27.5	6	1/2	3001	4046	1001	5-15P
MRPT3-GS	115/208-230	14.0	84.19	40.5	9	3/4*	NA	3275	1288	NA

SOLID AND GLASS DOOR HEATED UNITS

MODEL	VOLTAGE	AMPS	STORAGE CU. FT.	SHELVES SQ. FT.	# OF SHELVES	UNIT H.P.	BTU/HR CAB LOAD	BTU/HR SYSTEM CAP	SHIP WEIGHT	NEMA PLUG
SOLID										
MHPT1-S	120/208-240	9.0	26.64	12.81	3	NA	NA	NA	370	NA
MHPT2-S	120/208-240	16.0	55.42	27.54	6	NA	NA	NA	592	NA
GLASS/SOLID										
MHPT1-GS	120/208-240	9.0	26.64	12.81	3	NA	NA	NA	380	NA
MHPT2-GS	120/208-240	16.0	55.42	27.54	6	NA	NA	NA	612	NA

*Remote only.

** Recommended HP.

MERIDIAN ROLL IN SPECIFICATIONS

SOLID DOOR REFRIGERATORS AND FREEZERS

MODEL	VOLTAGE	AMPS	STORAGE CU. FT.	SHELVES SQ. FT.	# OF SHELVES	RACK CAP.	UNIT H.P.	BTU/HR CAB LOAD	BTU/HR SYSTEM CAP	SHIP WEIGHT	NEMA PLUG
REFRIGERATORS											
MRR11-S	115	10.5	36.15	NA	NA	1	1/3	1207	2354	456	5-15P
MRR12-S	115	12.0	74.72	NA	NA	2	1/2	2221	3637	676	5-15P
MRR13-S	115/208-230	14.0	113.28	NA	NA	3	3/4	3229	6744	960	NA
FREEZERS											
MFRI1-S	115	13.7	36.15	NA	NA	1	1/2	1516	2094	477	5-20P
MFRI2-S	115/208-230	9.3	74.72	NA	NA	2	1	2714	3494	716	NA
MFRI3-S	115/208-230	11.8	113.28	NA	NA	3	1 1/2	3901	5394	1020	NA

GLASS DOOR REFRIGERATORS AND FREEZERS

MODEL	VOLTAGE	AMPS	STORAGE CU. FT.	SHELVES SQ. FT.	# OF SHELVES	RACK CAP.	UNIT H.P.	BTU/HR CAB LOAD	BTU/HR SYSTEM CAP	SHIP WEIGHT	NEMA PLUG
REFRIGERATORS											
MRR11-G	115	10.5	36.15	NA	NA	1	1/3	1331	2614	467	5-15P
MRR12-G	115	12.0	74.72	NA	NA	2	1/2	2512	4046	698	5-15P
MRR13-G	115/208-230	14.0	113.28	NA	NA	3	3/4	3687	7569	1771	NA
FREEZERS											
MFRI1R-G	115	10.2	36.15	NA	NA	1	1/2*	1844	NA	487	NA
MFRI2R-G	115	10.2	74.72	NA	NA	2	1*	3413	NA	736	NA
MFRI3R-G	115	13.5	113.28	NA	NA	3	1½*	4973	NA	1050	NA

*Recommended. Remote only.

SOLID AND GLASS DOOR HEATED UNITS

MODEL	VOLTAGE	AMPS	STORAGE CU. FT.	SHELVES SQ. FT.	# OF SHELVES	RACK CAP.	UNIT H.P.	BTU/HR CAB LOAD	BTU/HR SYSTEM CAP	SHIP WEIGHT	NEMA PLUG
HEATED SOLID DOOR											
MHR11-S	120/208-240	9.0	36.15	NA	NA	1	NA	NA	NA	434	NA
MHR12-S	120/208-240	16.0	74.72	NA	NA	2	NA	NA	NA	616	NA
HEATED GLASS DOOR											
MHR11-G	120/208-240	9.0	36.15	NA	NA	1	NA	NA	NA	449	NA
MHR12-G	120/208-240	16.0	74.72	NA	NA	2	NA	NA	NA	676	NA

MERIDIAN ROLL THROUGH SPECIFICATIONS

SOLID DOOR REFRIGERATORS

MODEL	VOLTAGE	AMPS	STORAGE CU. FT.	SHELVES SQ. FT.	# OF SHELVES	RACK CAP.	UNIT H.P.	BTU/HR CAB LOAD	BTU/HR SYSTEM CAP	SHIP WEIGHT	NEMA PLUG
REFRIGERATORS											
MRRT1-S	115	12.0	38.58	NA	NA	1	1/2	1706	2805	454	5-15P
MRRT2-S	115/208-230	10.1	79.74	NA	NA	2	3/4	3263	6165	656	NA
MRRT3-S	115/208-230	11.3	120.90	NA	NA	3	3/4	4815	6744	1036	NA

GLASS DOOR REFRIGERATORS

MODEL	VOLTAGE	AMPS	STORAGE CU. FT.	SHELVES SQ. FT.	# OF SHELVES	RACK CAP.	UNIT H.P.	BTU/HR CAB LOAD	BTU/HR SYSTEM CAP	SHIP WEIGHT	NEMA PLUG
REFRIGERATORS											
MRRT1-G	115	12.0	38.58	NA	NA	1	1/2	2111	3120	464	5-15P
MRRT2-G	115/208-230	10.1	79.74	NA	NA	2	3/4	4106	6920	676	NA
MRRT3-G	115/208-230	11.3	120.90	NA	NA	3	3/4	6097	7569	1066	NA

SOLID/GLASS DOOR REFRIGERATORS

MODEL	VOLTAGE	AMPS	STORAGE CU. FT.	SHELVES SQ. FT.	# OF SHELVES	RACK CAP.	UNIT H.P.	BTU/HR CAB LOAD	BTU/HR SYSTEM CAP	SHIP WEIGHT	NEMA PLUG
REFRIGERATORS											
MRRT1-GS	115	12.0	38.58	NA	NA	1	1/2	1800	1719	469	5-15P
MRRT2-GS	115/208-230	10.1	79.74	NA	NA	2	3/4	3600	5900	686	NA
MRRT3-GS	115/208-230	11.3	120.90	NA	NA	3	3/4	5400	4921	1081	NA

SOLID AND GLASS DOOR HEATED MODELS

MODEL	VOLTAGE	AMPS	STORAGE CU. FT.	SHELVES SQ. FT.	# OF SHELVES	RACK CAP.	UNIT H.P.	BTU/HR CAB LOAD	BTU/HR SYSTEM CAP	SHIP WEIGHT	NEMA PLUG
SOLID											
MHRT1-S	120/208-240	9.0	38.58	NA	NA	1	NA	NA	NA	450	NA
MHRT2-S	120/208-240	16.0	79.74	NA	NA	2	NA	NA	NA	766	NA
GLASS/SOLID											
MHRT1-GS	120/208-240	9.0	38.58	NA	NA	1	NA	NA	NA	465	NA
MHRT2-GS	120/208-240	16.0	79.74	NA	NA	2	NA	NA	NA	796	NA

INSTALLATION REACH-INS AND PASS THROUGHS

Location

Units represented in this manual are intended for indoor use only. Be sure the location chosen has a floor strong enough to support the total weight of the cabinet and contents. Allow for a total load of approximately 600 pounds (273kg) per door section. Reinforce the floor if necessary to provide for maximum loading. For the most efficient operation, be sure to provide good air circulation inside and out.

Inside cabinet: Take care not to block air flow to the fans or heating elements and allow space along the front, back and sides.

Outside cabinet: Be sure that the unit has access to ample air; avoid hot corners and locations near stoves and ovens. Always provide a minimum of 12" (30.5 cm) of clearance above the unit that is open to the front.

If the doors need to be removed during installation, remove the door by lifting it up and easing it out of the hinge brackets.

Leveling

A level cabinet looks better and will perform better because the doors will line up with the door frames properly, and the cabinet will not be subject to unnecessary strain.

Stabilizing

It is very important that all legs are properly adjusted to keep the unit level, evenly distribute the weight and to make sure the unit will not rock, lean or be unstable.



Electrical connection

Refer to the amperage data on pages 3-7 or the serial tag data and your local code or the National Electrical Code to be sure the unit is connected to the proper power source. A protected circuit of the correct voltage and amperage must be run for connection of the supply cord or permanent connection to the unit. The power must be turned off and disconnected whenever performing maintenance or repair functions.



Permanently connected units must be connected in accordance with NEC Article 422 Appliances. C-Disconnecting means. It is the responsibility of the end user to provide the disconnect means to satisfy the authority having jurisdiction.



Large cabinets should always be moved with extreme care and caution.

INSTALLATION ROLL-INS AND ROLL-THROUGHS

Location

Be sure the location chosen has a floor strong enough to support the total weight of the cabinet and contents. Allow for a total load of approximately 1000 pounds (450kg) per door section. Reinforce the floor if necessary to provide for maximum loading. For the most efficient operation, be sure to provide good air circulation inside and out.

Inside cabinet: Take care not to block air flow to the fans or heating elements and allow space along the front, back and sides.

Outside cabinet: Be sure that the unit has access to ample air; avoid hot corners and locations near stoves and ovens. Always provide a minimum of 12 " (30.5 cm) of clearance above the unit that is open to the front.

If the doors need to be removed during installation, remove the door by lifting it up and easing it out of the hinge brackets.

Leveling

A level cabinet looks better and will perform better because the doors will line up with the door frames properly, and the cabinet will not be subject to unnecessary strain.

Unit Installation - Surface Mounted

The surface mounting installation method uses stainless steel ramps to allow entry into the cabinet (one ramp provided with roll-in models, two with roll-through models).

1. Install a minimum of 1" (2.5cm) of cork insulation (or equivalent) in the space under the unit. The insulation should be recessed.
2. Set the unit in place and seal to the floor.
3. Install ramp(s). On refrigerators or freezers, when the ramps are properly installed, heat from the heater wire will be transferred to the ramp to prevent condensation.

Door installation

If the doors need to be removed during installation remove the door by lifting it up and easing it out of the hinge brackets.



Electrical connection

Refer to the amperage data on pages 3-7 or the serial tag data and your local code or the National Electrical Code to be sure the unit is connected to the proper power source. A protected circuit of the correct voltage and amperage must be run for connection of the supply cord or permanent connection to the unit. The power must be turned off and disconnected whenever performing maintenance or repair functions.



Permanently connected units must be connected in accordance with NEC Article 422 Appliances. C-Disconnecting means. It is the responsibility of the end user to provide the disconnect means to satisfy the authority having jurisdiction.



Large cabinets should always be moved with extreme care and caution.

OPERATION INFORMATION

For proper start up, verify that the thermostat is in the OFF position prior to connecting the unit to its power source. This will eliminate any possible electrical issues. Failure to start the unit with the thermostat in the OFF position could lead to motor failures as well as other electrical component failure.

The thermostat also has an OFF position that disconnects power to the condensing unit, keep in mind the evaporator fans and lights will still have power while the thermostat is in the OFF position. On freezer units the lights and defrost timer will still have power as well as the

condensate heating elements. During normal operation the freezer temp is preset at approximately 0°F and the refrigerator is preset at approximately 37°F.

ELECTRONIC CONTROLS ONLY

After plugging the unit in and turning the power switch to ON the unit will then begin to operate. For standard units verify that the thermostat is in the off position prior to plugging the unit in. Once power is connected the thermostat can be set to the 3 or 4 position for normal operation.

OPERATION INFORMATION (HEATED MODELS)

1. Turn the main power switch, located on the top of the control box to the ON position. Turn the night position switch, on the front of the control box, to the ON position.
2. Adjust the temperature control to the desired temperature.

The green area on the scale represents the optimum food holding temperature zone of 150°F to 170°F (66°C to 77°C). When the cabinet is warmed up and the temperature stabilized, the cabinet temperature will normally stay within a few degrees of the temperature control set point. The display shows a precise measurement of the actual air temperature within the cabinet, not an average reading. Therefore, it is not unusual to see the temperature vary when the doors are opened. The quick response of the heating system combined with the precision temperature readings provide very accurate control of the cabinet temperature.

3. The light switch (on the glass door models only) controls the display lights inside the cabinet.

The unit is now operating and the display will continually show the current interior cabinet temperature. The night power switch on the front of the control box should be used to turn the unit off at night. This removes latent heat from the heated module preventing high limit lock out. If desired, the main power switch can be turned to the off position once the fan has turned off. Approximately 3 minutes.



The cabinet interior is very hot! Avoid direct contact with skin; use appropriate protective apparel, such as gloves. The area near the heating duct will be hotter than the rest of the cabinet. Never operate the unit without the duct in place. Use only containers and materials suitable for high temperature applications. Never store combustible materials near the heating appliance.



Removal of the Heated Module

1. Disconnect power.
2. Disconnect power harness.
3. Remove module from unit.

MAINTENANCE

Stainless Steel Care and Cleaning

To prevent discoloration of rust on stainless steel several important steps need to be taken. First, we need to understand the properties of stainless steel. Stainless steel contains 70-80% iron which will rust. It also contains 12-30% chromium which forms an invisible passive film over the steels surface which acts as a shield against corrosion. As long as the protective layer is intact, the metal is still stainless. If the film is broken or contaminated, outside elements can begin to breakdown the steel and begin to form rust or discoloration.

Proper cleaning of stainless steel requires soft cloths or plastic scouring pads.



NEVER USE STEEL PADS, WIRE BRUSHES OR SCRAPERS!

Cleaning solutions need to be alkaline based or non-chloride cleaners. Any cleaner containing chlorides will damage the protective film of

the stainless steel. Chlorides are also commonly found in hard water, salts and household and industrial cleaners. If cleaners containing chlorides are used, be sure to rinse repeatedly and dry thoroughly upon completion.

Routine cleaning of stainless steel can be done with soap and water. Extreme stains or grease should be cleaned with a non-abrasive cleaner and plastic scrub pad. It is always good to rub with the grain of the steel. There are also stainless steel cleaners available which can restore and preserve the finish of the steels protective layer.

Early signs of stainless steel breakdown can consist of small pits and cracks. If this has begun, clean thoroughly and start to apply stainless steel cleaners in attempt to restore the passivity of the steel.

Never use an acid based cleaning solution! Many food products have an acidic content which can deteriorate the finish. Be sure to clean ALL food products from any stainless steel surface. Common items include, tomatoes, peppers and other vegetables.

MAINTENANCE CONTINUED

The power must be turned off and disconnected whenever performing maintenance or repair functions.

Cleaning the Condenser Coil

The condenser coil requires regular cleaning, recommended is every 90 days. In some instances though you may find that there is a large amount of debris and dust or grease accumulated prior to the 90 day time frame. In these cases the condenser coil should be cleaned every 30 days.

If the build up on the coil consists of only light dust and debris the condenser coil can be cleaned with a simple brush, heavier dust build up may require a vacuum or even compressed air to blow through the condenser coil.

If heavy grease is present there are de-greasing agents available for refrigeration use and specifically for the condenser coils. The condenser coil may require a spray with the de-greasing agent and then blown through with compressed air.

Failure to maintain a clean condenser coil can initially cause high temperatures and excessive run times, continuous operation with dirty or clogged condenser coils can result in compressor failures. Neglecting the condenser coil cleaning procedures will void any warranties associated with the compressor or cost to replace the compressor.

Never use a high pressure water wash for this cleaning procedure as water can damage the electrical components located near or at the condenser coil.

Removable Refrigeration Package

The refrigeration package is removable on all Meridian Series units.

1. Disconnect power.
2. Remove the thermometer bulb.
3. Remove the front shroud.
4. Disconnect the electrical harness and remove the hold down screws.
5. Lift package as straight up as possible so as not to damage the gasket seal.
6. Keep package upright at all times.

Installation of Refrigeration Package

1. To avoid seal damage, do not slide package into place, carefully set package into locator brackets.
2. Install and tighten all hold down screws.

If your freezer seems to vibrate excessively when the compressor is running, loosen (but do not remove) the bolts on the compressor. Semi hermetic models should be loosened before operating.

Heated Storage Cabinets

The heater ducts on heated cabinets are removable for cleaning. When the ducts is sufficiently cool, remove the thumb screws and pull it away from the top of the cabinet. Reverse this procedure to re-install the ducts.



Never operate a heated cabinet without all heater ducts in place!



The interior of heated storage cabinets will be hot for some time after the power is turned off. Avoid touching the interior walls and heater ducts with bare hands or arms until you are certain the unit has cooled. The use of gloves is recommended.

Gasket Maintenance

Gaskets require regular cleaning to prevent mold and mildew build up and also to keep the elasticity of the gasket. Gasket cleaning can be done with the use of warm soapy water. Avoid full strength cleaning products on gaskets as this can cause them to become brittle and prevent proper seals. Also, never use sharp tools or knives to scrape or clean the gasket which could possibly tear the gasket and rip the bellows.

Gaskets can easily be replaced and do not require the use of tools or authorized service persons. The gaskets are "Dart" style and can be pulled out of the groove in the door and new gaskets can be "pressed" back into place.

Doors/Hinges

Over time and with heavy use the hinges may become loose. If it is noticed that the door is beginning to sag, it may become necessary to tighten the screws that mount the hinge brackets to the frame of the unit. If the doors are loose or sagging this can cause the hinge to pull out of the frame which may damage both the doors and the door hinges. In some cases this can require qualified service agents or maintenance personnel.

Drain Maintenance

Each unit has a drain located inside the unit which removes the condensation from the evaporator coil and evaporates it at an external condensate evaporator pan. Each drain can become loose or disconnected from moving or bumping the drain. If you notice excessive water accumulation on the inside of the unit be sure the drain tube is connected from the evaporator housing to the condensate evaporator drain pan. If water is collected underneath the unit you may want to check the condensate evaporator drain tube to be sure it is still located inside the drain pan. The leveling of the unit is important as the units are designed to drain properly when on a level surface, if your floor is not level this can also cause drain problems. Be sure all drain lines are free of obstructions, typically food product is found blocking drain lines causing water to back up and overflow the drain pans.

DEFROST TIMER PROGRAMMING GUIDE (ONE DOOR MODELS)

A (2) 4 position dip switch provides user control of defrost duration and cycle time. The selection is as follows.

Defrost Time

Dip Switch Setting				min
off	off	off	off	void
on	off	off	off	5
off	on	off	off	10
on	on	off	off	15
on	on	off	on	20
on	off	on	off	25
off	on	on	off	30
on	on	on	off	35
off	off	off	on	40
on	off	off	on	45
off	on	off	on	50
on	on	off	on	55
off	off	on	on	60

*Factory settings are highlighted.

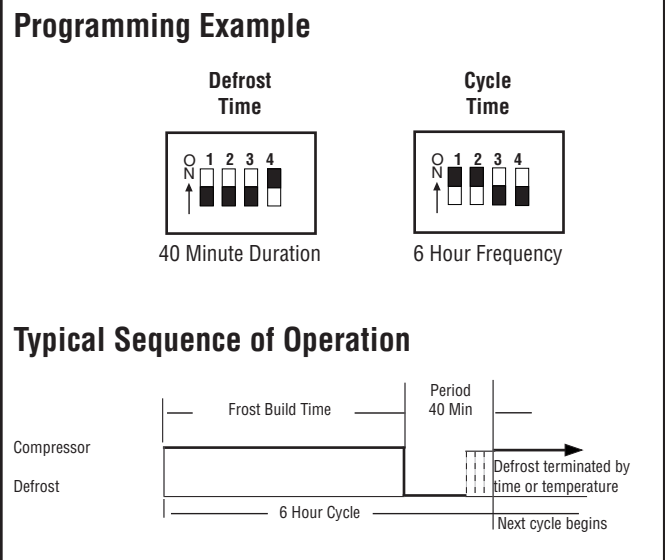
Cycle Time

Dip Switch Setting				hrs
off	off	off	off	void
on	off	off	off	2
off	on	off	off	4
on	on	off	off	6
on	on	off	on	8
on	off	on	off	10
off	on	on	off	12
on	on	on	off	14
off	off	off	on	16
on	off	off	on	18
off	on	off	on	20
on	on	off	on	22
off	off	on	on	24

*Factory settings are highlighted.

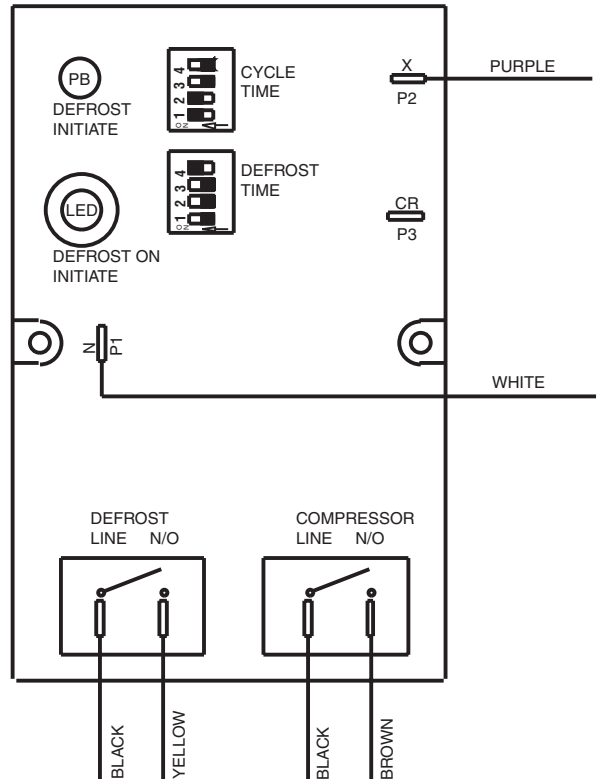
NOTE: There is no time adjustment for one door models.

Operation (Single door models): The electric defrost controller is preset at the factory to provide a defrost cycle every 6 hours (4 defrosts per day). If it is necessary to change the number of defrosts due to unusual operating conditions, it can be accomplished by adjusting switches 7, 8 and 9 as shown above.



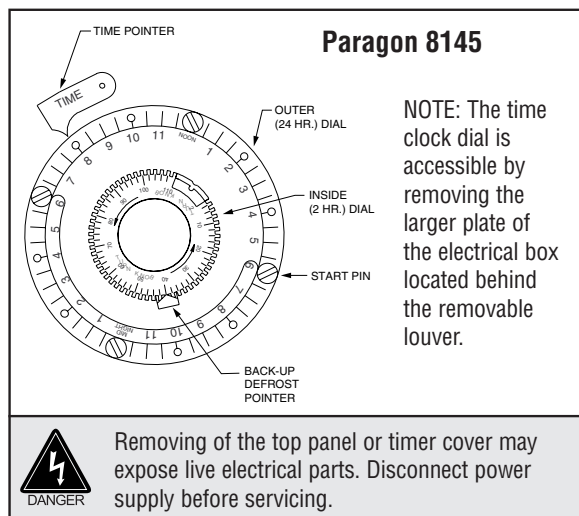
Defrost timer

NOTE: Dip switches shown in preset positions.



PARAGON TIMER CONTROL

Two and three section units only.



Freezer defrost control: All Meridian two door and three door freezers are equipped with a Paragon 8145 defrost control for automatic defrosting of the evaporator coil.

To set time of day (Two & three door models only): Grasp the knob of the Paragon 8145 time clock dial in the center of the inner (2 hour) dial and rotate it in a counter-clockwise direction (see figure 1). This will revolve the outer dial. Continue turning until the correct time of day on the outer dial lines up with the time pointer. This operation requires an initial start-up and any time thereafter when there is an interruption of power to the freezer.

Operation (Two & Three door models): The Paragon 8145 timer is preset at the factory to provide four defrosts per day at six hour intervals starting at 6:00 am. If it is necessary to change the number of defrosts due to unusual operating conditions it can be accomplished by placing the pins in the outer dial at the appropriate time of the day that defrost initiation is desired.

Even under the most severe operating conditions it should not be necessary to set the back-up time greater than 60 minutes. Consult the factory if complete de-icing of the coil is not accomplished within this time period.

ERC CONTROL (OPTIONAL)

The ERC-2 Electronic Refrigeration Control is a microprocessor-based electronic controller designed to control both the temperature and the defrost functions of a commercial refrigeration unit. Designed for 115 or 208/240 (50 or 60 Hz), the control comes with four relay outputs: compressor, defrost, evaporator fan and alarm.

The ERC-2 includes a digital display module that provides readout of the temperature, time and built-in diagnostics. The display module can be mounted locally or remotely from the unit and it contains a touch keypad for simple programming. For defrost control, it uses a real time clock.

Applications:

This control is NSF certified and it can be applied to many different commercial refrigeration applications like reach-ins, walk-ins, refrigerated cases, or other different products where accurate control of refrigerated space and defrost cycles is required.

Technical Specifications

- Input Power: 115/208-240 VAC 50/60Hz (-10%, -15%)
- Zone and Evaporator Temperature Sensor: NTC thermistor: Range -40 to 199°
- Output Relay Ratings:
- Compressor: 1hp@115V
- Defrost: 16A resistive at 115/208-240V pilot duty 470 VA@120/208-240V
- Evaporator fan: 1/2 hp at 120V, 3/4 hp at 208V, 1 hp at 240V
- Alarm: 5A resistive at 115/208V
- Ambient Operating Conditions: -40% to 122°F; 0 to 95% RH
- Agency Certifications UL, CSA, NSF

Special Features

The default parameters for Delfield will be pre-programmed.

In case of a power failure, the control has a safe operating mode in case of sensor failure.

Programming

Accessing

Level 1: Press and hold the SET button for five sec.

Level 2: Press and hold the SET and DOWN button for 10 sec.

Programming

Scroll through the parameters using the UP and DOWN arrow keys. Choose the parameter to be changed by pressing SET. Scrolling through the options or set the time or temperature by using the UP and DOWN arrow keys. Once you choose the option or adjusted the time or temperature, press SET to accept the option.

The ERC-2 control initially powers up displaying 12 AM otherwise it will show the last configured selection (time or temperature). If a power outage occurs during normal operation, the control will maintain the correct time of day using a capacitor (batteries are not

required). The time will be maintained for up to 100 hours when the capacitor is fully charged.

To initiate a Manual Defrost, press and hold the MAN DEF key for 3 seconds.

There are two levels of programming in the ERC-2. The first of security will enable the user to set two parameters: Time-of-day (CLoC and setpoint temperature SET). The other level allows access to the other parameters.

Three buttons are used for the programming: SET, UP AND DOWN.

- | | | |
|---------------|-------------------|--|
| STEP 1 | SET | Press and hold SET for 5 seconds. The display will show CLoC |
| STEP 2 | SET | Press SET again to change the time of day. |
| STEP 3 | UP OR DOWN | Press UP or DOWN until the correct time of day is displayed. |
| STEP 4 | SET | Press SET to accept the new time. |
| STEP 5 | DOWN | Press DOWN to go to the next parameter - Set point temperature -Set (cut out). |
| STEP 6 | SET | Press SET to change the set point temperature. |
| STEP 7 | UP OR DOWN | Press UP or DOWN to go to the desired setpoint. The range is - 40° to 60°F or -40 to 16°C. |
| STEP 8 | SET | Press SET to accept the change. |
| STEP 9 | DOWN | Press DOWN to exit the first level of programming. |

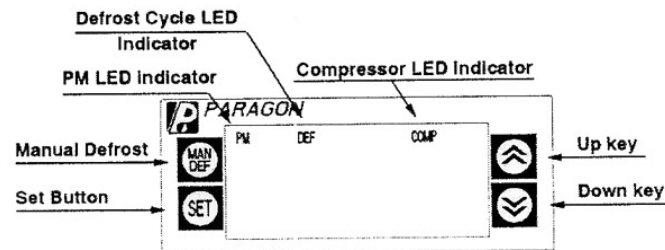


NOTE

NOTE 1: During programming, if no button is pushed during 30 seconds, the control will go back to the normal operating mode. This is valid for both programming levels.

NOTE 2: When changing the time, press and hold the MAN DEF button for 3 seconds to change the AM/PM mode.

NOTE: By lifting gray plastic cover, buttons will be exposed.

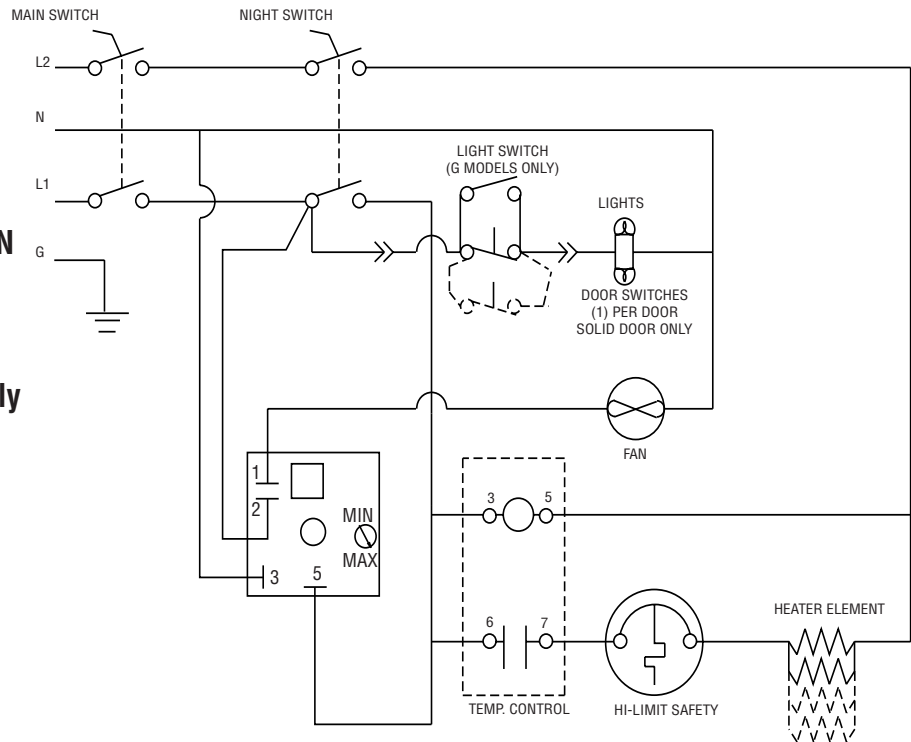


For more information on the ERC Control, please log onto our web site at www.delfield.com and go to the Parts and Service section, then to the Service Department page.

WIRING DIAGRAM MERIDIAN HEATED MODELS 120/208-240v

WIRING DIAGRAM MERIDIAN HEATED MODELS 120/208-240v

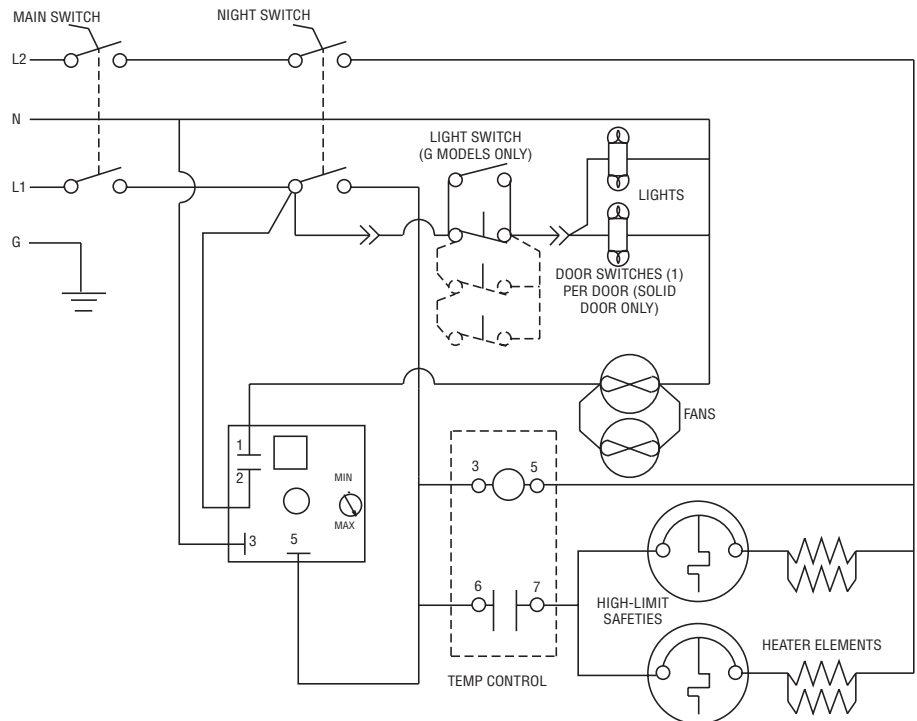
One and two door models only



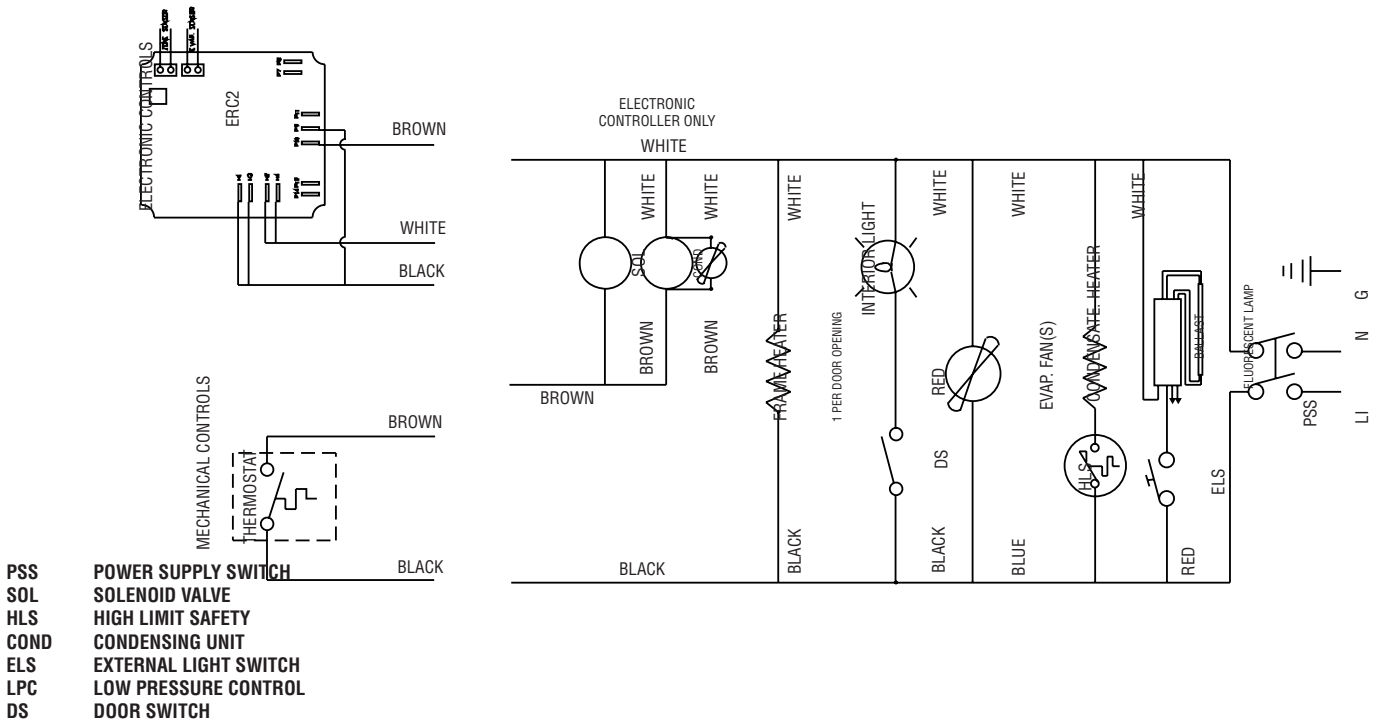
WIRING DIAGRAM MERIDIAN HEATED MODELS 120/208-240v

WIRING DIAGRAM MERIDIAN HEATED MODELS 120/208-240v

Three door models only



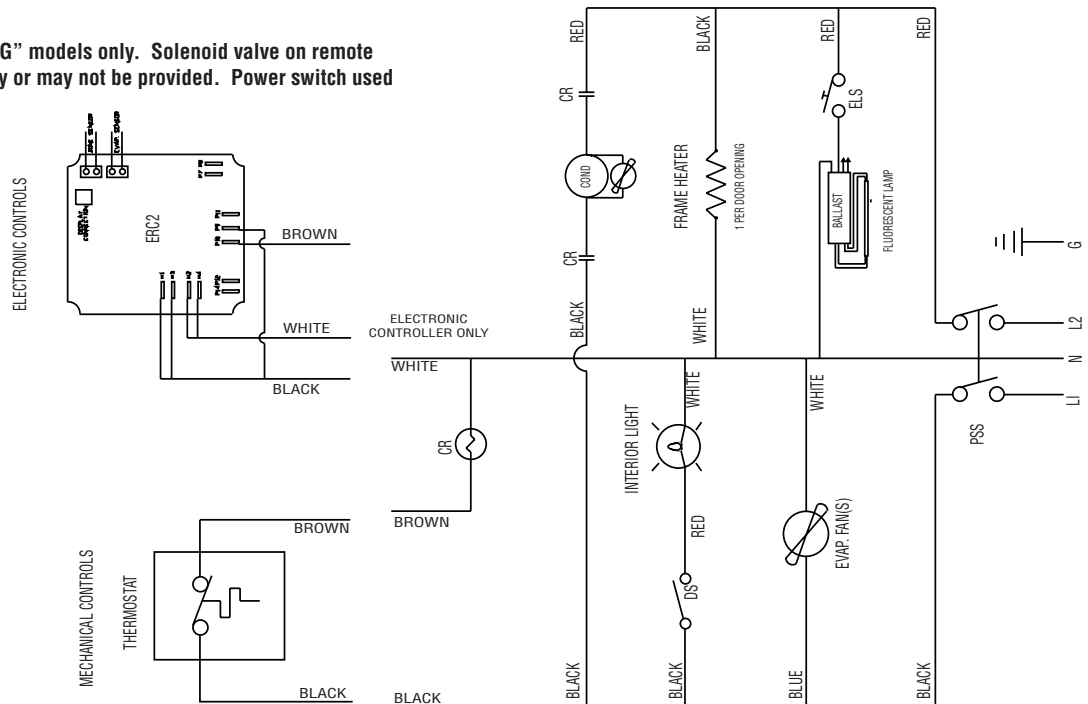
WIRING DIAGRAM MERIDIAN REFRIGERATORS 115v



WIRING DIAGRAM MERIDIAN REFRIGERATORS 115/208-230v

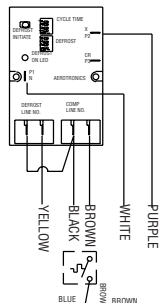
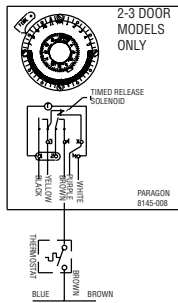
- CR COMPRESSOR RELAY
- PSS POWER SUPPLY SWITCH
- COND CONDENSING UNIT
- ELS EXTERNAL LIGHT SWITCH
- DS DOOR SWITCH

NOTE: Display lights are on "G" models only. Solenoid valve on remote models only. Power cord may or may not be provided. Power switch used with electronic controls only.

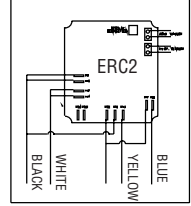


WIRING DIAGRAM MERIDIAN FREEZER 115v

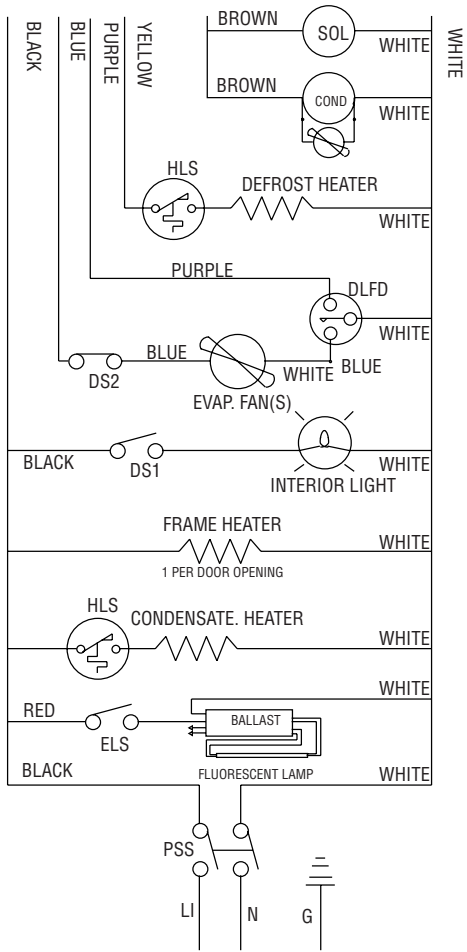
MECHANICAL CONTROLS



ELECTRONIC CONTROLS



220V



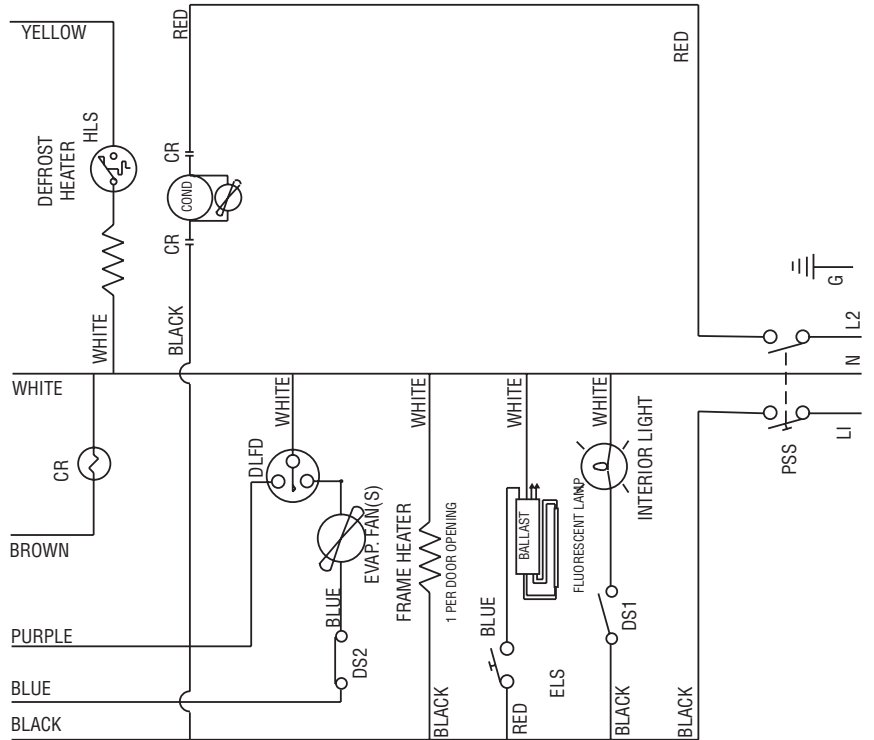
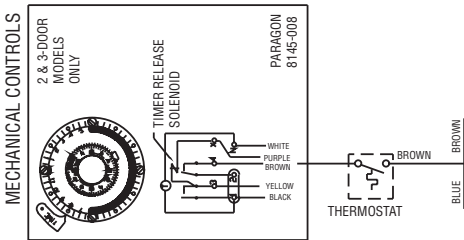
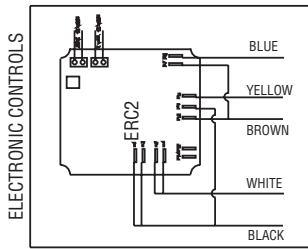
- PSS POWER SUPPLY SWITCH
- SOL SOLENOID VALVE
- HLS HIGH LIMIT SAFETY
- COND CONDENSING UNIT
- ELN EXTERNAL LIGHT SWITCH
- DS DOOR SWITCH
- DLFD DEFROST LIMIT FAN DELAY

NOTE: Display lights are on "G" models only. Solenoid valve and condensate heaters are on remote models only. Power cord may or may not be provided. Power switch used with electronic controls only.

WIRING DIAGRAM 115v MERIDIAN FREEZER



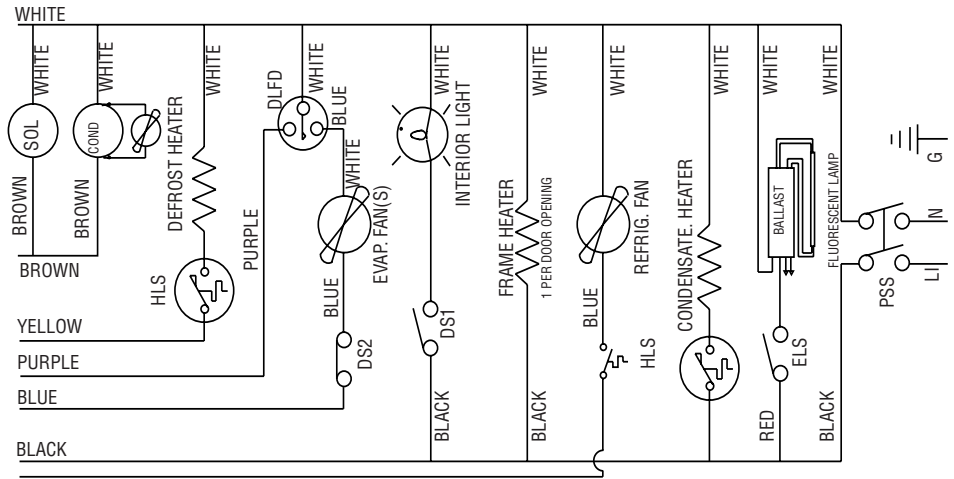
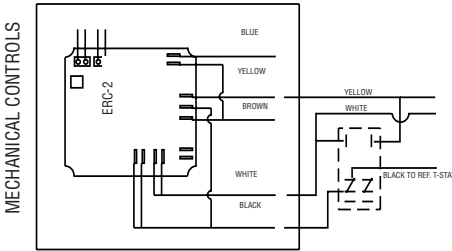
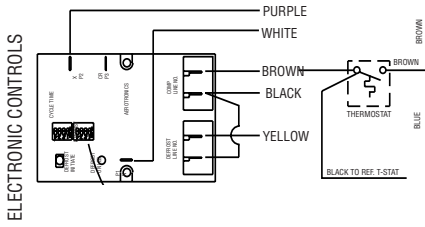
WIRING DIAGRAM MERIDIAN FREEZER 115/208-230v



- CR COMPRESSOR RELAY
- PSS POWER SUPPLY SWITCH
- HLS HIGH LIMIT SAFETY
- COND CONDENSING UNIT
- ELS EXTERNAL LIGHT SWITCH
- LPC LOW PRESSURE CONTROL
- DS DOOR SWITCH
- DLFD DEFROST LIMIT FAN DELAY

NOTE: Display lights are on "G" models only. Solenoid valve on remote models only. Power cord may or may not be provided. Power switch used with electronic controls only.

WIRING DIAGRAM MERIDIAN DUAL TEMP 115v



- PSS POWER SUPPLY SWITCH
- SOL SOLENOID VALVE
- HLS HIGH LIMIT SAFETY
- COND CONDENSING UNIT
- ELS EXTERNAL LIGHT SWITCH
- DS DOOR SWITCH
- DLFD DEFROST LIMIT FAN DELAY

NOTE: Display lights are on “G” models only. Solenoid valve and condensate heaters are on remote models only. Power cord may or may not be provided. Power switch used with electronic controls only.

Meridian Replacement Parts List

Parts listed in this manual are for base units only. For additional parts on units with added accessories and modifications, please call Delfield direct at 1-800-733-8829 or an authorized Parts Depot listed on the back cover.

MRR1-S	
Description	Part number
Door gasket	1702635
Evap fan motor	2162691
Temp control	2194224
Jamb switch	2194341
Shelf clip	3234782
Hinge	3234750
Door lock	3234752
Dial thermometer	3516323
Evap fan blade	3516172
Filter dryer	3516191
Evap coil	3516301
Cond unit	3526899
Wire shelf	3978176
Stainless steel leg	3234569
Black leg	3234791
Cord	2183348

MRR2-S	
Description	Part number
Door gasket	1702635
Evap fan motor	2162691
Temp control	2194224
Jamb switch	2194341
Shelf clip	3234782
Hinge	3234750
Door lock	3234752
Evap coil	3516303
Cond unit	3526901
Wire shelf	3978176
Stainless steel leg	3234569
Black leg	3234791
Cord	2183348

MRR3-S	
Description	Part number
Door gasket	1702635
Evap fan motor	2162691
Temp control	2194224
Jamb switch	2194341
Hinge	3234750
Door lock	3234752
Thermometer	3516313
Evap fan blade	3516274
Evap coil	3516303
Cond unit	3526903
Wire shelf	3978176
Stainless steel leg	3234569
Black leg	3234791
Cord	2183348

MFR1-S	
Description	Part number
Door gasket	1702635
Evap fan motor	2162691
Fan delay - 3 wire	2194046
Limit switch - 2 wire	2194235
Defrost heater	2194405
Shelf clip	3234782
Hinge	3234750
Door lock	3234752
Temp control	3516043
Dial thermometer	3516323
Evap fan blade	3516172
Timer defrost	3516300
Evap coil	3516302
Cond unit	3526907
Wire shelf	3978176
Jamb switch	5066440
Stainless steel leg	3234569
Black leg	3234791

MFR2-S	
Description	Part number
Door gasket	1702635
Evap fan motor	2162691
Fan delay - 3 wire	2194046
Limit switch 2-wire	2194235
Defrost timer	2194260
Defrost heater	2194579
Shelf clip	3234782
Hinge	3234750
Door lock	3234752
Temp control	3516043
Dial thermometer	3516323
Evap fan blade	3516274
Evap coil	3516304
Cond unit	3526911
Wire shelf	3978176
Stainless steel leg	3234569
Black leg	3234791
Cord	2183348
Jamb switch	5066440

MFR3-S	
Description	Part number
Door gasket	1702635
Evap fan motor	2162691
Fan delay - 3 wire	2194046
Temp control	2194224
Jamb switch	2194341
Paragon timer	2194260
Limit switch - 2 wire	2194235
Defrost heater	2194580
Shelf clip	3234782
Hinge	3234750
Door lock	3234752
Caster	3234755
Temp control	3516043
Evap fan blade	3516274
Evap coil	3516305
Dial thermometer	3516313
Cond unit	3526915
Wire shelf	3978176
Stainless steel leg	3234569
Black leg	3234791
Cord	2183347

MFR1-G	
Description	Part number
Door gasket	1701302
Evap fan motor	2162691
Cord lead	2183347
Heater wire	2184095
Rocker switch	2190154
18" fluorescent lamp	2193928
Lampholder	2193939
Fan delay	2194046
Safety switch	2194235
Defrost heater	2194405
Switch	2194550
Lamp ballast	2194578
Defrost fuse	2194631
Pull-down catch	3234746
Pull-down stricker	3234747
Edgemount hinge	3234750
Door/drawer lock	3234752
Shelf support clip	3234782
Stainless steel leg	3234569
Black leg	3234791
Glass door (full size)	3455498
Temp control	3516043

Fan blade	3516172
Vacuum breaker	3516204
Defrost timer	3516300
Evap coil	3516302
Dryer filter	3516322
Dial thermometer	3516323
Wire shelf	3978176

MFR3-G	
Description	Part number
Door gasket	1701302
Evap fan motor	2162691
Heater wire	2184095
Rocker switch	2190154
Fan delay	2194046
Safety switch	2194235
Paragon timer	2194260
Switch	2194550
Lamp ballast	2194362
Defrost heater	2194580
Pull-down catch	3234746
Pull-down stricker	3234747
Edgemount hinge	3234750
Door/drawer lock	3234752
Shelf support clip	3234782
Stainless steel leg	3234569
Black leg	3234791
Glass door (full size)	3455498
Temp control	3516043
Fan blade	3516174
Vacuum breaker	3516204
Evap coil	3516305
Dryer filter	3516227
Dial thermometer	3516134
Wire shelf	3978176

MD6R1-SH	
Description	Part number
Gasket	1702636
Evap fan motor	2162691
Fan delay - 3 wire	2194046
Switch safety - 2 wire	2194235
Switch momentary	2194341
Defrost heater	2194405
Temp control	2194588
Shelf clip	3234782
Hinge	3234750
Door lock	3234752
Temp control - frzr.	3516043
Thermometer	3516323
Evap fan blade	3516172
Fan guard	3516173
Expansion valve	3516271
Defrost timer	3516300
Evap. coil	3516302
Cond. unit	3526910
Wire shelf	3978176
Rocker switch	5066440
Stainless steel leg	3234569
Black leg	3234791
Cord	2183347

MD1R2-S & MD2R2-S	
Description	Part number
Gasket	1702635
Evap fan motor	2162691
Fan delay - 3 wire	2194046
Temp control	2194224
Switch safety - 2 wire	2194235
Defrost heater	2194405
Shelf clip	3234782
Hinge	3234750

Door lock	3234752
Temp control	3516043
Thermometer	3516323
Evap fan blade	3516172
Defrost timer	3516281
Evap. coil - ref.	3516301
Evap. coil - frzr.	3516302
Cond unit - ref.	3526899
Cond unit - frzr.	3526907
Wire shelf	3978176
Rocker switch	5066440
Stainless steel leg	3234569
Black leg	3234791
Cord	2183348
Jamb switch	2194341

MHR1-S & MHR2-S	
Description	Part number
Door gasket	1702673
Jamb switch	2194341
Temp sensor	2194370
Thermostat	2194372
Control knob	2194377
Rocker switch	2194409
Hi-limit switch	2194589
Heating element	2194605
Relay timer	2194618
Shelf clip	3234782
Hinge	3234750
Door lock	3234752
Dial thermometer	3516152
Wire shelf	3978171
Stainless steel leg	3234569
Black leg	3234791
Cord	2183348

MRR1N-S	
Description	Part number
Door gasket	1702638
Evap fan motor	2162691
Temp control	2194224
Momentary switch	2194341
Shelf clip	3234782
Hinge	3234750
Door lock	3234752
Dial thermometer	3516323
Evap fan blade	3516172
Evap coil	3516301
Cond unit	3526899
Wire Shelf	3978177
Stainless steel leg	3234569
Black leg	3234791
Cord	2183348

MRR2N-S	
Description	Part number
Door gasket	1702638
Evap fan motor	2162691
Temp control	2194224
Momentary switch	2194341
Shelf clip	3234782
Hinge	3234750
Door lock	3234752
Thermometer	3516323
Evap fan blade	3516274
Evap coil	3516303
Cond unit	3526901
Wire Shelf	3978177
Stainless steel leg	3234569
Black leg	3234791

Meridian Replacement Parts List

Cord	2183347	Momentary switch	2194341	Pull-down catch	3234746	Rocker switch	2190154
		Shelf clip	3234782	Pull-down stricker	3234747	Temp. control	2194224
		Hinge	3234750	Shelf clip	3234782	Shelf clip	3234782
MFR1N-S	Part number	Door lock	3234752	Hinge	3234750	Hinge	3234750
Description		Dial thermometer	3516323	Door lock	3234752	Door lock	3234752
Door gasket	1702638	Evap fan blade	3516274	Evap fan blade	3516274	Thermometer	3516323
Evap fan motor	2162691	Evap coil	3516306	Dryer filter	3516227	Evap fan blade	3516274
Fan delay - 3 wire	2194046	Cond unit	3526903	Evap coil	3516308	Evap coil	3516303
Safety switch - 2 wire	2194235	Wire Shelf	3978176	Cond unit	3526905	Cond unit	3526901
Heater defrost	2194405	Stainless steel leg	3234569	Wire shelf	3978176	Wire shelf	3978176
Shelf clip	3234782	Black leg	3234791	Stainless steel leg	3234569	Stainless steel leg	3234569
Hinge	3234750	Cord	2183347	Black leg	3234791	Black leg	3234791
Door lock	3234752			Cord	2183348	Cord	2183348
Temp control	3516043						
Thermometer	3516323						
Evap fan blade	3516172						
Evap coil	3516302						
Cond unit	3526907						
Wire Shelf	3978177						
Rocker switch	5066440						
Defrost timer	3516300						
Stainless steel leg	3234569						
Black leg	3234791						
Cord	2183347						
		MRPT3-S					
		Description	Part number				
		Door gasket	1702635				
		Evap fan motor	2162691				
		Temp control	2194224				
		Momentary switch	2194341				
		Pull-down catch	3234746				
		Pull-down stricker	3234747				
		Shelf clip	3234782				
		Hinge	3234750				
		Door lock	3234752				
		Dial thermometer	3516134				
		Evap fan blade	3516274				
		Evap coil	3516306				
		Cond unit	3526903				
		Wire Shelf	3978176				
		Stainless steel leg	3234569				
		Black leg	3234791				
		Cord	2183347				
		MRPT1-G					
		Description	Part number				
		Door gasket	1701302				
		Evap fan motor	2162691				
		Rocker switch	2190154				
		Temp control	2194224				
		Momentary switch	2194341				
		Shelf clip	3234782				
		Hinge	3234750				
		Door lock	3234752				
		Dial thermometer	3516323				
		Evap fan blade	3516172				
		Evap. coil	3516301				
		Cond. unit	3526901				
		Wire Shelf	3978176				
		Stainless steel leg	3234569				
		Black leg	3234791				
		Cord	2183348				
		MRPT2-G					
		Description	Part number				
		Door gasket	1701302				
		Evap fan motor	2162691				
		Rocker switch	2190154				
		Temp control	2194224				
		Momentary switch	2194341				
		Shelf clip	3234782				
		Hinge	3234750				
		Door lock	3234752				
		Evap fan blade	3516274				
		Evap. coil	3516306				
		Cond. unit	3526903				
		Wire shelf	3978176				
		Stainless steel leg	3234569				
		Black leg	3234791				
		Cord	2183348				
		MRPT2-S					
		Description	Part number				
		Door gasket	1702635				
		Evap fan motor	2162691				
		Temp control	2194224				
		Momentary switch	2194341				
		Shelf clip	3234782				
		Hinge	3234750				
		Door lock	3234752				
		Dial thermometer	3516323				
		Evap fan blade	3516172				
		Evap coil	3516301				
		Cond unit	3526901				
		Wire Shelf	3978176				
		Stainless steel leg	3234569				
		Black leg	3234791				
		Cord	2183348				
		MRPT3-G					
		Description	Part number				
		Door gasket	1701302				
		Evap fan motor	2162691				
		Rocker switch	2190154				
		Temp control	2194224				
		Door gasket	1701302				
		Evap fan motor	2162691				
		Rocker switch	2190154				
		Temp control	2194224				
		MRPT1-S					
		Description	Part number				
		Door gasket	1702635				
		Evap fan motor	2162691				
		Temp control	2194224				
		Momentary switch	2194341				
		Shelf clip	3234782				
		Hinge	3234750				
		Door lock	3234752				
		Dial thermometer	3516323				
		Evap fan blade	3516172				
		Evap coil	3516301				
		Cond unit	3526901				
		Wire Shelf	3978176				
		Stainless steel leg	3234569				
		Black leg	3234791				
		Cord	2183348				
		MRPT2-S					
		Description	Part number				
		Door gasket	1702635				
		Evap fan motor	2162691				
		Temp control	2194224				
		MFR2N-S					
		Description	Part number				
		Door gasket	1702638				
		Evap fan motor	2162691				
		Cord lead	2183347				
		Heater wire	2184099				
		Light bulb	2194005				
		Shelf clip	3234782				
		Fan delay	2194046				
		Safety switch	2194235				
		Paragon timer	2194260				
		Pull-down catch	3234746				
		Pull-down stricker	3234747				
		Hinge	3234750				
		Door/drawer lock	3234752				
		Shelf support clip	3234782				
		Stainless steel leg	3234569				
		Black leg	3234791				
		Temperature control	3516043				
		Pressure regulator	3516193				
		Vacuum breaker	3516204				
		Fan blade	3516274				
		Evap coil	3516304				
		Dryer filter	3516322				
		Dial thermometer	3516323				
		Wire shelf	3978177				
		Rocker switch	5066440				
		MFR1N-S					
		Description	Part number				
		Door gasket	1702638				
		Evap fan motor	2162691				
		Fan delay - 3 wire	2194046				
		Safety switch - 2 wire	2194235				
		Heater defrost	2194405				
		Shelf clip	3234782				
		Hinge	3234750				
		Door lock	3234752				
		Temp control	3516043				
		Thermometer	3516323				
		Evap fan blade	3516172				
		Evap coil	3516302				
		Cond unit	3526907				
		Wire Shelf	3978177				
		Rocker switch	5066440				
		Defrost timer	3516300				
		Stainless steel leg	3234569				
		Black leg	3234791				
		Cord	2183347				
		MFR2N-S					
		Description	Part number				
		Door gasket	1702638				
		Evap fan motor	2162691				
		Cord lead	2183347				
		Heater wire	2184099				
		Light bulb	2194005				
		Shelf clip	3234782				
		Fan delay	2194046				
		Safety switch	2194235				
		Paragon timer	2194260				
		Pull-down catch	3234746				
		Pull-down stricker	3234747				
		Hinge	3234750				
		Door/drawer lock	3234752				
		Shelf support clip	3234782				
		Stainless steel leg	3234569				
		Black leg	3234791				
		Temperature control	3516043				
		Pressure regulator	3516193				
		Vacuum breaker	3516204				
		Fan blade	3516274				
		Evap coil	3516304				
		Dryer filter	3516322				
		Dial thermometer	3516323				
		Wire shelf	3978177				
		Rocker switch	5066440				
		MFR1N-S					
		Description	Part number				
		Door gasket	1702638				
		Evap fan motor	2162691				
		Fan delay - 3 wire	2194046				
		Safety switch - 2 wire	2194235				
		Heater defrost	2194405				
		Shelf clip	3234782				
		Hinge	3234750				
		Door lock	3234752				
		Temp control	3516043				
		Thermometer	3516323				
		Evap fan blade	3516172				
		Evap coil	3516302				
		Cond unit	3526907				
		Wire Shelf	3978177				
		Rocker switch	5066440				
		Defrost timer	3516300				
		Stainless steel leg	3234569				
		Black leg	3234791				
		Cord	2183347				
		MFR2N-S					
		Description	Part number				
		Door gasket	1702638				
		Evap fan motor	2162691				
		Cord lead	2183347				
		Heater wire	2184099				
		Light bulb	2194005				
		Shelf clip	3234782</				

Meridian Replacement Parts List

Thermometer 3516152
Wire shelf 3978171

MHPT1-G

Description	Part number
Glass door gasket	1701303
Rocker switch	2190154
Jamb switch	2194341
Temperature sensor	2194370
Thermostat	2194372
Control knob	2194377
Rocker switch	2194409
Hi-limit switch	2194589
Heating element	2194605
Timer relay	2194618
Stainless steel leg	3234569
Black leg	3234791
Shelf clip	3234782
Hinge	3234750
Door lock	3234752
Thermometer	3516152
Wire shelf	3978171

MRRT1-G

Description	Part number
Door gasket	1702637
Evap fan motor	2162691
Rocker switch	2190154
Light bulb	2193928
Lampholder	2193939
Lampholder	2193940
Temperature control	2194224
Jamb switch	2194341
Door lock	3234752
Thermometer	3516323
Evap fan blade	3516172
Evap coil	3516301
Cond unit	3526903
Cord	2183348
Stainless steel leg	3234569
Black leg	3234791

MRRT1-S

Description	Part number
Door gasket	1702637
Evap fan motor	2162691
Light bulb	2194005
Light socket	2194145
Temperature control	2194224
Jamb switch	2194341
Door lock	3234752
Thermometer	3516323
Evap fan blade	3516172
Evap coil	3516301
Cond unit	3526903
Cord	2183348
Stainless steel leg	3234569
Black leg	3234791

MRRT2-S

Description	Part number
Door gasket	1702637
Evap fan motor	2162691
Temperature control	2194224
Switch	2194341
Relay	2194575
Door lock	3234752
Hinge	3234766
Evap fan blade	3516274
Evap coil	3516306
Exp. Valve	3516316
Cond unit	3526906
Stainless steel leg	3234569
Black leg	3234791

MHPT2-G

Description	Part number
Gasket	1701303
Blower motor	2162516

Rocker switch	2190154
Temperature sensor	2194370
Thermostat	2194372
Control knob	2194377
Rocker switch	2194409
Hi-limit switch	2194589
Heating element	2194605
Relay timer	2194618
Stainless steel leg	3234569
Black leg	3234791
Shelf clip	3234782
Hinge	3234750
Door lock	3234752
Thermometer	3516152
Shelf	3978171

MRR1S-S

Description	Part number
Door gasket	1702635
Evap fan motor	2162691
Temp control	2194224
Momentary switch	2194341
Hinge	3234750
Door lock	3234752
Thermometer	3516323
Evap fan blade	3516172
Evap coil	3516301
Cond unit	3526899
Wire shelf	3978178
Stainless steel leg	3234569
Black leg	3234791
Cord	2183348

MFR1S-S

Description	Part number
Door gasket	1702635
Evap fan motor	2162691
Fan delay - 3 wire	2194046
Safety switch - 2 wire	2194235
Momentary switch	2144341
Defrost heater	2194405
Shelf clip	3234782
Hinge	3234750
Door lock	3234752
Temp control	3516043
Thermometer	3516323
Evap fan blade	3516172
Defrost timer	3516300
Evap coil	3516302
Cond unit	3526907
Wire shelf	3978178
Rocker switch	5066440
Stainless steel leg	3234569
Black leg	3234791
Cord	2183347

MHRT1-S

Description	Part number
Door gasket	1702675
Fan wheel	2160005
Electric motor	2160017
Rocker switch	2190154
Heating element	2190273
Momentary switch	2194341
Temperature sensor	2194370
Thermostat	2194372
Control knob	2194377
Rocker switch	2194409
Hi-limit switch	2194589
Door lock	3234752
Thermometer	3516152
Stainless steel leg	3234569
Black leg	3234791

MFR1I-S

Description	Part number
Door gasket	1702637
Fan delay - 3 wire	2194046
Limit switch - 2 wire	2194235

Defrost heater	2194405
Door lock	3234752
Temp control	3516043
Dial thermometer	3516323
Evap fan blade	3516172
Expansion valve	3516271
Defrost timer	3516300
Evap coil	3516302
Cond unit	3526910
Rocker switch	5066440
Cord	2183347
Stainless steel leg	3234569
Black leg	3234791

MRR1I-S

Description	Part number
Door gasket	1702637
Evap fan motor	2162691
Temp control	2194224
Momentary switch	2194341
Door lock	3234752
Hinge	3234766
Dial thermometer	3516323
Evap fan blade	3516172
Evap coil	3516301
Cond unit	3526901
Cord	2183348
Stainless steel leg	3234569
Black leg	3234791

MRR1I2-S

Description	Part number
Door gasket	1702637
Evap fan motor	2162691
Temp control	2194224
Momentary switch	2194341
Door lock	3234752
Hinge	3234766
Dial thermometer	3516323
Evap fan blade	3516274
Evap coil	3516306
Cond unit	3526903
Cord	2183348
Stainless steel leg	3234569
Black leg	3234791

MRRT2-G

Description	Part number
Door gasket	1701310
Evap fan motor	2162691
Rocker switch	2190154
Rocker switch	2194400
Relay	2194575
Door lock	3234752
Hinge	3234766
Dial thermometer	3516323
Evap fan blade	3516274
Evap coil	3516306
Expansion valve	3516316
Cond unit	3526906
Temp Control	2194224
Stainless steel leg	3234569
Black leg	3234791

MHRT2-S

Description	Part number
Door gasket	1702675
Fan wheel	2160005
Electric motor	2160017
Rocker switch	2190154
Heating element	2190273
Momentary switch	2194341
Temp sensor	2194370
Heated thermostat	2194372
Control knob	2194377
Rocker switch	2194409
Hi-limit switch	2194589
Door lock	3234752
Hinge	3234766

Dial thermometer	3516152
Stainless steel leg	3234569
Black leg	3234791

MHRT1-S

Description	Part number
Door gasket	1702675
Fan wheel	2160005
Electric motor	2160017
Rocker switch	2190154
Heating element	2190273
Momentary switch	2194341
Temp sensor	2194370
Heated thermostat	2194372
Control knob	2194377
Rocker switch	2194409
Door lock	3234752
Hinge	3234766
Dial thermometer	3516152
Stainless steel leg	3234569
Black leg	3234791

MRR3-G

Description	Part number
Door gasket	1701302
Fan motor	2162691
Rocker switch	2190154
Temperature control	2194224
Momentary switch	2194341
Shelf support clip	3234782
Door lock	3234752
Full glass door	3455497
Fan blade	3516274
Evaporator coil	3516307
Dial thermometer	3516134
Cond unit	3526903
Wire shelf	3978176
Hinge	3234750
Stainless steel leg	3234569
Black leg	3234791
Cord	2183348

MRPT1-GS

Description	Part number
Door gasket	1701302
Fan motor	2162691
Lead cord	2183348
Heater wire	2184095
Rocker switch	2190154
Temperature control	2194224
Pull-down catch	3234746
Pull-down stricker	3234747
Hinge	3234750
Door/drawer lock	3234752
Shelf support clip	3234782
Stainless steel leg	3234569
Black leg	3234791
Fan blade	3516172
Evap coil	3516301
Dryer filter	3516322
Dial thermometer	3516323
Wire shelf	3978176

MRPT2-GS

Description	Part number
Door gasket	1701302
Fan motor	2162691
Lead cord	2183348
Heater wire	2184095
Rocker switch	2190154
Temperature control	2194224
Pull-down catch	3234746
Pull-down stricker	3234747
Hinge	3234750
Door/drawer lock	3234752
Shelf support clip	3234782
Stainless steel leg	3234569



Meridian Replacement Parts List

Black leg	3234791
Fan blade	3516174
Evap coil	3516306
Dryer filter	3516322
Dial thermometer	3516323
Wire shelf	3978176

MRPT3-GS

Description	Part number
Door gasket	1701302
Fan motor	2162691
Heater wire	2184095
Rocker switch	2190154
Temperature control	2194224
Pull-down catch	3234746
Pull-down stricker	3234747
Hinge	3234750
Door/drawer lock	3234752
Shelf support clip	3234782
Leg	3234791
Fan blade	3516174
Evap coil	3516308
Dryer filter	3516227
Dial thermometer	3516134
Wire shelf	3978176

MFPT2-S

Description	Part number
Door gasket	1702635
Fan blade	2162500
Fan motor	2162667
Wire heater	2184095
Fan delay	2194046
Paragon timer	2194260
Leg 4"	3234685
Pull-down catch	3234746
Pull-down stricker	3234747
Hinge	3234750
Door/drawer lock	3234752
Leg 6"	3234791
Shelf support clip	3234782
Temp control	3516043
Dryer filter	3516227
Evap coil	3516304
Expansion valve	3516317
Dial thermometer	3516323
Wire shelf	3978176
Switch rocker	5066440

STANDARD LABOR GUIDELINES TO REPAIR OR REPLACE PARTS ON DELFIELD EQUIPMENT

Advice and recommendations given by Delfield Service Technicians do not constitute or guarantee any special coverage.

- A maximum of 1-hour is allowed to **diagnose a defective component**.
- A maximum of 1-hour is allowed for **retrieval of parts** not in stock.
- A maximum **travel distance** of 100 miles round trip and 2-hours will be reimbursed.
- Overtime, installation/start-up, normal control adjustments, general maintenance, glass breakage, freight damage, and/or correcting and end-user installation error will not be reimbursed under warranty unless pre-approved with a **Service Work Authorization** from Delfield. You must submit the number with the service claim.

LABOR OF 1-HOUR IS ALLOWED TO REPLACE:

- Thermostat
- Infinite Switch
- Door Jamb Switch
- Solenoid Coil
- Hi-limit/Thermal Protector Switch
- Fan Delay/Defrost Termination Switch
- Compressor Start Components and Overload Protector
- Defrost Timer
- Thermometer
- Gear Box
- Contactor/Relay
- Transformer
- Evaporator/Condenser Fan Motor and Blade
- Circulating Fan Motor and Blade
- Microprocessor Control
- Water Level Sensor/Probe
- Door Hinges, Locks, and Gaskets
- Condensate Element
- Springs/Lowerator

LABOR OF 2 HOURS TO REPLACE:

- Drawer Tracks/Cartridges
- Pressure Control
- Solenoid Valve
- Defrost Element
- Heating Element
- Locate/Repair Leak

LABOR OF 3 HOURS TO REPLACE:

- EPR or CPR Valve
- Expansion Valve
- Condenser or Evaporator Coil

LABOR OF 4 HOURS TO REPLACE

- Compressor

This includes recovery of refrigerant and leak check.

\$35.00 maximum reimbursement for refrigerant recovery (includes recovery machine, pump, torch, oil, flux, minor fittings, solder, brazing rod, nitrogen, or similar fees.)

REFRIGERANTS

- R22 A maximum of \$4.00/lb. or 25¢/oz. will be reimbursed.
- R134A A maximum of \$5.00/lb. or 31¢/oz. will be reimbursed.
- R404A A maximum of \$12.00/lb. or 75¢/oz. will be reimbursed.

Standard One Year Warranty (One year service, labor and parts - Meridian)

The Delfield Company ("Delfield") warrants to the Original Purchaser of the Delfield product (herein called the "Unit") that such Unit, and all parts thereof, will be free from defects in material and workmanship under normal use and service for a period of one (1) year from the date of shipment of the Unit to the Original Purchaser **or, if the Original Purchaser returns the warranty card completely filled out including the date of installation within thirty (30) days of receipt of the Unit, one (1) year from the date of installation.** During this one year warranty period, Delfield will repair or replace any defective part or portion thereof returned to Delfield by the Original Purchaser which Delfield determines was defective due to faulty material or workmanship. The Original purchaser will pay all labor, crating, freight and related costs incurred in the removal of the Unit of defective component and shipment to Delfield, except that during a period of either ninety (90) days from the date of shipment of the Unit to the Original Purchaser or, if the Original Purchaser returns the warranty card completely filled out including the date of installation within thirty (30) days of receipt of the Unit, ninety (90) days from the date of installation Delfield will pay all related labor costs. Delfield will pay the return costs if the Unit or part thereof was defective.

The term "Original Purchaser" as used herein means that person, firm, association, or corporation for whom the Unit was originally installed.

This warranty does not apply to any Unit or part thereof that has been subjected to misuse, neglect, alteration, or accident, such as accidental damage to the exterior finish, operated contrary to the recommendations specified by Delfield; or repaired or altered by anyone other than Delfield in any way so as to, in Delfield's sole judgement, affect its quality or efficiency. This warranty does not apply to any Unit that has been moved from the location where it was originally installed. This warranty also does not cover the refrigerator drier or the light bulbs used in the Unit. **The warranty is subject to the user's normal maintenance and care responsibility as set forth in the Service and Installation Manual, such as cleaning the condenser coil, and is in lieu of all other obligations of Delfield. Delfield neither assumes, nor authorizes any other person to assume for Delfield, any other liability in connection with Delfield's products.**

Removal or defacement of the original Serial Number or Model Number from any Unit shall be deemed to release Delfield from all obligations hereunder or any other obligations, express or implied.

Parts furnished by suppliers to Delfield are guaranteed by Delfield only to the extent of the original manufacturer's express warranty to Delfield. Failure of the Original Purchaser to receive such manufacturer's express warranty to Delfield. Failure of the Original Purchaser to receive such manufacturer's warranty shall in no way create any warranty, expressed or implied, or any other obligation or liability on Delfield's part in respect thereof.

IF THE CUSTOMER IS USING A PART THAT RESULTS IN A VOIDED WARRANTY AND A DELFIELD AUTHORIZED REPRESENTATIVE TRAVELS TO THE INSTALLATION ADDRESS TO PERFORM WARRANTY SERVICE, THE SERVICE REPRESENTATIVE WILL ADVISE CUSTOMER THE WARRANTY IS VOID. SUCH SERVICE CALLS WILL BE BILLED TO CUSTOMER AT THE AUTHORIZED SERVICE CENTER'S THEN APPLICABLE TIME AND MATERIALS RATES. CONSIDER: CUSTOMER MAY INITIATE A SERVICE AGREEMENT WITHOUT PARTS COVERAGE.

If shipment of a replacement part is requested prior to the arrival in the Delfield factory of the part claimed to be defective, the Original Purchaser must accept delivery of the replacement part of a C.O.D. basis, with credit being issued after the part has been received and inspected at Delfield's plant and determined by Delfield to be within this warranty.

Under no condition does this warranty give the Original Purchaser the right to replace the defective Unit with a complete Unit of the same manufacturer or of another make. Unless authorized by Delfield in writing, this warranty does not permit the replacement of any part, including the motor-compressor, to be made with the part of another make or manufacturer.

No claims can be made under this warranty for spoilage of any products for any reason, including system failure.

The installation contractor shall be responsible for building access, entrance and field conditions to insure sufficient clearance to allow any hood(s), vent(s), or Unit(s) if necessary, to be brought into the building. Delfield will not be responsible for structural changes or damages incurred during installation of the Unit or any exhaust system.

Delfield shall not be liable in any manner for any default or delay in performance hereunder caused by or resulting from any contingency beyond Delfield's control, including, but not limited to, war, governmental restrictions or restraints, strike, lockouts, injunctions, fire, flood, acts of nature, short or reduced supply of raw materials, or discontinuance of the parts by the original part manufacturer.

Except as provided in any Additional Four Year Protection Plan, if applicable, and the Service Labor Contract, if applicable, the foregoing is exclusive and in lieu of all other warranties, whether written or oral, express or implied. This warranty supersedes and excludes any prior oral or written representations or warranties. Delfield expressly disclaims any implied warranties of merchantability, fitness for a particular purpose of compliance with any law, treaty, rule or regulation relating to the discharge of substances into the environment. The sole and exclusive remedies of any person relating to the Unit, and the full liability of Delfield for any breach of this warranty, will be as provided in this warranty.

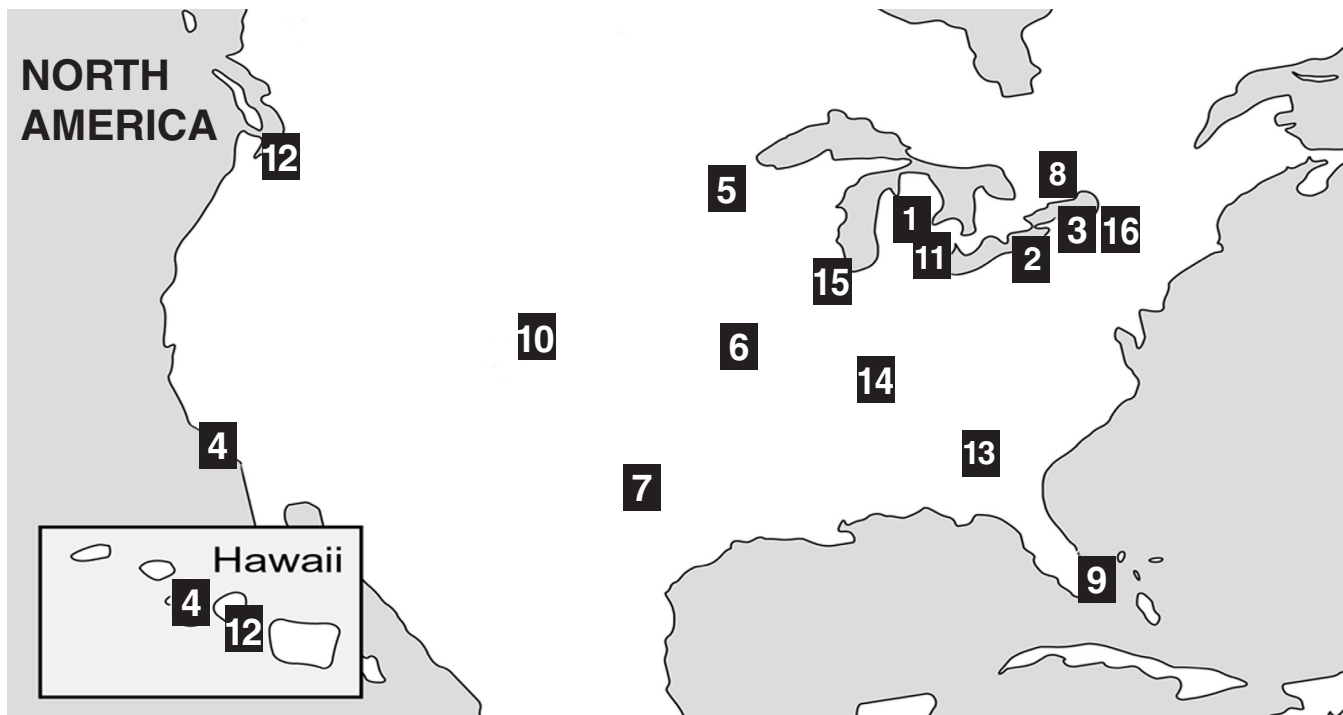
Other than this Delfield Standard One Year Limited Warranty, any applicable Delfield Additional Four Year Protection Plan or applicable Delfield Service Labor Contract, the Original Purchaser agrees and acknowledges that no other warranties are offered or provided in connection with or for the unit or any other part thereof.

In no event will Delfield be liable for special, incidental or consequential damages, or for damages in the nature of penalties.

IF DURING THE WARRANTY PERIOD, CUSTOMER USES A PART FOR THIS DELFIELD EQUIPMENT OTHER THAN AN UNMODIFIED NEW OR RECYCLED PART PURCHASED DIRECTLY FROM DELFIELD OR ANY OF ITS AUTHORIZED SERVICE CENTERS AND/OR THE PART BEING USED IS MODIFIED FROM ITS ORIGINAL CONFIGURATION, THIS WARRANTY WILL BE VOID. FURTHER, DELFIELD AND ITS AFFILIATES WILL NOT BE LIABLE FOR ANY CLAIMS DAMAGES OR EXPENSES INCURRED BY THE CUSTOMER WHICH ARISE DIRECTLY OR INDIRECTLY, IN WHOLE OR IN PART, DUE TO THE INSTALLATION OF ANY MODIFIED PART AND/OR PART RECEIVED FROM AN UNAUTHORIZED SERVICE CENTER. If the warranty becomes void, Customer may purchase from Delfield, if available, a Service Agreement or service at the then current time and materials rate.

For more information on Delfield warranty's log on and check out the service section of our web site at www.delfield.com.





Delfield has 16 conveniently located Parts Depots to ensure parts are handled promptly and accurately.

<p>1) The Delfield Company</p> <p>980 South Isabella Road Mt. Pleasant, MI 48858 800.733.8829 989.773.7981 989.773.3210 FAX custom parts direct from Delfield</p>	<p>2) A.I.S. Commercial Parts & Service</p> <p>1816 West 26th Street Erie, PA 16508-1149 800.332.3732 814.456.3732 814.452.4843 FAX serves: MD, NJ, OH, PA, VA, WV</p>	<p>3) Appliance Installation Service</p> <p>1336 Main Street Buffalo, NY 14209 800.722.1252 716.884.7425 716.884.0410 FAX serves: CT, DC, DE, MA, MD, ME, NH, NJ, NY, PA, RI, VA, VT, WV</p>	<p>4) Pacific Coast Parts</p> <p>15024 Staff Court Gardena, CA 90248 800.531.1111 800.782.5747 Email: orders@pacparts.com www.pacparts.com serves: AZ, CA, HI, NV, OR</p>
<p>5) Contract Ice</p> <p>14450 Ewing Ave S. #100 Burnsville, MN 55306 800.422.2823 952.894.4427 952.894.2164 FAX serves: IA, MN, MT, ND, SD, WI</p>	<p>6) E.M.C.O. Sales & Distributors</p> <p>3909 St. Timothy Lane St. Ann, MO 63074 800.972.7670 314.427.7477 314.427.8190 FAX serves: AR, IA, IL, KS, KY, MO, NE, OK, TX, NM, LA</p>	<p>7) Stove Parts Supply/GCS Service</p> <p>2120 Solona St. PO Box 14009 Fort Worth, TX 76117-0009 800.433.1804 800.272.7358 fax serves: AR, LA, NM, OK, TX</p>	<p>8) Garland Group</p> <p>1177 Kamato Road Mississauga, Ontario L4W1X4 800.427.6668 800.361.7745 FAX serves: Canada</p>
<p>9) Global Parts and Supplies</p> <p>2920 N.W. 109th Avenue Miami, FL 33172 305.994.9994 305.994.9992 FAX International parts depot</p>	<p>10) Hawkins Commercial Appl. Svc.</p> <p>3000 S. Wyandot Englewood, CO 80110 800.624.2117 303.761.8861 FAX serves: AZ, CO, KS, NE, NM, OK, UT, WY</p>	<p>11) MicroDine, Inc.</p> <p>44792 Helm Plymouth, MI 48170 888.828.4454 734.451.2043 734.451.3215 FAX serves: MI, IN, WI, OH</p>	<p>12) Performance Refrigeration Parts</p> <p>9923 S.W. 178th St. Vashon, WA 98070 888.872.2465 206.463.1772 206.463.4431 FAX serves: AK, HI, ID, MT, OR, WA</p>
<p>13) Heritage Food Svc. Eq. of GA, Inc.</p> <p>2100 Norcross Parkway, Suite 130 Norcross, GA 30071 866.388.9837 866.388.9838 FAX serves: FL, GA, MS, NC, SC, VA</p>	<p>14) T.M.A.</p> <p>2916 Sidco Drive Nashville, TN 37204 615.726.0351 800.737.0351 615.259.4100 FAX serves: TN, AL</p>	<p>15) Heritage Food Svc. Eq. Inc.</p> <p>5130 Executive Blvd. Fort Wayne, IN 46808 800.458.5593 800.800.4981 FAX serves: IL, IN, MI, OH, WI</p>	<p>16) Northern Parts & Service</p> <p>21 Northern Avenue Plattsburgh, NY 12903 800.634.5005 800.782.5424 FAX serves: CT, DC, DE, MA, MD, ME, NH, NJ, NY, PA, RI, VA, VT, WV</p>

