



248 Series

Water And Ice Station

Project _____
 Item _____
 Quantity _____
 CSI Section 11400
 Approved _____
 Date _____

248 Series Water And Ice Station

Models

- 248 Water and ice station



248

Standard Features

- 18-gauge stainless steel top with raised die stamped opening
- One-piece stainless lift off cover with handle
- ABS plastic interior liner with covered corners
- 1" diameter drain plumbed out the bottom
- High-density environmentally friendly, Kyoto Protocol Compliant, Non ODP (Ozone Depletion Potential), Non GWP (Global Warming Potential) polyurethane foam throughout unit
- Exterior tank is made of galvanized steel
- Glass filler is 9.5" high, over a dies stamped drain opening fitted with chrome plated wire strainer
- One year parts and 90 day labor standard warranty

Options & Accessories

- Pitcher filler

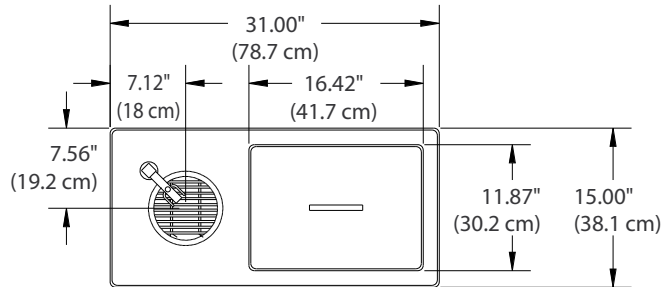
Specifications

Top is 18-gauge stainless steel. Top mounts a 9.5" (24.1 cm) high glass filler over die-stamped drain opening fitted with chrome-plated wire strainer. Bin opening is die-stamped with .19" (.48 cm) raised edge, measures 10.5" x 15.13" (26.7 x 38.4 cm), has one-piece lift-off stainless steel cover.

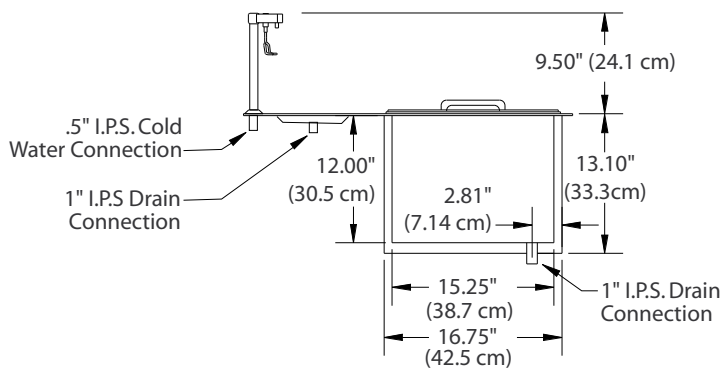
Bin liner is high-impact ABS plastic, has covered corners and is pitched to 1" (2.54 cm) diameter drain. Sides and bottom of bin insulated with high-density environmentally friendly, Kyoto Protocol Compliant, Non ODP (Ozone Depletion Potential), Non GWP (Global Warming Potential) polyurethane. Bin holds 45 pounds of ice.

Exterior housing is 24-gauge galvanized steel.

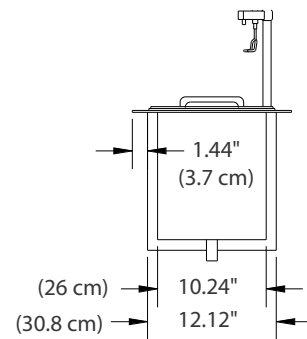




Plan View



Elevation View



Side View

Specifications						
Model	L	D	H	Cutout Size	Ice Capacity	Ship Weight
248	31" (78.7cm)	15" (38.1cm)	22.6" (57.4cm)	28" x 12.5" (71.1cm x 31.8cm)	45lbs (20kg)	28lbs (13kg)

Delfield reserves the right to make changes to the design or specifications without prior notice.