



# 305

Ice Chest Drop-In

Project \_\_\_\_\_

Item \_\_\_\_\_

Quantity \_\_\_\_\_

CSI Section 11400

Approved \_\_\_\_\_

Date \_\_\_\_\_

# 305: Ice Chest Drop-In

## Models

- 305 45 pound ice capacity chest with ABS plastic interior liner



305

## Standard Features

- 20-gauge stainless steel top with raised die stamped opening
- Galvanized exterior body
- One piece stainless lift off cover with handle
- 1" diameter drain plumbed out the bottom
- High-density environmentally friendly, Kyoto Protocol Compliant, Non ODP (Ozone Depletion Potential), Non GWP (Global Warming Potential) polyurethane foam throughout unit
- ABS plastic interior liner with covered corners
- One year parts and 90 day labor standard warranty

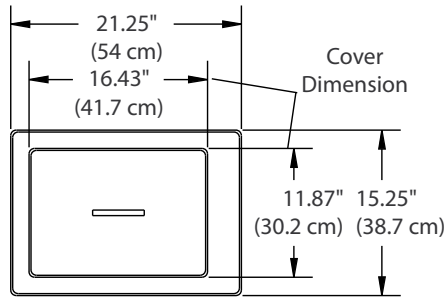
## Specifications

Top is 20-gauge stainless steel with .19" (.48 cm) raised edge on die-stamped 15.13" x 10.5" (38.4 x 26.7 cm) opening. Opening is fitted with one-piece cover in 20-gauge stainless steel.

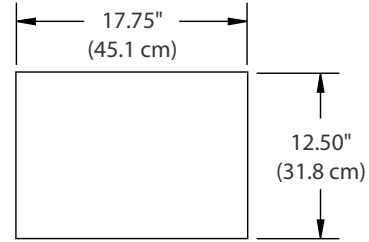
Ice compartment has liner of ABS plastic with covered corners and has 1" (2.54cm) diameter drain. Sides and bottom insulated with high-density closed-cell environmentally friendly, Kyoto Protocol Compliant, Non ODP (Ozone Depletion Potential), Non GWP (Global Warming Potential) polyurethane. Bin holds 45 pounds of ice.

Exterior housing is 24-gauge galvanized steel.

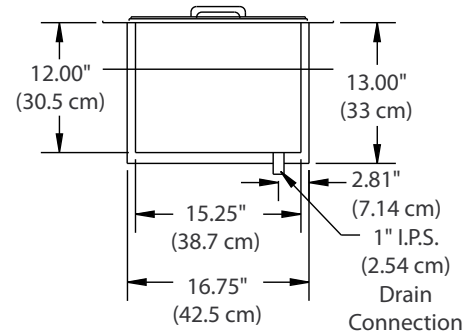




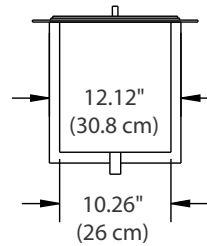
305 Plan View



305 Cutout Dimensions



305 Elevation View



305 End View

| Specifications |                  |             |
|----------------|------------------|-------------|
| Model          | Storage Capacity | Ship Weight |
| 305            | 45 lbs           | 18lbs (8kg) |

Delfield reserves the right to make changes to the design or specifications without prior notice.