



ESSW36

E-Chef™ Soupwell Module

Project _____
 Item _____
 Quantity _____
 CSI Section 11400
 Approved _____
 Date _____

ESSW36: E-Chef™ Soupwell Module

Models

ESSW36 36" soupwell module



ESSW36

Standard Features

- Stainless steel top and sides
- Individual wells with infinite controls
- Drain and gate valve standard
- Stainless steel bottom shelf with 3" riser at the rear
- Standard on flanged feet
- Standard with removable adapter plate to accommodate (2) 8.5" diameter pans

Options & Accessories

- Adaptor bars or plates
- Raceway (shipped loose)

Specifications

Exterior: Top is one-piece heavy-gauge stainless steel with integral 2.12" square nosing on front with 1.62" turn up at the rear. Sides are heavy-gauge single thickness stainless steel with 2" bends on front and rear.

Top: Top is available with (1) 11.87"x19.87" sealed individual well with adaptor plate to accommodate (2) 8.5" diameter by 6" deep pans. The well is constructed of heavy-gauge stainless steel with 1/2" drain and gate valve. The well is controlled with an infinite control and is mounted on the front of the stainless steel apron. The well has a 1000 watt heating element with high limit safety switch.

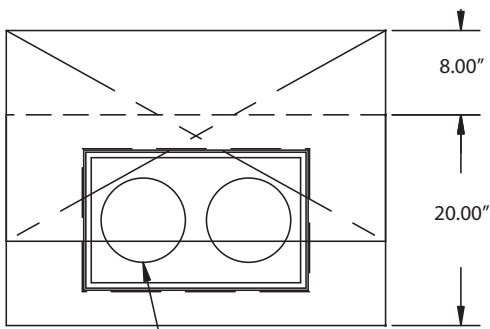
Interior: Bottom shelf is heavy-gauge stainless steel with 3" high riser at the rear.

Electrical: Units are standard with 120V electrical and must be hard wired in the field.

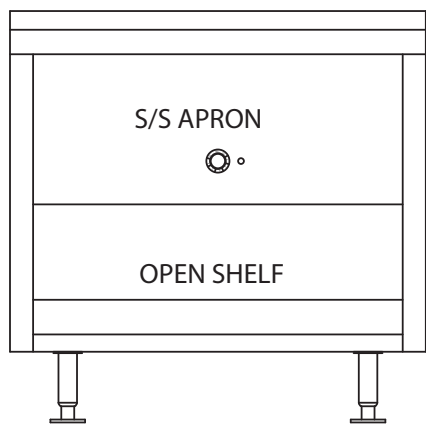


ESSW36

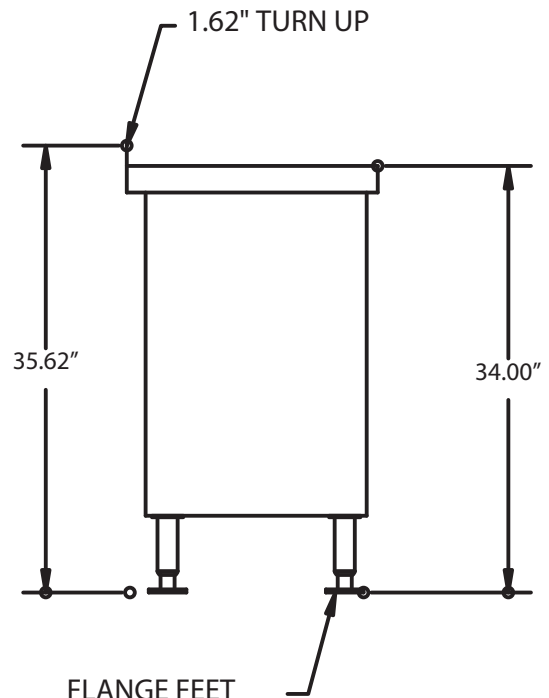
E-Chef™ Soup Well Module



SOUPWELL
ADAPTER PLATE
Plan View
ESSW36



Elevation View
ESSW36



End View
ESSW36

Specifications									
Model	L	D	H	# of Soup wells	Volts	Amps	Hz	Phase	Ship Weight
ESSW36	36"	20"	34"	1	120	17.0	60	1	200