



# ESIC36

E-Chef™ Ice Cooled Cold Pan Module

Project \_\_\_\_\_  
 Item \_\_\_\_\_  
 Quantity \_\_\_\_\_  
 CSI Section 11400  
 Approved \_\_\_\_\_  
 Date \_\_\_\_\_

## Models

ESIC36 36" ice cooled cold pan module



ESIC36

## Standard Features

- Stainless steel top and sides
- Stainless steel bottom shelf with 3" riser at rear
- 1" drain is standard
- Removable stainless steel perforated bottom standard
- Standard on flanged feet
- 2" recessed integral pan rest
- Single well ice pan to accommodate (1) 12"x20" pan

## Options & Accessories

- Adaptor bars or plates
- Raceways (shipped loose)

## Specifications

**Exterior:** Top is one-piece heavy-gauge stainless steel with integral 2.12" square nosing on front with 1.62" turn up at the rear. Sides are heavy-gauge single thickness stainless steel with 2" bends on front and rear.

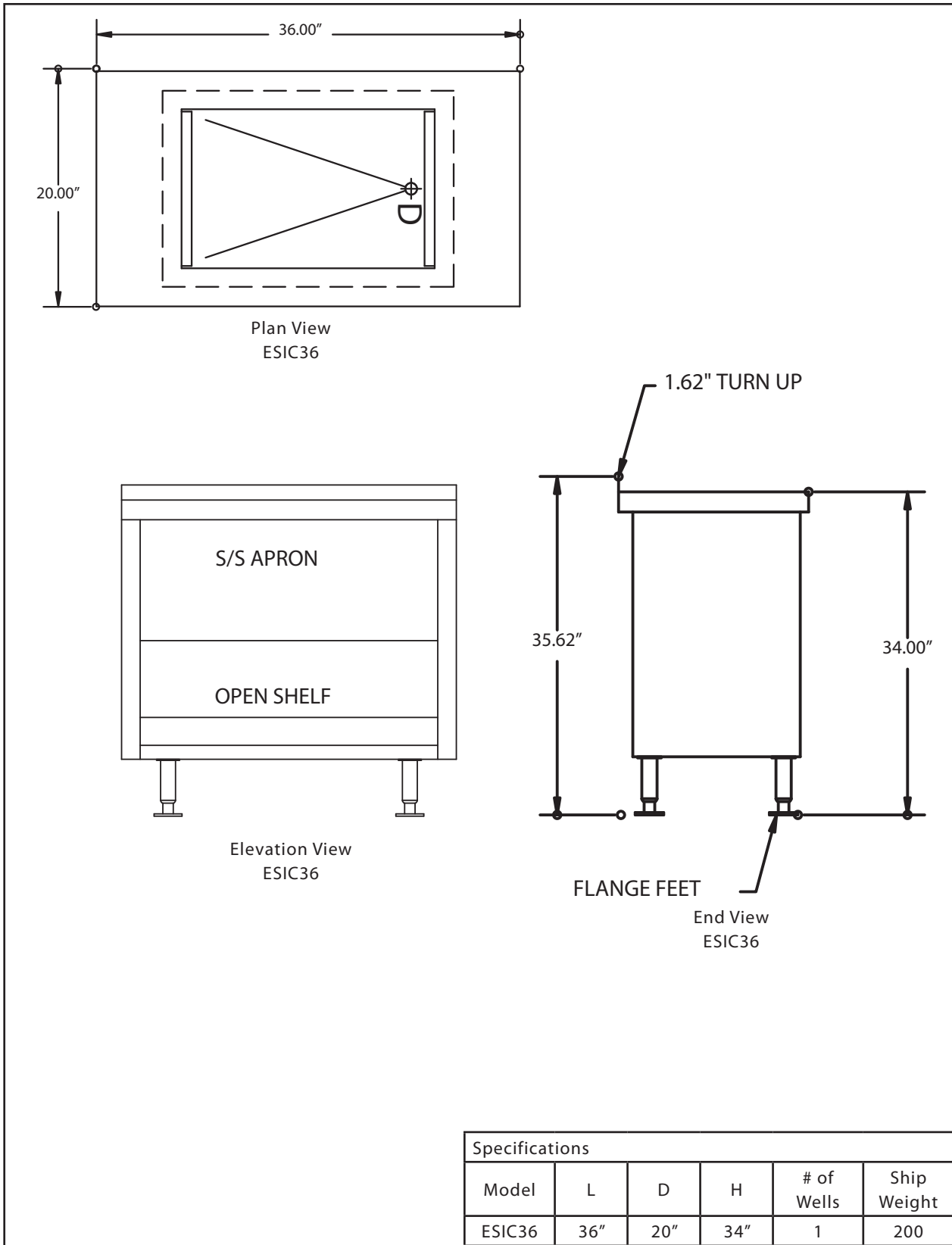
**Top:** Top is available with (1) 12"x20" pan opening with 2" recessed integral pan rests. 1" removable stainless steel perforated bottom is standard.

**Interior:** Bottom shelf is heavy-gauge stainless steel with 3" high riser at the rear.



ESIC36: E-Chef™ Ice Cooled Cold Pan Module

**ESIC36** E-Chef™ Ice Cooled Cold Pan Module



Specifications					
Model	L	D	H	# of Wells	Ship Weight
ESIC36	36"	20"	34"	1	200