

SALD-1/SALD-2

Salad and Vegetable Drier

Project _____
Item _____
Quantity _____
CSI Section 11400
Approved _____
Date _____

Models

- SALD-1 115V salad and vegetable drier
- SALD-2 230V salad and vegetable drier



SALD-1

Standard Features

- Body is 18-gauge stainless steel
- Legs are 1" diameter 16-gauge stainless steel tubing
- (3) 4.00" diameter polyolefin locking stem casters
- Outer lid is 18-gauge stainless steel
- Inner liner is perforated durable polyethylene plastic
- Water-tight motor and controls are mounted on the bottom of the unit
- 6' cord and plug supplied
- Unit has 1.50" drain
- Adjustable ON/OFF timer for drying times up to 5 minutes
- Lid and cover storing hooks come standard

Options & Accessories

- Additional polyethylene liner

Specifications

Outer body is constructed of 18-gauge stainless steel. Legs are 1.00" (25mm) outside diameter, 16-gauge stainless steel tubing with 4.00" (10cm) diameter locking stem casters for mobility.

Outer lid is constructed of 18-gauge stainless steel.

Inner liner is a one-piece durable polyethylene plastic with 0.38" (1cm) diameter holes for proper water disbursement.

Unit has a completely enclosed, water-tight motor mounted underneath the unit.

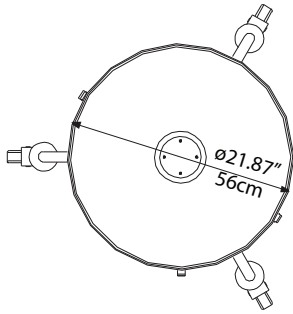
Unit has a 1.50" (4cm) outside diameter drain, and an adjustable on/off timer for selection of drying cycles of up to five minutes.

Stainless steel hooks are mounted on the lid and sides of the unit for storage of the lid and cord when unit is not in use.

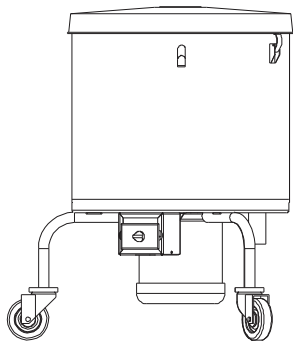
Electrical box for capacitor and timer control is mounted on the bottom of the unit. Six foot cord and 5-15 NEMA plug are

supplied. SALD-1 is 115 Volt, 60 Hertz single phase. SALD-2 is 230 Volt, 50 Hertz single phase.

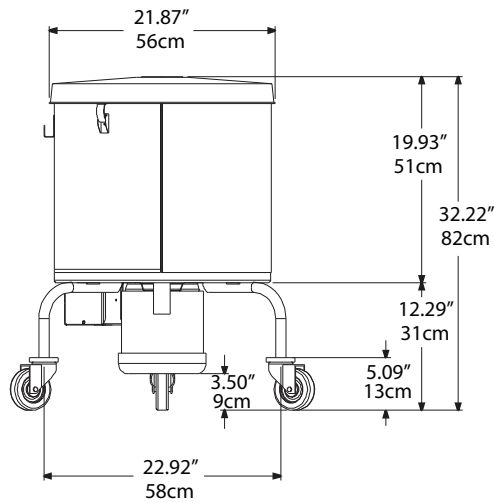




Plan View
SALD-1, SALD-2



Elevation View
SALD-1, SALD-2



Side View
SALD-1, SALD-2

Specifications

Model	Height	Width	Depth	Inner Liner Capacity	Inner Liner Diameter	Inner Liner Depth	V/Hz/Ph	Amps	Ship Weight
SALD-1	32.50" (83cm)	27.00" (69cm)	27.00" (69cm)	20 Gal (77L)*	15.62" (40cm)	16.87" (43cm)	115/60/1	2.7	85lbs/ 38kg
SALD-2	32.50" (83cm)	27.00" (69cm)	27.00" (69cm)	20 Gal (77L)*	15.62" (40cm)	16.87" (43cm)	230/50/1	1.35	85lbs/ 38kg

*Inner liner can hold up to 18 heads of chopped lettuce.

Delfield reserves the right to make changes to the design or specifications without prior notice.