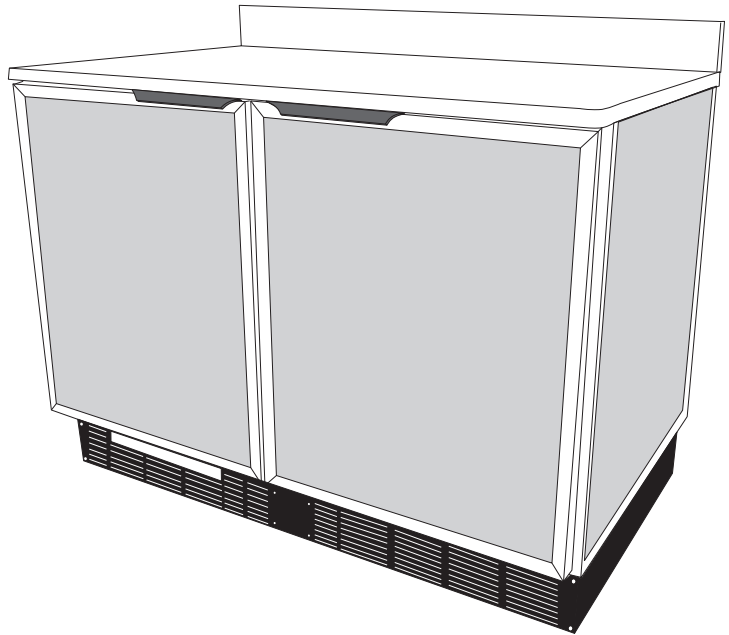




Your Solutions Partner

Illustrated Parts List



REFRIGERATED BACK BAR

MODEL

RUF-48

*This manual is Copyright © 2009 Duke Manufacturing Co. All rights reserved.
Reproduction without written permission is prohibited. Duke is a registered
trademark of the Duke Manufacturing Co..*

Duke Manufacturing Co.

**2305 N. Broadway
St. Louis, MO 63102
Phone: 314-231-1130
Toll Free: 1-800-735-3853
Fax: 314-231-5074
www.dukemfg.com**



TABLE OF CONTENTS

MAIN CABINET	4
Table: PL-1 Main Cabinet	4
Figure: PL-1 Main Cabinet.....	5
DOOR ASSEMBLY	6
Table: PL-2 Door Assembly	6
Figure: PL-2 Door Assembly.....	7
REFRIGERATION UNIT	8
Table: PL-1 Refrigeration Unit	8
Figure: PL-1 Refrigeration Unit.....	8
CUSTOMER ASSISTANCE.....	9

MAIN CABINET

ITEM	QTY.	PART NO.	DESCRIPTION
1A*	1	250240	Evaporator Cover (*SEE NOTE)
1B*	1	250241	Fan Ring Assembly (*SEE NOTE)
2	1	216926	Motor, Evaporator W/Blade, 220VAC 50Hz Before 2/2/04: RUF-FAN-ASSY-220
	1	216927	Motor, Evaporator W/Blade, 120VAC 60Hz Before 3/10/03: RUF-FAN-ASSY-120
3	1	COLD-KIT	Thermostat Kit
	1	216526	Cap Tube 9' X .050
	1	216599	Cap Tube 5' X .054 (PRIOR TO 04-17-2002)
4	1	250078	Angle Trim, Front Assembly, Left
	1	250079	Angle Trim, Front Assembly, Right
5	2	216294	Panel, Laminate, Irish Maple End, 29.375" X 2"
6	1	DOOR-RUF-48L-IM	Door Assembly, Left with all hardware
7	1	DOOR-RUF-48R-IM	Door Assembly, Right with all hardware
8	1	251416	Front Kick Plate with Filter Slot
9	4	251420	Solid Rod Door Hinge
	4	25401/00032	Screw, Hinge Pin -older style
	4	215045	Hinge Pin Bronze Bushing - older style
	4	214678	Hinge Pin - older style
10	4	214524	Caster, with Lock
	4	214556	Leg
11	2	250062	Angle Trim, Rear
12	2	250067	Angle Trim, End Assembly Bottom
13	2	RUF-RACK-RT	Wire Rack, Right
14	2	RUF-RACK-LT	Wire Rack, Left
Not Shown	8	214728	Support Stud, SS Wire Rack
16	2	2520040021	Kick Plate, End
17	1	2420050041	Kick Plate, Rear
18	1	255451	Thermostat Bracket
19	1	6516-2	Evaporator Coil
20	2	256010	Assy, Top, RUF 48 120V
	1	256011	Assy, Top, RUF 48 220V
21	1	217098	Filter, Air 10" x 24" x 1"
Not Shown	2	216683	Gasket, Door 21 1/2" x 27 5/8"
Not Shown	2	215321	Stripping, Door Sweep
Not Shown	1	216575	Thermometer, 120VAC units
Not Shown	1	216843	Digital Readout Thermometer, 220VAC units
Not Shown A/R		214734	Plastic Plugs for Shelf Pin Holes

*NOTE: Items must be ordered together.

Table: PL-1 Main Cabinet

MAIN CABINET

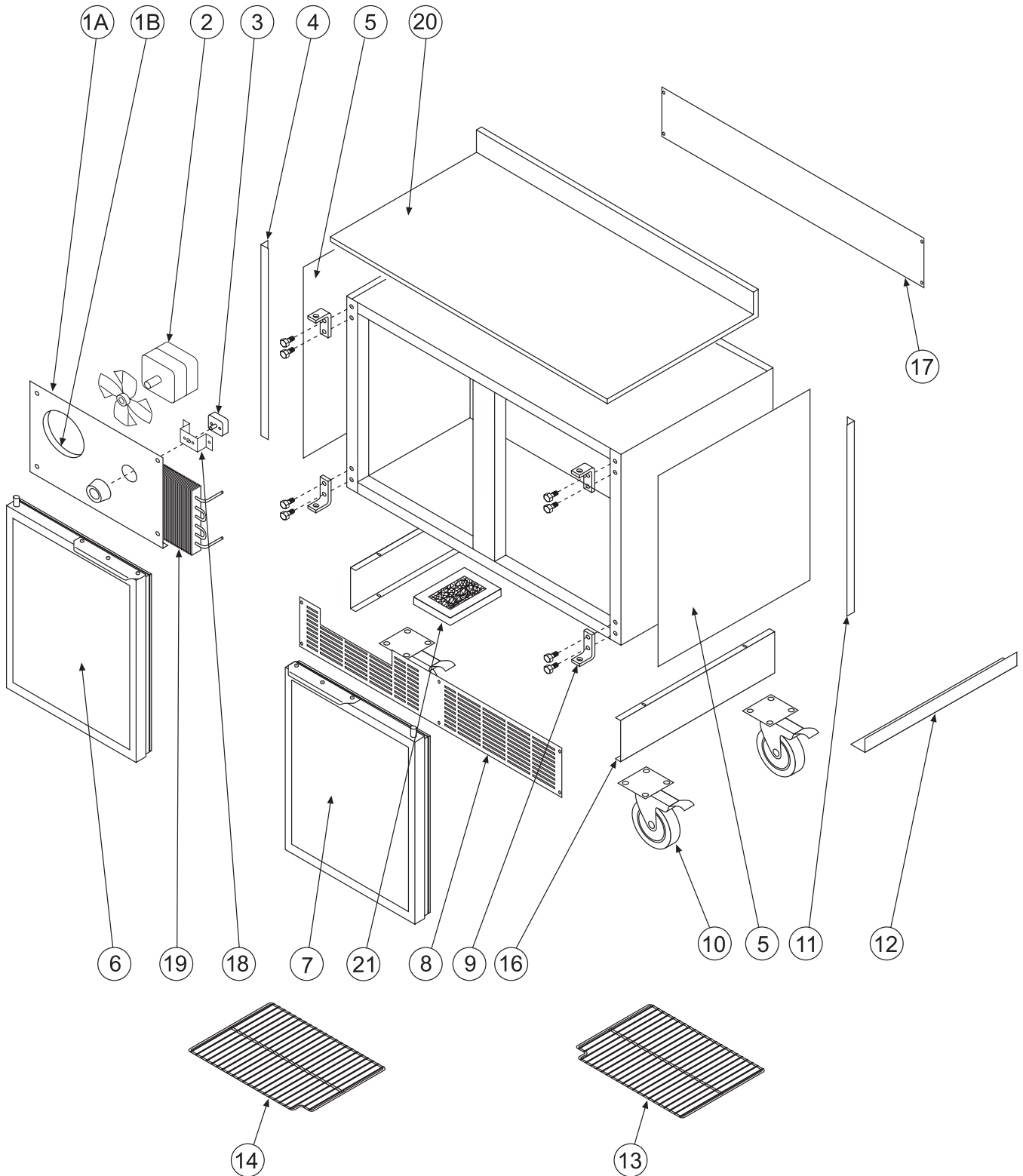


Figure: PL-1 Main Cabinet

DOOR ASSEMBLY

ITEM	QTY.	PART NO.	DESCRIPTION
1	2	215319	Rod, Door, 3/8"
2	1	* 250365	Angle Frame, Door, RT SS Welded RUF (*SEE NOTE)
	1	* 250366	Angle Frame, Door, LT, SS Welded RUF (*SEE NOTE)
3	2	216292	Panel Laminate, Door Irish Maple
4	2	251440	Door, RUF
5	2	216087	Insulation, Door RUF
6	2	216683	Door, Gasket
7	2	2544370272	Panel, Door Interior
8	26	213032	Screw, 8-18 x 1/2"
9	6	213391	Screw for 215139 & 225139 Handle
10	2	215139	Handle, Black Plastic Top of Door
	2	225139	Handle, Aluminum Top of Door
	2	214825	Black, Front of Door
11	4	213325	Washer
12	4	213324	E-Clip, SS

*NOTE: Items must be ordered together.

Table: PL-2 Door Assembly

DOOR ASSEMBLY

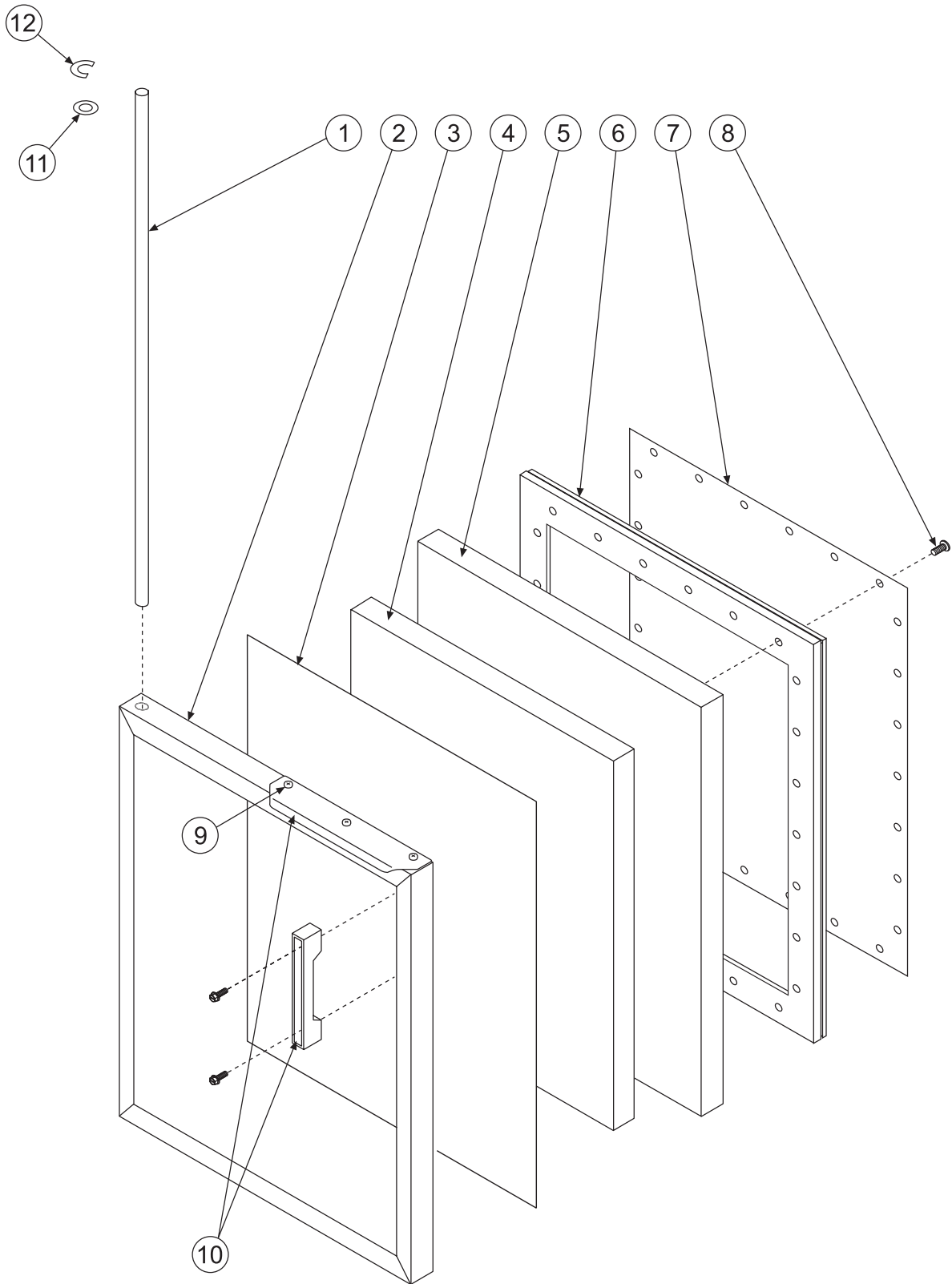


Figure: PL-2 Door Assembly

REFRIGERATION UNIT

ITEM	QTY.	PART NO.	DESCRIPTION
	1	216486	Condensing Unit, Complete 120VAC 60Hz
	1	216447	Condensing Unit, Complete 220VAC 50Hz
1	1	2544150112	Condensation Pan
2	1	217833	Compressor, Emerson Service Replacement 120VAC 60Hz
	1	217837	Compressor, Emerson Service Replacement 220VAC 50Hz
3	1	217828	Fan Motor, Emerson 120VAC 60Hz
	1	217811	Fan Motor, Emerson 220VAC 50 Hz
4	1	217829	Fan Blade
5	1	*See Note	Condenser Coil
6	2	2544240022	Angle, Condensation Pan
7	1	217825	Overload Protection, Emerson 120VAC 60Hz
	1	217862	Overload Protection, Emerson 220VAC 50Hz
8	1	216559	Condensate Evaporator Coil
Not Shown	1	217826	Relay, Emerson 120VAC 60Hz
Not Shown	1	217863	Relay, Emerson 220VAC 50Hz
Not Shown	1	217843	Start Cap, Emerson 120VAC 60Hz
Not Shown	1	217864	Start Cap, Emerson 220VAC 50Hz

*NOTE: Must be ordered with or as a condensing unit.

Table: PL-3 Refrigeration Unit

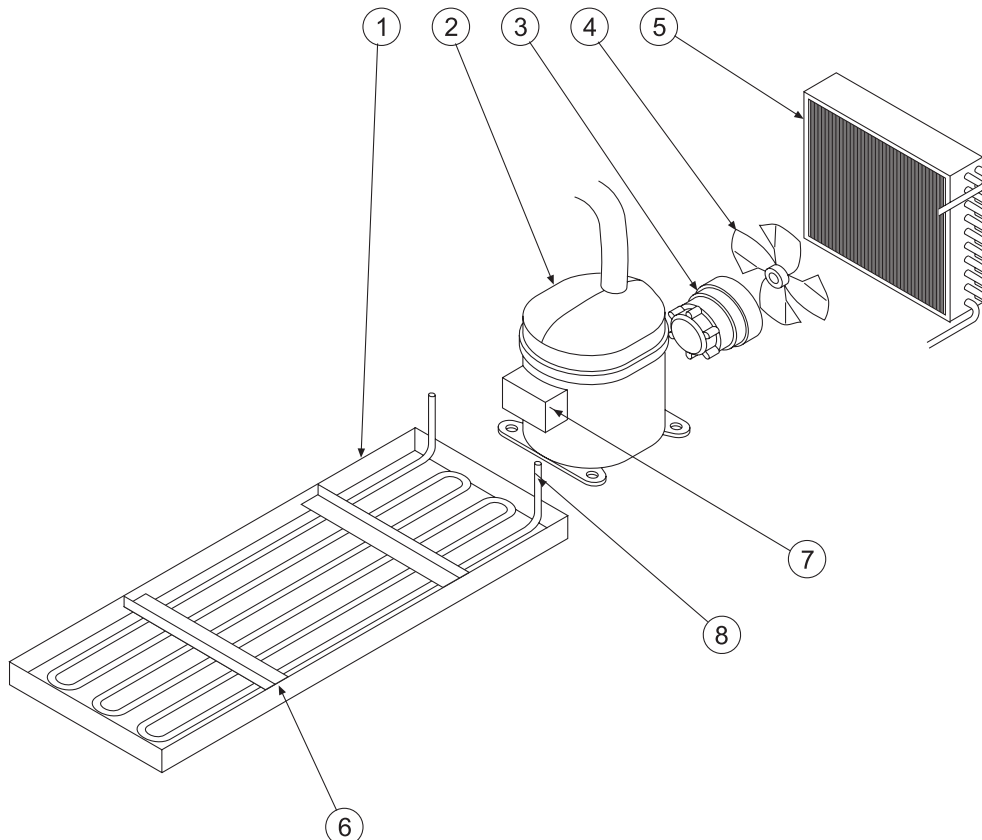


Figure: PL-3 Refrigeration Unit

CUSTOMER ASSISTANCE

To aid in reporting this unit in case of loss or theft, please record below the model number and serial number located on the unit. We also suggest you record all the information listed and retain for future reference.

MODEL NUMBER _____	SERIAL NUMBER _____
DATE OF PURCHASE _____	
DEALER _____	TELEPHONE _____
SERVICER _____	TELEPHONE _____

NORTH AMERICA & LATIN AMERICA

Duke Manufacturing Company
2305 N. Broadway
St. Louis, MO 63102
Phone: 314-231-1130
Toll Free: 1-800-735-3853
Fax: 314-231-5074

CONTINENTAL EUROPE

EU Headquarter Office
Duke Manufacturing
CR s.r.o. Vitavska 219,
Stechovice 25207
Phone: +420 257-741-033

UK & IRELAND

Duke Mfg UK
Duke House
Unit 10, Greendale Business Park
Woodbury Salterton
Exeter
Devon - UK EX5 1EW
Tel: 01395 234140
FAX: 01395 234154

ASIA

Asia Office
#1905 19F First Trade Tower
#985 Dong Fang Road Pudong
Shanghai 200122 China
Phone: 86 21 6876 9272

TO ACCESS INTERNET: www.dukemfg.com

Please provide the following information when you write or call: model number, serial number, date of purchase, your complete mailing address (including zip code), and description of the problem.



Your Solutions Partner

Duke Manufacturing Company

**2305 N. Broadway
St. Louis, MO 63102
Phone: 314-231-1130
Toll Free: 1-800-735-3853
Fax: 314-231-5074
www.dukemfg.com**

**EU Headquarter Office
Duke Manufacturing
CR s.r.o. Vitavska 219,
Stechovice 25207
Phone: +420 257-741-033**

**Duke Mfg UK
Duke House
Unit 10, Greendale Business Park
Woodbury Salterton
Exeter
Devon - UK EX5 1EW
Tel: 01395 234140
FAX: 01395 234154**

**Asia Office
#1905 19F First Trade Tower
#985 Dong Fang Road Pudong
Shanghai 200122 China
Phone: 86 21 6876 9272**