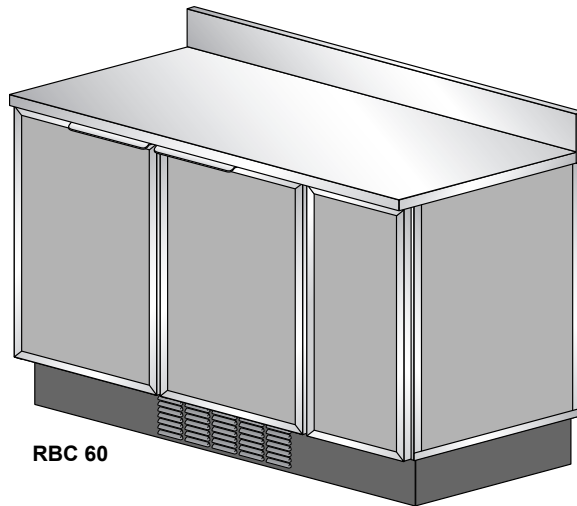


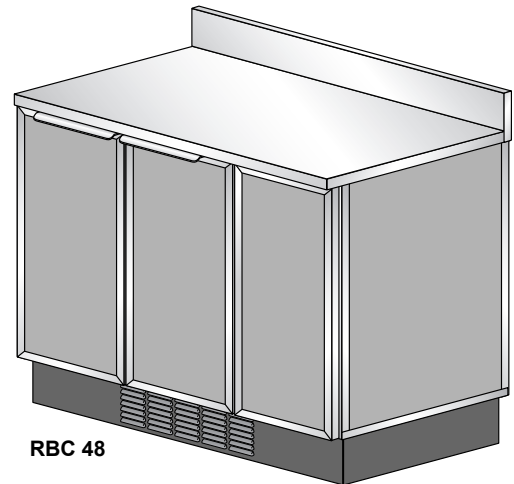


Your Solutions Partner

Illustrated Parts List



RBC 60



RBC 48

REFRIGERATED BACK COUNTER

**MODEL: RBC 48
RBC 60**

*This manual is Copyright © 2011 Duke Manufacturing Co. All rights reserved.
Reproduction without written permission is prohibited. Duke is a registered
trademark of the Duke Manufacturing Company.*

Duke Manufacturing Company

**2305 N. Broadway
St. Louis, MO 63102
Phone: 314-231-1130
Toll Free: 1-800-735-3853
Fax: 314-231-5074
www.dukemfg.com**



TABLE OF CONTENTS

MAIN CABINET	4
Table: PL-1 Main Cabinet Components	4
Figure: PL-1 Main Cabinet Components	5
MAIN CABINET DOOR COMPONENTS	6
Table: PL-2 Main Cabinet Door Components	6
Figure: PL-2 Main Cabinet Door Components	7
REFRIGERATED COMPARTMENT DOOR COMPONENTS	8
Table: PL-3 Refrigerated Compartment Door Components	8
Figure: PL-3 Refrigerated Compartment Door Components	9
REFRIGERATION SYSTEM UNIT COMPONENTS	10
Table: PL-4 Refrigeration System Unit Components	10
Figure: PL-4 Refrigeration System Unit Components	10
CUSTOMER ASSISTANCE	11

MAIN CABINET COMPONENTS

ITEM	QTY.	PART NO.	DESCRIPTION	MODEL USAGE
1	2	253951	Angle Trim Front	RBC48 & RBC60
2	2	253914	48 In Compartment Door Assy., Irish Maple	RBC48
	2	255709	48 In Compartment Door Assy., Font Hill Pear	RBC48
	2	253915	60 In Compartment Door Assy., Irish Maple	RBC60
	2	255710	60 In Compartment Door Assy., Font Hill Pear	RBC60
	3	1	254056	Mechanical Door Compartment, Irish Maple
	1	255708	Mechanical Door Compartment, Font Hill Pear	RBC48 & RBC60
4	1	253988	Kick Plate, Front – Used Until 6/30/2007	RBC48
	1	255455	Kick Plate, Adjustable – Used After 6/30/2007	RBC48
	1	251651	Kick Plate, Rear, 48 In – Used After 6/30/2009	RBC48
	1	253989	Kick Plate, Front – Used Until 6/30/2007	RBC60
	1	255456	Kick Plate, Adjustable – Used After 6/30/2007	RBC60
	1	251658	Kick Plate, Rear 60 In – Used After 6/30/2009	RBC60
5	2	254145	Kick Plate, End 27, Clip Mount – Used Until 6/30/2007	RBC48 & RBC60
	2	251663	Kick Plate, End 27, Clip Mount – Used After 6/30/2007	RBC48 & RBC60
6	8	0063150S	Clamp, Kick Plate – Used Until 6/30/2007	RBC48 & RBC60
7	4	214556	Leg Assembly, Galvanized, 6 In	RBC48 & RBC60
8	6	251420	Hinge, Door, Back Counter	RBC48 & RBC60
9	1	214947	Filter, 9.375 X 9.875 X .3125	RBC48 & RBC60
10	2	253948	Angle Trim, Bottom	RBC48 & RBC60
11	2	253949	Angle Trim, Back	RBC48 & RBC60
12	2	216294	Laminate, End, Irish Maple	RBC48 & RBC60
	2	RS003089	Laminate, End, Font Hill Pear	RBC48 & RBC60
13	2	256012	Asy, Top RBC 48 120V	RBC48
	2	256013	Asy, Top RBC 48 220V	RBC48
	2	256014	Asy, Top RBC 60 120V	RBC60
	2	256015	Asy, Top RBC 60 220V	RBC60

Table: PL-1 Main Cabinet Components

MAIN CABINET COMPONENTS

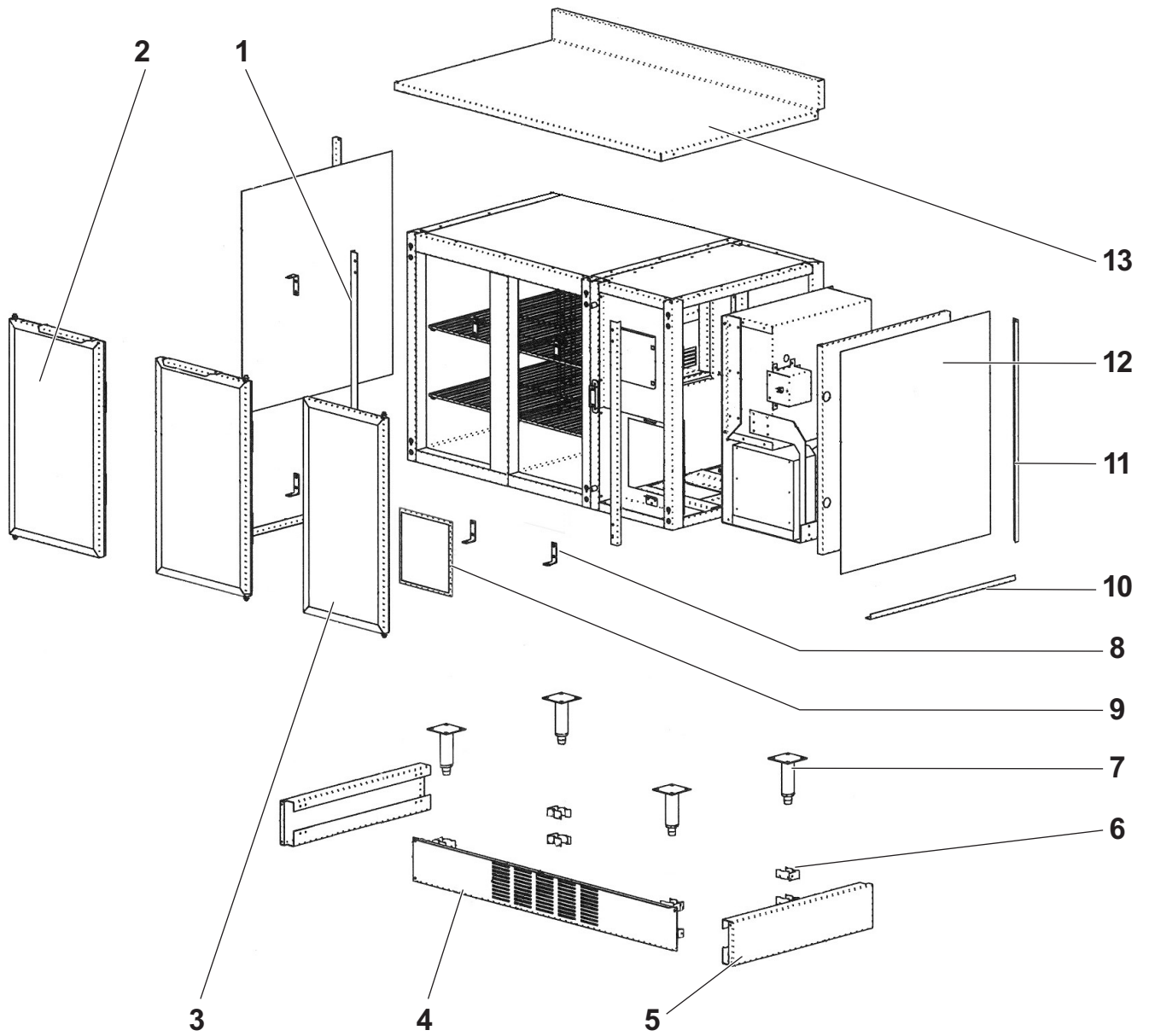


Figure: PL-1 Main Cabinet Components

MAIN CABINET DOOR COMPONENTS

ITEM	QTY.	PART NO.	DESCRIPTION	MODEL USAGE
14	1	256103	Angle Trim Door 48 TL/BR	RBC48
14	1	256104	Angle Trim Door 60 TL/BR	RBC60
15	1	216760	Gasket Magnetic Door 48" RBC	RBC48
15	1	216761	Gasket Magnetic Door 60" RBC	RBC60
16	2	254140	Panel Bottle Holder 48	RBC48
16	2	254141	Panel Bottle Holder 60	RBC60
17	2	213324	"E" - Clip for 3/8" Rod	RBC48 & RBC60
18	2	215045	Bronze Bushing	RBC48 & RBC60
19	1	254036	Laminate Door 48" Irish Maple	RBC48
19	1	254037	Laminate Door 60" Irish Maple	RBC60
19	1	255704	Laminate Door 48" Font Hill Pear	RBC48
19	1	221551	Laminate Door 60" Font Hill Pear	RBC60
20	1	253430	Handle, Door, S.S. - Used until 2/3/2007	RBC48 & RBC60
20	1	255941	Handle, Door, Painted - Used 2/3/2007 - 4/2009	RBC48 & RBC60
20	1	225139	Handle, Door, Aluminum - Used after 4/2007	RBC48 & RBC60
21	1	215319	Rod Hinge S.S. 29 5/8"	RBC48 & RBC60

Table: PL-2 Main Cabinet Door Components

MAIN CABINET DOOR COMPONENTS

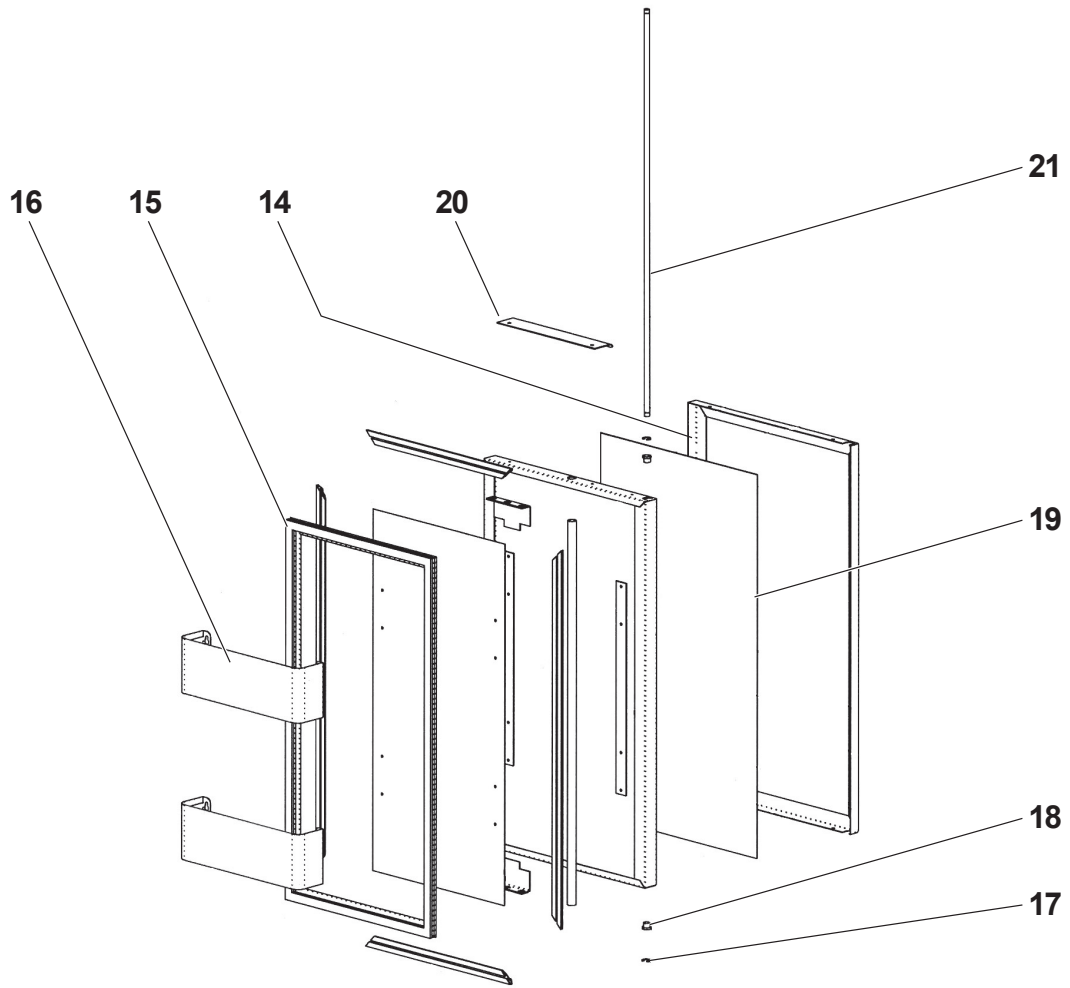


Figure: PL-2 Main Cabinet Door Components

REFRIGERATED COMPARTMENT DOOR COMPONENTS

ITEM	QTY.	PART NO.	DESCRIPTION	MODEL USAGE
23	1	256102	Angle Trim, Door Mech.	RBC48 & RBC60
24	2	213324	"E" - Clip for 3/8" Rod	RBC48 & RBC60
25	2	215045	Bronze Bushing	RBC48 & RBC60
26	1	254035	Laminate, Mechanical Panel, Irish Maple	RBC48 & RBC60
26	1	221550	Laminate, Mechanical Panel, Font Hill Pear	RBC48 & RBC60
27	1	215319	Rod Hinge S.S. 29 5/8"	RBC48 & RBC60

Table: PL-3 Refrigerated Compartment Door Components

REFRIGERATED COMPARTMENT DOOR COMPONENTS

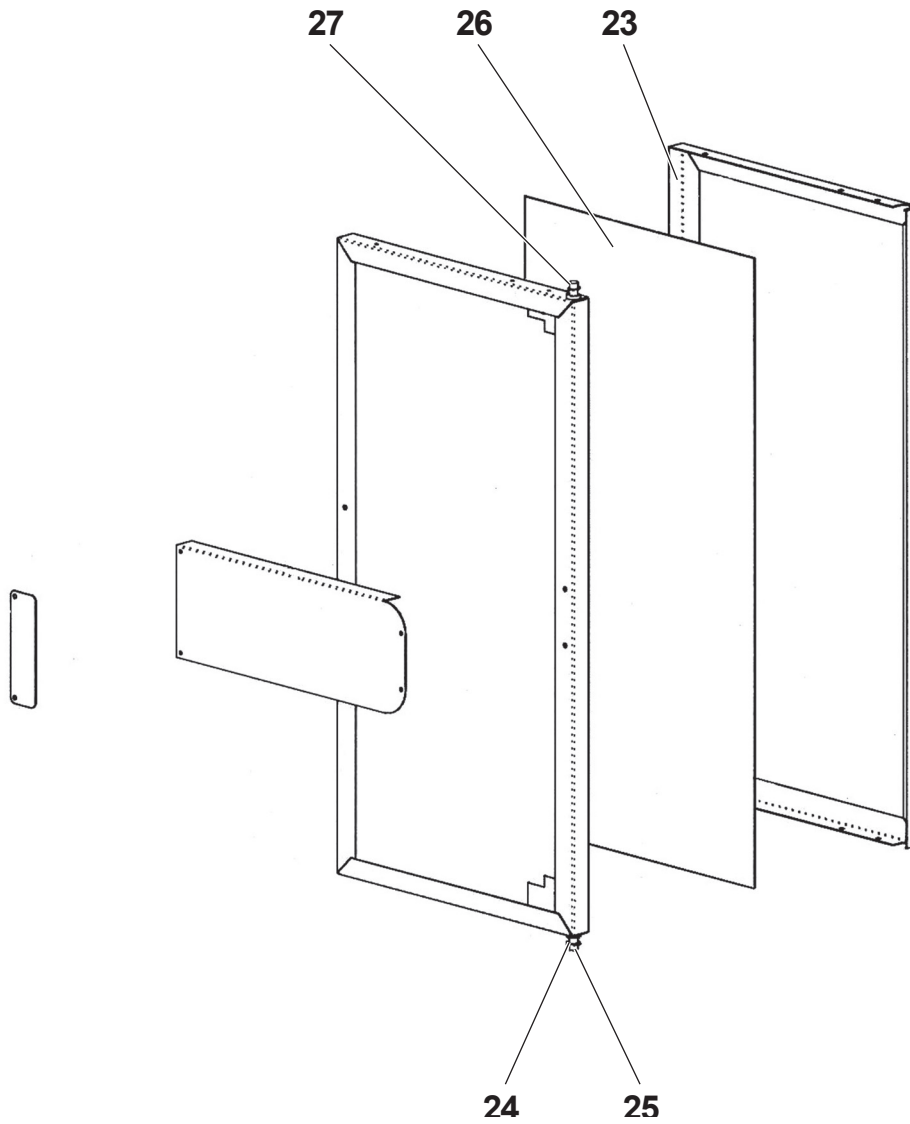


Figure: PL-3 Refrigerated Compartment Door Components

REFRIGERATION SYSTEM UNIT COMPONENTS

ITEM	QTY.	PART NO.	DESCRIPTION	MODEL USAGE
29	1	COLD-KIT	Thermostat	RBC48 & RBC60
30	1	071136	Unit Cond. 1/5 HP R-134A 120V 60 Hz	RBC48 & RBC60
	1	216473	Unit Cond. 1/5 HP R-134A 220V 50 Hz	RBC48 & RBC60
31	1	216779	Evaporator Coil	RBC48 & RBC60
32	2	217879	Evap. Fan Motor	RBC48 & RBC60
33	2	217809	Evap. Fan Blade	RBC48 & RBC60
34	1	217876	Compressor	RBC48 & RBC60
35	1	Sub-Mullion-120	Mullion Heater Assembly, 120VAC, 60 Hz	RBC48 & RBC60
	1	Sub-Mullion-220	Mullion Heater Assembly, 220VAC, 50 Hz	RBC48 & RBC60
36	1	217843	Start Capacitor	RBC48 & RBC60
37	1	217878	Relay	RBC48 & RBC60
38	1	217877	Protector	RBC48 & RBC60
Not shown	*10	216600	Cap, Tube .042"IDx10'	RBC48 & RBC60
Not shown	4	216773	Rack, RBC48 Wire	RBC48
Not shown	4	216774	Rack, RBC60 Wire	RBC60
Not shown	4	213019	Rack Support, Spacer	RBC48 & RBC60
Not shown	8	214728	Rack Support, Lugs	RBC48 & RBC60
Not shown	1	216843	Digital Display, 220VAC, 50 Hz	RBC48 & RBC60

*NOTE: Order quantity be feet.

Table: PL-4 Refrigeration System Unit Components

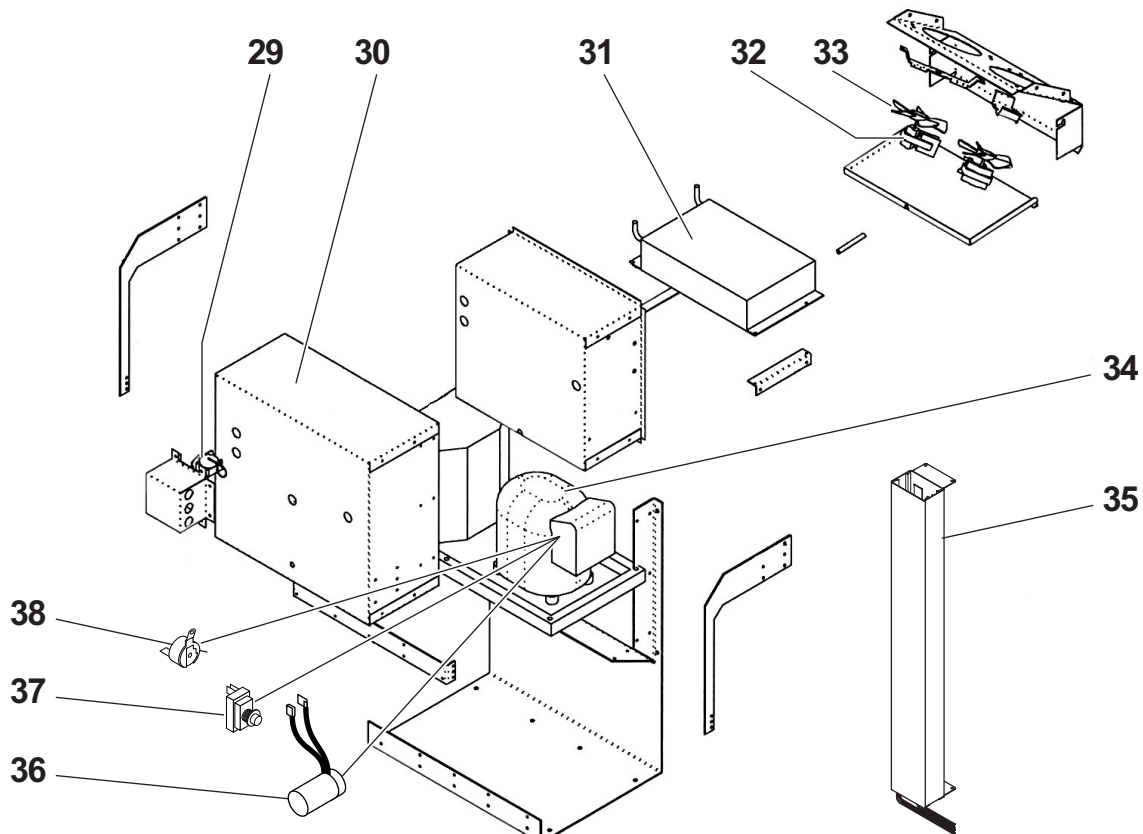


Figure: PL-4 Refrigeration System Unit Components

CUSTOMER ASSISTANCE

To aid in reporting this unit in case of loss or theft, please record below the model number and serial number located on the unit. We also suggest you record all the information listed and retain for future reference.

MODEL NUMBER _____	SERIAL NUMBER _____
DATE OF PURCHASE _____	
DEALER _____	TELEPHONE _____
SERVICER _____	TELEPHONE _____

NORTH AMERICA & LATIN AMERICA

Duke Manufacturing Company
2305 N. Broadway
St. Louis, MO 63102
Phone: 314-231-1130
Toll Free: 1-800-735-3853
Fax: 314-231-5074

UK & IRELAND

Duke Mfg UK
Duke House
Unit 10, Greendale Business Park
Woodbury Salterton
Exeter
Devon - UK EX5 1EW
Tel: 01395 234140
FAX: 01395 234154

CONTINENTAL EUROPE

EU Headquarter Office
Duke Manufacturing C.R. s.r.o.
Prologis Park D1 West, Building 4
Zdebradska 92
Ricany-Jazlovice, 251 01
Czech Republic
Phone: 42 (0) 257-741-033
Fax: 42 (0) 257-741-039

ASIA

Asia Office
Duke Food Service Equipment
(shanghai) Company Limited
1F, Building #17-2,
658 Nong Jin Zhong Road
Shanghai, China 200335
Tel: +86 21 6876 9272
Fax: +86 21 33600628

TO ACCESS INTERNET: www.dukemfg.com

Please provide the following information when you write or call: model number, serial number, date of purchase, your complete mailing address (including zip code), and description of the problem.



Your Solutions Partner

Duke Manufacturing Company

**2305 N. Broadway
St. Louis, MO 63102
Phone: 314-231-1130
Toll Free: 1-800-735-3853
Fax: 314-231-5074
www.dukemfg.com**

**EU Headquarter Office
Duke Manufacturing C.R. s.r.o.
Prologis Park D1 West, Building 4
Zdebradska 92
Ricansy-Jazlovice, 251 01
Czech Republic
Phone: 42 (0) 257-741-033
Fax: 42 (0) 257-741-039**

**Duke Mfg UK
Duke House
Unit 10, Greendale Business Park
Woodbury Salterton
Exeter
Devon - UK EX5 1EW
Tel: 01395 234140
FAX: 01395 234154**

**Asia Office
Duke Food Service Equipment
(shanghai) Company Limited
1F, Building #17-2, 658 Nong Jin Zhong Road
Shanghai, China 200335
Phone: 86 21 6876 9272
Fax: 86 21 33600628**