

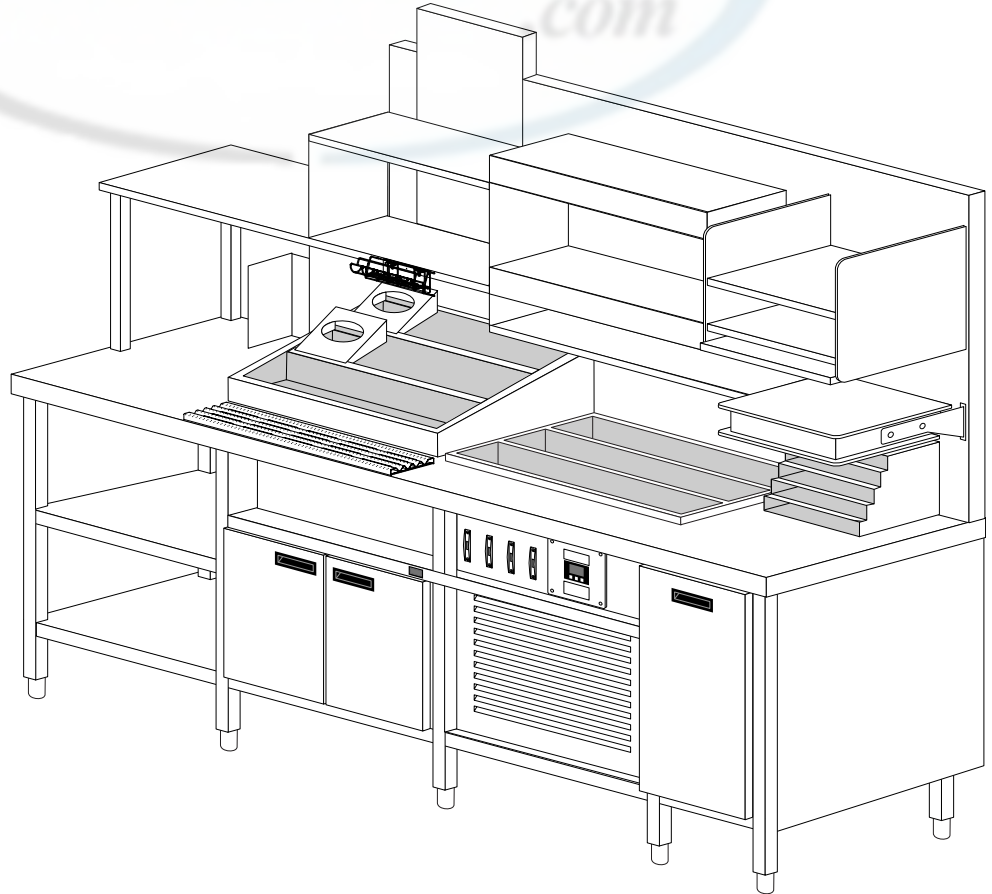


"Your Solutions Partner"

## Illustrated Parts List

Provided by  
DAVISWARE  
com

### TACO BELL I-LINE COUNTER



---

*This manual is Copyright © 2010 Duke Manufacturing Co. All rights reserved.  
Reproduction without written permission is prohibited. Duke is a registered  
trademark of the Duke Manufacturing Co.*

### Duke Manufacturing Co.

2305 N. Broadway • St. Louis, MO 63102

800.735.3853 • 314.231.1130

Fax: 314-231-5074

[www.dukemfg.com](http://www.dukemfg.com)

## TABLE OF CONTENTS

|  |    |
|--|----|
| DETERMINING THE MANUFACTURING DATE FROM A PIECE OF EQUIPMENT'S SERIAL NUMBER ..... | 3  |
| TRI-CHANNEL COLD PAN PARTS LIST .....  | 4  |
| Table: PL-1 Tri-Channel Cold Pan .....   | 4  |
| Figure: PL-1 Tri-Channel Cold Pan.....   | 5  |
| REFRIGERATED BASE UNIT PARTS LIST .....  | 6  |
| Table: PL-2 Refrigerated Base Unit .....   | 6  |
| Figure: PL-2 Refrigerated Base Unit.....   | 7  |
| DRY CHANNEL WARMER PARTS LIST.....   | 8  |
| Table: PL-3 Dry Channel Warmer .....   | 8  |
| Figure: PL-3 Dry Channel Warmer .....  | 9  |
| DRY CHANNEL RELAY BOX ASSEMBLY .....   | 10 |
| Table: PL-4 Dry Relay Box Assembly .....   | 10 |
| Figure: PL-4 Dry Relay Box Assembly.....   | 11 |
| DRY CHANNEL RELAY BOX ASSEMBLY REV 5.1.....  | 12 |
| Table: PL-5 Dry Relay Box Assembly Rev 5.1 .....                                   | 12 |
| Figure: PL-5 Dry Relay Box Assembly Rev 5.1 .....                                  | 13 |
| DRY CHANNEL CONTROL BOARD.....   | 14 |
| Figure PL-6 Dry Channel Control Board.....   | 14 |
| Figure PL-7 Dry Channel Control Board – Version 4.....                             | 14 |
| I-LINE EXTENSION TABLE .....   | 15 |
| Table: PL-8 I-Line Extension Table .....   | 15 |
| Figure: PL-8 I-Line Extension Table.....   | 15 |

**DETERMINING THE MANUFACTURING DATE  
FROM A PIECE OF EQUIPMENT'S SERIAL NUMBER**

**Units Manufactured in St. Louis**

Serial Number Example: 30JDJF0001

| <b>30</b>                  | <b>JD</b>   | <b>JF</b>  | <b>0001</b>       |
|----------------------------|---|--|-------------------|
| Specifies the type of unit | Specifies the year manufactured - see code below. | Specifies the month manufactured - see code below. | Sequential digits |

**Code Interpretation for units manufactured in St. Louis.**

**A = 1 B = 2 C = 3 D = 4 E = 5 F = 6 G = 7 H = 8 I = 9 J = 0**

The serial number 30JDJF0001 indicates that the unit was built in 2004 (JD = 04) in the month of June (JF = 06).

**Units Manufactured in Sedalia**

Serial Number Example: 01040019

| <b>01</b>                        | <b>04</b>                       | <b>0019</b>       |
|----------------------------------|---------------------------------|-------------------|
| Specifies the month manufactured | Specifies the year manufactured | Sequential digits |

The serial number 01040019 indicates that the unit was built in January of 2004.

**TRI-CHANNEL COLD PAN PARTS LIST**

| ITEM #    | QTY. | PART NUMBER | DESCRIPTION                               |
|-----------|------|-------------|---|
| 1         | 1    | 216879      | Condensing Unit, TXV, 1/3 HP 120VAC, 60Hz |
| 2         | 1    | 212792      | Switch, Toggle, Red, 30 amp               |
| 2a        | 1    | 553063      | Griddle Switch, GTO Retrofit              |
| 3         | 1    | 212450      | Tri-Channel Control, Temperature          |
|           | 1    | 216837      | Thermostat, Elreha Digital Display        |
| 4         | 1    | 550392      | Door, Load Center                         |
| 5         | 1    | 217811      | Motor, Electric Fan, 120VAC               |
| 6         | 1    | 217810      | Fan Bracket                               |
| 7         | 1    | 217812      | Fan Blade                                 |
| 8         | 1    | 216990      | APW Tortilla Griddle                      |
| 9         | 1    | 216991      | Griddle Bracket                           |
| 10        | 1    | 216983      | Pronto Bottle Holder #C1032               |
| 11        | 1    | 550816      | Taco Rail Assembly                        |
| Not shown | 1    | 212288      | Switch, Tri-Channel Main Power            |
| Not shown | 1    | 216386      | Valve, Auto Exp. I-Line TB (Not Shown)    |
| Not shown | 1    | 214947      | Filter, 9.375" X 9.875" (Not Shown)       |
| Not shown | 1    | 216414      | Dryer                                     |
| Not shown | 1    | 216864      | TXV Valve, 54PSI, Adjustable              |
| Not shown | 1    | 550389      | Lift-Off Louvered Panel                   |
| Not shown | A/R  | 214728      | Position Stud, Carving Board, SS          |
| Not shown | 1    | 212792      | Switch, Toggle, 30A, Red                  |
| Not shown | 1    | 553064      | Panel, Grill Switch                       |
| Not shown | 1    | 550902      | Guard, Toggle Switch                      |
| Not shown | 1    | 214947      | Filter, 9.375" x 9.875" x .3125"          |

**Table: PL-1 Tri-Channel Cold Pan**

### TRI-CHANNEL COLD PAN

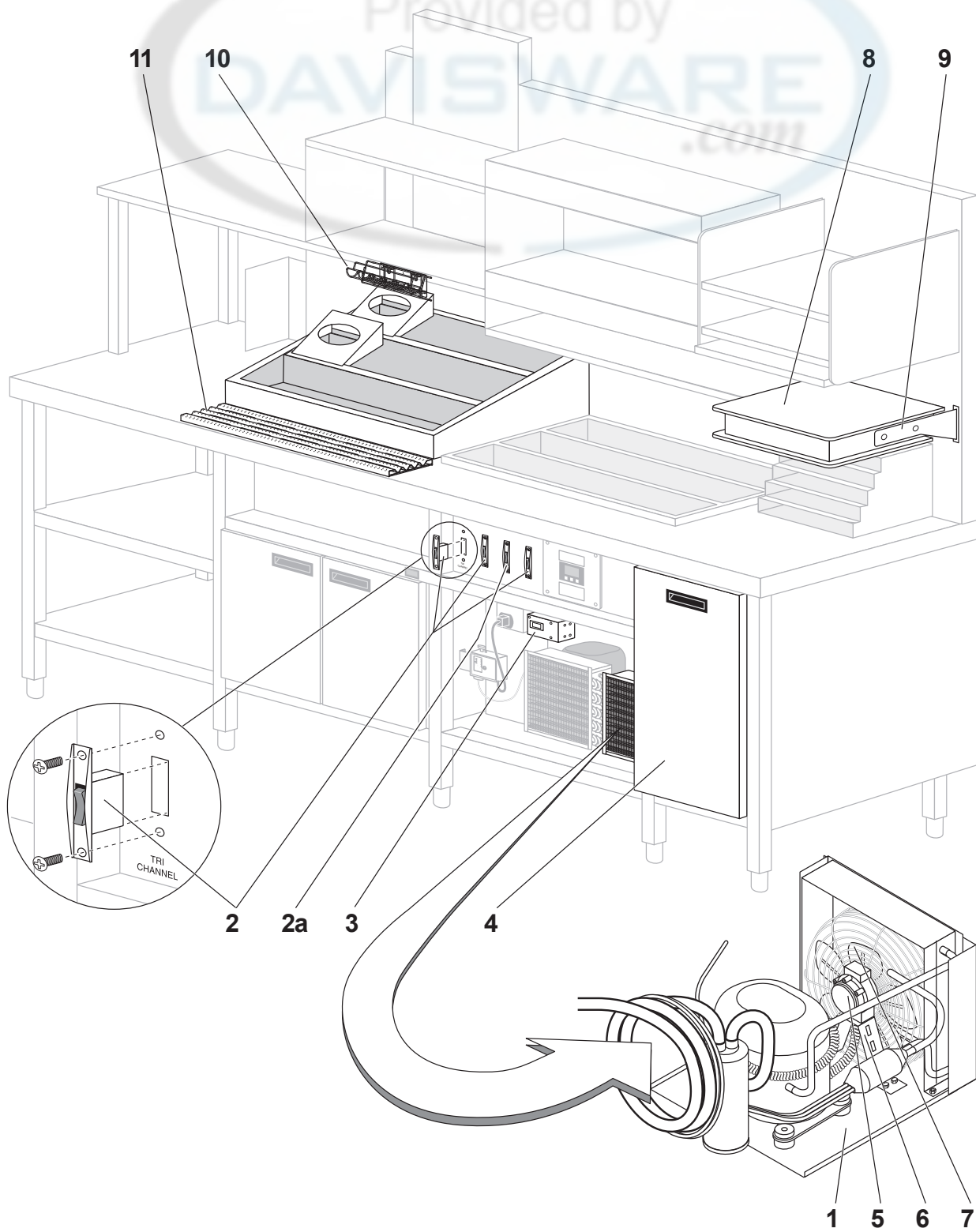


Figure: PL-1 Tri-Channel Cold Pan

**REFRIGERATED BASE UNIT PARTS LIST**

| ITEM #    | QTY. | PART NUMBER | DESCRIPTION  |
|-----------|------|-------------|--|
| 1         | 1    | 550327      | Door, Insulated, 19" RT Refrigerated Cabinet         |
|           |      | 550329      | Door, Insulated, 17" RT Refrigerated Cabinet         |
| 2         | 1    | 550328      | Door, Insulated, 17" LT Refrigerated Cabinet         |
|           | 1    | 550326      | Door, Insulated, 19" LT Refrigerated Cabinet         |
| 3         | 1    | 216645      | Gasket, Door, 17"                                    |
| 4         | 1    | 216636      | Gasket, Door, 19"                                    |
| 5         | 4    | 214570      | Hinge, Base  |
|           |      | 251420      | Hinge, Door, Back Counter                            |
| 6         | 1    | 506838      | Plate, Control Access                                |
| 7         | 2    | 214947      | Filter, 9.375" x 9.875" x .3125"                     |
| 8         | 1    | 216643      | Refrigerated Base Control, Temperature, #A12-700     |
| 9         | 1    | 071136      | Condensing Unit. 1/5 HP R-134A, 120V, 60 Hz          |
| 10        | 6    | 214556      | Leg Assembly, Galvanized, 1-5/8" x 6" Plate Mount    |
|           |      | 214508      | Leg Assembly, Stainless Steel, 1-5/8" x 6"           |
| 11        | 1    | 550948      | Panel, Fold Down LR                                  |
|           |      | 550398      | Panel, Fold Down LR                                  |
| 12        | 6    | 550081      | Assembly, Shelf Pilaster                             |
| 13        | 1    | 550313      | Pilaster Mount Filler                                |
| 14        | 1    | 216746      | Wire Rack, 17" Opening, SS                           |
| 15        | 1    | 216747      | Wire Rack, 19" Opening, SS                           |
| 16        | 1    | 550087      | Plate, Evaporator Cover                              |
| 17        | 6    | 213091      | Thumb Screws, Evaporator Cover 10-24 X 5/8           |
| 18        | 6    | 212610      | Shelf, Clip  |
| 19        | 1    | 216675      | Display, Temperature                                 |
| Not shown | 6    | 212611      | Support, Pin   |
| Not shown | 1    | 550956      | Box, Electrical, 4 Switch                            |
| Not Shown | 1    | 216600      | Cap, Tube, .042" ID X .093" OD (Order by qty, 10 ft) |

**Table: PL-2 Refrigerated Base Unit**

### REFRIGERATED BASE UNIT

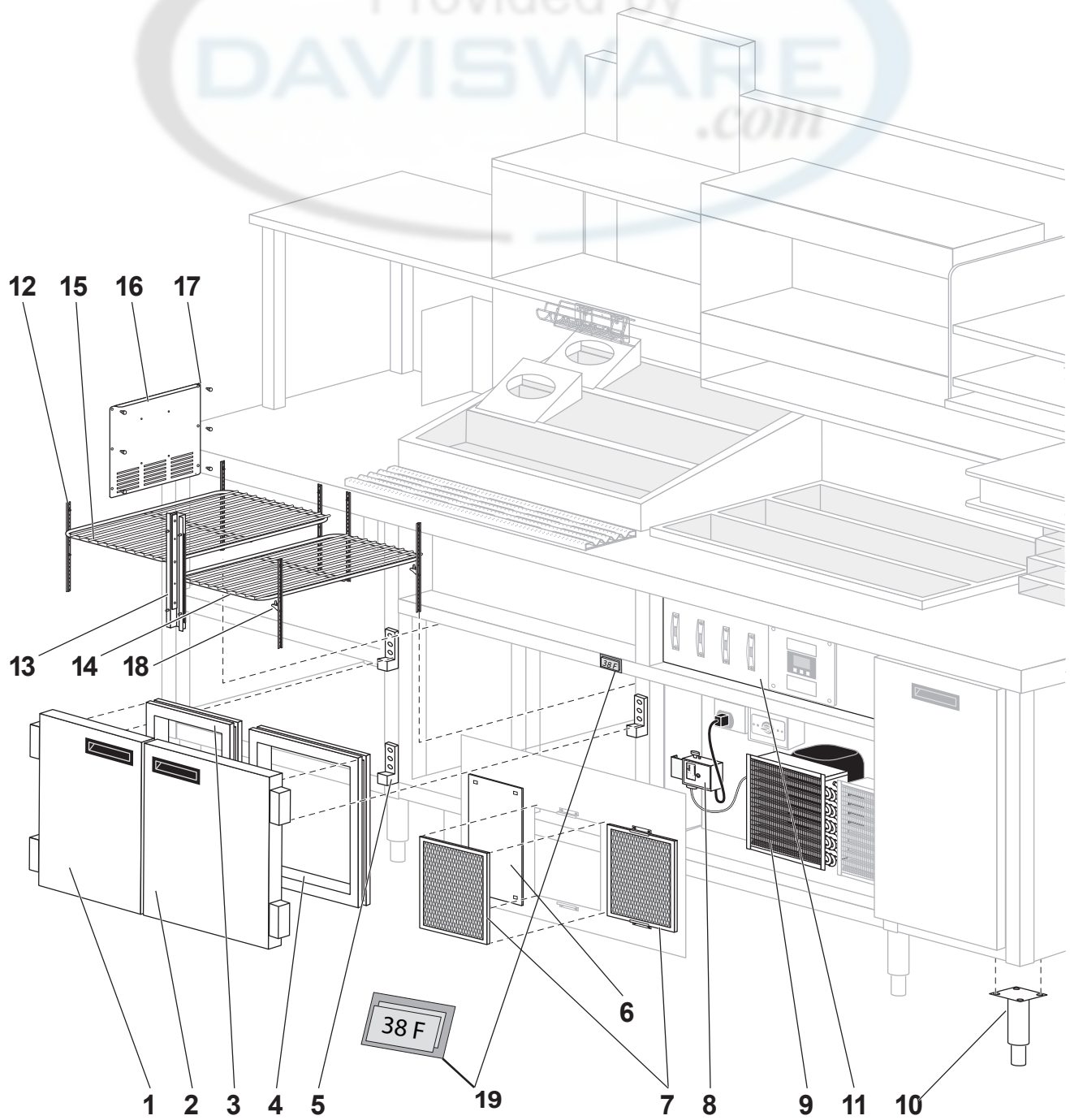


Figure: PL-2 Refrigerated Base Unit

**DRY CHANNEL WARMER PARTS LIST**

| ITEM #    | QTY. | PART NUMBER | DESCRIPTION                      |
|-----------|------|-------------|----------------------------------|
| 1         | 1    | 171159      | Tub Assembly, Dry Channel HDC3   |
| 2         | 1    | 171160      | Frame Assembly, Channel Top HDC3 |
| 3         | 3    | 553290      | Kit, Channel HDC 3/6             |
| 4         | 1    | 212792      | Switch, Toggle, Red, 30A         |
| 5         | 1    | 553160      | Assembly, Relay Box with Switch  |
| Not shown | 1    | 551148      | Ground Bar, REV 5.1              |
| Not shown | 3    | 218985      | Ground Wire Cable                |
| Not shown | 1    | 228989      | Label, Front of Unit             |
| Not shown | 1    | 228990      | Label, Back of Unit              |
| Not shown | 1    | 553466      | Retrofit Toggle Switch Kit       |
| Not Shown | 1    | 553510      | Kit, Element Replacement         |
| Not Shown | 1    | 553511      | Kit, RTD Replacement             |
| Not Shown | 1    | 553512      | Kit, Hi-limit Replacement        |
| Not Shown | 1    | 228930      | Kit, Channel Gasket, Single Zone |

**Table: PL-3 Dry Channel Warmer**



### DRY CHANNEL WARMER PARTS LIST

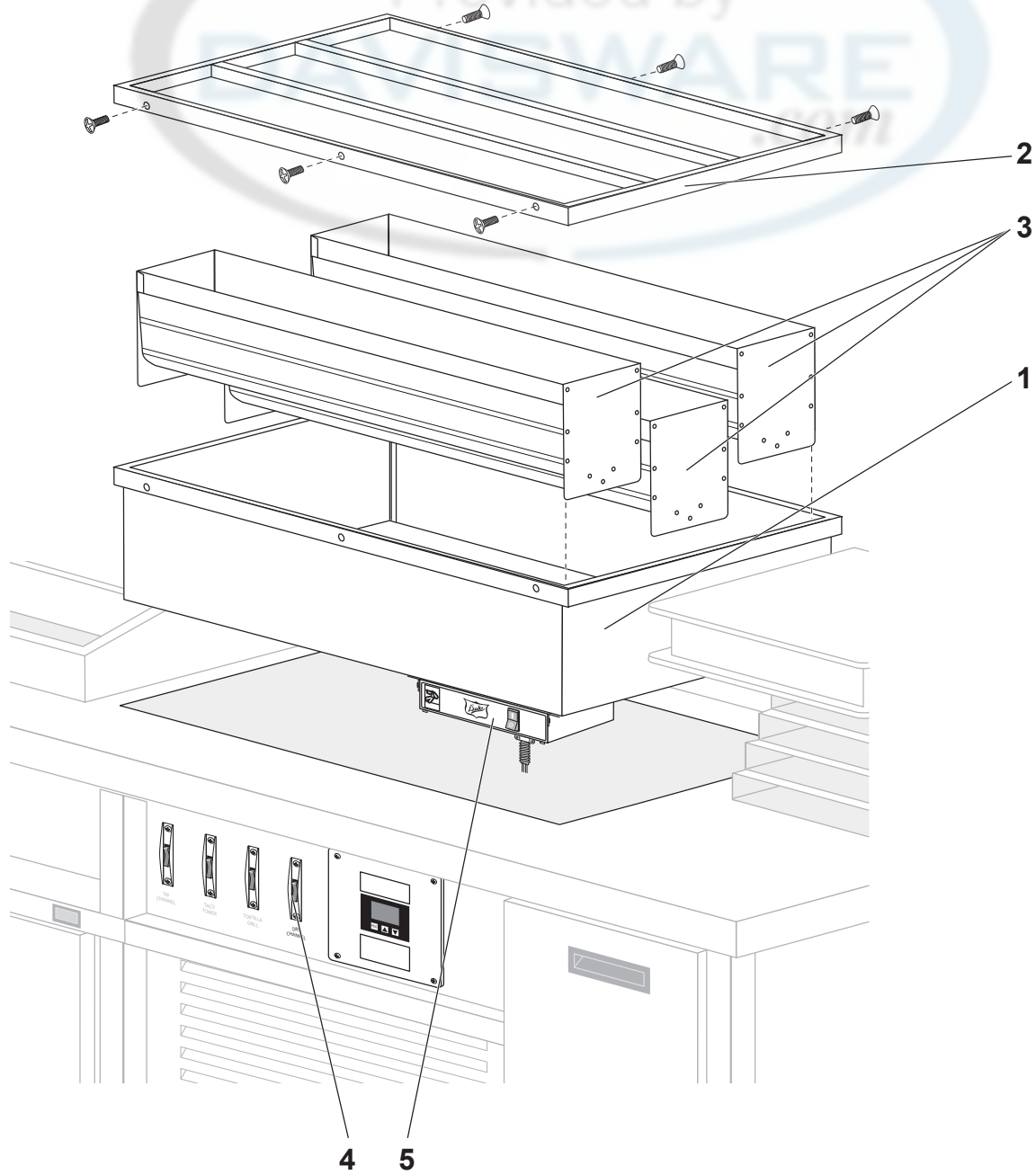


Figure: PL-3 Dry Channel Warmer

**DRY CHANNEL RELAY BOX ASSEMBLY**

| ITEM #    | QTY. | PART NUMBER | DESCRIPTION                          |
|-----------|------|-------------|--------------------------------------|
| 1         | 1    | 553075      | Box, Relay with Switch               |
| 2         | 1    | 553154      | Plate, Relay Mounting                |
| 3         | 6    | 218828      | Relay, Mini No 20A-240V-24V          |
| 4         | 1    | 218817      | Label, Relay Box                     |
| 5         | 13   | 213032      | Screw 8 X 1/2" TEK PHIL              |
| 6         | 1    | 553466      | Switch, Lighted, DPST 16GA @ 125V    |
| 7         | 1    | 218829      | Transformer, 208/240V Pri, 24V Sec   |
| 8         | 1    | 213403      | Stud PEM 8-32 X 1/2" SS              |
| 9         | 1    | 147351      | Nut Hex 8-32 HZ-T KEPS               |
| 10        | 1    | 171215      | Cable, Assembly Heater Wiring, 3-CHN |
| 11        | 1    | 213216      | Nutsert, ALM 832-80                  |
| 12        | 1    | 218805      | Terminal Block                       |
| 13        | 1    | 171171      | Top, Relay Box                       |
| 14        | 1    | 218819      | Wiring Diagram                       |
| 15        | 1    | 218820      | Label, Relays                        |
| 16        | 1    | 404886      | 8-32 X 1/2" RD HD PHIL SS            |
| 17        | 2    | 218830      | Screw, Connector                     |
| 18        | 1    | 218875      | Harness, DSUB Relay                  |
| 19        | 1    | 553202      | Angle, Mounting Bracket, Left        |
| 20        | 1    | 553203      | Angle, Mounting Bracket, Right       |
| Not Shown | 1    | 218812      | Harness, Terminal Block              |
| Not Shown | 1    | 553385      | Kit, Dry Channel retrofit            |

**Table: PL-4 Dry Relay Box Assembly**

### DRY CHANNEL RELAY BOX ASSEMBLY

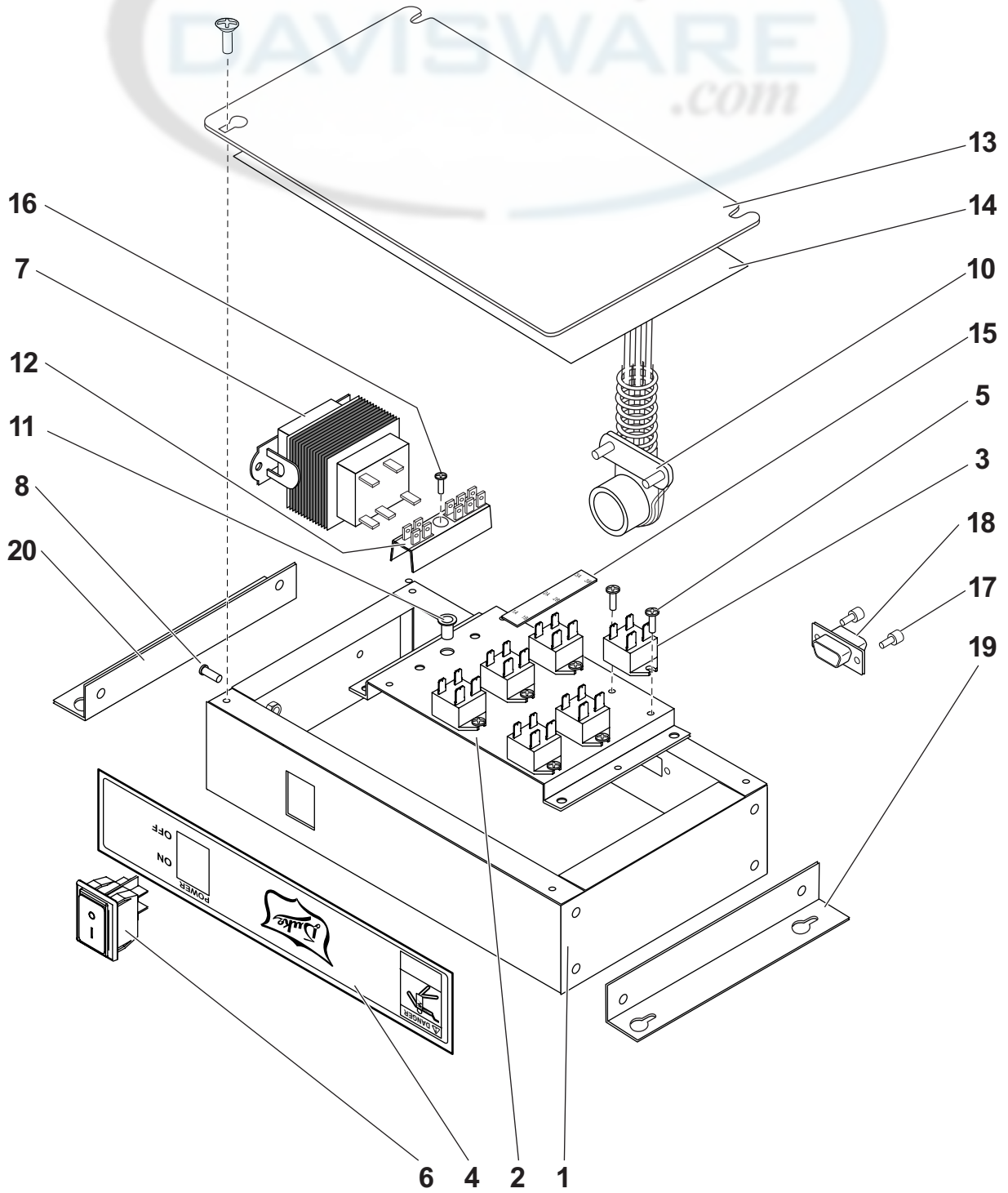


Figure: PL-4 Dry Relay Box Assembly

**DRY CHANNEL RELAY BOX ASSEMBLY REV 5.1**

| ITEM # | QTY. | PART NUMBER | DESCRIPTION  |
|--------|------|-------------|--|
| 1      | 1    | 553286      | Box, Relay with Switch                               |
| 2      | 1    | 553256      | Plate, Relay Mounting                                |
| 3      | 6    | 218828      | Relay, Mini No 20A-240V-24V                          |
| 4      | 1    | 218805      | Terminal Block                                       |
| 5      | 1    | 218829      | Transformer, 208/240V Pri, 24V Sec                   |
| 6      | 1    | 553202      | Angle, Mounting Bracket, Left                        |
| 7      | 1    | 553203      | Angle, Mounting Bracket, Right                       |
| 8      | 1    | 213403      | Stud, PEM, 8-32 X 1/2", SS                           |
| 9      | 1    | 218902      | Terminal Block                                       |
| 10     | 1    | 553257      | Top, Relay Box                                       |
| 11     | 2    | 218904      | Bushing, HEYCO 1217                                  |
| 12     | 1    | 218918      | Harness, Dry Channel, RTD's                          |
| 13     | 1    | 218917      | Harness, Dry Channel, Relays                         |
| 14     | 12   | 213166      | Pop Rivet, 5/32 X 1/8 SS                             |
| 15     | 4    | 213196      | Screw, 8-32 X 1/2" PAN PHIL                          |
| 16     | 4    | 147351      | Nut, Hex, 8-32 HZ-T KEPS                             |
| 17     | 13   | 213032      | Screw, 8 X 1/2" TEK PHIL                             |
| 18     | 2    | 213427      | Screw, 4-40 X 1/2" FPPH                              |
| 19     | 1    | 218963      | Switch, Toggle, NKK, 25 Amp                          |
| 20     | 1    | 218965      | Plate, ON – OFF, 12MM                                |
| 21     | 1    | 218946      | Conduit, Assembly, Power Supply Relay Box, Hardwired |
| 22     | 1    | 218819      | Wiring Diagram                                       |

**Table: PL-5 Dry Relay Box Assembly Rev 5.1**

### DRY CHANNEL RELAY BOX ASSEMBLY REV 5.1

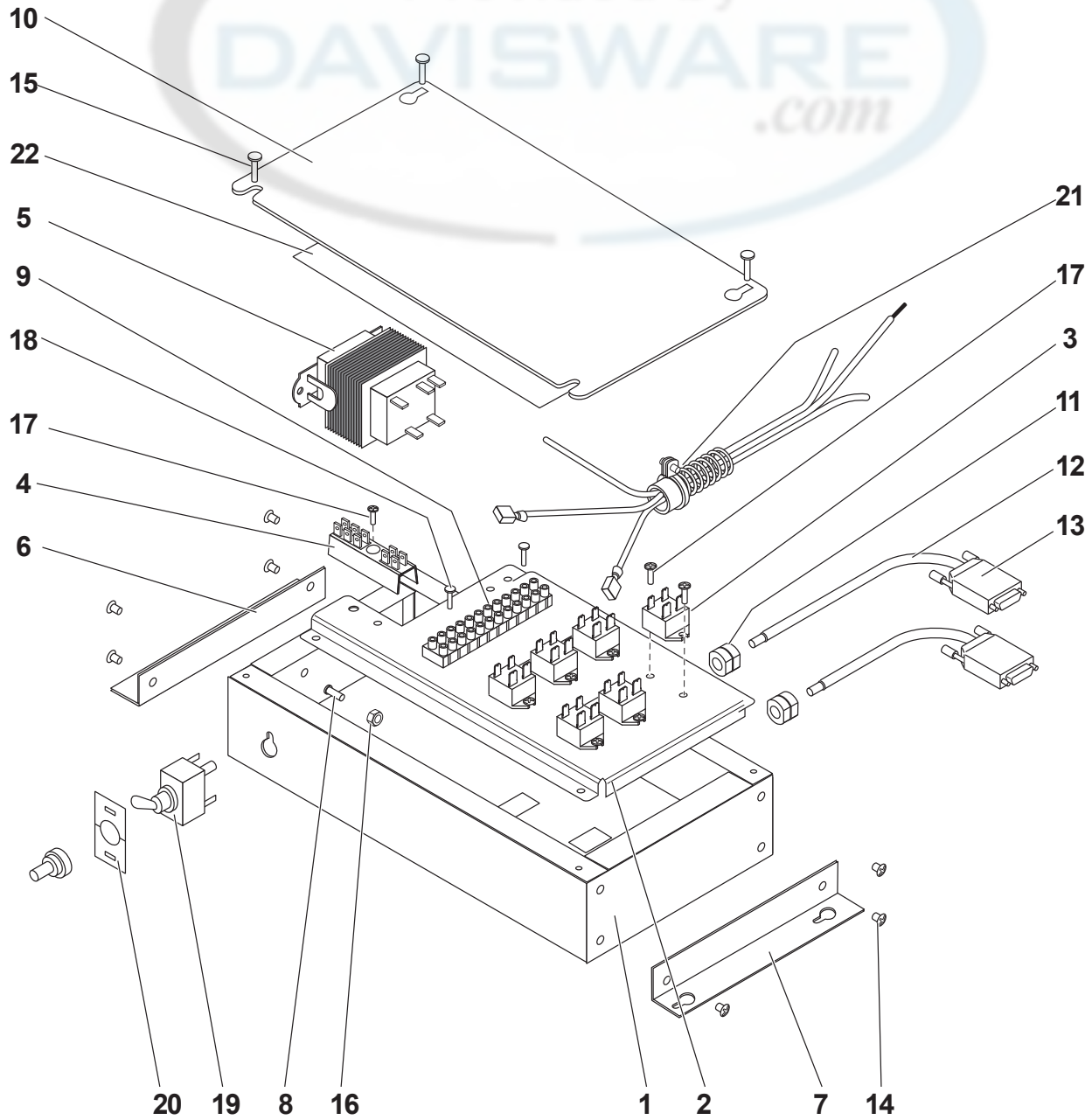
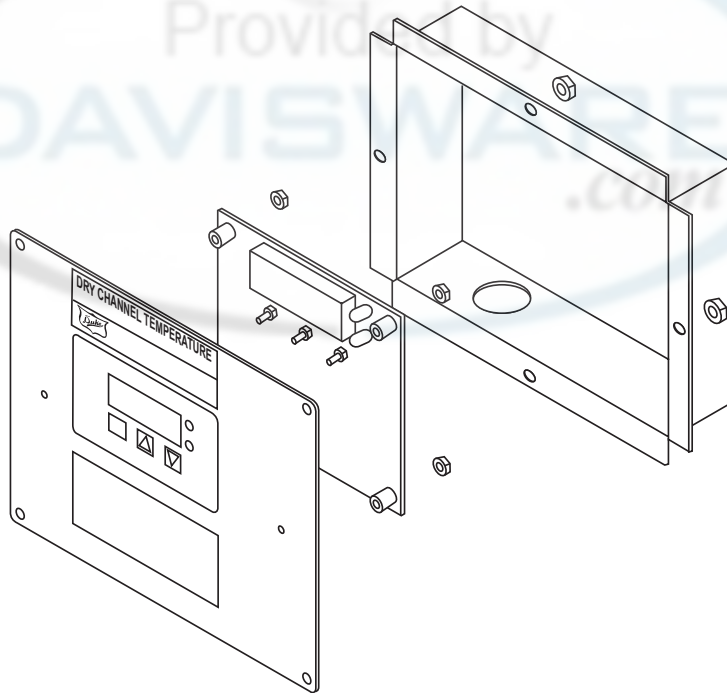


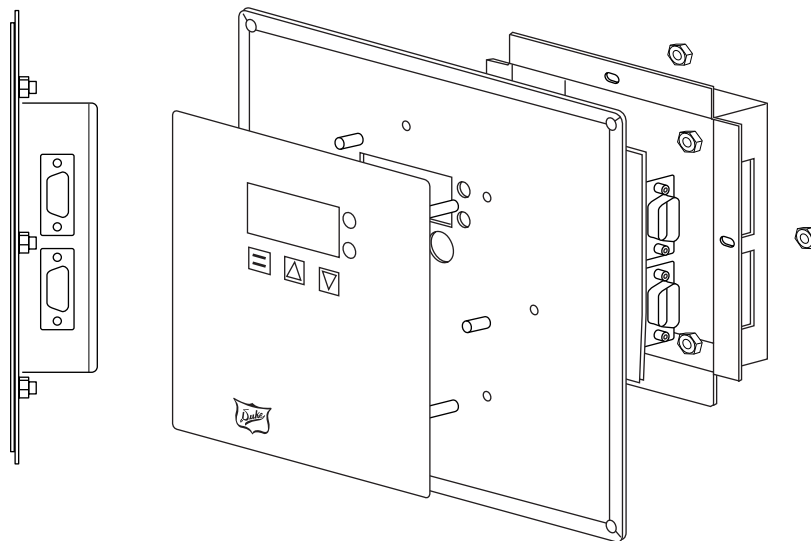
Figure: PL-5 Dry Relay Box Assembly Rev 5.1

### DRY CHANNEL CONTROL BOARD



**Figure: PL-6 Dry Channel Control Board**

| PART NO. | DESCRIPTION                     | HDC3-37.5 | HDC4-44 | HDC6-37.5 |
|----------|---------------------------------|-----------|---------|-----------|
| 218800   | Assembly, Display Control Board | 1         | 2       | 3         |



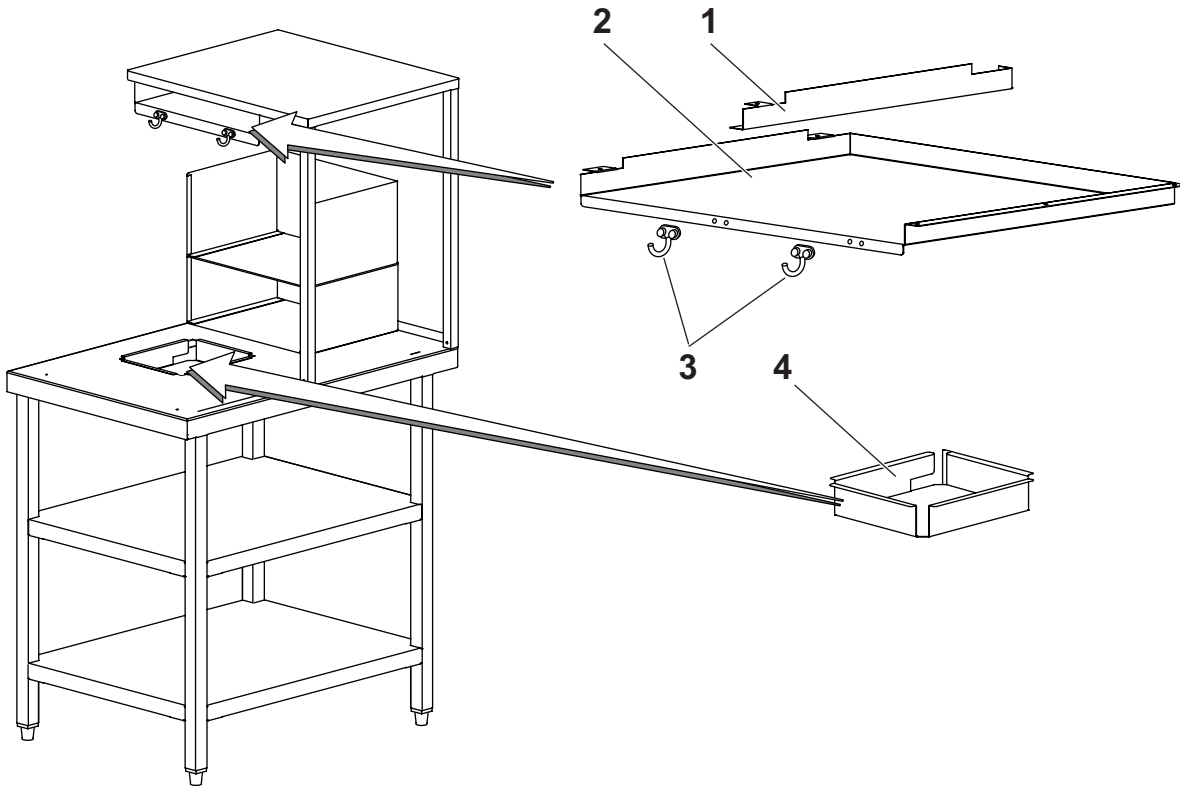
**Figure: PL-7 Dry Channel Control Board – Version 4**

| PART NO. | DESCRIPTION  | HDC3-37.5 | HDC4-44 | HDC6-37.5 |
|----------|--|-----------|---------|-----------|
| 218880   | Assembly, Dual Zone, Display Control Board Ver 4 (04/2007)   | 1         | 2       | 3         |
| 228881   | Assembly, Single Zone, Display Control Board Ver 4 (04/2007) | 1         | 2       | 3         |

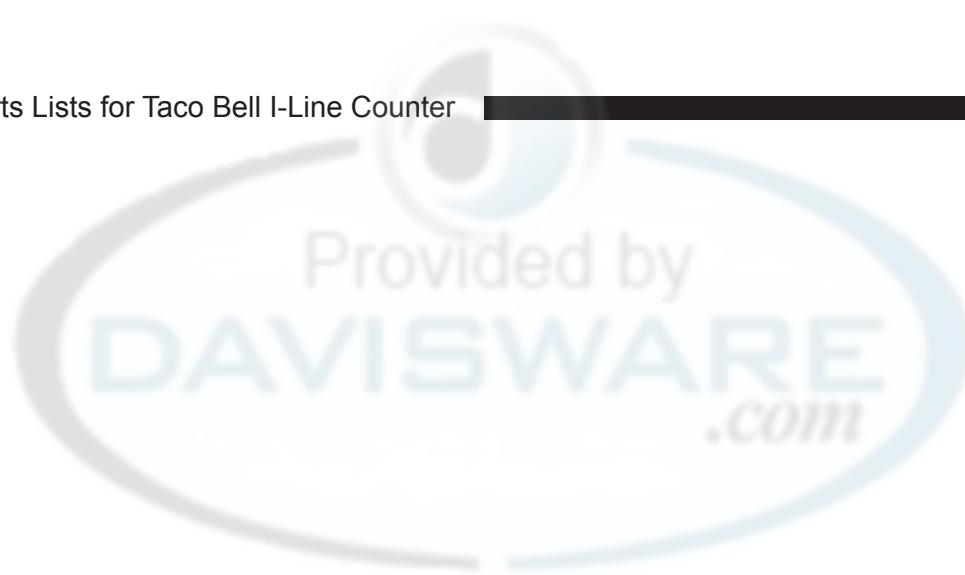
### I-LINE EXTENSION TABLE

| ITEM # | QTY. | PART NUMBER | DESCRIPTION               |
|--------|------|-------------|---------------------------|
| 1      | 1    | 550827      | Wrapper Shelf Divider, RT |
| 2      | 1    | 550900      | Wrapper Shelf, LT         |
| 2      | 1    | TB020008    | Wrapper Shelf, RL         |
| 3      | 2    | 212790      | J-Hook, Small             |
| 4      | 1    | 551112      | Pan Scale, S/S            |

**Table: PL-8 I-Line Extension Table**



**Figure: PL-8 I-Line Extension Table**



*“Your Solutions Partner”*

## **Duke Manufacturing Co.**

**2305 N. Broadway • St. Louis, MO 63102**

**800.735.3853 • 314.231.1130**

**Fax: 314-231-5074**

**[www.dukemfg.com](http://www.dukemfg.com)**