

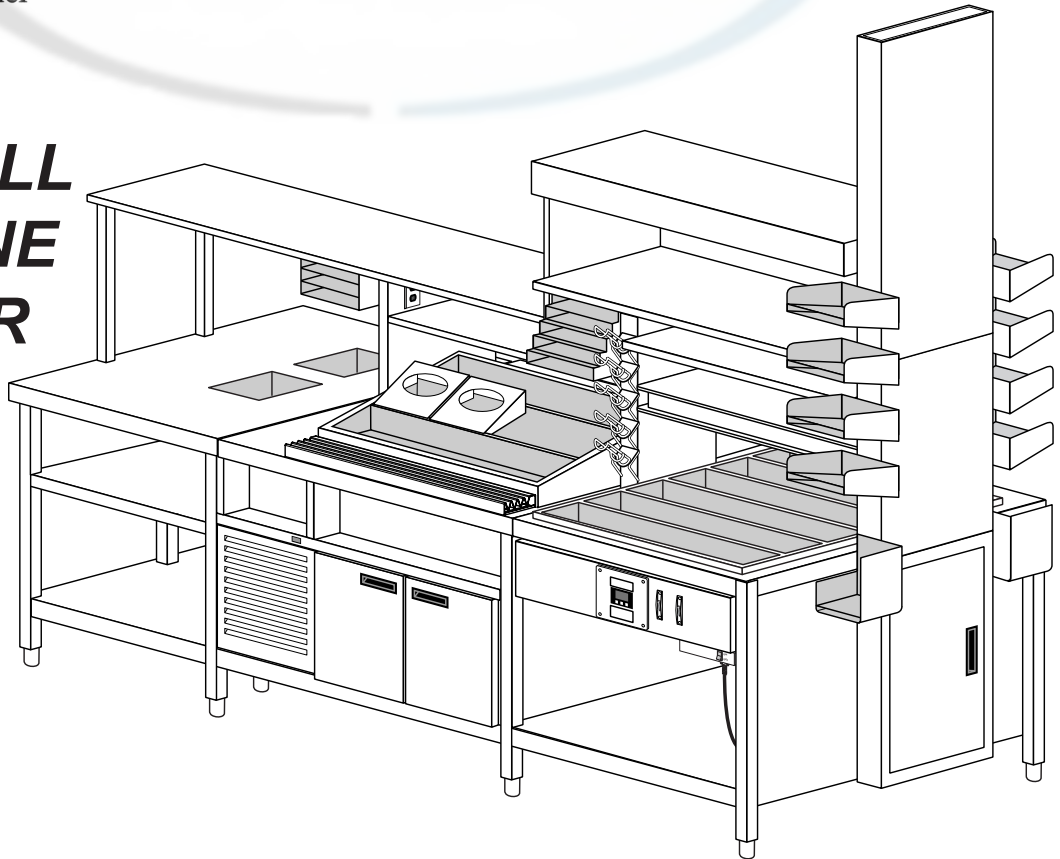


"Your Solutions Partner"

Illustrated Parts List

Provided by
DAVISWARE
.com

TACO BELL DUAL-LINE COUNTER



*This manual is Copyright © 2010 Duke Manufacturing Co. All rights reserved.
Reproduction without written permission is prohibited. Duke is a registered
trademark of the Duke Manufacturing Co.*

Duke Manufacturing Co.

2305 N. Broadway • St. Louis, MO 63102

800.735.3853 • 314.231.1130

Fax: 314-231-5074

www.dukemfg.com

TABLE OF CONTENTS

DETERMINING THE MANUFACTURING DATE FROM
A PIECE OF EQUIPMENT’S SERIAL NUMBER.....3

TRI-CHANNEL COLD PAN4
 Table: PL-1 Tri-Channel Cold Pan4
 Figure: PL-1 Tri-Channel Cold Pan5

REFRIGERATED BASE UNIT.....6
 Table: PL-2 Refrigerated Base Unit.....6
 Figure: PL-2 Refrigerated Base Unit7

DRY CHANNEL WARMER.....8
 Table: PL-3 Dry Channel Warmer8
 Figure: PL-3 Dry Channel Warmer9

DRY CHANNEL RELAY BOX ASSEMBLY10
 Table: PL-4 Dry Channel Relay Box Assembly.....10
 Figure: PL-4 Dry Channel Relay Box Assembly11

DRY CHANNEL RELAY BOX ASSEMBLY REV 5.1.....12
 Table: PL-5 Dry Channel Relay Box Assembly Rev 5.112
 Figure: PL-5 Dry Channel Relay Box Assembly Rev 5.1.....13

DRY CHANNEL CONTROL BOARD.....14
 Figure: PL-6 Dry Channel Control Board.....14
 Figure: PL-7 Dry Channel Control Board – Version 4.....14

DETERMINING THE MANUFACTURING DATE FROM A PIECE OF EQUIPMENT'S SERIAL NUMBER

Units Manufactured in St. Louis

Serial Number Example: 30JDJF0001

30	JD	JF	0001
Specifies the type of unit	Specifies the year manufactured - see code below.	Specifies the month manufactured - see code below.	Sequential digits

Code Interpretation for units manufactured in St. Louis.

A = 1 B = 2 C = 3 D = 4 E = 5 F = 6 G = 7 H = 8 I = 9 J = 0

The serial number 30JDJF0001 indicates that the unit was built in 2004 (JD = 04) in the month of June (JF = 06).

Units Manufactured in Sedalia

Serial Number Example: 01040019

01	04	0019
Specifies the month manufactured	Specifies the year manufactured	Sequential digits

The serial number 01040019 indicates that the unit was built in January of 2004.

TRI-CHANNEL COLD PAN

ITEM	QTY.	PART NUMBER	DESCRIPTION
1	1	216380	Condensing Unit, 120VAC, 60Hz, 1/3 HP
		216879	Condensing Unit, 120VAC, 60Hz, 1/3 HP, TXV
2	1	217811	Motor, Electric Fan 120VAC
3	1	217810	Fan Bracket
4	1	217812	Fan Blade
5	1	212450	Tri-Channel Control, Temperature
	1	216837	TXV Thermostat, effective after 04/08
6	1	216600	Cap Tube .093OD X 0412ID (10')
7	1	212288	Switch, Tri-Channel Main Power
8	2	551072	Rail Assembly, Taco – Before 05/07
		550468	Rail Assembly, Taco – After 05/07
9	1	553393	Assembly, Wrapper Bins
10	2	216986	Rack, Vertical Bottle
11	2	550093	Assembly, Louvered Panel
Not Shown	1	216386	Valve, AVX, I-Line
Not Shown	1	216414	Dryer, TXV
Not Shown	1	216864	TXV Valve. 54 PSI, Adjustable
Not Shown	A/R	214728	Taco Rail Pin
Not Shown	1	553085	Switch Mounting Plate, 9.5" x 9.5"
Not Shown	2	550964	J-Hook, Sanitizer
Not Shown	1	216702	AXV Valve, Dual Line

Table: PL-1 Tri-Channel Cold Pan

TRI-CHANNEL COLD PAN

Provided by
DAVISWARE
.com

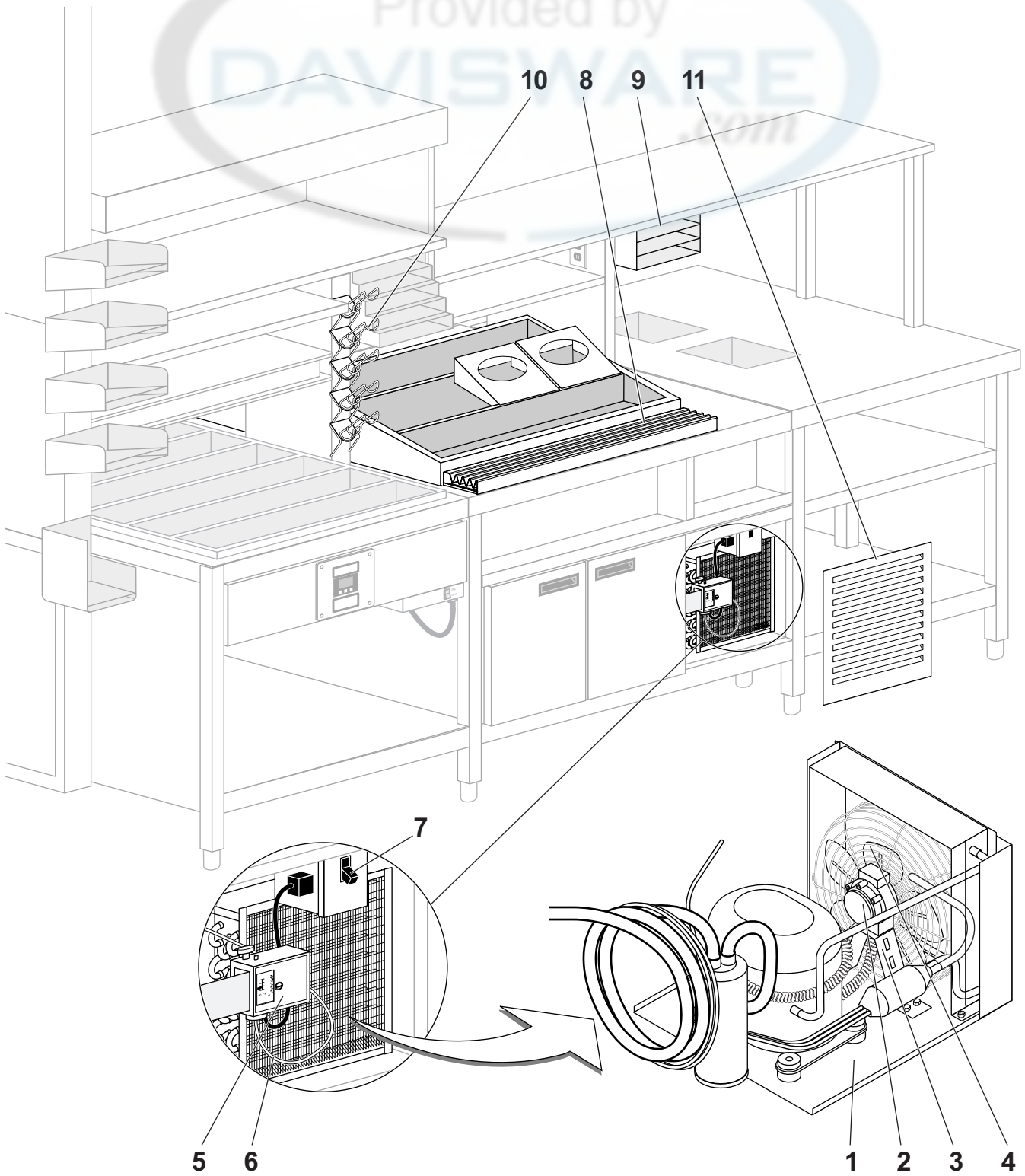


Figure: PL-1 Tri-Channel Cold Pan

REFRIGERATED BASE UNIT

ITEM	QTY.	PART NUMBER	DESCRIPTION
1	1	214947	Filter, 9.375x9.875x.3125
2	1	071136	Unit Cond. 1/5 HP R-134A 120V 60 Hz
3	1	COLD-KIT	Thermostat, Refrigerated Base Control
4	1	550326	Door, Insulated, 19" LT
		550328	Door, Insulated, 17" LT
5	1	550327	Door, Insulated, 19" RT
		550329	Door, Insulated, 17" RT
6	2	216645	Gasket, Door 17"
7	2	216636	Gasket, Door 19"
8	6	550081	Assembly, Shelf Pilaster
9	4	251420	Hinge, Base
10	6	214556	Leg, 6" Adj. mount plate
11	2	216747	Wire Rack, 19" Opening
12	2	216746	Wire Rack, 17" Opening
13	2	550313	Pilaster, Mount Filler
14	1	550087	Evaporator Cover
15	12	213091	Thumb Screws
16	16	212610	Shelf, Clip
17	1	216675	Temperature, Digital Display
Not Shown	16	212611	Support Pin

Table: PL-2 Refrigerated Base Unit

REFRIGERATED BASE UNIT

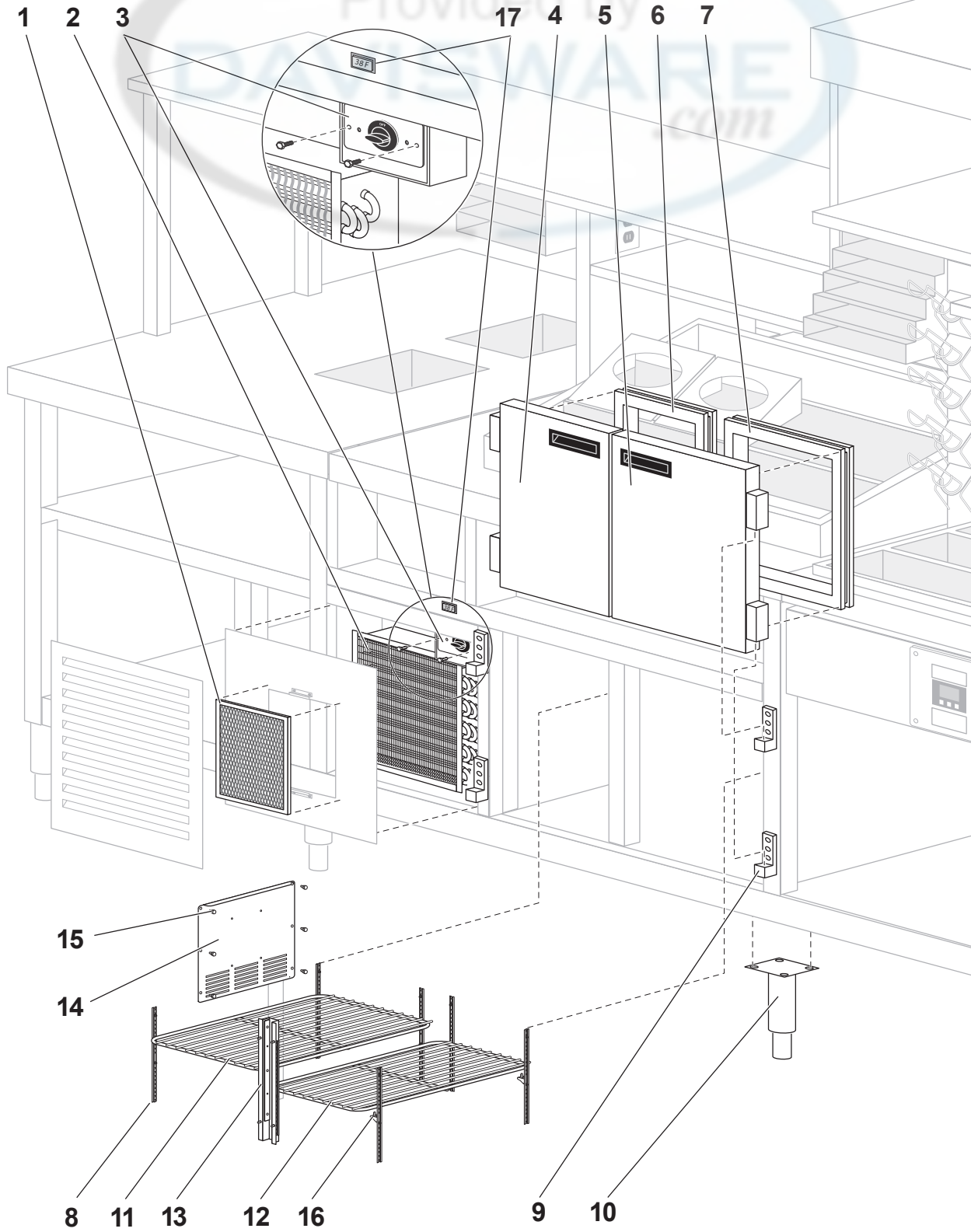


Figure: PL-2 Refrigerated Base Unit

DRY CHANNEL WARMER

ITEM	QTY.	PART NUMBER	DESCRIPTION
1	1	171153	Tub Assembly, Dry Channel HDC6
2	1	171154	Frame Assembly, Channel top HDC6
3	6	553290	Kit, Channel HDC 3/6, Center Channel
Not Shown	A/R	553291	Channel Kit HDC4, Center Channel
4	2	212792	Toggle Switch 30 amp Red
5	2	553160	Relay Box Assembly, w/switch
Not Shown	2	551148	Brkt, Ground Bar
Not Shown	6	218985	Grounding Cable
Not Shown	1	228931	Kit, Channel Gasket, Dual Zone

Table: PL-3 Dry Channel Warmer

DRY CHANNEL WARMER

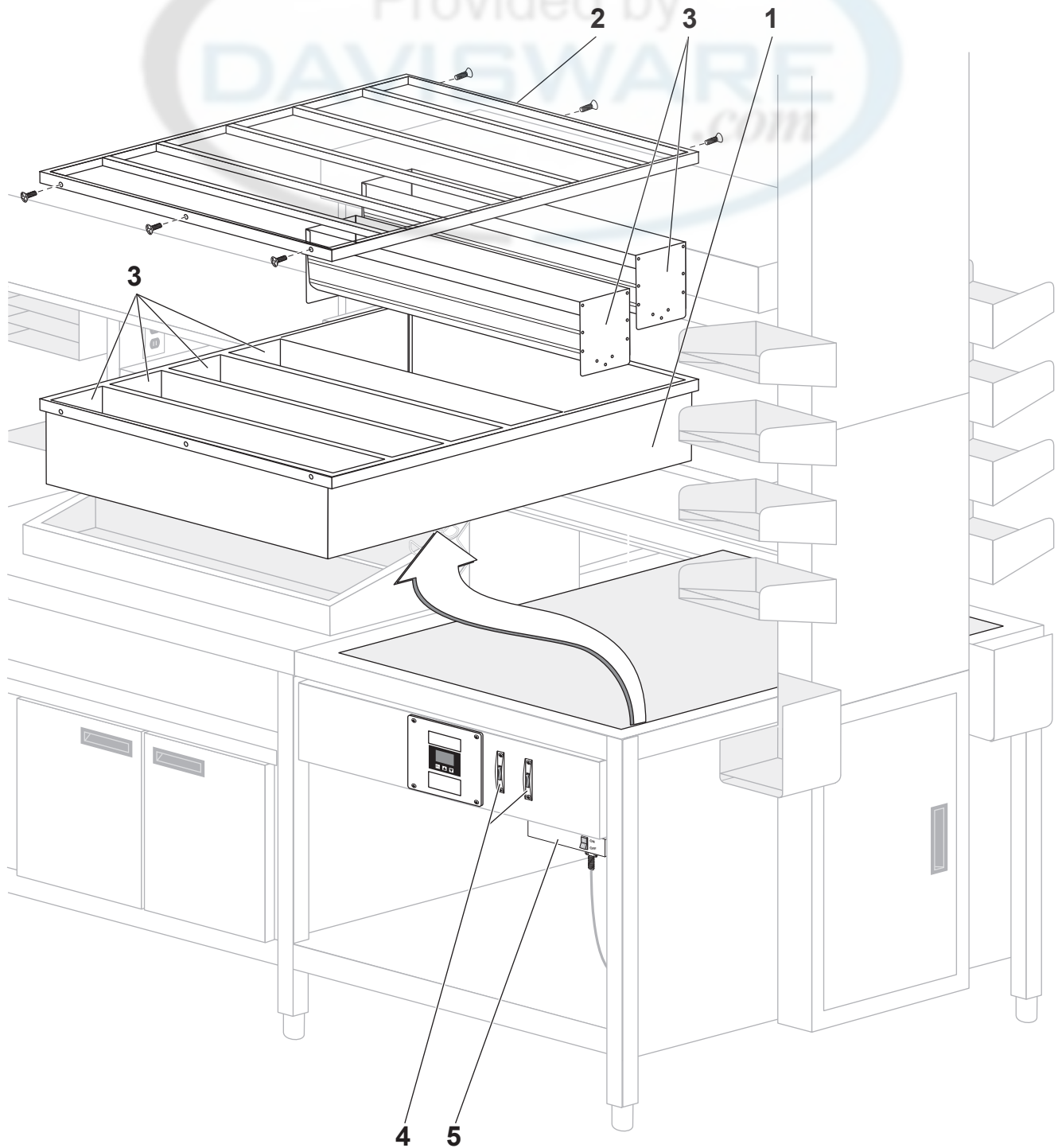


Figure: PL-3 Dry Channel Warmer

DRY CHANNEL RELAY BOX ASSEMBLY

ITEM	QTY.	PART NUMBER	DESCRIPTION
1	1	553075	Box, Relay with Switch
2	1	553154	Plate, Relay Mounting
3	6	218828	Relay, Mini No 20A-240V-24V
4	1	218817	Mylar, Relay Box
5	13	213032	Screw 8 X 1/2" TEK PHIL
6	1	553466	Switch, Lighted, DPST 16GA @ 125V
7	1	218829	Transformer, 208/240V Pri, 24V Sec
8	1	213403	Stud PEM 8-32 X 1/2" SS
9	1	147351	Nut Hex 8-32 HZ-T KEPS
10	1	171215	Cable, Assembly Power Supply
11	1	213216	Nutsert, 8-32
12	1	218805	Terminal Block
13	1	171171	Top, Relay Box
14	1	218819	Wiring Diagram
15	1	218820	Label, Relays
16	1	404886	8-32 X 1/2" RD HD PHIL SS
17	2	218830	Screw, Connector
18	1	218875	Harness, DSUB Relay
19	1	553202	Angle, Mounting Bracket, Left
20	1	553203	Angle, Mounting Bracket, Right
Not shown	1	218812	Harness, Terminal Block
Not Shown	1	553385	Kit, Dry Channel retrofit

Table: PL-4 Dry Channel Relay Box Assembly

DRY CHANNEL RELAY BOX ASSEMBLY

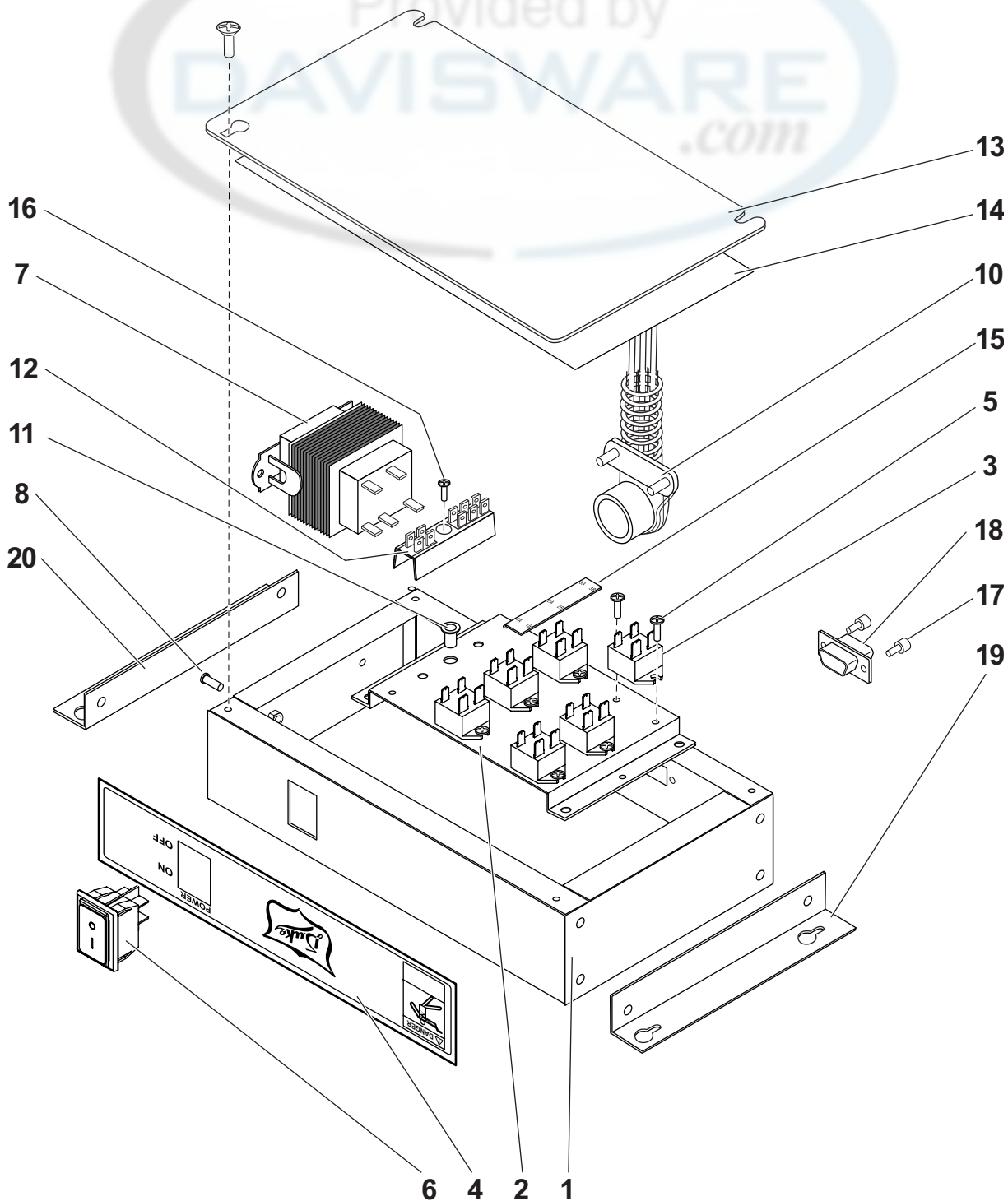


Figure: PL-4 Dry Channel Relay Box Assembly

DRY CHANNEL RELAY BOX ASSEMBLY REV 5.1

ITEM	QTY.	PART NUMBER	DESCRIPTION
1	1	553286	Box, Relay with Switch
2	1	553256	Plate, Relay Mounting
3	6	218828	Relay, Mini No 20A-240V-24V
4	1	218805	Terminal Block
5	1	218829	Transformer, 208/240V Pri, 24V Sec
6	1	553202	Angle, Mounting Bracket, Left
7	1	553203	Angle, Mounting Bracket, Right
8	1	213403	Stud PEM 8-32 X 1/2" SS
9	1	218902	Terminal Block
10	1	553257	Top, Relay Box
11	2	218904	Bushing, HEYCO 1217
12	1	218918	Harness, Dry Channel, RTD's
13	1	218917	Harness, Dry Channel, relays
14	12	213166	Pop Rivit 5/32 X 1/8 SS
15	4	213196	Screw, 8-32 X 1/2" PAN PHIL
16	4	154458	Nut Hex 8-32 HZ-T KEPS
17	13	213032	Screw 8 X 1/2" TEK PHIL
18	2	213427	Screw 4-40 X 1/2" FPPH
19	1	218963	Switch, Toggle NKK 25 Amp
20	1	218965	Plate, ON – OFF 12MM
21	1	218946	Conduit, Assembly Power Supply Relay Box Hardwired
22	1	218819	Wiring Diagram

Table: PL-5 Dry Channel Relay Box Assembly Rev 5.1

DRY CHANNEL RELAY BOX ASSEMBLY REV 5.1

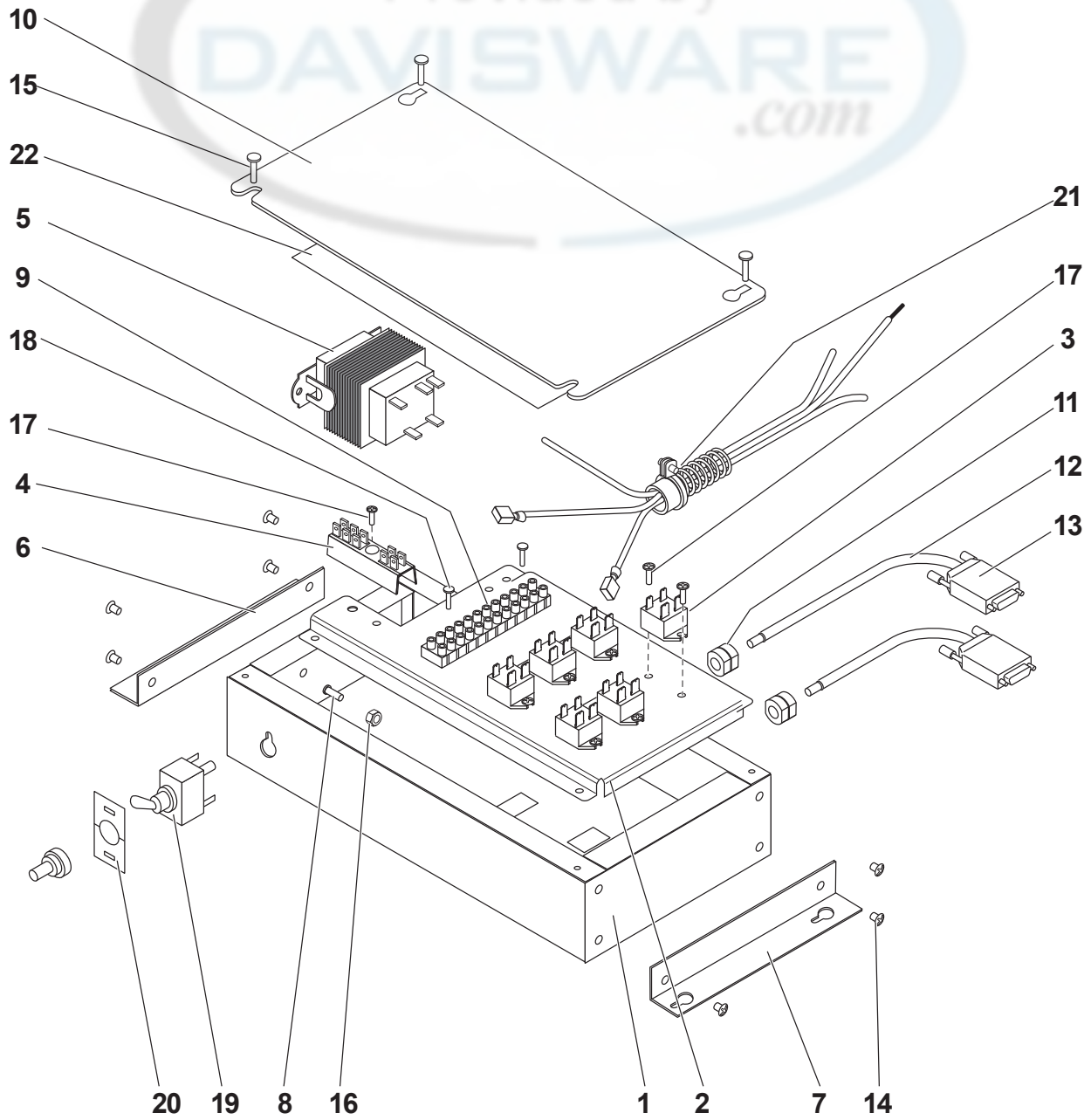


Figure: PL-5 Dry Channel Relay Box Assembly Rev 5.1

DRY CHANNEL CONTROL BOARD

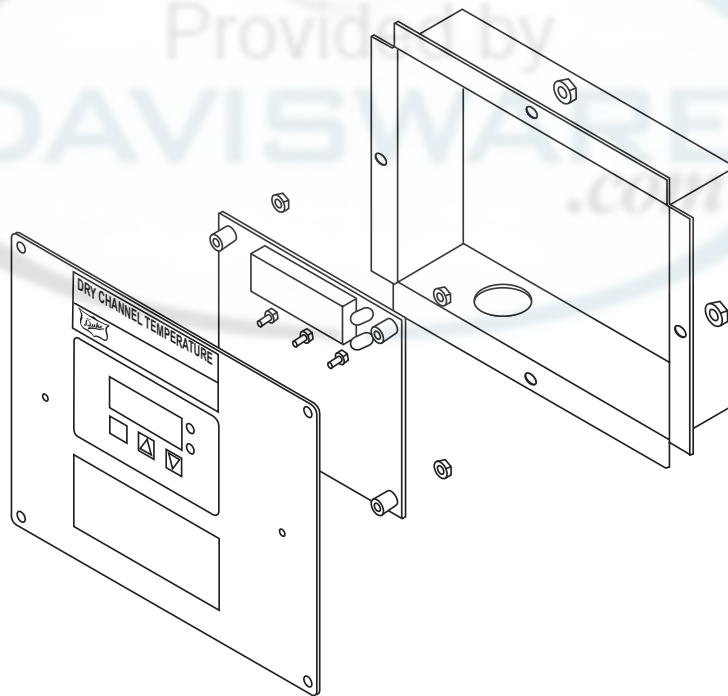


Figure: PL-6 Dry Channel Control Board

PART NO.	DESCRIPTION	HDC3-37.5	HDC4-44	HDC6-37.5
218800	Assembly, Display Control Board	1	2	3

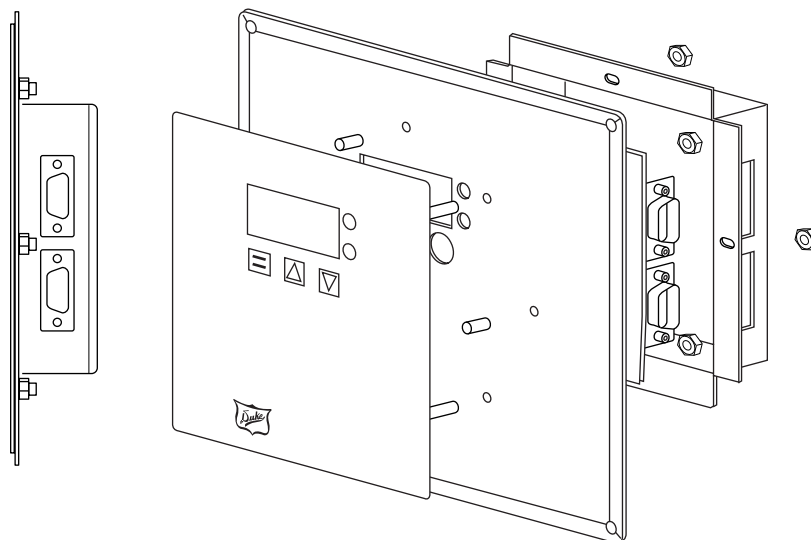


Figure: PL-7 Dry Channel Control Board – Version 4

PART NO.	DESCRIPTION	HDC3-37.5	HDC4-44	HDC6-37.5
218880	Assembly, Dual Zone, Display Control Board Ver 4 (04/2007)	1	2	3
228881	Assembly, Dual Zone, Display Control Board Ver 4 (04/2007)	1	2	3

NOTES





"Your Solutions Partner"

Duke Manufacturing Company

2305 N. Broadway • St. Louis, MO 63102

800.735.3853 • 314.231.1130

Fax: 314-231-5074

www.dukemfg.com