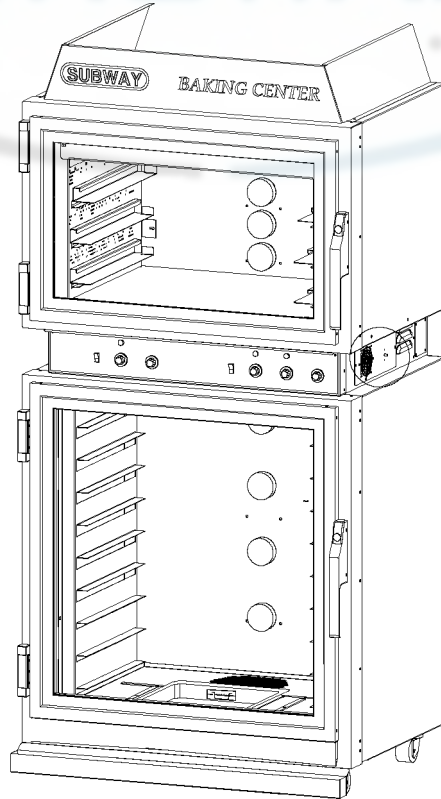




Illustrated Parts List
MODEL: AHPO-6/18 GOLD



Proofer Oven

*This manual is Copyright © 2005 Duke Manufacturing Company. All rights reserved.
Reproduction without written permission is prohibited. Duke is a registered
trademark of the Duke Manufacturing Company.*

Duke Manufacturing Company

2305 N. Broadway
St. Louis, MO 63102
Phone: 314-231-1130
Toll Free: 1-800-735-3853
Fax: 314-231-5074
www.dukemfg.com

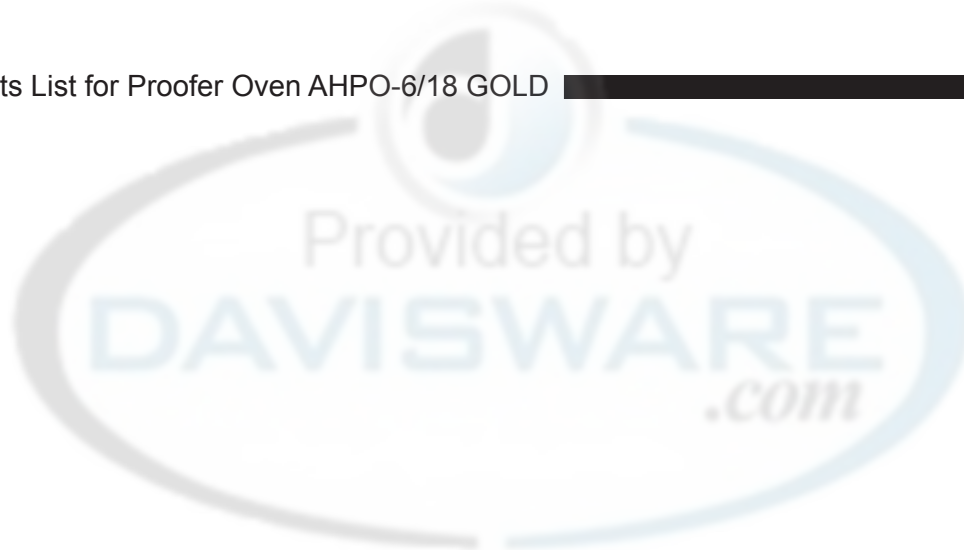


TABLE OF CONTENTS

CONTROL PANEL.....4
 Table: PL-1 Control Panel.....4
 Figure: PL-1 Control Panel.....5
MAIN CABINET COMPONENTS6
 Table: PL-2 Main Cabinet Components.....6
 Figure: PL-2 Main Cabinet Components7

CONTROL PANEL

ITEM	QTY.	PART NUMBER	DESCRIPTION
1		512852	Thermostat, Oven
2		154075	Buzzer
3		512972	Timer, 60 minute, 50 Hz
3		512971	Timer, 60 minute, 60 Hz
4		512850	Thermostat, proofer
5		512948	Switch, Infinite 208V
5		512949	Switch, Infinite 240V
6		512068	Light, indicator
7		502190	Mylar, AHPO 6/18 control panel
10		502805	Switch, circuit breaker
11		153142	Knob

Table: PL-1 Control Panel

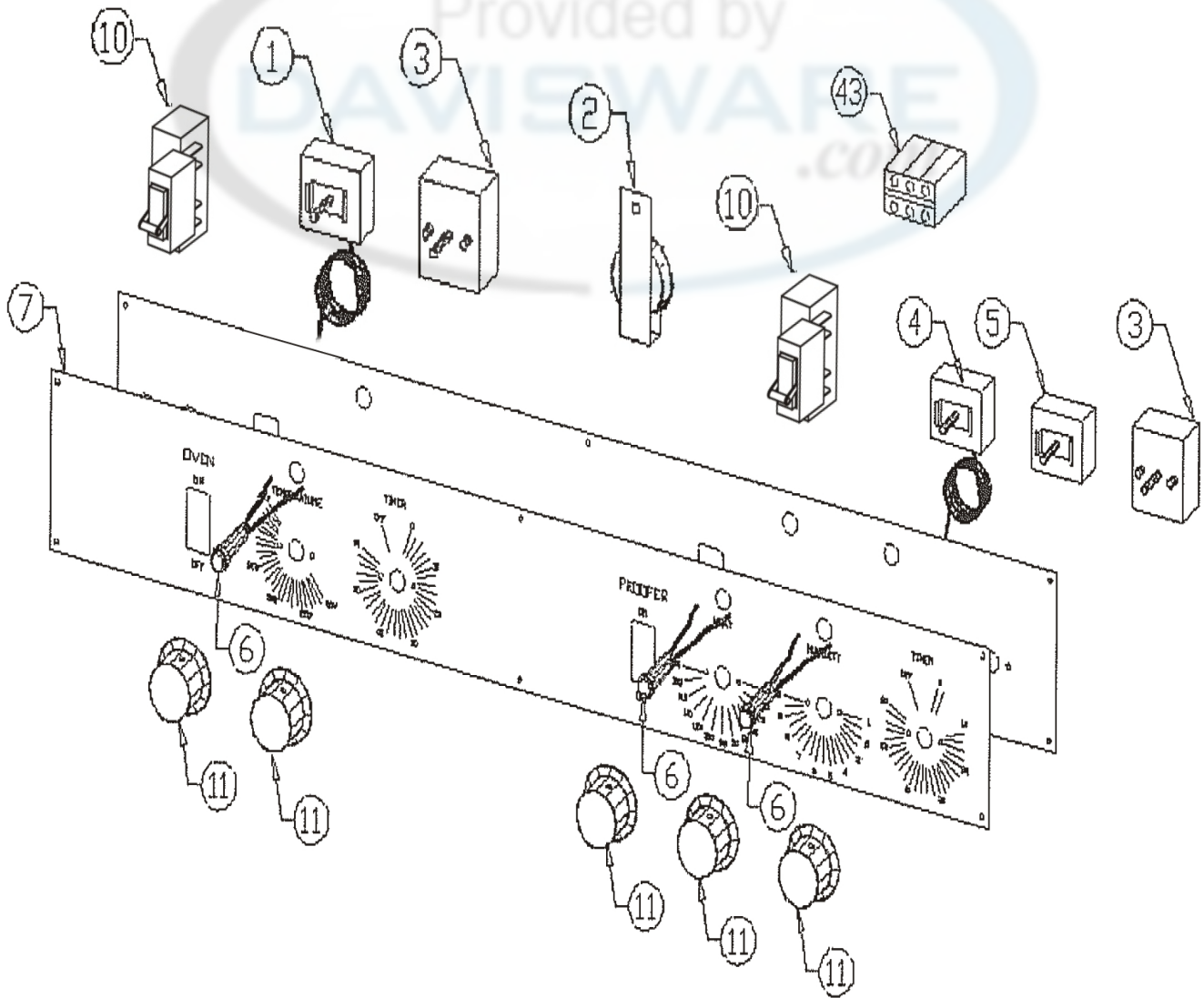


Figure: PL-1 Control Panel

MAIN CABINET COMPONENTS

ITEM	QTY.	PART NUMBER	DESCRIPTION
12		154470	Motor Oven – 230V
13		154039	Blower Wheel, Oven
14		512855	Thermostat, high limit w/leads
14		502177	Thermostat, high limit (CE ONLY)
15		502912	Mylar, Subway
16		512843	Compression spring, door switch assembly
17		512821	Plunger rod, door switch
18		154373	Element, Oven 208V 2500W
18		502831	Element, Oven 240V 2500W
19		154547	Wire rack
20		156040	Lens, Glass Light
21		156041	Gasket, lens
22		156029	Bulb, light, 120V, 40 Watt
22		502783	Bulb, light, 230V, 40 Watt
23		154434	Holder, lamp
23		502342	Fixture, Light Assembly, 230V
24		159092	Cooling fan
25		512956	Fan guard
26		512895	Element, 250 watt, 208V, proofer
26		502833	Element, 250 watt, 240V, proofer
27		600102	Kit, Element, 450 watt, 208V, humidity proofer
27		600103	Kit, Element, 450 watt, 240V, humidity proofer
28		512872	Motor, proofer – 208/240 volt
29		154019	Blower, forward curve, proofer
30		512836	Castor, swivel
31		512835	Castor, locking w/brake
32		512935	Drip pan
33**		155977	Housing, drip edge – left hinged door
33**		155979	Housing, drip edge – right hinged door
34**		155981	Gutter, drip edge
35**		155976	Channel, drip edge – left hinged door
35**		155978	Channel, drip edge – right hinged door
36		512817	Hinge, door
37		512905	Handle & latch assembly
38		512909	Proofer door assembly
39		502798	Oven door assembly
40		512914	Gasket, proofer door
41		512913	Gasket, oven door
42		502180	Cover, Motor
43		512840	Terminal Block, 3 Pole
43		512941	Terminal Block, 4 Pole
44*		502195	Cover Access
45		512833	Contact, 30 A
46		502744	Guard, Oven Light
47		502745	Guard, Proofer Light
48		502338	Fan, Motor

*Not shown

**Must be order as an assembly (156009)

Table: PL-2 Main Cabinet Components

Provided by
DAVISWARE
.com

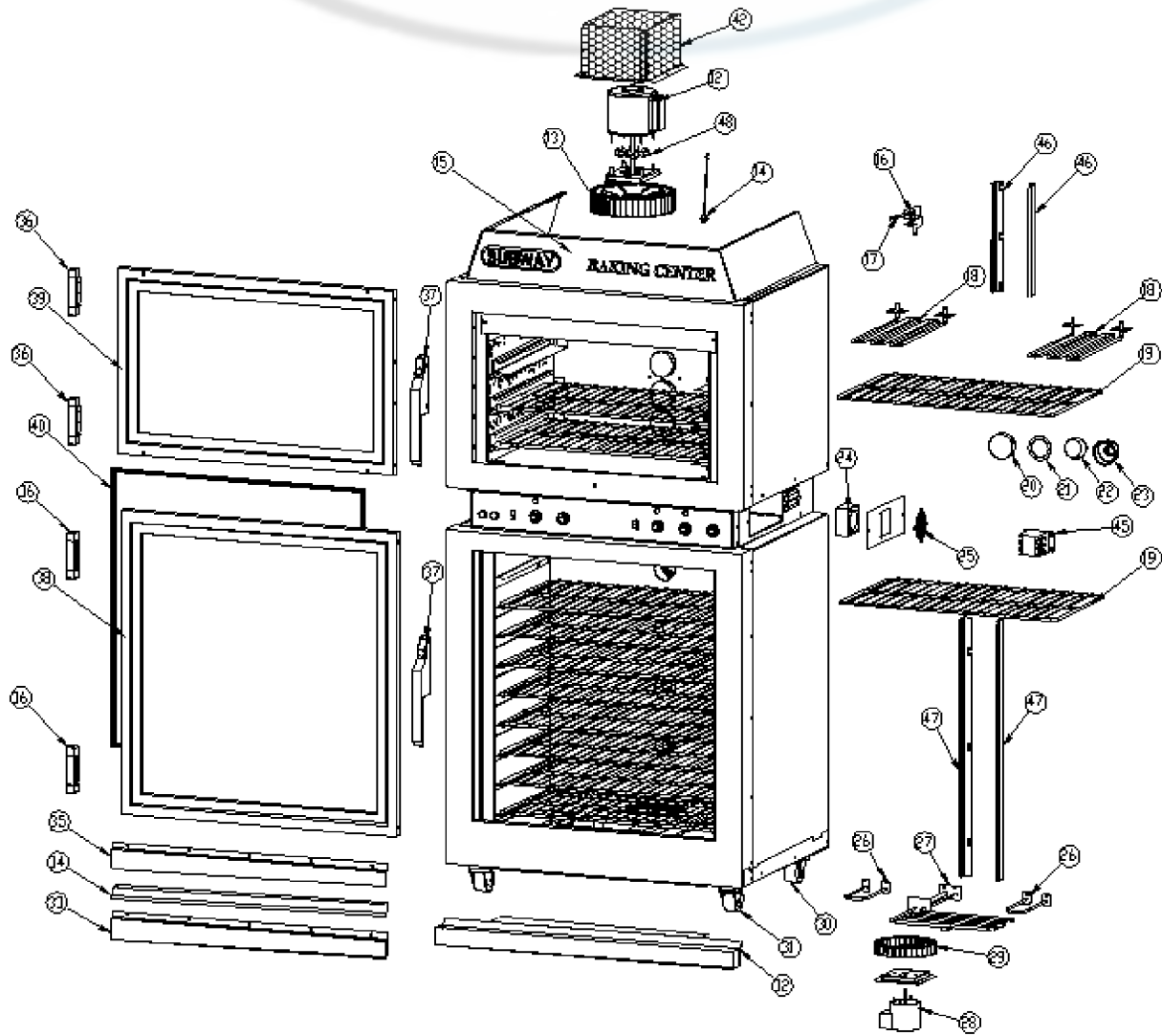


Figure: PL-2 Main Cabinet Components



Duke Manufacturing Company

2305 N. Broadway
St. Louis, MO 63102
Phone: 314-231-1130
Toll Free: 1-800-735-3853
Fax: 314-231-5074
www.dukemfg.com