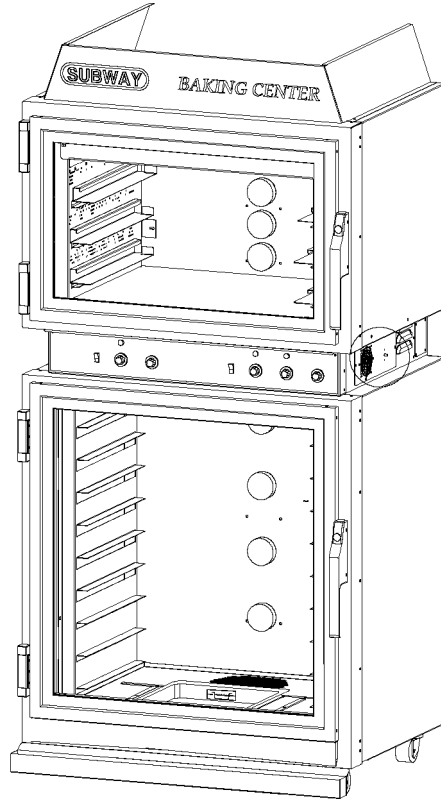




# ***Illustrated Parts List***

**MODEL: AHPO-6/18 GOLD**



## **Proofer Oven**

---

*This manual is Copyright © 2005 Duke Manufacturing Company. All rights reserved.  
Reproduction without written permission is prohibited. Duke is a registered  
trademark of the Duke Manufacturing Company.*

## **Duke Manufacturing Company**

2305 N. Broadway  
St. Louis, MO 63102  
Phone: 314-231-1130  
Toll Free: 1-800-735-3853  
Fax: 314-231-5074  
[www.dukemfg.com](http://www.dukemfg.com)



## TABLE OF CONTENTS

|                                            |   |
|--------------------------------------------|---|
| CONTROL PANEL.....                         | 4 |
| Table: PL-1 Control Panel.....             | 4 |
| Figure: PL-1 Control Panel.....            | 5 |
| MAIN CABINET COMPONENTS .....              | 6 |
| Table: PL-2 Main Cabinet Components.....   | 6 |
| Figure: PL-2 Main Cabinet Components ..... | 7 |

## CONTROL PANEL

| ITEM | QTY. | PART NUMBER | DESCRIPTION                    |
|------|------|-------------|--------------------------------|
| 1    |      | 512852      | Thermostat, Oven               |
| 2    |      | 154075      | Buzzer                         |
| 3    |      | 512972      | Timer, 60 minute, 50 Hz        |
| 3    |      | 512971      | Timer, 60 minute, 60 Hz        |
| 4    |      | 512850      | Thermostat, proofer            |
| 5    |      | 512948      | Switch, Infinite 208V          |
| 5    |      | 512949      | Switch, Infinite 240V          |
| 6    |      | 512068      | Light, indicator               |
| 7    |      | 502190      | Mylar, AHPO 6/18 control panel |
| 10   |      | 502805      | Switch, circuit breaker        |
| 11   |      | 153142      | Knob                           |

**Table: PL-1 Control Panel**

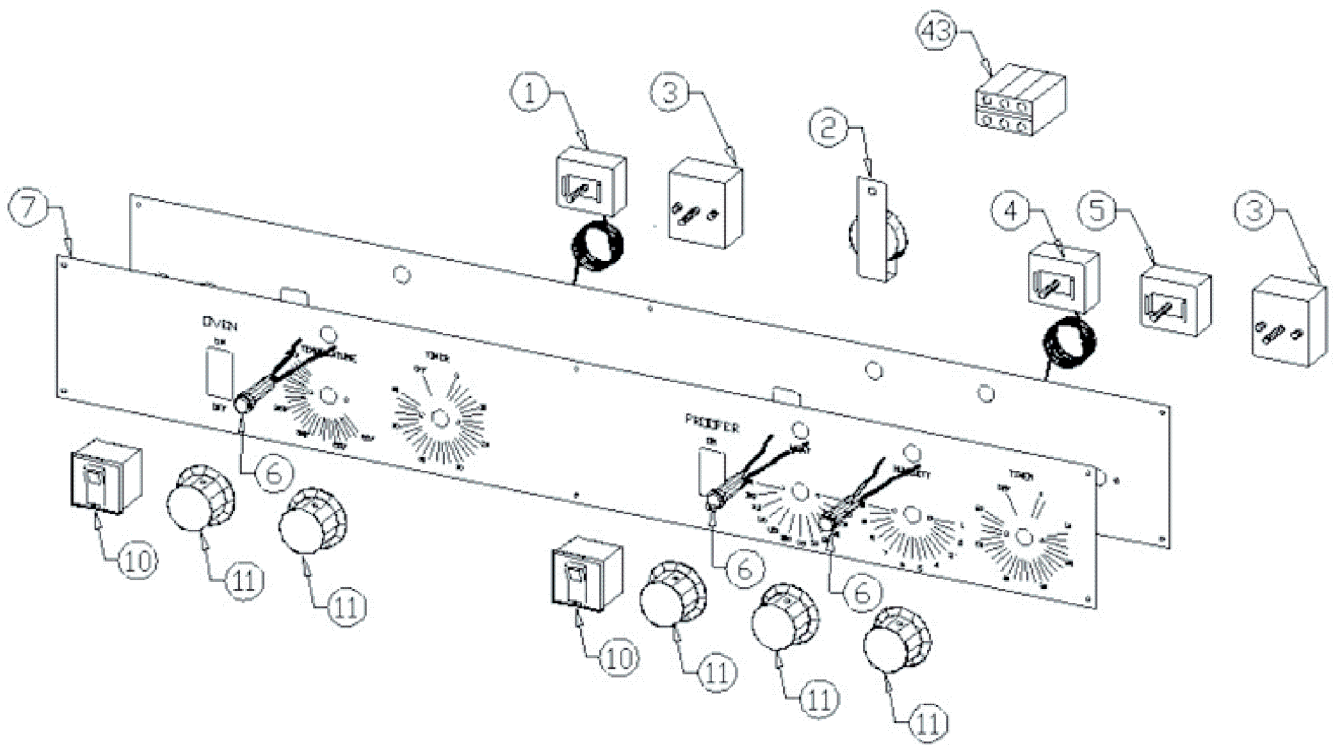


Figure: PL-1 Control Panel

## MAIN CABINET COMPONENTS

| ITEM | QTY. | PART NUMBER | DESCRIPTION                                    |
|------|------|-------------|------------------------------------------------|
| 12   |      | 154470      | Motor Oven – 230V                              |
| 13   |      | 154039      | Blower Wheel, Oven                             |
| 14   |      | 512855      | Thermostat, high limit w/leads                 |
| 14   |      | 502177      | Thermostat, high limit                         |
| 15   |      | 512888      | Mylar, Subway                                  |
| 16   |      | 512843      | Compression spring, door switch assembly       |
| 17   |      | 512821      | Plunger rod, door switch                       |
| 18   |      | 154373      | Element, Oven 208V 2500W                       |
| 18   |      | 154375      | Element, Oven 240V 2500W                       |
| 19   |      | 154547      | Wire rack                                      |
| 20   |      | 156040      | Lens, Glass Light                              |
| 21   |      | 156041      | Gasket, lens                                   |
| 22   |      | 156029      | Bulb, light, 120V, 40 Watt                     |
| 22   |      | 502341      | Bulb, light, 230V, 40 Watt                     |
| 23   |      | 154434      | Holder, lamp                                   |
| 23   |      | 502342      | Fixture, Light Assembly, 230V                  |
| 24   |      | 512955      | Cooling fan                                    |
| 25   |      | 512956      | Fan guard                                      |
| 26   |      | 512895      | Element, 250 watt, 208V, proofer               |
| 26   |      | 512849      | Element, 250 watt, 240V, proofer               |
| 27   |      | 600102      | Kit, Element, 450 watt, 208V, humidity proofer |
| 27   |      | 600103      | Kit, Element, 450 watt, 240V, humidity proofer |
| 28   |      | 512872      | Motor, proofer – 208/240 volt                  |
| 29   |      | 154019      | Blower, forward curve, proofer                 |
| 30   |      | 512836      | Castor, swivel                                 |
| 31   |      | 512835      | Castor, locking w/brake                        |
| 32   |      | 512935      | Drip pan                                       |
| 33   |      | 155977      | Housing, drip edge – left hinged door          |
| 33   |      | 155979      | Housing, drip edge – right hinged door         |
| 34   |      | 155981      | Gutter, drip edge                              |
| 35   |      | 155976      | Channel, drip edge – left hinged door          |
| 35   |      | 155978      | Channel, drip edge – right hinged door         |
| 36   |      | 512817      | Hinge, door                                    |
| 37   |      | 512905      | Handle & latch assembly                        |
| 38   |      | 512909      | Proofer door assembly                          |
| 39   |      | 512910      | Oven door assembly                             |
| 40   |      | 512914      | Gasket, proofer door                           |
| 41   |      | 512913      | Gasket, oven door                              |
| 42   |      | 502180      | Cover, Motor                                   |
| 43   |      | 512840      | Terminal Block, 3 Pole                         |
| 43   |      | 512941      | Terminal Block, 4 Pole                         |
| 44*  |      | 502195      | Cover Access                                   |
| 45   |      | 512833      | Contact, 30 A                                  |
| 46   |      | 502744      | Guard, Oven Light                              |
| 47   |      | 502745      | Guard, Proofer Light                           |
| 48   |      | 502338      | Fan, Motor                                     |

\*Not shown

**Table: PL-2 Main Cabinet Components**

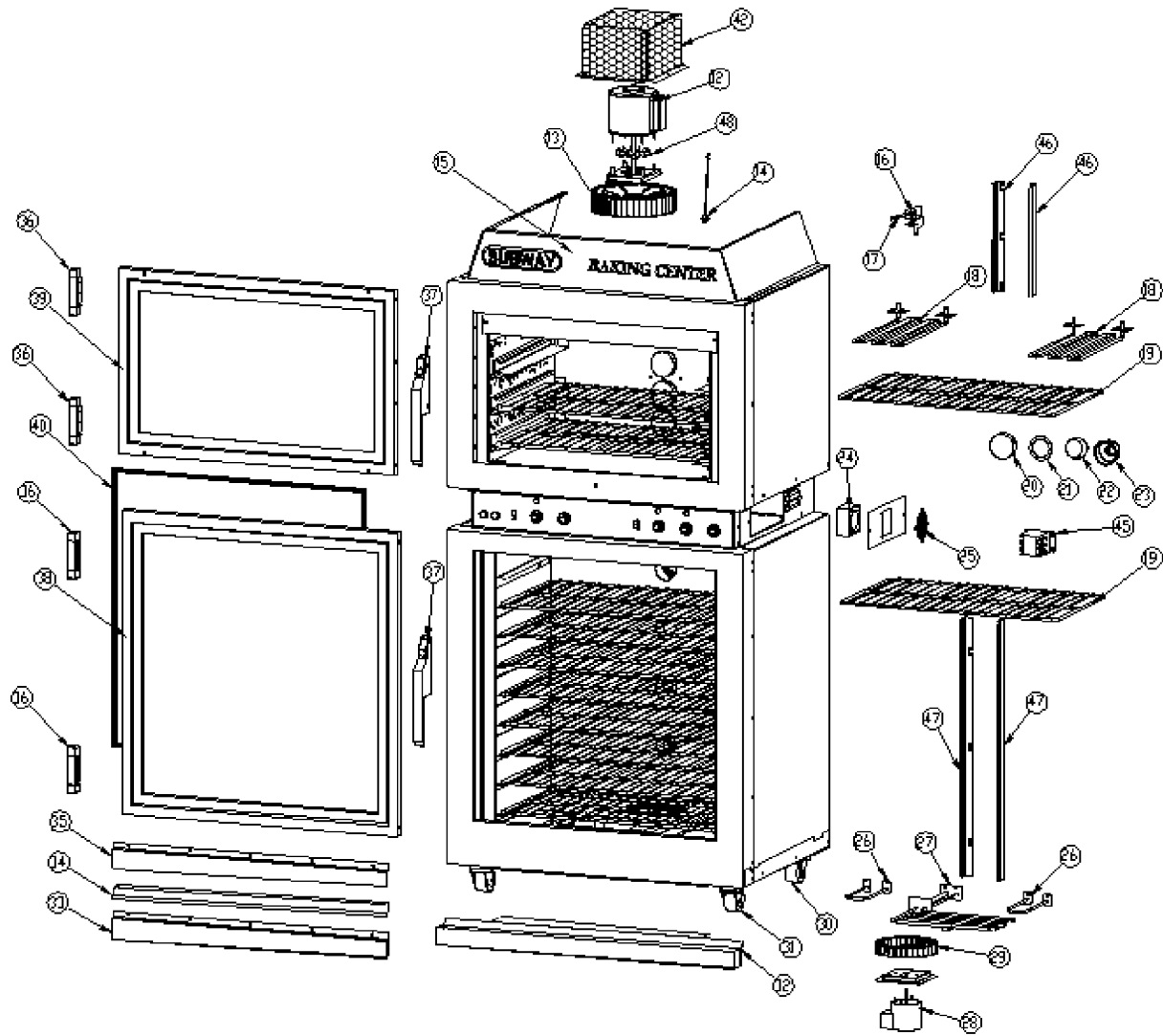


Figure: PL-2 Main Cabinet Components



## **Duke Manufacturing Company**

2305 N. Broadway  
St. Louis, MO 63102  
Phone: 314-231-1130  
Toll Free: 1-800-735-3853  
Fax: 314-231-5074  
[www.dukemfg.com](http://www.dukemfg.com)