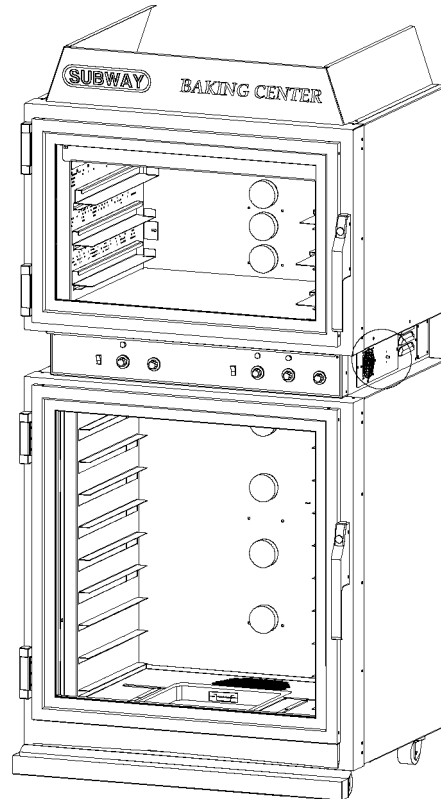




Illustrated Parts List

MODEL: AHPO-6/18 GOLD CE



Proofer Oven

*This manual is Copyright © 2005 Duke Manufacturing Company. All rights reserved.
Reproduction without written permission is prohibited. Duke is a registered
trademark of the Duke Manufacturing Company.*

Duke Manufacturing Company

2305 N. Broadway
St. Louis, MO 63102
Phone: 314-231-1130
Toll Free: 1-800-735-3853
Fax: 314-231-5074
www.dukemfg.com



TABLE OF CONTENTS

CONTROL PANEL.....	4
Table: PL-1 Control Panel.....	4
Figure: PL-1 Control Panel.....	5
MAIN CABINET COMPONENTS	6
Table: PL-2 Main Cabinet Components.....	6
Figure: PL-2 Main Cabinet Components	7

CONTROL PANEL

ITEM	QTY.	PART NUMBER	DESCRIPTION
1		512852	Thermostat, Oven
2		502800	Buzzer
3		512972	Timer, 60 minute, 50 Hz
4		512850	Thermostat, proofer
5		512949	Thermostat, humidity
6		512068	Light, indicator
7		502190	Mylar, control panel
10		502805	Switch, power
11		153142	Knob

Table: PL-1 Control Panel

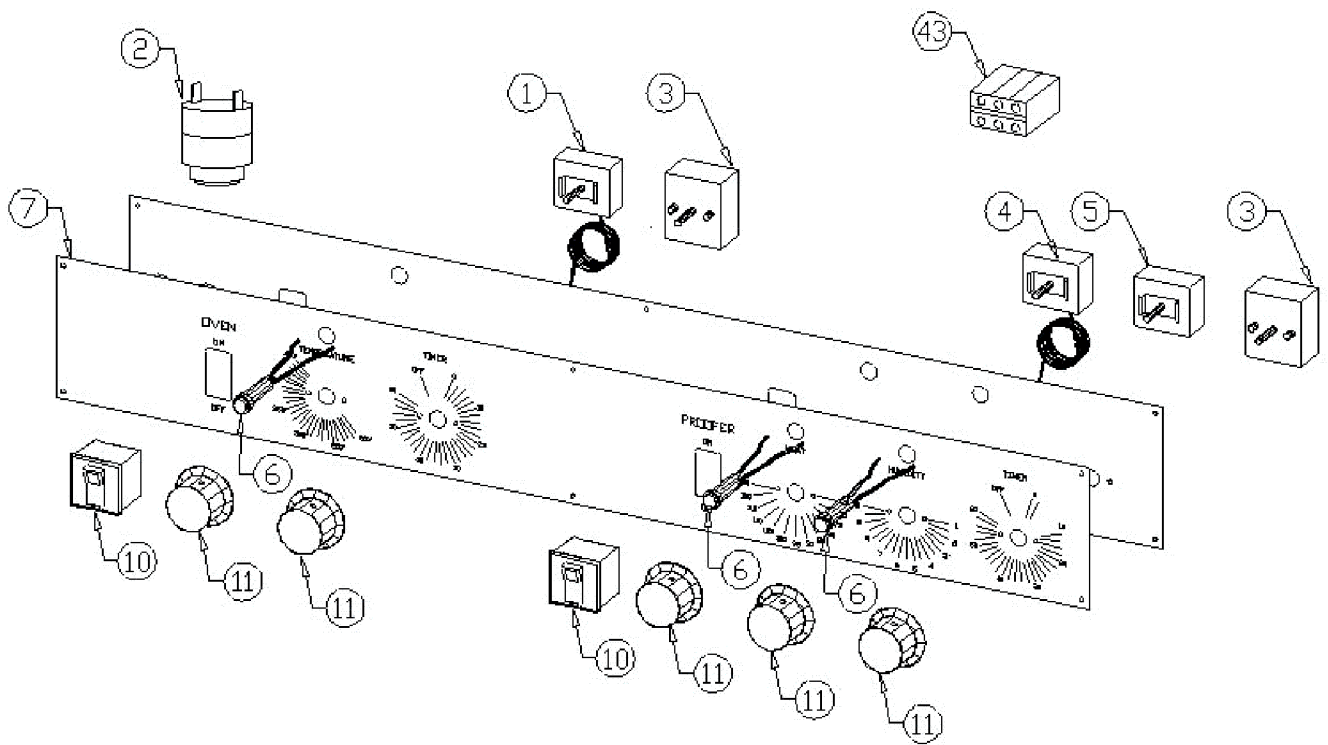


Figure: PL-1 Control Panel

MAIN CABINET COMPONENTS

ITEM	QTY.	PART NUMBER	DESCRIPTION
12		154470	Motor Oven – 230V
13		154039	Blower Wheel, Oven
14		502177	Thermostat, high limit
15		512888	Mylar, Subway
16		512843	Compression spring, door switch assembly
17		512821	Plunger rod, door switch
18		154375	Element, 2.5KW, oven
19		154547	Wire rack
21		156041	Gasket, lens
22		502341	Bulb, light, 230V, 40 Watt
23		502342	Fixture, Light Assembly, 230V
24		512955	Cooling fan
25		512956	Fan guard
26		512849	Element, 250 watt, proofer
27		600103	Element, 450 watt, humidity proofer, (1 Kit)
28		512872	Motor, proofer – 208/240 volt
29		154019	Blower, forward curve, proofer
30		512836	Castor, swivel
31		512835	Castor, locking w/brake
32		512935	Drip pan
33		155977	Housing, drip edge - left hinged door
33		155979	Housing, drip edge - right hinged door
34		155981	Gutter, drip edge
35		155976	Channel, drip edge - left hinged door
35		155978	Channel, drip edge - right hinged door
36		512817	Hinge, door
37		512905	Handle & latch assembly
38		512909	Proofer door assembly
39		512910	Oven door assembly
40		512914	Gasket, proofer door
41		512913	Gasket, oven door
42		502180	Cover, Motor
43		512840	Terminal Block, 3 Pole (230 V single phase)
43		512941	Terminal Block, 4 Pole (230/400 V 3 phase)
44		502195	Cover Access
45		156350	Capacitor, RFI Filter
46		512833	Contact, 30 A
47		502745	Guard, Oven Light
48		502475	Guard, Proofer Light
49		502338	Fan, Motor

Table: PL-2 Main Cabinet Components

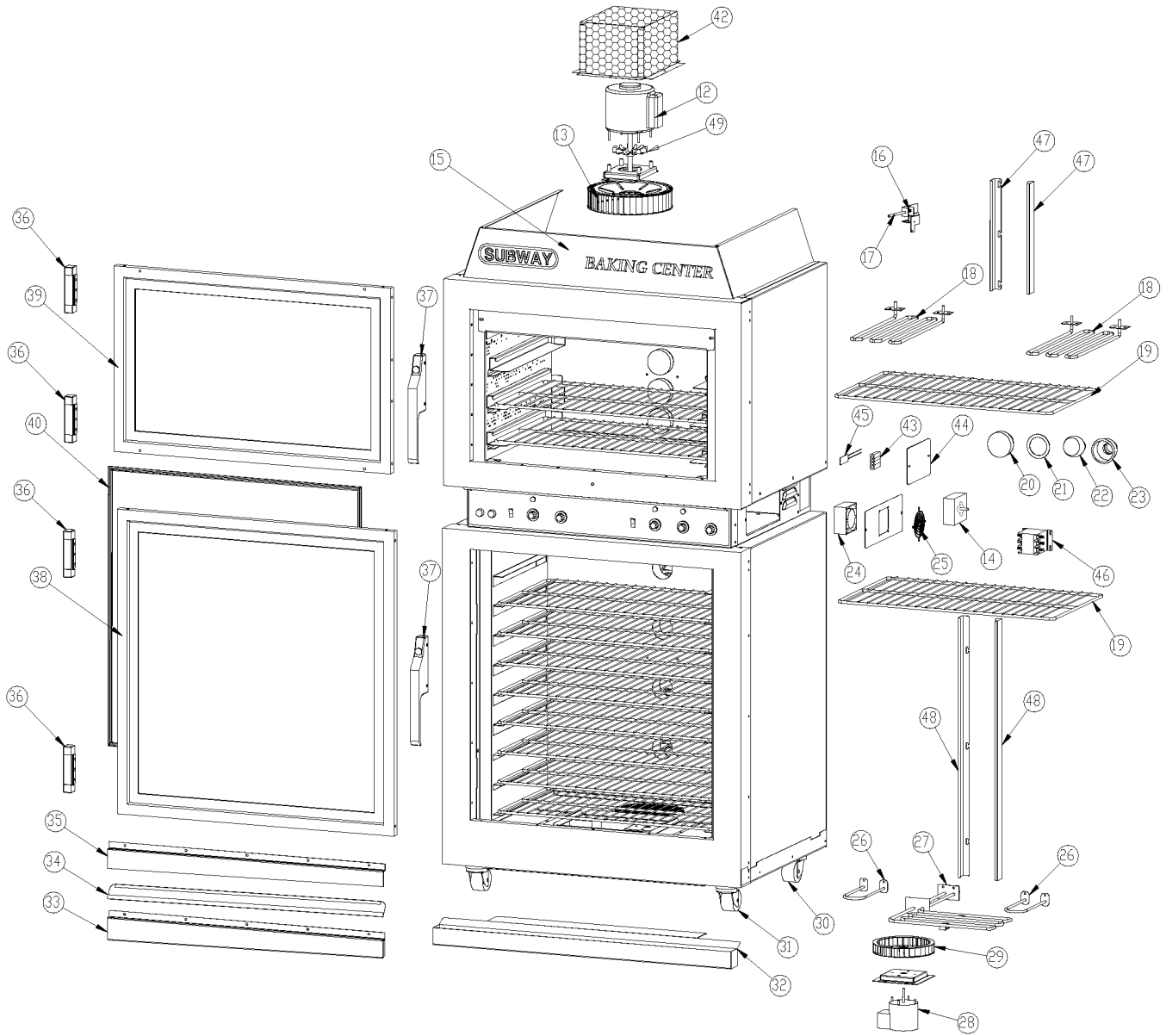


Figure: PL-2 Main Cabinet Components



Duke Manufacturing Company

2305 N. Broadway
St. Louis, MO 63102
Phone: 314-231-1130
Toll Free: 1-800-735-3853
Fax: 314-231-5074
www.dukemfg.com