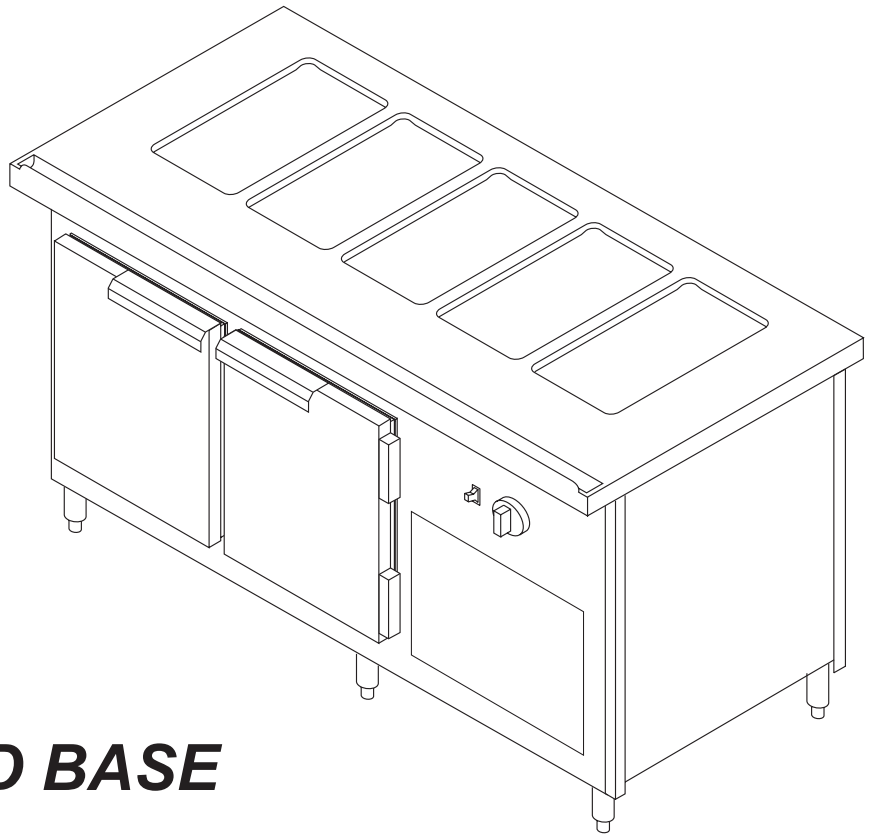




## **Illustrated Parts List**



## **REFRIGERATED BASE**

**MODEL**  
**RB 72**

---

*This manual is Copyright © 2005 Duke Manufacturing Company. All rights reserved.  
Reproduction without written permission is prohibited. Duke is a registered  
trademark of the Duke Manufacturing Company.*

## **Duke Manufacturing Company**

**2305 N. Broadway  
St. Louis, MO 63102  
Phone: 314-231-1130  
Toll Free: 1-800-735-3853  
Fax: 314-231-5074  
[www.dukemfg.com](http://www.dukemfg.com)**



## TABLE OF CONTENTS

MAIN CABINET .....	4
Table: PL-1 Main Cabinet .....	4
Figure: PL-1 Main Cabinet.....	5
DOOR ASSEMBLY .....	6
Table: PL-2 Door Assembly .....	6
Figure: PL-2 Door Assembly.....	7
EVAPORATOR UNIT .....	8
Table: PL-1 Evaporator Unit .....	8
Figure: PL-1 Evaporator Unit.....	9

## MAIN CABINET

ITEM	QTY.	PART NUMBER	DESCRIPTION
1	1		Door, Left
2	1		Door, Right
3	4	214570	Hinge, Base
4	1	250535	Rack, Left
4	1	250536	Rack, Right
5	1		Refrigeration System
6	1	212190	Knob, Electric
7	1	212113	Switch, Master Toggle, 1PH
8	1	215550	Pilot Light, 120V/60Hz
8	1	215550	Pilot Light, 220V/50Hz
9	6	214556	Leg, Assembly
10	5	2174009042	Pan
11	1	216682	Thermostat, Electric
12	1	212402	Element, 118V/500W
12	1	212405	Element, 236V/750W

**Table: PL-1 Main Cabinet**

## MAIN CABINET

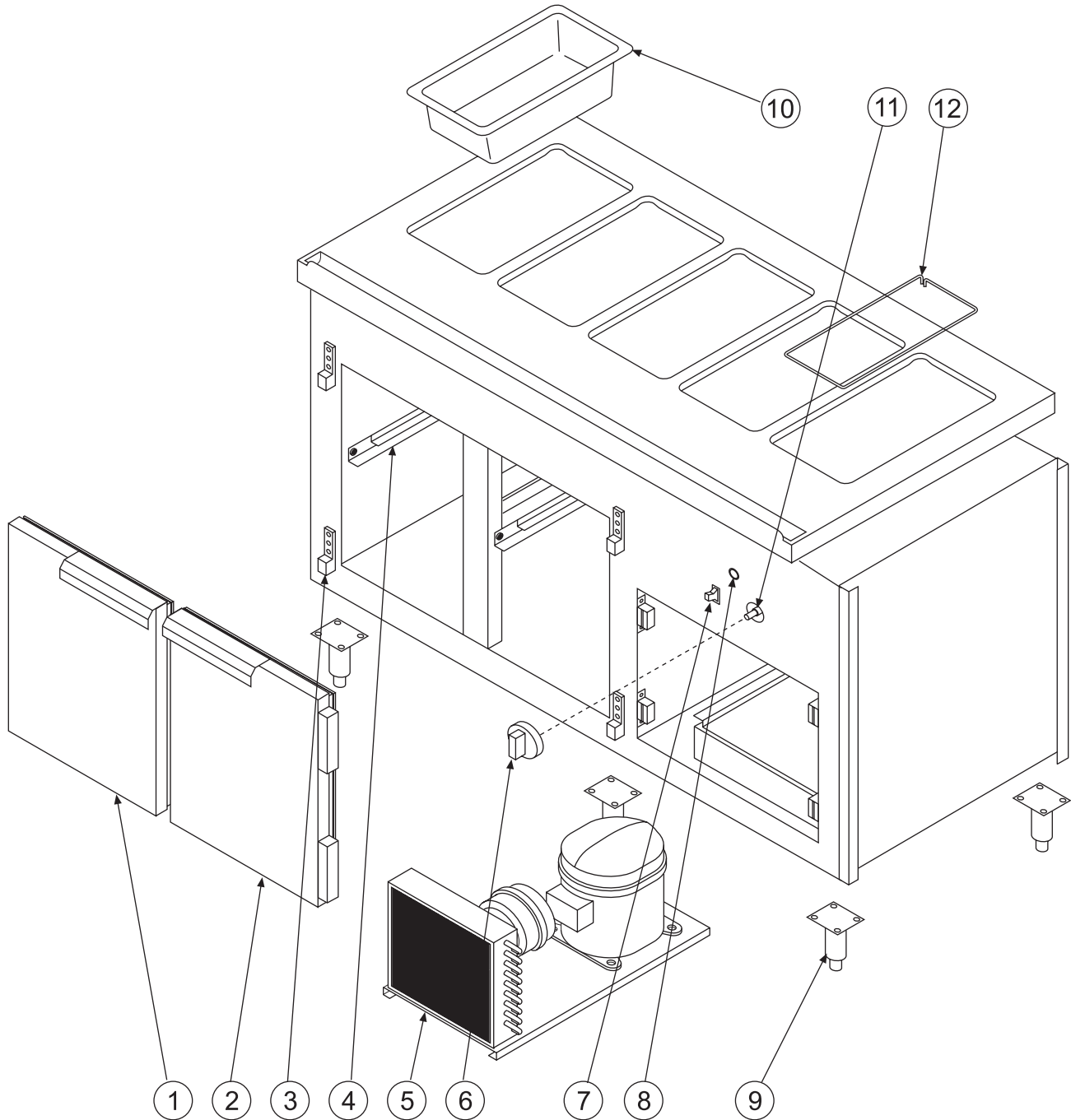


Figure: PL-1 Main Cabinet

## DOOR ASSEMBLY

ITEM	QTY.	PART NUMBER	DESCRIPTION
1	4		Screw
2	2	250538	Handle, Door
3	1		Door, Left
3	1		Door, Right
4	1	216084	Insulation
5	2	214568	Hinge, Door
6	2	216571	Sealing Gasket, Door
7	2	250529	Plate, Door
8	28		Screw
9	1	2321061152	Clip, Element

**Table: PL-2 Door Assembly**

## DOOR ASSEMBLY

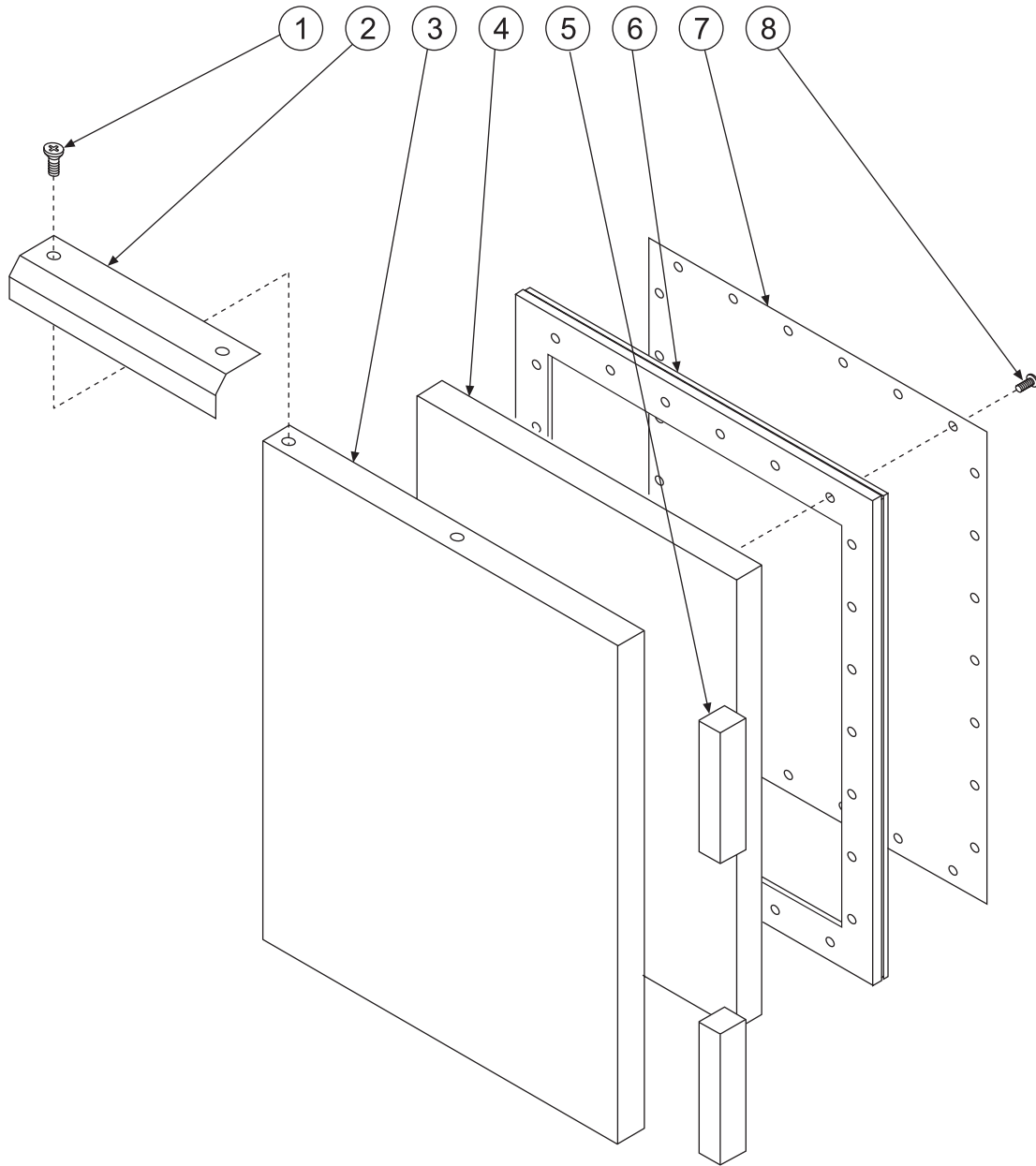


Figure: PL-2 Door Assembly

## EVAPORATOR UNIT

ITEM	QTY.	PART NUMBER	DESCRIPTION
1	1	216608	Fan, Evaporator Assembly, 120V/60Hz
2	1	216772	Knob, Thermostat
3	1	212081	Thermostat

**Table: PL-3 Evaporator Unit**



## EVAPORATOR UNIT

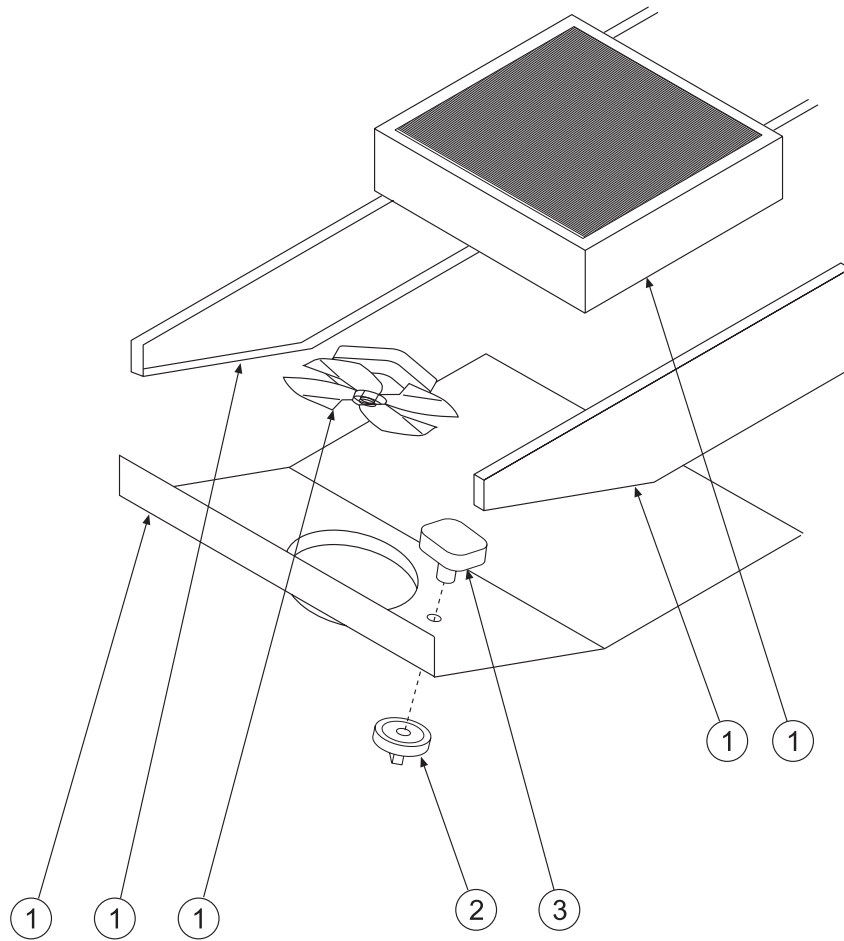


Figure: PL-3 Evaporator Unit



## NOTES

## NOTES



## **Duke Manufacturing Company**

**2305 N. Broadway  
St. Louis, MO 63102  
Phone: 314-231-1130  
Toll Free: 1-800-735-3853  
Fax: 314-231-5074  
[www.dukemfg.com](http://www.dukemfg.com)**