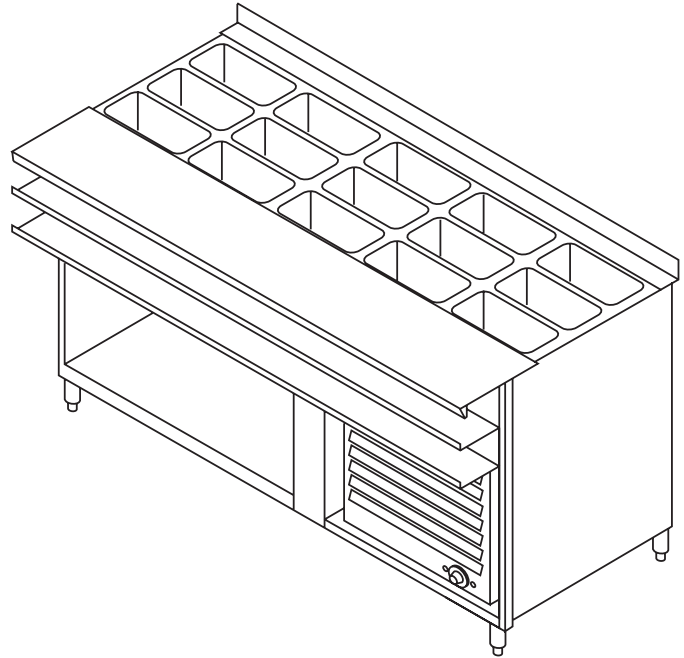




Illustrated Parts List



TRI-CHANNEL COLD PAN

MODEL
SUB-CP-TC

*This manual is Copyright © 2005 Duke Manufacturing Company. All rights reserved.
Reproduction without written permission is prohibited. Duke is a registered
trademark of the Duke Manufacturing Company.*

Duke Manufacturing Company

**2305 N. Broadway
St. Louis, MO 63102
Phone: 314-231-1130
Toll Free: 1-800-735-3853
Fax: 314-231-5074
www.dukemfg.com**



TABLE OF CONTENTS

MAIN CABINET	4
Table: PL-1 Main Cabinet	4
Figure: PL-1 Main Cabinet.....	5
TOP UNIT	4
Table: PL-2 Top Unit	4
Figure: PL-2 Top Unit.....	5

MAIN CABINET

ITEM	QTY.	PART NUMBER	DESCRIPTION
1	4	214556	Leg Assembly, Galvanized, 1-5/8" X 6"
2	1	252890	Holder, Front, Knife
3	1	216453	Condensing Unit, 115VAC, 60Hz
4	1	216457	Condensing Unit, 220VAC, 50Hz
5	1	212280	Switch, Lighted, Amber
6	1	253463	Shelf, Supply
7	1	216456	Thermostat
8	1	RS000235	Kickplate, 48"
8	1	RS000236	Kickplate, 60"
8	1	RS000167	Kickplate, 74"
8	1	RS000240	Kickplate, 86"
9	1	251046	Louver
10	2	215332	Carving Board, 48" Unit
10	2	215333	Carving Board, 60" Unit
10	2	215334	Carving Board, 74" Unit
10	2	215335	Carving Board, 86" Unit
11	1	253410	Light Bulb, 120VAC

Table: PL-1 Main Cabinet

MAIN CABINET

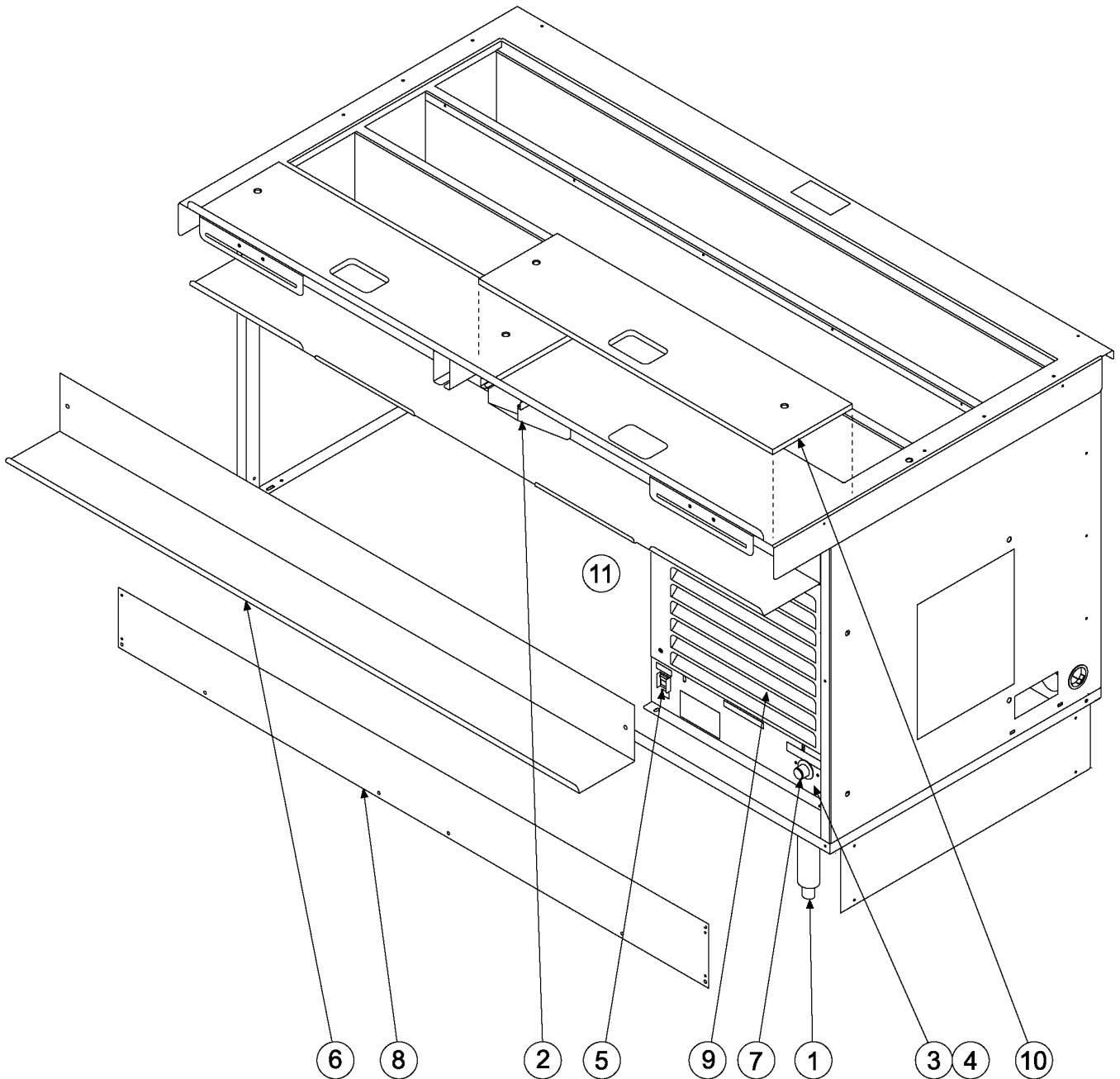


Figure: PL-1 Main Cabinet

TOP UNIT

ITEM	QTY.	PART NUMBER	DESCRIPTION
1	1	253411	Light Fixture
2	1	212066	Switch, Toggle
3	1	651428	Light Bulb, Fluorescent
4	2	XXXXXX	Shock
5	2	XXXXXX	Shock Mounting

Table: PL-2 Top Unit

TOP UNIT

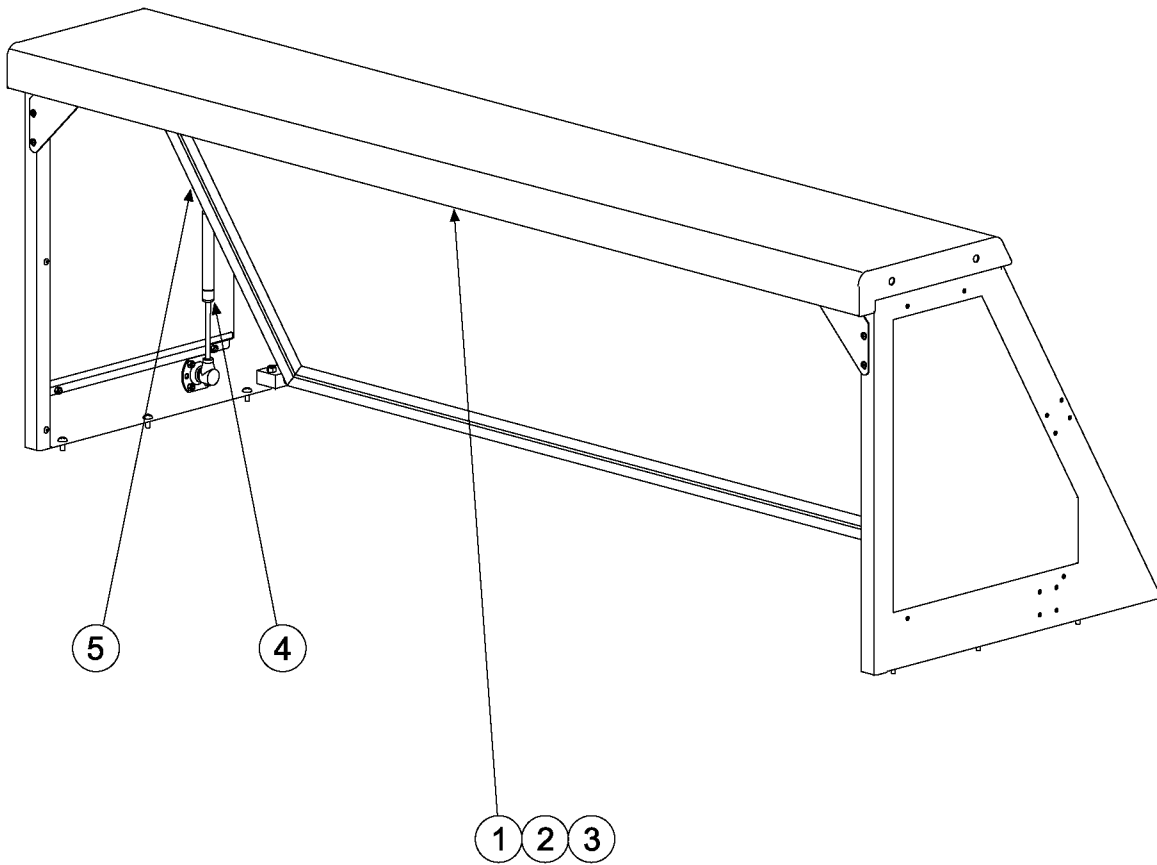


Figure: PL-2 Top Unit



Duke Manufacturing Company

**2305 N. Broadway
St. Louis, MO 63102
Phone: 314-231-1130
Toll Free: 1-800-735-3853
Fax: 314-231-5074
www.dukemfg.com**