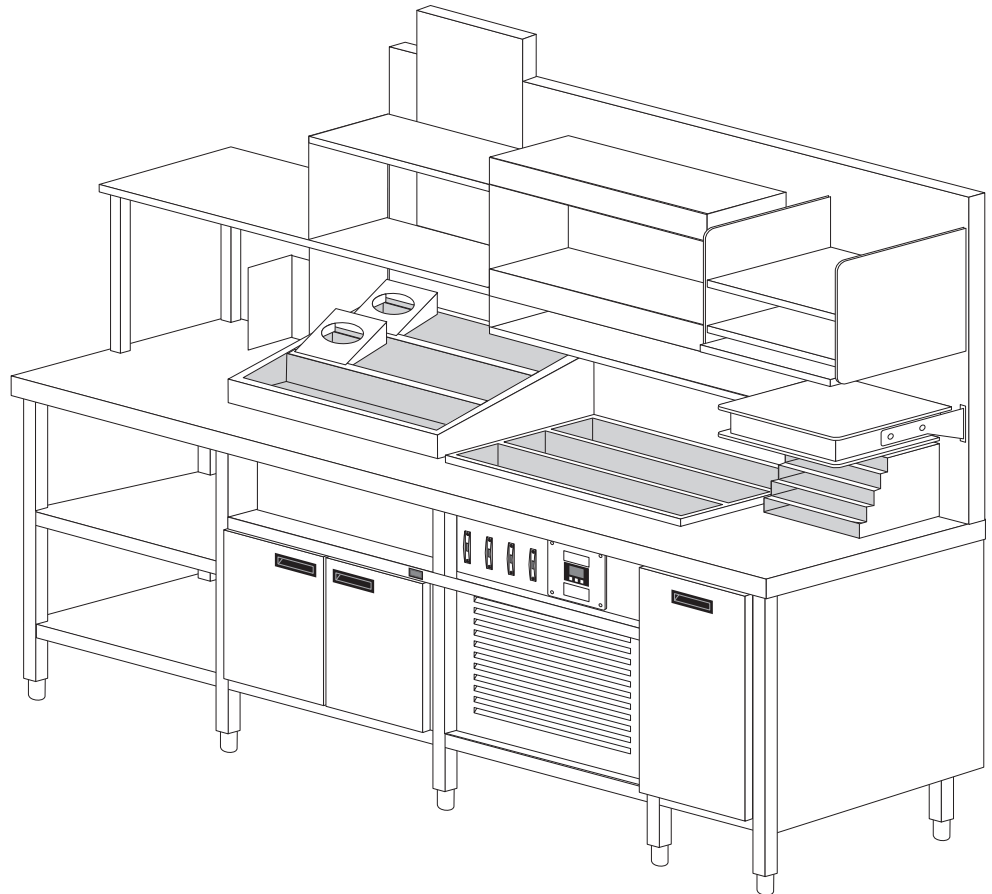




## ***Illustrated Parts List***

### **TACO BELL I-LINE COUNTER**



---

*This manual is Copyright © 2007 Duke Manufacturing Company. All rights reserved.  
Reproduction without written permission is prohibited. Duke is a registered  
trademark of the Duke Manufacturing Company.*

## **Duke Manufacturing Company**

**2305 N. Broadway • St. Louis, MO 63102**

**800.735.3853 • 314.231.1130**

**Fax: 314-231-5074**

**[www.dukemfg.com](http://www.dukemfg.com)**



## TABLE OF CONTENTS

TRI-CHANNEL COLD PAN	
Table: PL-1 Tri-Channel Cold Pan Parts List .....	4
Figure: PL-1 Tri-Channel Cold Pan Exploded View .....	5
REFRIGERATED BASE UNIT .....	6
Table: PL-2 Refrigerated Base Unit Parts List .....	6
Figure: PL-2 Refrigerated Base Unit Exploded View .....	7
DRY CHANNEL WARMER .....	8
Table: PL-3 Dry Channel Warmer Parts List .....	8
Figure: PL-3 Dry Channel Warmer Exploded View .....	9

### TRI-CHANNEL COLD PAN PARTS LIST

ITEM #	QTY.	PART NUMBER	DESCRIPTION
1	1	216380	Condensing Unit, 120VAC, 60Hz, 1/3 HP
2	1	212792	Switch, Toggle, Red, 30 amp
3	1	212450	Tri-Channel Control, Temperature
4	1	216600	Capillary Tube, .093" OD x .0412" ID (10')
5	1	217811	Motor, Electric Fan, 120VAC
6	1	217810	Fan Bracket
7	1	217812	Fan Blade
Not shown	1	212288	Switch, Tri-Channel Main Power
Not shown	1	216386	Valve, Auto Exp., I-Line TB
Not shown	1	214947	Filter, 9.375" x 9.875" x .3125"

**Table: PL-1 Tri-Channel Cold Pan**

### TRI-CHANNEL COLD PAN

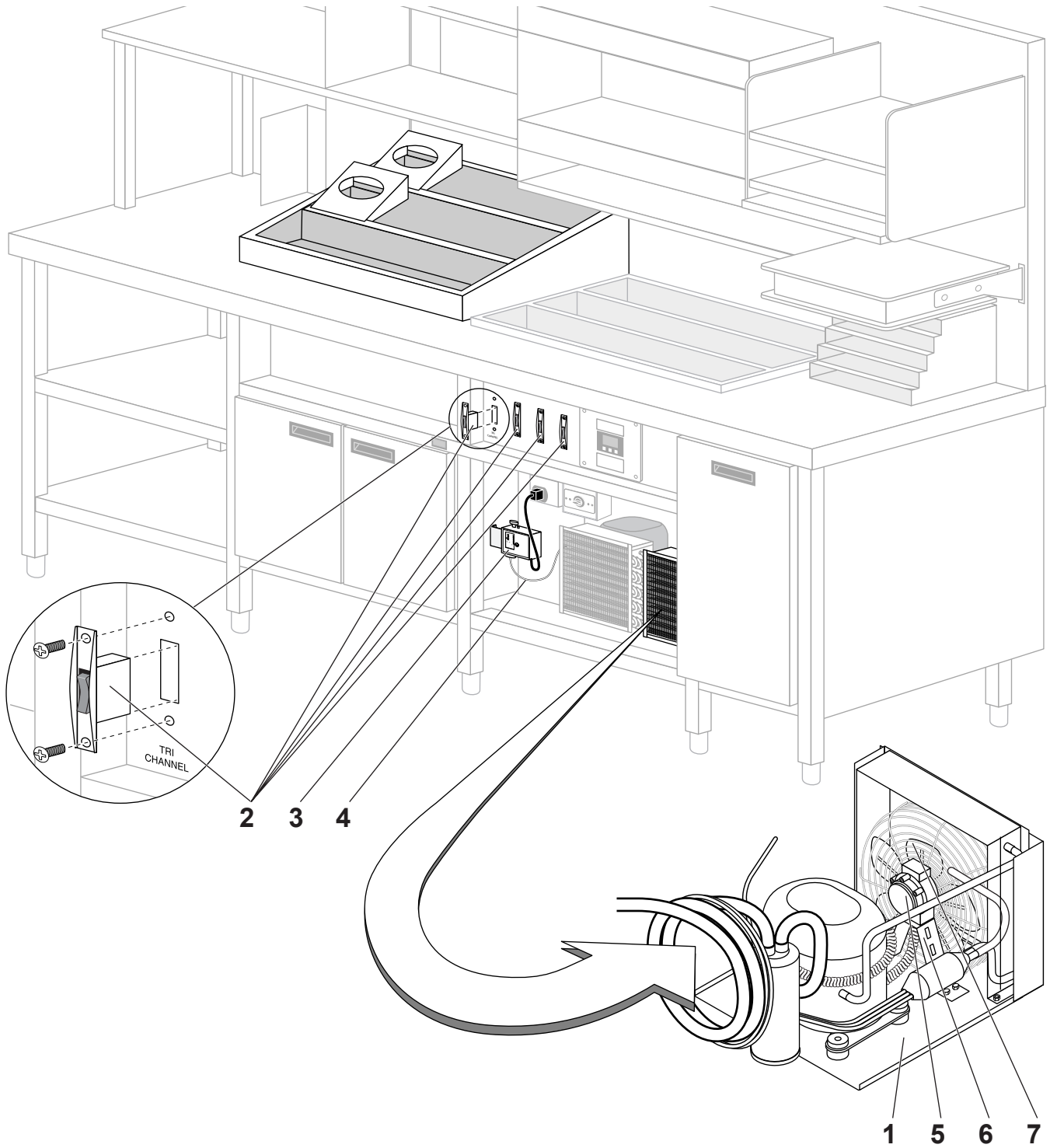


Figure: PL-1 Tri-Channel Cold Pan

## REFRIGERATED BASE UNIT PARTS LIST

ITEM #	QTY.	PART NUMBER	DESCRIPTION
1	1	550327	Door, Insulated, 17" LT Refrigerated Cabinet
2	1	550328	Door, Insulated, 19" RT Refrigerated Cabinet
3	1	216645	Gasket, Door, 17"
4	1	216636	Gasket, Door, 19"
5	4	214570	Hinge, Base
6a	1	250535	Rack, 17"
6b	1	250236	Rack, 19"
7	1	214947	Filter, 9.375" x 9.875" x .3125"
8	1	212451	Refrigerated Base Control, Temperature, #A12-700
9	1	071136	Condensing Unit, 1/5 HP, R-134A, 120V, 60 Hz
10	6	214556	Leg Assy., Galvanized, 1-5/8" x 6"
Not shown	1	216600	Capillary Tube, .042"ID x 10'

**Table: PL-2 Refrigerated Base Unit**

## REFRIGERATED BASE UNIT

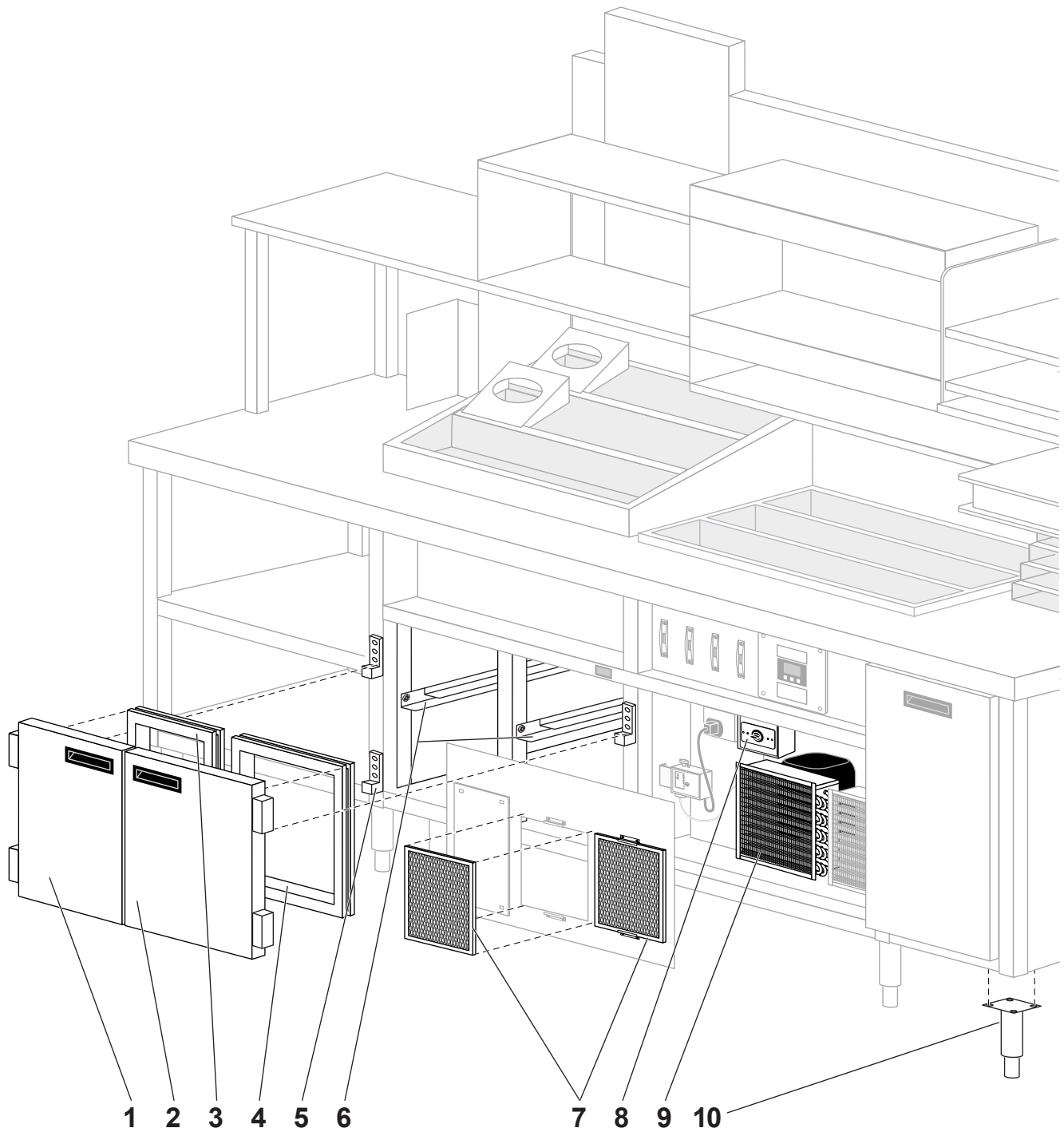


Figure: PL-2 Refrigerated Base Unit

## DRY CHANNEL WARMER PARTS LIST

ITEM #	QTY .	PART NUMBER	DESCRIPTION
1	1	171159	Tub Assembly, Dry Channel HDC3
2	1	171160	Frame Assembly, Channel Top HDC3
3	2	171263SED	Assembly, End Channel HDC3/6, 208/240VAC
4	1	171262SED	Assembly, Center Channel HDC3/6, 208/240VAC
5	1	212792	Switch, Toggle, Red, 30 amp
6	1	218821	Overlay, Control Display, Dry Channel
7	1	218800	Control, Display Board, NCC
8	1	218806	Cable, Power Input
9	1	218807	Cable Assembly, DSUB Connector to Relays
10	1	218808	Cable Assembly, Channel Heaters to Relays
11	1	218829	Transformer, 208/240VAC Pri, 24VAC Sec.
12	6	218828	Relay, Mini N/O, 20A, 280V/24V
13	1	218805	Terminal Block, 2-Pole
14*	1	218823	Switch, 16/20 amp, 120V/250V

\* This switch is mounted behind the I-Line Control Panel and is not visible to the operator. It is set to the ON position at the factory.

**Table: PL-3 Dry Channel Warmer**



### DRY CHANNEL WARMER PARTS LIST

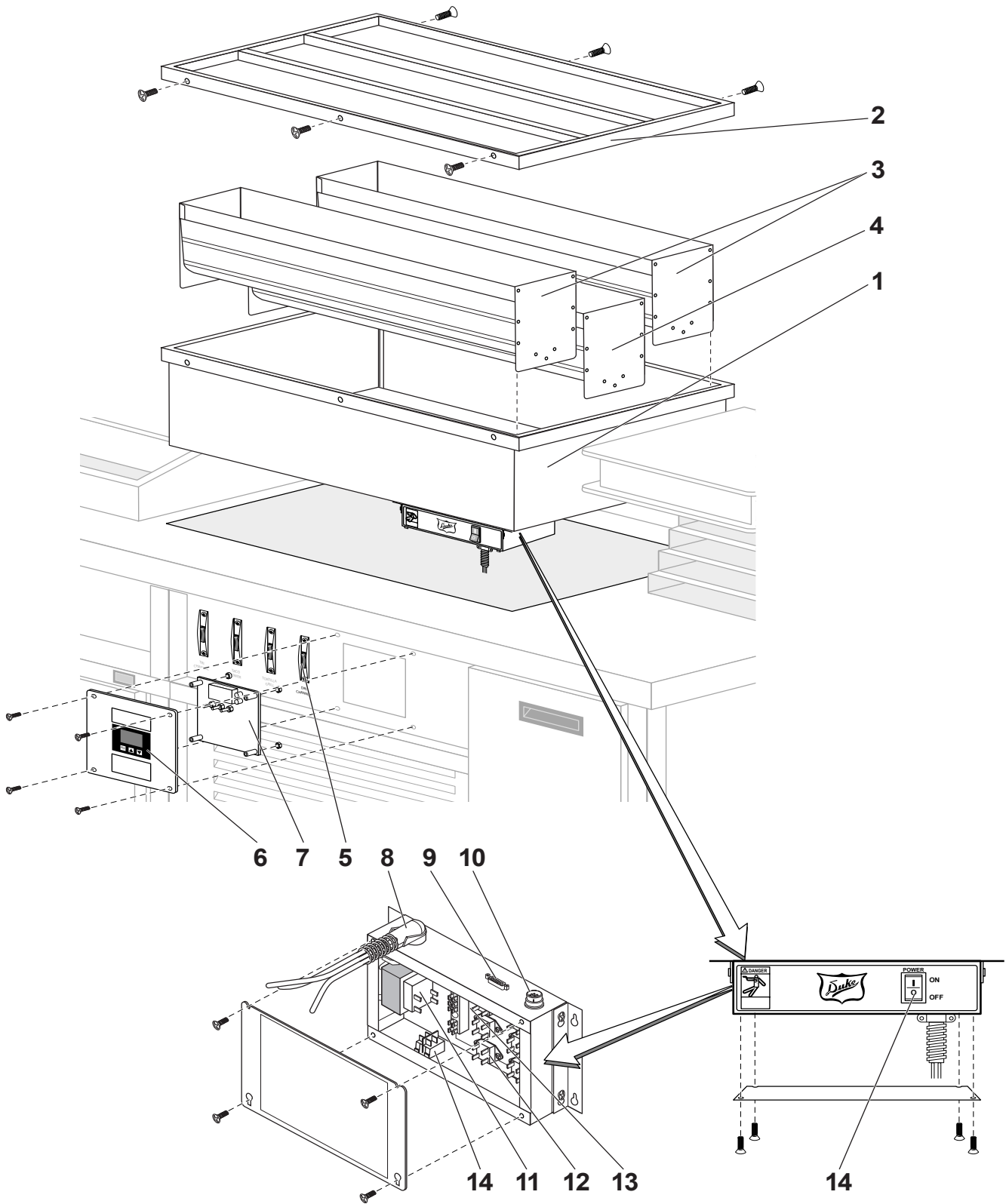


Figure: PL-3 Dry Channel Warmer

## NOTES

## NOTES



## **Duke Manufacturing Company**

**2305 N. Broadway • St. Louis, MO 63102**

**800.735.3853 • 314.231.1130**

**Fax: 314-231-5074**

**[www.dukemfg.com](http://www.dukemfg.com)**