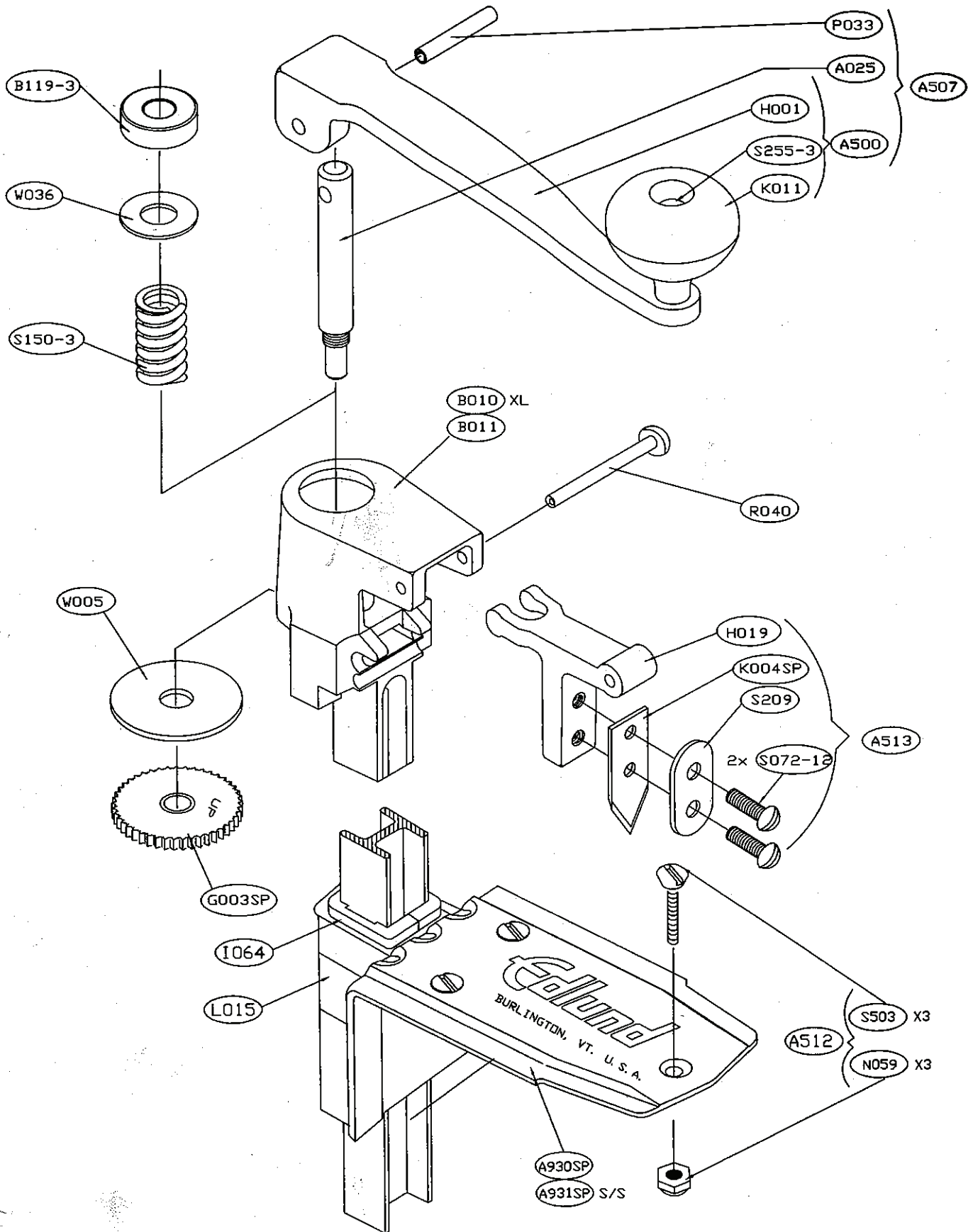


#1 CAN OPENER



#1 CAN OPENER

PART #	LIST PRICE	U/M	DESCRIPTION
A025	7.00	EA.	ARBOR, #1
A500	16.50	EA.	ASSEMBLY, #1 HANDLE & KNOB
A503SP	45.00	EA.	ASSEMBLY, #1 CAST IRON BASE
A507	24.50	EA.	ASSEMBLY, #1 HANDLE/ARBOR
A512	2.00	EA.	BASE HARDWARE PKG., #1/#2/#8/#G-2/#U-12 (3-S503&3-N059)
A513	11.50	EA.	ASSEMBLY, #1 KNIFEHOLDER
A5191	23.50	EA.	ASSEMBLY, #1/#2 SPRING RELEASE CLAMP
A930SP	17.00	EA.	ASSEMBLY, #1 CRS (MILD STEEL) BASE W/INSERTS
A931SP	32.00	EA.	ASSEMBLY, #1 STAINLESS STEEL BASE W/INSERTS
B010	68.00	EA.	BAR, #1 SLIDE XL (CASTING ONLY)
B011	45.50	EA.	BAR, #1 SLIDE (CASTING ONLY)
B119-3	12.00	PKG.	BUSHING, #1, 3 PACK
G003M	269.00	BOX	GEAR, #1 24 PKG.
G003SP	12.25	PKG.	GEAR, #1 SINGLE PACK
H001	14.00	EA.	HANDLE, #1 C.O.
H019	6.75	EA.	HOLDER, #1 KNIFE
I064	4.00	PAIR	INSERTS, #1 UNIVERSAL BASE (1 PAIR)
K004M	86.00	BOX	KNIFE, #1 24 PKG.
K004SP	3.85	PKG.	KNIFE, #1 SINGLE PACK
K011	2.00	EA.	KNOB, BLACK #1/#2/#8
P033	.50	EA.	PIN, ROLL, 7/32 X 1-3/8 PLATED
R040	.60	EA.	RIVET, #1/#8 KNIFEHOLDER, .247X1-5/8
S072-12	6.00	PKG.	SCREW, #1/#2, 12-24 X 7/16 RHM, 12 PACK
S150-3	4.50	EA.	SPRING, #1, 3 PACK
S255-3	3.00	PKG.	STUD, #1/#2/#8/U-12/G-2 KNOB, 3 PACK
S209	1.00	EA.	SUPPORT, KNIFE
W005	1.00	EA.	WASHER, #1 GEAR
W036	.50	EA.	WASHER, #1 SPRING