

## Smart Control Heavy Duty Range -2 +10,-15 -24 C°

*1400 LT Refrigerated and freezer double full door  
Armadi congelatori i refrigerati da 1400 LT con porta intera*

Code	Avv.	Model	Description	Ref	Page	Brand
110705	16	ADN220E	FV 2M TN PC ZAN.304 ELETTR.	A	2, 3, 6	Zanussi
726547	15	C14RE2F	FV 2M TN PC ELUX.304 ELETTR.	B	2, 3, 6	Electrolux
728485	19	E14N0E2C	FV 2M TN PC ALPEN 304 ELETTR.	C	2, 3, 6	Alpeninox
110706	14	ADF220E	FV 2M BT PC ZAN.304 ELETTR.	D	2, 4, 6	Zanussi
726548	13	C14FE2F	FV 2M BT PC ELUX.304 ELETTR.	E	2, 4, 6	Electrolux
728486	20	E14C0E2C	FV 2M BT PC ALPEN 304 ELETTR.	F	2, 4, 6	Alpeninox
726371	05	RH14RE2FUS	FV 2M TN PC ELUX.304 ELETTR. .120/60/USA	G	2, 3, 6	Electrolux
726372	05	RH14FE2FUS	FV 2M BT PC ELUX.304 ELETTR. .120/60/USA	H	2, 4, 6	Electrolux
726493	11	RH14RE2FS	2-DOOR REFR.1400L -2+10°-ECA-SMART	I	2, 3, 6	Electrolux
110093	10	ADN220ES	2-DOOR DIG.REF.1400L -2+10°-ECA-ACTIVE	L	2, 3, 6	Electrolux
726598	10	RH14RE2FEU	2DOOR REF.1400L-2+10°SMART-E.SAVING-US	M	2, 3, 6	Electrolux
726599	10	RH14FE2FEU	2-DR FREEZER 1400L -24-15°SMART-E.SAV-US	N	2, 4, 6	Electrolux
726679	10	RH14RE4HU	4 ½-DOOR REFRIGER. 1400L -2+10° SMART-US	O	2, 3, 6	Electrolux
726680	10	RH14FE4HU	4 ½-DOOR FREEZER 1400LT -24-15° SMART-US	P	2, 3, 6	Electrolux
728503	07	E14N0E2CE	2-DOOR DIG.REFR.(ECA)1400L -2+10°C A304	T	2, 3, 6	Alpeninox
728508	06	E14F0E2CE	2-DR DIG.FREEZER(ECA)1400L -15-24° A304	Q	2, 4, 6	Alpeninox
726495	10	RH14FE2FS	2-DOOR FREEZER 1400L -24-15°-ECA-SMART	R	2, 4, 6	Electrolux
110095	08	ADF220ES	2DOOR DIG.FREEZ.1400L -24-15°-ECA-ACTIVE	S	2, 4, 6	Zanussi
727013	03	RH14R2FERU	2-DOOR REFR.1400L -2+10° SMART-REMOTE-US	U	2, 5, 6	Electrolux
727014	03	RH14F2FERU	2-DOOR FREEZ.1400L -24-15° SMART-REMOTE-US	V	2, 5, 6	Electrolux
727022	03	RH14RE4HRU	4 ½-DOOR REFR. 1400L -2+10° SMART-REM-US	Z	2, 5, 6	Electrolux
727023		RH14FE4HRU	4 ½-DOOR FREEZ.1400T -24-15°SMART-REM-US	X	2, 5, 6	Electrolux

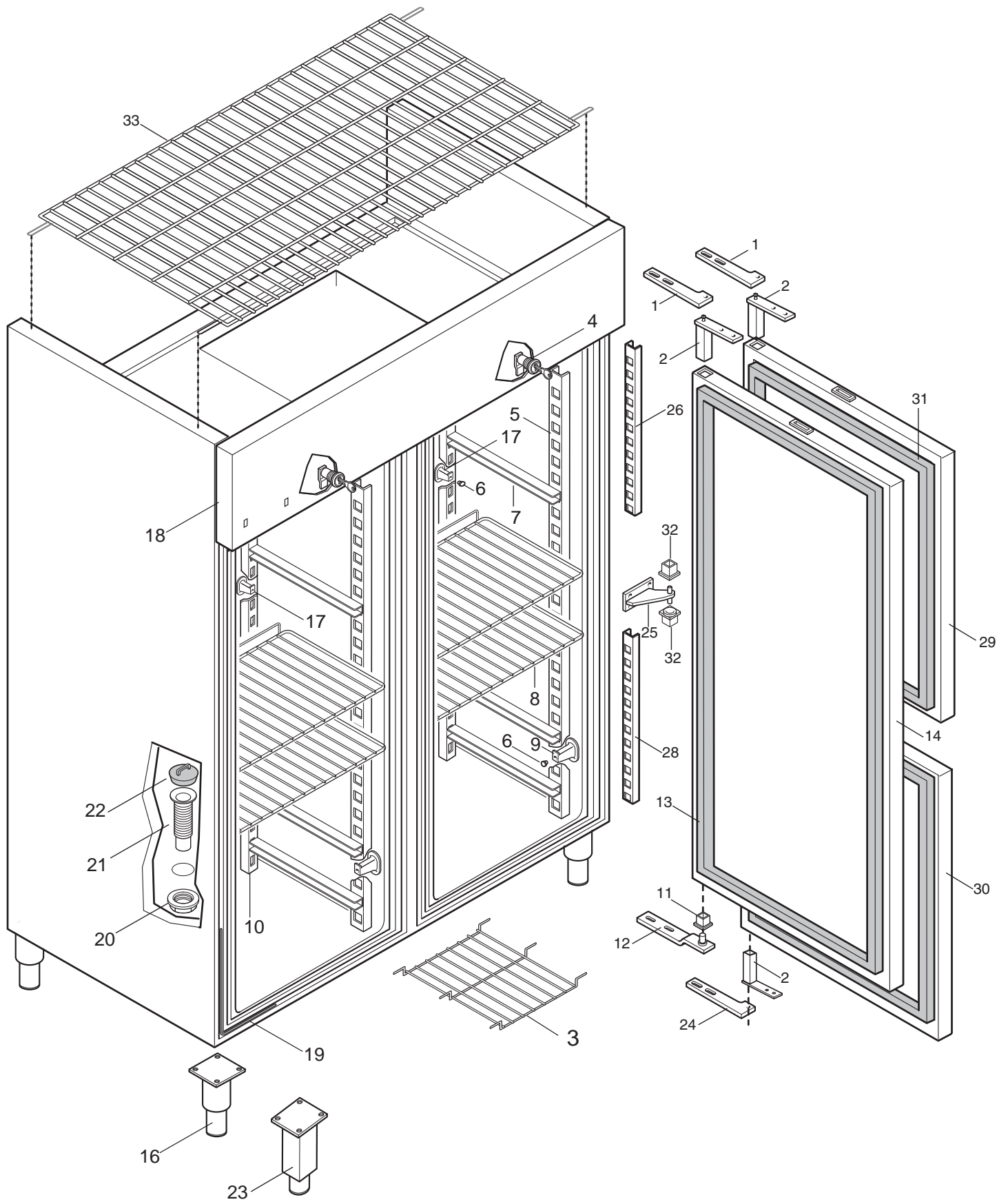
**Note:**

Last update (29/12/2008) with update probes from serial N°84000001

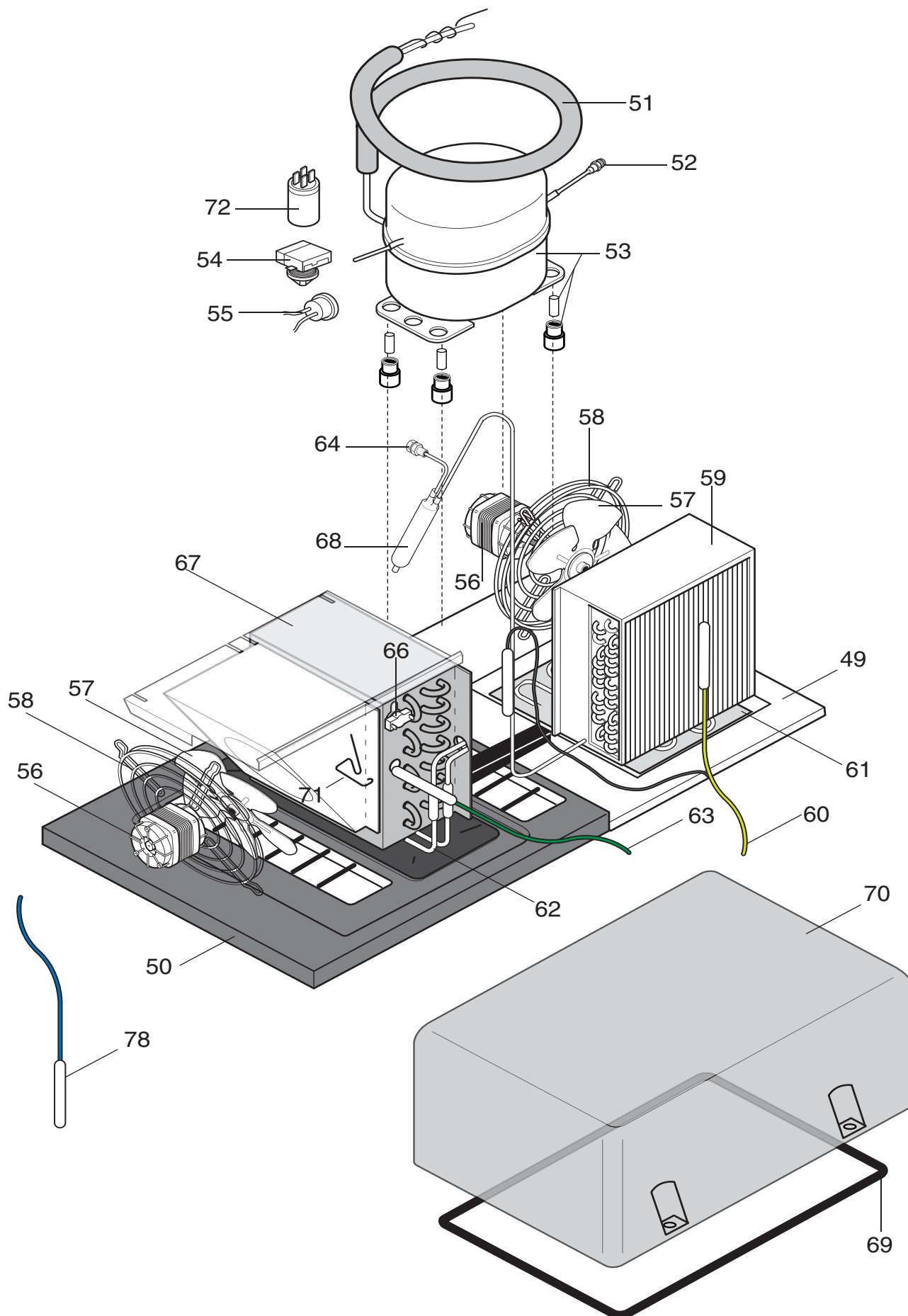
This document is available until to serial N°932000.. to Europe models and from serial N°00200.. from USA models.

Pag.	Index
2	Cabinet and door
3	Cooling unit assembly +2+10C°
4	Cooling unit assembly -15-24C°
5	Remote Cooling unit assembly
6	Control panel
7,8,9	Spare parts list

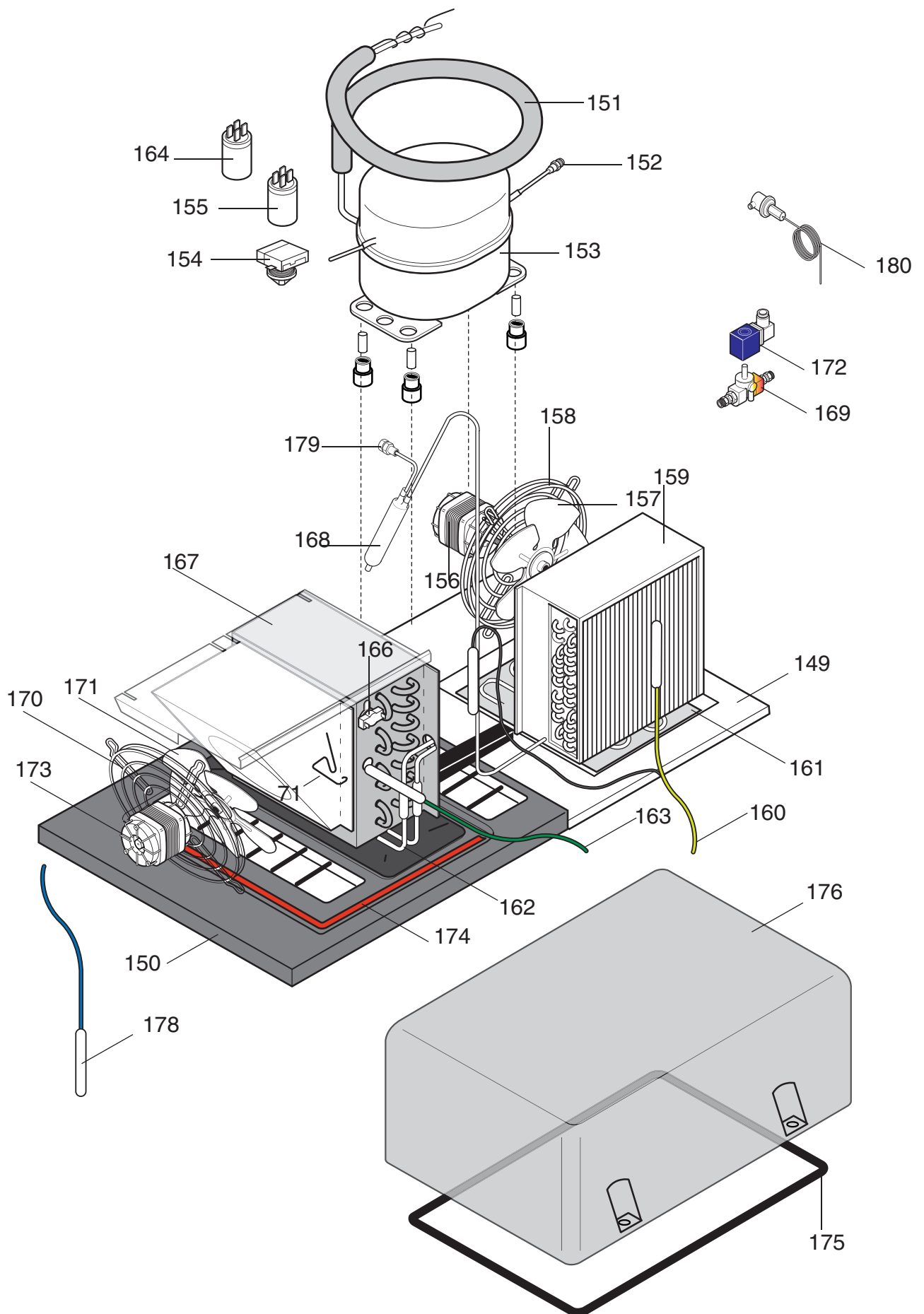
Indice
Armadio e porta
Gruppo refrigerante +2+10C°
Gruppo refrigerante -15-24C°
Gruppo refrigerante remoto
Pannello comandi
Lista ricambi



Cooling unit assembly -2 +10 °C  
Gruppo refrigerante -2 +10 °C

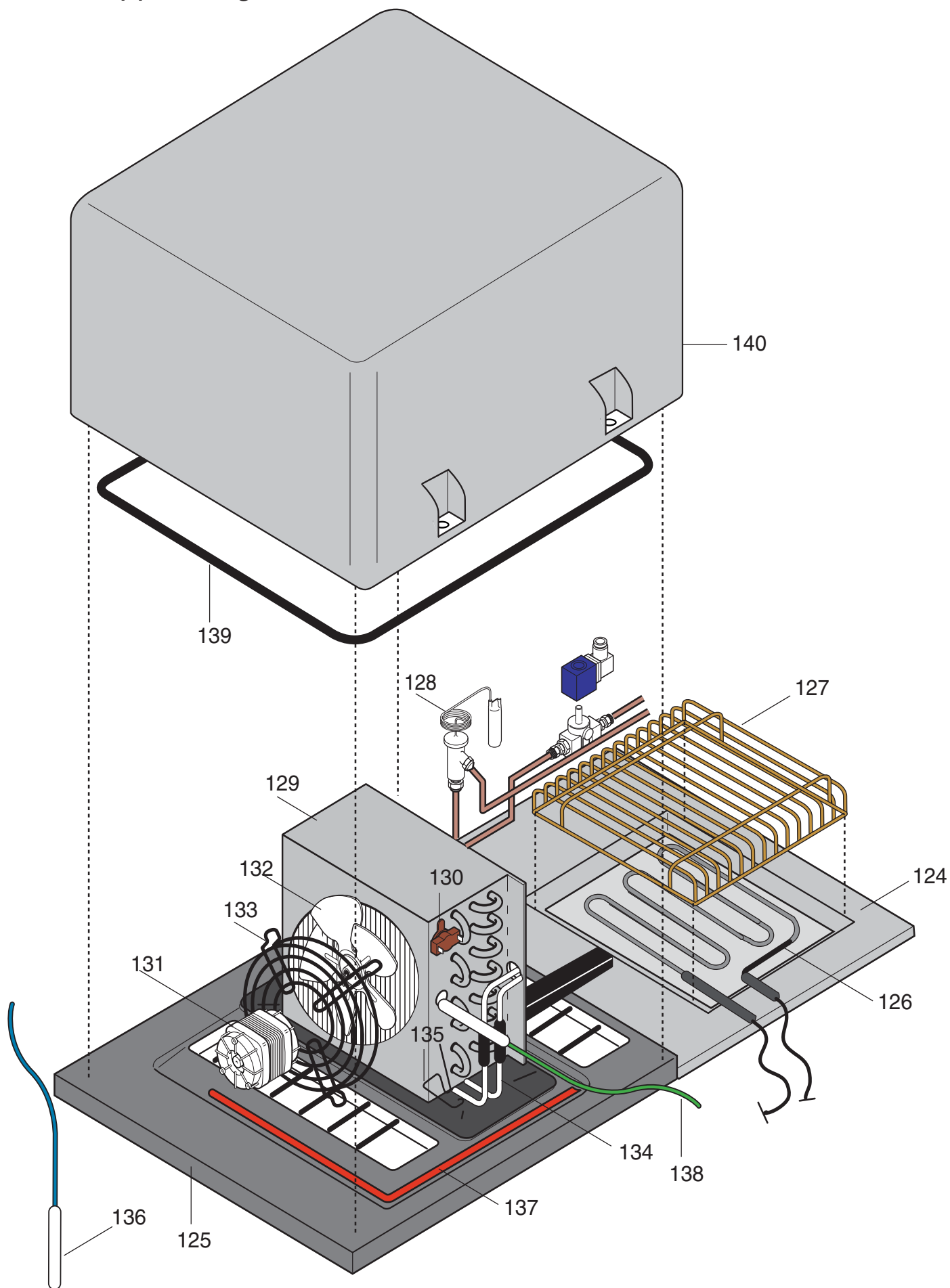


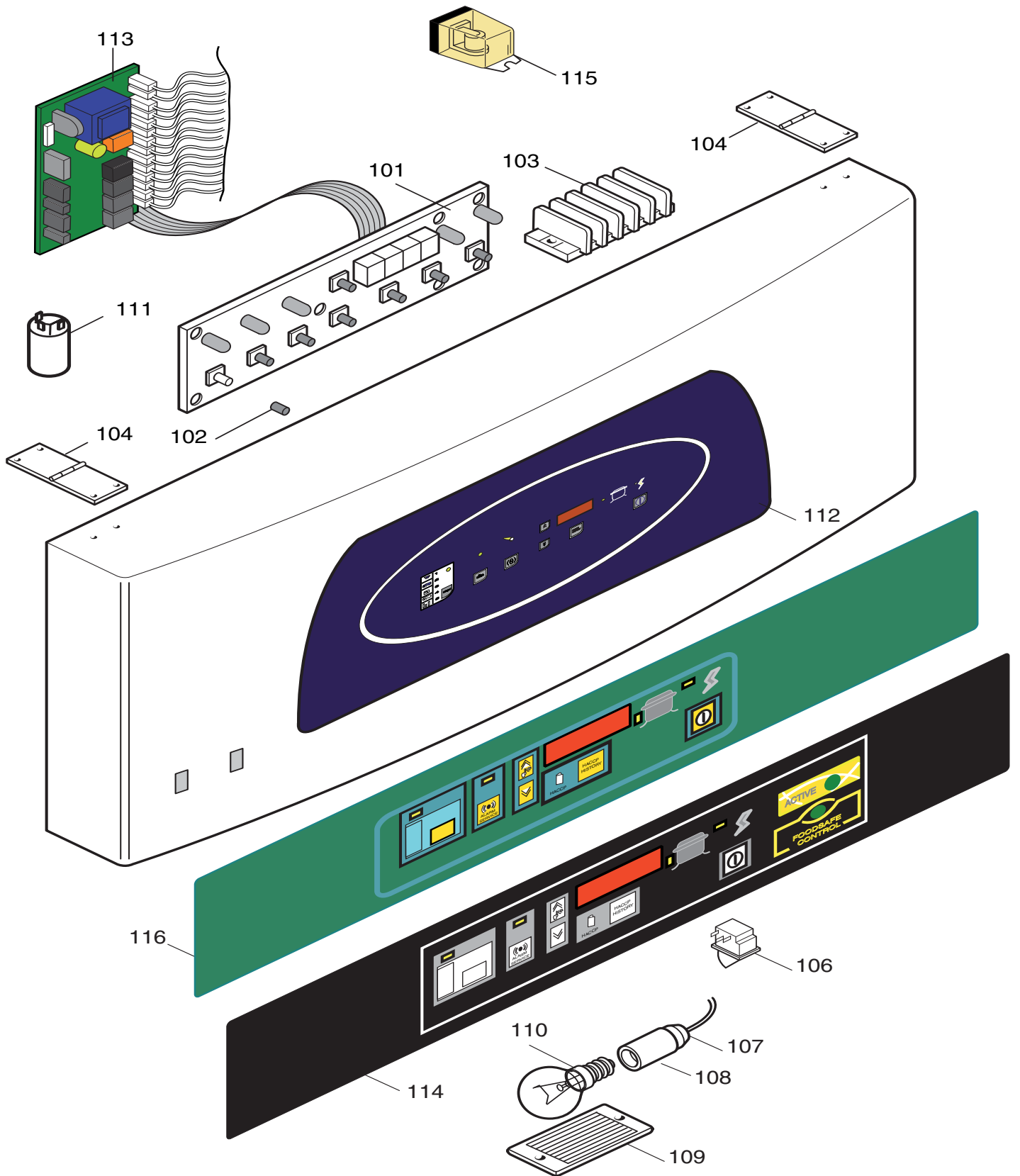
Cooling unit assembly -15 -24 °C  
 Gruppo refrigerante -15 -24 °C



# Cooling unit assembly remote

## Gruppo refrigerante remoto





**Refrigerators - 1200/1400 lt**

<b>PNC</b>	<b>Ref.</b>	<b>PNC</b>	<b>Ref.</b>	<b>PNC</b>	<b>Ref.</b>	<b>PNC</b>	<b>Ref.</b>	<b>PNC</b>	<b>Ref.</b>
110705	A	726493	I	110095	S				
726547	B	110093	L	727013	u	727014	v		
728485	C	726598	M	727022	z	727023	x		
110706	E	726599	N						
728486	F	726679	o						
726371	G	726680	P						
726372	H	726495	R						

Pos.	Code	Descrizione	Description	Ref. / Note
		<b><u>Pagina 2 Mobile 2 PC</u></b>	<b><u>Page 2 Cabinet Two full door</u></b>	
1	087128	Cerniera superiore	Upper hinge	
1	087788	Cerniera superiore	Upper hinge	g,h,m,n,o,p,u,v,z,x
2	082219	Cerniera a tuffo	Hinge for door	
3	087223	Grglia centrale	Central grid	i,l,r,s,q
4	0A8053	Serratura porta	Lock for door	
5	0A9663	Cremagliera ant.	Rack-rail	until to ser.n° 7380000..
5	091629	Cremagliera ant.	Rack-rail	from ser.n°73900001
6	083839	Tappo per gancio	Plug Hook support	
7	0A9680	Guida per ripiano	Shelf runner	a,b,c,d,e,f,i,l,q,r,s,t
7	090184	Guida per ripiano	Shelf runner	g,h,m,n,o,p,z,x
8	083635	Griglia	Shelf	a,b,d,e,f,i,l,q,r,s,t
8	099994	Griglia	Shelf	c,g,h,m,n,o,p,u,v,z,x
9	083838	Aggancio cremagliera	Hook	
9	090210	Aggancio cremagliera	Hook	h,g,l,i,m,o,p,s,f,q,t,u,v,z,x
10	0A9664	Cremagliera post.	Rack-rail	until to ser.n° 738000..
10	091630	Cremagliera post.	Rack-rail	from ser.n°73900001
11	081654	Boccola cerniera	Bushing for hinge	
12	087127	Staffa inferiore	Lower hinge	
12	087792	Staffa inferiore	Lower hinge	h,g,m,n,u,v
13	087129	Guarnizione porta	Gasket door	a,b,c,d,e,f,i,l,q,r,s,t
13	090186	Guarnizione porta	Gasket door	g,h,m,n,u,v
14	087091	Porta schiumata Zanussi	Door Zanussi	a,d,l,s
14	085973	Porta schiumata Electrolux	Door Electrolux	b,e,i,r
14	090187	Porta schiumata Electrolux	Door Electrolux	g,h,m,n,u,v
14	0A9686	Porta schiumata Alpeninox	Door Alpeninox	c,f,q,t
16	0A9138	Piedino	Foot	
17	083837	Aggancio cremagliera	Hook	
17	090214	Aggancio cremagliera	Hook	h,g,l,i,m,n,o,p,s,r,q,t,u,v,z,x
18	087486	Cruscotto Zanussi	Panel Zanussi	a,d,l,s
18	087489	Cruscotto Electrolux	Panel Electrolux	b,e,g,h,i,m,n,o,p,r,u,v,z,x
18	092032	Cruscotto alpeninox	Panel alpeninox	c,f,q,t
19	0A9679	Cavo riscaldante	Heating cable	a,b,c,i,l,q,r,s,q,t
19	081170	Cavo riscaldante	Heating cable	d,e,f
19	090188	Cavo riscaldante	Heating cable	g,m,n,u,v
19	090189	Cavo riscaldante	Heating cable	h
19	099867	Cavo riscaldante	Heating cable	o,p,z
20	081797	Controdado	Nut	a,b,c,g,i,l,m,o,t,u,z
21	081823	Piletta	Discharge pipe	a,b,c,g,i,l,m,o,t,u,z
22	085535	Tappo piletta	Plung	a,b,c,g,i,l,m,o,t,u,z
23	088982	Piedino elux quadro	Foot elux square	b,e,i,r
23	090190	Piedino elux quadro	Foot elux square	g,h,m,n,o,p,u,v,z,x
24	099862	Staffa inferiore 1/2	Lower hinge 1/2	o,p,z,x
25	099863	Staffa centrale	Central hinge	o,p,z,x
26	085985	Cremagliera ant. superiore	Upper frontRack-rail	o,p,z,x
28	085988	Cremagliera ant. inferiore	Lower frontRack-rail	o,p,z,x
29	099864	1/2 porta sup. dx o inf. sx	Half door upper right or lower left	o,p,z,x
30	099865	1/2\ porta infer.dx o sup. sx	Half door lower right or upper left	o,p,z,x
31	099866	Guarnizione 1/2 porta	Half door gasket	o,p,z,x
32	0A8856	Boccola cerniera	Bushing for hinge	o,p,z,x
33	099860	Griglia protezione	Grid protection	o,p
*	089808	Cornice verticale	Vertical frame	a,b,c,d,e,f,i,l,q,r,s,i,t
*	099861	Cornice verticale 1/2 porta	Vertical frame 1/2 door	o,p
*	089219	Cornice verticale 1/2 porta	Vertical frame 1/2 door	z,x
*	090191	Cornice verticale	Vertical frame	g,h,m,n
*	088944	Cornice orrizontale	Orrizontal frame	a,b,c,d,e,f,i,l,q,r,s,t,u,v,z,x
*	090192	Cornice orrizontale	Orrizontal frame	g,h,m,n,o,p,z,x
*	089808	Cornice verticale montante	Vertical frame for central supp.	

**Refrigerators - 1200/1400 lt**

PNC	Ref.	PNC	Ref.	PNC	Ref.	PNC	Ref.	PNC	Ref.
110705	A	726493	I	110095	S				
726547	B	110093	L	727013	u	727014	v		
728485	C	726598	M	727022	z	727023	x		
110706	E	726599	N						
728486	F	726679	o						
726371	G	726680	P						
726372	H	726495	R						

Pos.	Code	Descrizione	Description	Ref. / Note
		<b><u>Pagina 3 Gruppo -2C°</u></b>	<b><u>Page 3 Cooling -2C°</u></b>	
49	089685	Basamento compressore	Cooling support (COMPRESSOR)	
50	099763	Basamento evaporatore	Cooling support (EVAPORATOR)	
51	0A9674	Scambiatore	Heat exchanger	
52	0A8171	Valvola ricarica	Valve	
53	083752	Compressore GP12 TB	Compresssor GP12 TB	
53	084697	Compressore GP12TE	Compresssor	g,o
54	081756	Relè avviamento	Relay	a,b,c,i,l
55	083152	Protettore termico	Protector for compressor	a,b,c,i,l
56	084745	Ventilatore	Motor ventilator	a,b,c,i,l,t
56	088423	Ventilatore	Motor ventilator	g
56	099870	Ventilatore	Motor ventilator	m,o
57	082230	Ventola	Fan	a,b,c,i,l,t
57	085532	Ventola	Fan	g,m,o
58	089755	Protezione ventola	Fan protection	
59	0A9669	Condensatore	Condenser	
60	<b>092188</b>	Sonda condensatore/amb.	Probe for condenser/amb.	set parameter from NTC2 TO NTC3
61	089619	Bacinella raccogli condensa	Basin	
62	0A9673	Resistenza sbrinamento	Defrost heating element	a,b,c,i,l,t
62	090204	Resistenza sbrinamento	Defrost heating element	g,m,o
<b>63</b>	<b>092186</b>	Sonda evaporatore <b>green</b>	Probe for evaporator <b>green</b>	set parameter from NTC2 TO NTC3
64	090194	Tappo fusibile per alta pressione	Safety plug for hight pressure	g,m
66	0A9671	Termostato ELTH	Thermostat	a,b,c,i,l,t
66	090105	Termostato ELTH	Thermostat	g,m,o
67	0A9672	Evaporatore	Evaporator	
68	084078	Filtro	Filter	a,b,c,i,l,t
68	083854	Filtro	Filter	g,m,o
69	0KX010	Guarnizione campana	Cover gasket	
70	099227	Campana	Cover	
71	081707	Molla per fissaggio resistenza	Heating element spring	
72	0A8764	Condensatore di spunto	Electric start condenser	a,b,c,i,l
78	<b>092185</b>	Sonda cella <b>Blue</b>	Probe for cell	set parameter from NTC2 TO NTC3
*	099439	Ass. gruppo refrigerante	Complete cooling unit	a,l,i,c,b,t
*	858747208	Ass. gruppo refrigerante	Complete cooling unit	g
*	858774204	Ass. gruppo refrigerante	Complete cooling unit	m,o
		<b><u>Pagina 4 Gruppo -24C°</u></b>	<b><u>Page 4 Cooling -24C°</u></b>	
149	092028	Basamento gruppo compressore	Cooling support (compressor)	
150	099763	Basamento gruppo evaporatore	Cooling support (evaporator)	
151	087116	Scambiatore	Heat exchanger	
151	091951	Scambiatore	Heat exchanger	d,e,q,r,s,f,q <b>From serial n°81800001</b>
151	*	Scambiatore	Heat exchanger	Art. 845723400- n
152	0A9459	Valvola ricarica	Discharge valve	<b>Until serial N°817000...</b>
152	085505	Valvola ricarica	Discharge valve	<b>From serial n°81800001</b>
153	084076	Compressore J2192 GK	Compresssor J2192 GK	d,e,q,r,s <b>Until serial N°817000...</b>
153	091950	Compressore Tecu.CAJ2446Z	Compresssor Tecu.CAJ2446Z	d,q,r,s,e,f,q <b>From serial n°81800001\</b>
153	090205	Compressore J2192 GK 115/60Hz	Compresssor 115/60Hz	h,n,p
154	083448	Relè avviamento	Relay	d,e,f,q,r,s (J2192 GK)
154	091788	Relè avviamento	Relay	p,h,n
155	083449	Condensatore di spunto	Electric starter condenser	d,e,f,q,r,s (J2192 GK)
155	091790	Condensatore di spunto	Electric starter condenser	p,h,n
156	087168	Ventilatore condensatore	Motor ventilator for condenser	d,e,f,q,r,s
156	088098	Ventilatore condensatore	Motor ventilator for condenser	h,n,p
157	084780	Ventola condensatore	Fan for condenser	d,e,f,q,r,s
157	084781	Ventola condensatore	Fan for condenser	h,n,p,f
158	0A9728	Protezione ventola cond.	Protection fan for condenser	
159	087115	Condensatore	Condenser	



**Refrigerators - 1200/1400 lt**

<b>PNC</b>	<b>Ref.</b>	<b>PNC</b>	<b>Ref.</b>	<b>PNC</b>	<b>Ref.</b>	<b>PNC</b>	<b>Ref.</b>	<b>PNC</b>	<b>Ref.</b>	<b>PNC</b>	<b>Ref.</b>
110705	A	726493	I	110095	S	726547	B	110093	L	728485	C
726598	M	110706	E	726599	N	728486	F	726679	o	726371	G
726680	P	726372	H	726495	R	727013	u	727014	v	727022	z

<b>Pos.</b>	<b>Code</b>	<b>Descrizione</b>	<b>Description</b>	<b>Ref. / Note</b>
160	<b>092188</b>	Sonda condensatore	Probe for condenser	set parameter from NTC2 TO NTC3
161	089619	Bacinella raccogli condensa	Basin	
162	0A9673	Resistenza sbrinamento	Defrost heating element	d,e,f,q,r,s
162	090204	Resistenza sbrinamento	Defrost heating element	h,n,p
<b>163</b>	<b>092186</b>	Sonda evaporatore <b>verde</b>	Probe for evaporator <b>green</b>	set parameter from NTC2 TO NTC3
164	091789	Condensatore di marcia	Electric run capacitor	p,h,n (J2192 GK)
166	0A9671	Termostato ELTH	Security thermostat	d,e,f,q,r,s
166	090105	Termostato ELTH	Security thermostat	h,n,p
167	091949	Evaporatore	Evaporator	q,r,s,f,q
167	0A9672	Evaporatore	Evaporator	
168	0A9371	Filtro	Filter	d,e,f,q,r,s
168	083854	Filtro	Filter	h,n,p
169	0A9377	Corpo valvola Parker	Body valve	
170	089755	Protezione ventola evap.	Fan protection	d,e,f,h,n,p
171	082230	Ventola evaporatore	Fan for evaporator	d,e,f,
171	085532	Ventola evaporatore	Fan for evaporator	h,n,p
172	085847	Bobina	Valve	
173	084745	Ventilatore evaporatore	Motor ventilator for evaporator	d,e,f
173	088423	Ventilatore evaporatore	Motor ventilator for evaporator	h
173	091196	Ventilatore evaporatore + ventola	Ventilator for evaporator + fan	q,s,r
173	099870	Ventilatore evaporatore	Motor ventilator for evaporator	n,p
174	087090	Cavo riscaldante	Heating cable	d,e,f,q,r,s
174	090207	Cavo riscaldante	Heating cable	h,n,p
175	0KX010	Guarnizione campana	Cover gasket	
176	099227	Campana	Cover	
178	<b>092185</b>	Sonda cella <b>Blue</b>	Probe for cell <b>Blue</b>	set parameter from NTC2 TO NTC3
179	090194	Tappo fusibile per alta pressione	Safety plug for hight pressure	h,n,p
180	085088	Pressostato	Pressostat	h,n,p
*	091742	Ass. gruppo refrigerante	Complete cooling unit	d,e,f,
*	<b>858747308</b>	Ass. gruppo refrigerante	Complete cooling unit	h,
*	<b>092027</b>	Ass. gruppo refrigerante	Complete cooling unit	q,r,s
*	<b>858774304</b>	Ass. gruppo refrigerante	Complete cooling unit	n,p,
		<b><u>Pagina 4 Gruppo remoto</u></b>	<b><u>Page 4 remote Cooling</u></b>	
124	089685	Assieme basamento (compressore)	Cooling support (compressor)	u,v,z,x
125	099763	Assieme basamento gruppo	Cooling support (evaporator)	u,v,z,x
126	092221	Resistenza	Defrost heating element	u,v,x
127	090176	Griglia per resistenza	Protection for heating element	u,v,z,x
128	087335	Evaporatore	Evaporator	u,v,z,x
129	087333	Valvola term. 304A	Thermostatic Valve 304A	u,z
129	087334	Valvola term. 404A	Thermostatic Valve 404A	v,x
130	090105	Termostato di sicurezza	Security thermostat +40	u,v,z,x
131	099870	Ventilatore	Ventilator	u,v,z,x
132	085532	Ventola	Fan	u,v,z,x
133	089755	Protezione ventola	Fan protection	u,v,z,x
134	090204	Resistenza evap.	Defrost heating element	u,v,z,x
135	081707	Molla per fiss. resistenza	Spring to fix heating element	u,v,z,x
136	<b>092177</b>	Sonda cella <b>S1 Blue</b>	Probe cell <b>S1 Blue</b>	u,zset the parameter TCELL to NTC3
137	090207	Cavo riscaldante basamento	Heating element for basament	v,x
138	<b>092186</b>	Sonda evap. <b>S2 Verde</b>	Evaporator probe <b>S2 Green</b>	u,z,xset the parameter TEAP to NTC3
139	0kx010	Guarnizione campana	Gasket	u,v,z,x
140	092227	Campana	Cover	u,v,z,x
*	088602	Gabbietta per sonda	Probe support	
*	089614	Isolante per valvola termostatica	Thermostatic valve protection	u,v,z,x
*	092220	Gruppo completo	Cooling unit assembly	u,z
		<b><u>Pagina 5</u></b>	<b><u>Page 5 Control panel</u></b>	
101	087481	Scheda user	User board	
102	002670	Prolunga pulsante	Button extention	
103	0A9312	Morsettiera	Clamp	
104	099853	Cerniera cruscotto	Hinge panel	

**Refrigerators - 1200/1400 lt**

<b>PNC</b> 110705 726598 726680	<b>Ref.</b> A M P	<b>PNC</b> 726493 110706 726372	<b>Ref.</b> I E H	<b>PNC</b> 110095 726599 726495	<b>Ref.</b> S N R	<b>PNC</b> 726547 728486 727013	<b>Ref.</b> B F u	<b>PNC</b> 110093 726679 727014	<b>Ref.</b> L o v	<b>PNC</b> 728485 726371 727022	<b>Ref.</b> C G z
------------------------------------------	----------------------------	------------------------------------------	----------------------------	------------------------------------------	----------------------------	------------------------------------------	----------------------------	------------------------------------------	----------------------------	------------------------------------------	----------------------------

<b>Pos.</b>	<b>Code</b>	<b>Descrizione</b>	<b>Description</b>	<b>Ref. / Note</b>
105	053342	Molla per marchio	Spring	
106	087485	Micro porta	Door swith	
107	082050	Boccola portalampane	Bushing for light	
108	091202	Portalampane	Support light	
109	081697	Schermo luce	Light protection	
110	081696	Lampada	Light	a,b,c,d,e,f,i,l,q,r,s,t
110	090199	Lampada	Light	g,h,m,n,o,p,u,v,z,x
111	048726	Filtro antidisturbo	Filter	
112	088523	Adesivo Electrolux (new)	Sticker Electrolux (new)	b,i
112	088525	Adesivo Electrolux (new)	Sticker Electrolux (new)	e,r
112	090200	Adesivo Electrolux (new)	Sticker Electrolux (new)	g ,m,o,u,z
112	090201	Adesivo Electrolux (new)	Sticker Electrolux (new)	h ,n,p,v,x
113	<b>092023</b>	Scheda main	Elettronic board main	<i>replace code from 099161 to 092023 for add ptc on main board to be programmed</i>
113	090202	Scheda main	Elettronic board main	g,m,o,p,u,v,z,x <b>to be programmed</b>
114	088990	Adesivo Zanussi (active)	Sticker Zanussi (active)	a,l
114	088992	Adesivo Zanussi (active)	Sticker Zanussi (active)	d,s
115	088557	Rele` (teleruttore)	Relay	d,e,f,q,r,s
115	085959	Rele`	Relay	h,n,p,v,x
116	090208	Adesivo alpeninox	Sticker alpeninox	c,t
116	090209	Adesivo alpeninox	Sticker alpeninox	f,q,f