

**LAVASTOVIGLIE SOTTOTAVOLO
UNDERCOUNTER DISHWASHER****WT30H / WT30M / WT30C**

Code	Type	Ref.	Pagina/ Page
502313	WT30H208U	a	2 3 5 7
502314	WT30H240U	b	2 3 5 7
502315	WT30H208DU	c	2 3 5 7
502316	WT30H240DU	d	2 3 5 7
502317	WT30H208RU	e	2 3 5 7
502318	WT30H240RU	f	2 3 5 7
502328	WT30M208U	g	2 3 5 7
502329	WT30M240U	h	2 3 5 7
502339	WT30M208DU	i	2 3 5 7
502341	WT30M240DU	l	2 3 5 7
502342	WT30M208RU	m	2 3 5 7
502343	WT30M240RU	n	2 3 5 7
502344	WT30C208DU	o	2 3 5 7
502345	WT30C240DU	p	2 3 5 7
502348	WT30H208WS	q	2 4 6 7
502349	WT30H240WS	r	2 4 6 7

Pagina/ Page**Indice/ index**

2	Vista generale / Main view
3	Componenti idraulici (no per "q,r") / Hydraulic components (not for "q,r")
4	Componenti idraulici (solo per "q,r") / Hydraulic components (just for "q,r")
5	Circuito idraulico (no per "q,r") / Hydraulic circuit (not for "q,r")
6	Circuito idraulico (solo per "q,r") / Hydraulic circuit (only for "q,r")
7	Componenti elettrici / Electrical components
8 - 17	Lista ricambi / Spare parts list

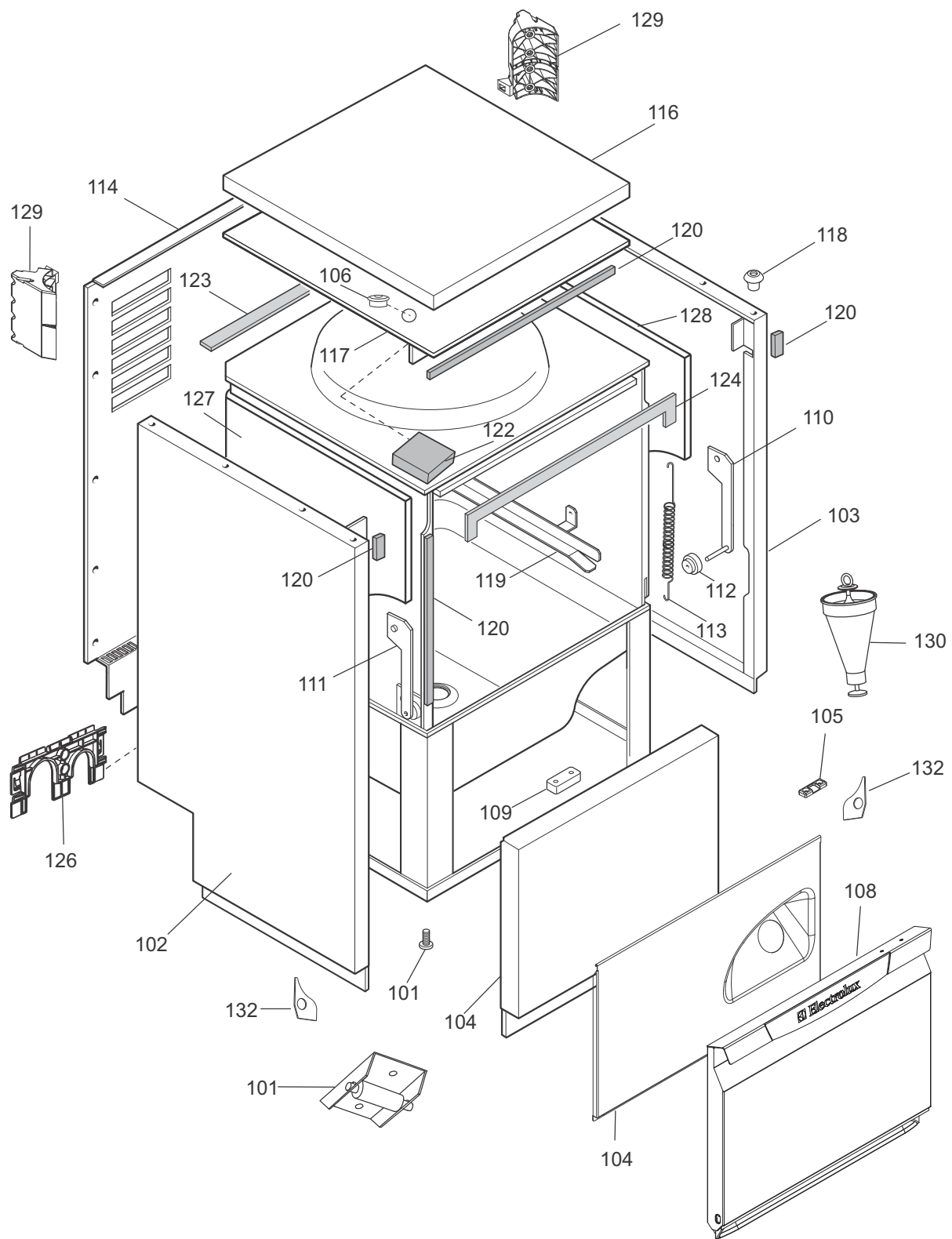
Marchio/ Brand: A
Paese/ Country: CANADA-USA

Da Ser.Nr./From Ser.nr.: /404...

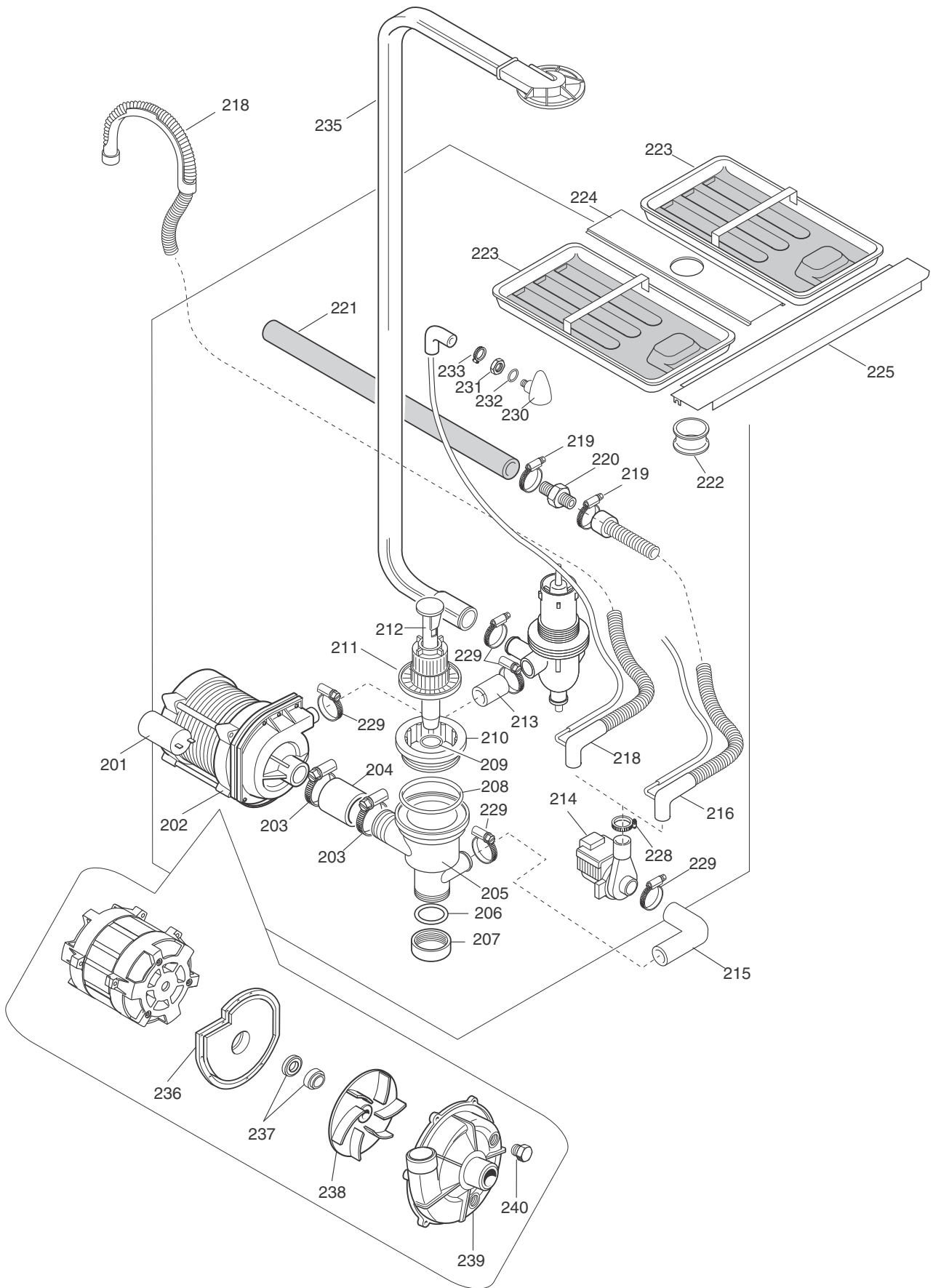
Page: 1

Ed.2011-02

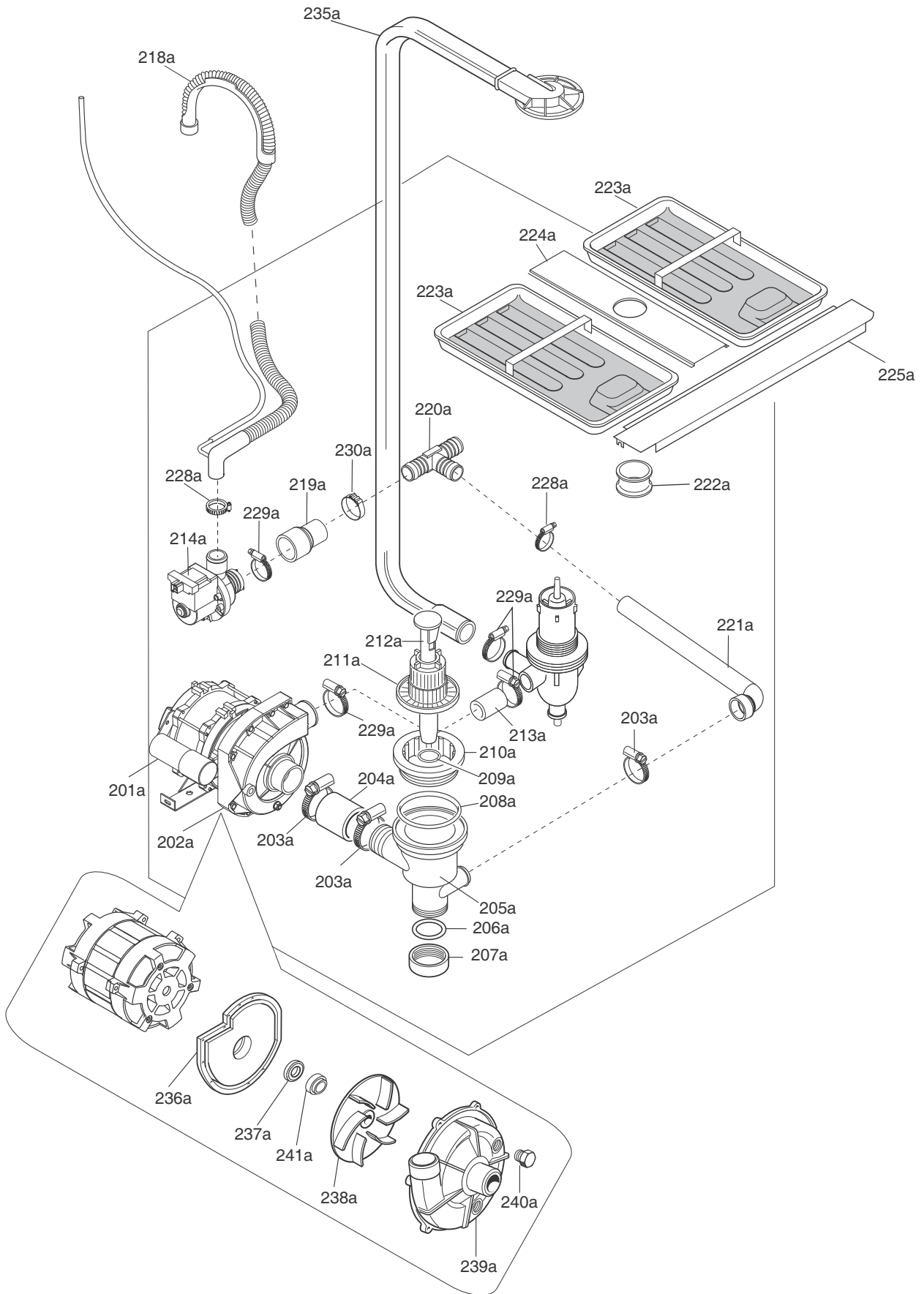
Doc. Nr.: 6-11 804



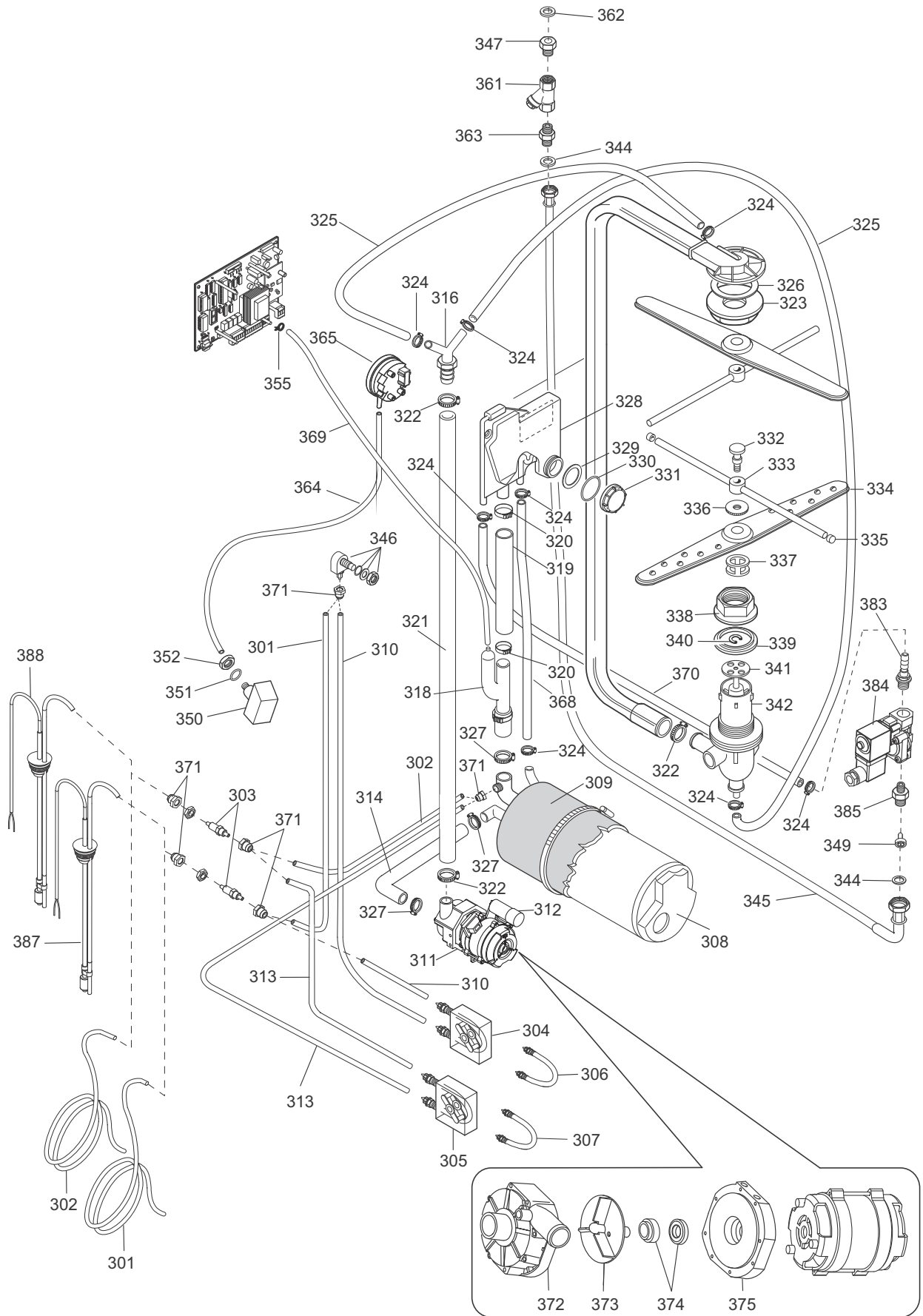
ill. 611804p2_USA
 Vista generale / Main view



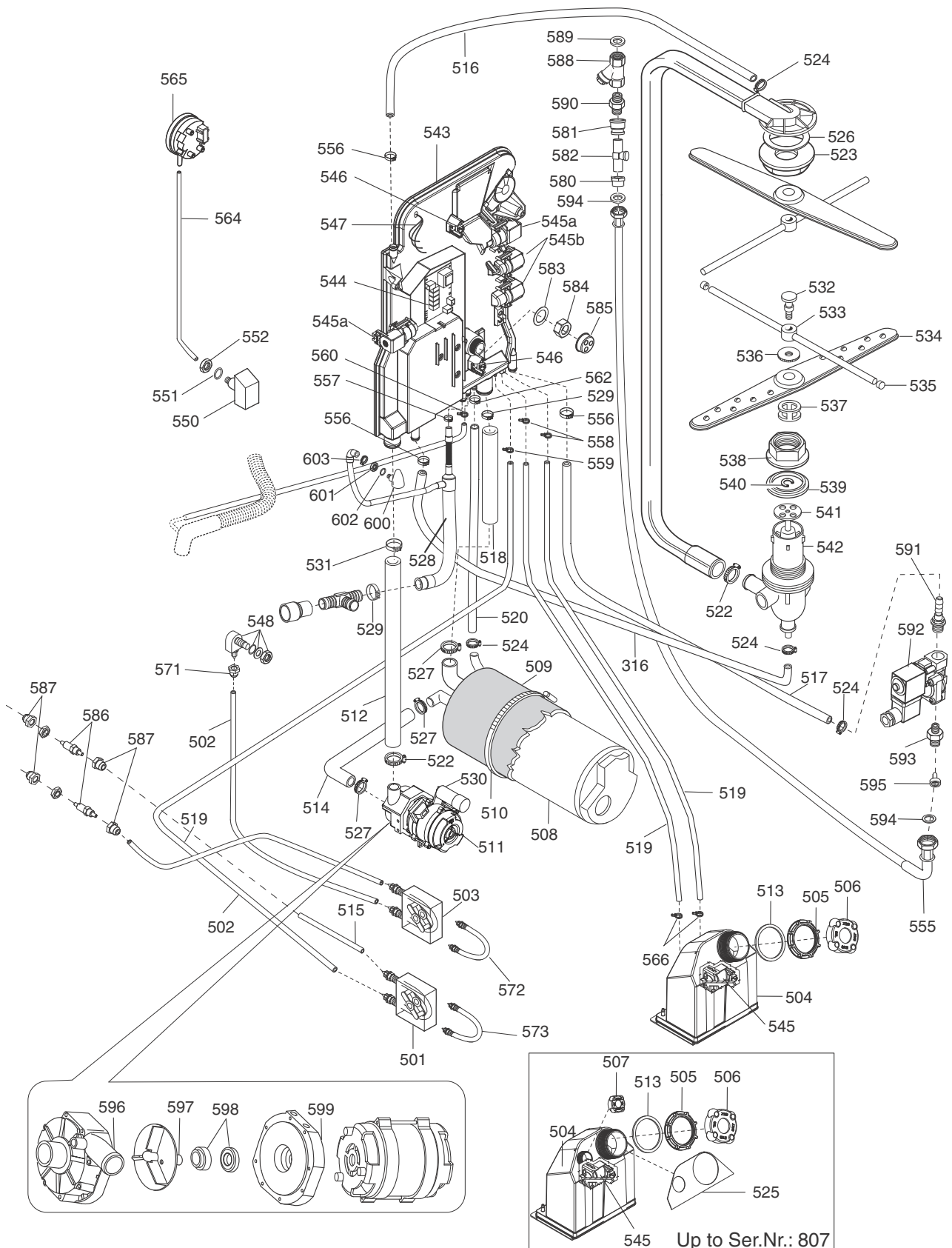
ill. 611004p3_usa
 Componenti idraulici (no per "q,r") / Hydraulic components (not for "q,r")



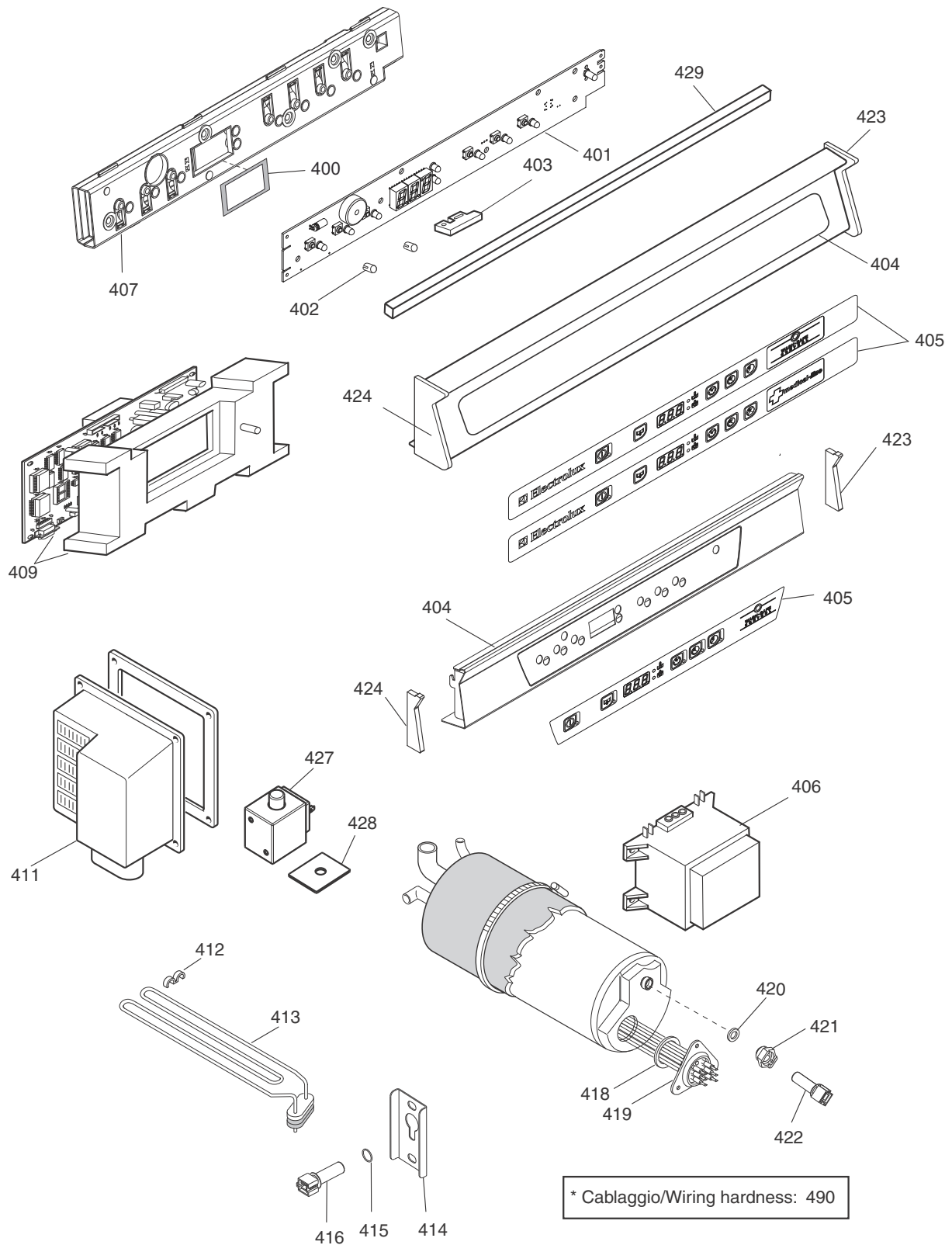
ill. 611804p4_USA_WS
Componenti idraulici (solo per "q,r") / Hydraulic components (just for "q,r")



ill. 611004P4_usa
 Circuito idraulico (no per "q,r") / Hydraulic circuit (not for "q,r")



ill. 611804p6_USA_WS
 Circuito idraulico (solo per "q,r") / Hydraulic circuit (only for "q,r")



ill. 611804p7_USA
Componenti elettrici / Electrical components

Da Ser.Nr./From Ser.nr.: /404...

Page: 7 Ed.2007-11

Doc. Nr.: **6-11 804**

LAVASTOVIGLIE SOTTOTAVOLO WT30H / WT30M / WT30C UNDERCOUNTER DISHWASHER WT30H / WT30M / WT30C				Grassetto = variazioni Bold Print = changes
Pos.	Cod.ric. Part No.	Descrizione	Description	Note / Notes
		Pagina 2: Vista generale	Page 2: Main view	ill. 611804p2_USA
101	049393	Piedino regolabile	Adjustable foot	
101	0L0118	Piede a rullo	Roller	o,p
102	0L0105	Pannello laterale; sx	Side panel; left	Not for "q,r" c,d,o,p,i,l: Up to Ser. Nr. 705
102	0L1385	Pannello laterale; sx	Side panel; left	c,d,o,p,i,l,q,r From Ser. Nr. 706
103	0L0106	Pannello laterale; dx	Side panel; right	Not for "q,r" c,d,o,p,i,l: Up to Ser. Nr. 705
103	0L1386	Pannello laterale; dx	Side panel; right	c,d,o,p,i,l,q,r: From Ser. Nr. 706
104	049911	Pannello frontale	Front panel	Not for q,r - Up to Ser. Nr. 642
104	0L1312	Pannello frontale	Front panel	Not for q,r - From Ser. Nr.: 643 Up to Ser. Nr.: 806
104	0L1313	Pannello frontale	Front panel	Not for q,r - From Ser. Nr.: 807
104	0L0743	Pannello frontale	Front panel	q,r - Up to Ser. Nr.: 806
104	0L1686	Pannello frontale	Front panel	q,r - From Ser. Nr.: 807 Up to Ser. Nr.: 807
104	0L1690	Pannello frontale	Front panel	q,r - From Ser. Nr.: 808
105	0L0532	Fermo porta	Door catch	g,h,i,l,m,n - Medical line
106	0L0533	Tappo	Plug	g,h,i,l,m,n - Medical line
108	0L0782	Porta	Door	a,b,c,d,e,f,o,p - Up to Ser. Nr.: 723
108	0L0783	Porta	Door	a,b,c,d,e,f,o,p From Ser. Nr.: 724 Up to Ser. Nr.: 851
108	0L1900	Porta	Door	a,b,c,d,e,f,o,p From Ser. Nr.: 852
108	0L0534	Porta	Door	g,h,i,l,m,n - Up to Ser. Nr.: 723
108	0L1252	Porta	Door	g,h,i,l,m,n - From Ser. Nr.: 724
109	049627	Magnete grigio	Magnet	
110	048813	Ass. Leva DX	Assembly Lever right	Up to ser. nr.: 526
110	0L0717	Ass. Leva DX	Assembly Lever right	From ser. nr.: 527
111	048814	Ass. Leva SX	Assembly Lever left	Up to ser. nr.: 526
111	0L0718	Ass. Leva SX	Assembly Lever left	From ser. nr.: 527
112	048812	Bronzina	Bushing	
113	048815	Molla Porta	Door spring	
114	0L0476	Schienale	Back panel	For All - Not for: q,r c,d,o,p,i,l: Up to Ser. Nr. 705
114	0L1424	Schienale	Back panel	c,d,o,p,i,l - From Ser. Nr. 706 Up to Ser. Nr. 710
114	0L1416	Schienale	Back panel	c,d,o,p,i,l - From Ser. Nr.: 711 Up to Ser. Nr.: 851
114	0L1893	Schienale	Back panel	o,p,i,l - From Ser. Nr.: 852
114	0L1893	Schienale	Back panel	c,d - From Ser. Nr.: 852 Up to Ser. Nr.: 107
114	0L1894	Schienale	Back panel	c,d - From Ser. Nr.: 108
114	0L1397	Schienale	Back panel	q,r - From Ser. Nr. 706 Up to Ser. Nr. 710

LAVASTOVIGLIE SOTTOTAVOLO WT30H / WT30M / WT30C UNDERCOUNTER DISHWASHER WT30H / WT30M / WT30C				Grassetto = variazioni Bold Print = changes
Pos.	Cod.ric. Part No.	Descrizione	Description	Note / Notes
114	0L1420	Schienale	Back panel	q,r - From Ser. Nr. 711
116	0L0108	Coperchio	Top panel	For All - Not for: q,r c,d,o,p,i,l: Up to Ser. Nr 705
116	0L0744	Coperchio	Top panel	c,d,o,p,i,l,q,r - From Ser. Nr. 706 Up to Ser. Nr. 710
116	0L0745	Coperchio	Top panel	c,d,o,p,i,l,q,r - From Ser. Nr. 711
117	0L0104	Protezione superiore	Upper protection	a,b,e,f c,d,o,p: Up to Ser. Nr 705
117	0L0742	Protezione superiore	Upper protection	c,d,o,p,q,r - From S.N. 706 Up to S.N. 710
117	0L1422	Protezione superiore	Upper protection	c,d,o,pq,r - From Ser. Nr. 711
117	0L0535	Protezione superiore	Upper protection	g,h,m,n - Medical line i,l: Up to Ser. Nr. 710
117	0L1423	Protezione superiore	Upper protection	i,l - From Ser. Nr. 711
118	047511	Piolino	Pin	
119	049493	Ass. supporto Cesto sx	Support; for basket	Up to ser. nr.: 413
119	0L0516	Ass. supporto Cesto	Support; for basket	From ser. nr.: 414
119	048466	Ass. supporto Cesto dx	Support; for basket	Up to ser. nr.: 413
119	0L0516	Ass. supporto Cesto	Support; for basket	From ser. nr.: 414
120	0L0113	Profilo adesivo	Gasket	
122	0L0114	Pannello di rinforzo	Insulation	Not for: q,r
123	0E5559	Guarnizione	Gasket	
124	049932	Guarnizione; cornice vasca	Gasket door	a,b,c,d,e,f,o,p
124	0L0536	Guarnizione; cornice vasca	Gasket door	g,h,i,l,m,n - Medical line
126	0L0112	Copertura passatubi	Hoses protection	
127	0L0483	Pannello isolante sinistro	Left insulating panel	For All - Not for: q,r c,d,o,p,i,l: Up to Ser. Nr. 705
127	0L1373	Pannello isolante sinistro	Left insulating panel	c,d,o,p,i,l: From Ser. Nr. 706 q,r
128	0L0482	Pannello isolante destro	Right insulating panel	
129	0L0762	Supporto angolare	Angular support	From Ser. Nr. 706
130	047604	Misurino sale	Salt funnel	q,r
132	049362	Raccogligocce		Not for "q,r" - Up to Ser. Nr. 705
		Pagina 3: Componenti idraulici	Page 3: Hydraulic components	ill. 611004p3_usa Not for: q,r
201	0A2914	Condensatore per pompa lavaggio	Wash pump capacitor	16 µF
202	0L0419	Pompa Lavaggio	Wash pump	60Hz -
203	046878	Fascetta 38-50	Hose clamp 38-50	
204	045768	Tubo Gomma 45x55	Hose	
205	048325	Coll. Asp. Scarico	Drain manifold	
206	049828	Guarniz. Tappo Ter. Sc.	Gasket	
207	046596	Tappo Terminale Sc.	Plug; for manifold	
208	049894	OR 4*110 Asp Sc.	O Ring	
209	046799	OR Troppo Pieno	O Ring	

LAVASTOVIGLIE SOTTOTAVOLO WT30H / WT30M / WT30C				Grassetto = variazioni
UNDERCOUNTER DISHWASHER WT30H / WT30M / WT30C				Bold Print = changes
Pos.	Cod.ric. Part No.	Descrizione	Description	Note / Notes
210	048326	Ghiera collettore Asp. Sc.	Ring nut; for manifold	
211	048324	Filtro Asp. Pompa	Filter; for pump	
212	048842	Troppo pieno	Overflow pipe	
213	046257	Tubo 42x52	Hose	
214	048939	Pompa scarico	Drain pump 60hz	Up to ser. nr.: 418
214	0L0527	Pompa scarico	Drain pump 60hz	From ser. nr.: 419
215	049877	Manicotto asp scarico	Coupling; drain	
216	049933	Assieme tubo scarico	Drain pipe	c,d - From Ser. Nr.: 852
218	049878	Assieme tubo scarico	Drain pipe	c,d - Up to Ser. Nr.: 851
218	049878	Assieme tubo scarico	Drain pipe	Not for "c,d" - From Ser. Nr.: 852
219	049445	Fasc.Torro 16-27/9	Clip	c,d - From Ser. Nr.: 852
220	0L1379	Raccordo coll. tubo marine	Connection	c,d - From Ser. Nr.: 852
221	049470	Tubo	Pipe	c,d - From Ser. Nr.: 852
222	0L0078	Supporto Filtro	Filter support	
223	049908	Ass.Filtro Vasca	Tank filter	
224	049935	Supporto Centr. Filtri	Support; filters	
225	049936	Supp. Ant. Filtri	Support; filters	
228	047578	Fascetta 26-38 9MM	Hose clamp 26-38	
229	046878	Fascetta 28-50	Hose clamp 38-50	
230	048853	Nasello per vasca	Spigot; air relief	
231	049268	Dado ES.M14X1,5	Nut; M14x1,5	
232	068642	OR 3062; 2,62X15,54	O Ring	
233	046946	Fasc. Torro. W2 8-12/7,5 IVP	Hose clamp 8-12	
235	0L0095	Ass tubo Lavaggio	Hose	
236	0L0498	Flangia	Flange	
237	0L0490	Tenuta	Sharftsealing	
238	0L0493	Girante	Impeller	
239	049526	Chiocciola	Shell	
240	0L0473	Tappo	Plug	
		Pagina 4: Componenti idraulici	Page 4: Hydraulic components	ill. 611804p4_USA_WS (Only for: q,r)
201a	0L1393	Condensatore per pompa lavaggio	Capacitor;	
202a	0L1378	Pompa Lavaggio LGB	Wash pump LGB	60 Hz
203a	046878	Fascetta 38-50	Hose clamp 38-50	
204a	0L1374	Tubo Gomma 44.5x55	Hose 44.5x55	
205a	048325	Coll. Asp. Scarico	Drain manifold	
206a	049828	Guarniz. Tappo Ter. Sc.	Gasket	
207a	046596	Tappo Terminale Sc.	Plug; for manifold	
208a	049894	OR 4*110 Asp Sc.	O Ring	
209a	046799	OR Troppo Pieno	O Ring	
210a	048326	Ghiera collettore Asp. Sc.	Ring nut; for manifold	
211a	048324	Filtro Asp. Pompa	Filter; for pump	
212a	048842	Troppo pieno	Overflow pipe	

LAVASTOVIGLIE SOTTOTAVOLO WT30H / WT30M / WT30C				Grassetto = variazioni	
UNDERCOUNTER DISHWASHER WT30H / WT30M / WT30C				Bold Print = changes	
Pos.	Cod.ric. Part No.	Descrizione	Description	Note / Notes	
213a	0L0259	Manicotto 37x52	Manifold 37x52	60Hz	
214a	0L1131	Pompa scarico 208/240V	Drain pump 208/240V		
218a	0L0773	Tubo Scarico	Drain pipe		
219a	0L0759	Manicotto scarico	Drain manifold		
220a	0L0210	Raccordo a T	T fitting		
221a	0L0760	Manicotto scarico	Drain manifold		
222a	0L0078	Supporto Filtro	Filter support		
223a	049908	Ass.Filtro Vasca	Tank filter		
224a	049935	Supporto Centr. Filtri	Support; filters		
225a	049936	Supp. Ant. Filtri	Support; filters		
228a	047578	Fascetta 26-38	Hose clamp 26-38		
229a	046878	Fascetta 28-50	Hose clamp 28-50		
230a	0L0367	Fascetta D=33	Hose clamp D=33		
235a	0L0777	Ass tubo Lavaggio	Hose		
236a	0L1388	Flangia	Flange		
237a	0L1389	Tenuta fissa	Sharftsealing		
238a	0L1391	Girante	Impeller		
239a	0L1387	Chiocciola	Shell		
240a	0L1392	Tappo	Plug		
241a	0L1390	Tenuta rotante	Sharftsealing		
		Pagina 5: Circuito idraulico	Page 5: Hydraulic circuit		ill. 611004P4_ usa (Not for: q,r)
301	049905	Tubo detergente (bianco)	Detergent pipe (white)		2.66 m - a,b,e,f,g,h,m,n
302	0L0481	Tubo brillantante (blu)	Rinse aid pipe (blue)		2.66 m - a,b,g,h
303	0L0478	Connessione	Connection		
304	0L0506	Pompa peristaltica brillantante	Rinse aid pump	c,d,e,f,i,l,m,n,o,p Up to ser. nr.: 521	
304	0L0697	Pompa peristaltica brillantante	Rinse aid pump	c,d,e,f,i,l,m,n,o,p From ser. nr.: 522	
305	0L0507	Pompa peristaltica detergente	Detergent pump	c,d,i,l,o,p Up to ser. nr.: 521	
305	0L0704	Pompa peristaltica detergente	Detergent pump	c,d,i,l,o,p From ser. nr.: 522	
306	049418	Tubo; interno, pompa brill.	Hose; internal, rin. aid pump	c,d,e,f,i,l,m,n,o,p	
307	049419	Tubo; interno, pompa det.	Hose; internal, det. Pump	c,d,i,l,o,p	
308	0L0283	Boiler	Boiler	Up to Ser. Nr.: 851	
308	0L1906	Boiler	Boiler	From Ser. Nr.: 852	
309	0L0420	Isolante per boiler	Insulation; for boiler		
310	049905	Tubo detergente (bianco)	Detergent pipe (white)	2.66 m - c,d,i,l,o,p	
311	0L0421	Pompa risciacquo	Rinse pump	60 Hz - Up to ser. nr.: 607	
311	0L1098	Pompa risciacquo	Rinse pump	60 Hz - From ser. nr.: 608	
312	049260	Condensatore per pompa risc.	Rinse aid pump capacitor	6,3 µF	
313	0L0481	Tubo brillantante (blu)	Rinse aid pipe (blue)	2.66 m - e,f,m,n	
314	049880	Manicotto asp. Risciaquo	Coupling; rins	Up to ser. nr.: 607	
314	0L1108	Manicotto asp. Risciaquo	Coupling; rins	From ser. nr.: 608	

LAVASTOVIGLIE SOTTOTAVOLO WT30H / WT30M / WT30C UNDERCOUNTER DISHWASHER WT30H / WT30M / WT30C				Grassetto = variazioni Bold Print = changes
Pos.	Cod.ric. Part No.	Descrizione	Description	Note / Notes
316	0L0365	Raccordo 3 vie d.27	Connection 3 way; diam 27-12	
318	0L0098	Trappola D'aria; boiler	Air trap; boiler	
319	049287	Tubo EPDM 25.5x32	Hose; diam 25	
320	0L0367	Fascetta Cobra	Hose clamp	
321	0L0117	Tubo 26x37	Hose	
322	046878	Fascetta a vite 35 -50	Hose clamp 35-50	
323	048824	Ghiera Supp. Getti Sup.	Ring nut	
324	048126	Fascetta a vite 13 -20	Hose clamp 13-20	
325	048531	Tubo EPDM 12x19.5	Hose	
326	0L0110	Guarnizione Supp. Getti Sup.	Gasket	
327	047578	Fascetta 26-38	Hose clamp 26-38	
328	049459	Air Gap std (chiuso)	AIR GAP (close)	Not for "c,d"
328	049459	Air Gap std (chiuso)	AIR GAP (close)	c,d - Up to Ser. Nr.: 107
328	0L2435	Air Gap std (aperto)	AIR GAP (open)	c,d - From Ser. Nr.: 108
329	049828	Guarnizione per AG	Gasket	
330	049460	OR per Ghiera AG	O Ring	
331	049480	Ghiera per A.G.	Ring nut	
332	048290	Perno risciaquo	Pin; for rinse jets	
333	048716	Ass. Portageggi Risc.	Rinse jet	Up to Ser. Nr.: 937
333	0L2095	Ass. Portageggi Risc.	Rinse jet	From Ser. Nr.: 938
334	0L0598	Ass. Getti Lavaggio	Washing arms assembly	
335	048714	Tappo Getti risc.	Plug	Up to Ser. Nr.: 937
336	048632	Rondella di Fermo Lavaggio	Lock washer	
337	048401	Mozzo per Getti Lav.	Hub	
338	048330	Ghiera Fiss. Supp. Getti	Ring nut	
339	048236	Guarnizione LS7 e 8	Gasket	
340	048979	Sege	C-Clamp	
341	048820	Parzializzatore	Flow reducer	
342	048819	Supp. Getti Inf.	Jets support; lower	
344	049201	Guarnizione	GASKET; DIAM 3/4	Up to Ser. Nr.: 851
344	0L1945	Guarnizione	GASKET; DIAM 3/4	From Ser. Nr.: 852
345	049540	Ass. Tubo alimentazione	Pipe; straight + 90 degr, 2100mm	Up to ser. nr.: 527
345	0L0733	Ass. Tubo alimentazione	Pipe; straight + 90 degr	From Ser. Nr.: 528 Up to Ser. Nr.: 851
345	0L1967	Ass. Tubo alimentazione	Pipe; straight + 90 degr	From Ser. Nr.: 852 Up to Ser. Nr.: 022
345	0L1887	Ass. Tubo alimentazione	Pipe; straight + 90 degr	From Ser. Nr.: 023
346	049801	Iniettore Det. AISI304	Detergent injection	
347	0L2038	Raccordo 3/4" - 3/4" G	Connection 3/4" - 3/4" G	From Ser. Nr.: 019
349	049650	Parzializzatore; 10L/min	Flow reducer	Not for "c,d"
349	049650	Parzializzatore; 10L/min	Flow reducer	c,d - Up to Ser. Nr.: 107
349	0L0170	Parzializzatore; 5.5L/min	Flow reducer	c,d - From Ser. Nr.: 108
350	048308	Trappola d'aria per pressost.	Air trap	
351	068642	OR 2062x15.54	O Ring	
352	049268	Dado M14x1.5	Nut; M14x1,5	

LAVASTOVIGLIE SOTTOTAVOLO WT30H / WT30M / WT30C UNDERCOUNTER DISHWASHER WT30H / WT30M / WT30C				Grassetto = variazioni Bold Print = changes
Pos.	Cod.ric. Part No.	Descrizione	Description	Note / Notes
355	0E5993	Fascetta Elastica su Main Board	Hose clamp	
361	068121	Ass.filtro 3/4 G	Filter	
362	049201	Guarnizione	GASKET; DIAM 3/4	
363	072457	Nipplo ottone 3/4" - 3/4"	Brass nipple 3/4" - 3/4"	
364	049904	Tubo pressostato	Pressure switch hose	
365	049881	Pressostato	Pressure switch	
368	048531	Tubo EPDM 12x19.5	Hose	
369	072393	Tubo EPDM 4x7.4	Hose	
370	048531	Tubo EPDM 12x19.5	Hose	
371	0L0349	Assieme tappo	Plug assembly	
372	0L0495	Chiocciola	Shell	Up to ser. nr.: 607
373	0L0492	Girante	Impeller	Up to ser. nr.: 607
374	0L0489	Tenuta	Sharftsealing	Up to ser. nr.: 607
375	0L0497	Flangia	Flange	Up to ser. nr.: 607
383	0L0477	Portagomma	Fitting	
384	0L0423	Elettrovalvola	Electric valve	a,c,e,g,i,m,o - Up to ser.: 427
384	0L0569	Elettrovalvola	Electric valve	a,c,e,g,i,m,o - From ser.: 428
384	0L0488	Elettrovalvola	Electric valve	b,d,f,h,i,l,n,p - Up to ser.: 427
384	0L0569	Elettrovalvola	Electric valve	b,d,f,h,i,l,n,p - From ser.: 428
385	0L0479	Nipplo ottone 3/4"- 3/8"	Brass nipple 3/4"- 3/8"	
387	0L0687	Sensore di livello detergente	Detergent float switch	o,p
388	0L0688	Sensore di livello brillantante	Rinse aid float switch	o,p
		Pagina 6: Circuito idraulico	Page 6: Hydraulic circuit	ill. 611804p6_USA_WS (Only for: q,r)
501	0L0697	Pompa perist. Brillantante	Pump; rinse aid	
502	049905	Tubo detergente (bianco)	Detergent pipe (white)	
503	0L0704	Pompa perist. Detergente	Pump; detergent	
504	0L1694	Boccia Sale + Elettrovalvola	Salt container + Solenoid valve	Up to Ser. Nr.: 807
504	0L1692	Boccia Sale + Elettrovalvola	Salt container + Solenoid valve	From Ser. Nr.: 808
505	0L1693	Ghiera boccia sale	Salt container nut	From Ser. Nr.: 808
506	0L0272	Tappo boccia sale	Salt container plug	From Ser. Nr.: 808
507	0L0749	Tappo contenitore brillantante	Rinse aid container plug	Up to Ser. Nr.: 807
508	0L0778	Boiler	Boiler	Up to Ser. Nr.: 851
508	0L1907	Boiler	Boiler	From Ser. Nr.: 852
509	0L1375	Isolante per boiler	Insulation; for boiler	
510	048222	Fascetta 210-230/12	Hose clamp 210-230/12	
511	0L1098	Pompa risciacquo	Rinse pump	60Hz
512	0L0785	Tubo	Hose	
513	0L1691	Guarnizione boccia sale	Salt container gasket	Up to Ser. Nr.: 807
514	0L1108	Manicotto asp. Risciaquo	Coupling; rinse	
515	0L0481	Tubo brillantante (blu)	Rinse aid pipe (blue)	
516	048531	Tubo 12x19.5	Hose 12x19.5	
517	049379	Tubo 11.5x19.5 WRC	Hose 11.5x19.5 WRC	

LAVASTOVIGLIE SOTTOTAVOLO WT30H / WT30M / WT30C UNDERCOUNTER DISHWASHER WT30H / WT30M / WT30C				Grassetto = variazioni Bold Print = changes
Pos.	Cod.ric. Part No.	Descrizione	Description	Note / Notes
518	049287	Tube 25.5x32	Hose 25.5x32	
519	072393	Tube 4x7.4	Hose 4x7.4	
520	0L0786	Tube 8x12	Hose 8x12	
522	046878	Fascetta a vite 35 -50	Hose clamp 35-50	
523	048824	Ghiera Supp. Getti Sup.	Ring nut	
524	048126	Fascetta a vite 13 -20	Hose clamp 13-20	
525	0L0750	Guarnizione boccia sale	Salt container gasket	
526	0L0110	Guarnizione Supp. Getti Sup.	Gasket	
527	047578	Fascetta 26-38	Hose clamp 26-38	
528	0L1488	Tube scarico addolcitore	Drain hose	
529	0L0367	Fascetta D=33	Hose clamp D=33	
530	049260	Condensatore per pompa risc.	Rinse pump capacitor	6,3 µF
531	0L0201	Fascetta	Hose clamp	
532	048290	Perno risciacquo	Pin; for rinse jets	
533	048716	Getti risciacquo	Rinse jet	Up to Ser. Nr.: 937
533	0L2095	Getti risciacquo	Rinse jet	From Ser. Nr.: 938
534	0L0598	Getti lavaggio	Washing arms	
535	048714	Tappo Getti risciacquo	Rinse jet plug	Up to Ser. Nr.: 937
536	048632	Rondella fermo lavaggio	Lock washer	
537	048401	Mozzo per Getti lavaggio	Hub	
538	048330	Ghiera Fiss. Supp. Getti	Ring nut	
539	048236	Guarnizione	Gasket	
540	048979	Sege	C-Clamp	
541	048820	Parzializzatore	Flow reducer	
542	048819	Supporto getti Inferiore	Jets support; lower	
543	0L0764	Assieme addolcitore	Water softener assembly	
544	0L0767	Scheda elettronica addolcitore	Water softener board	
545a	0L0765	Elettrovalvola addolcitore	Water softener solenoid valve	
545b	0L0766	Elettrovalvola addolcitore	Water softener solenoid valve	
546	0L1369	Sensore reed addolcitore	Water softener reed sensor	
547	0L0768	Cablaggio addolcitore	Water softener wiring harness	
548	049801	Iniettore detergente	Detergent injector	
550	048308	Trappola d'aria per pressostato	Air trap	
551	068642	OR 2062	O Ring 2062	
552	049268	Dado M14x1.5	Nut; M14x1.5	
555	0L0733	Tube alimentazione	Feeding hose	Up to Ser. Nr.: 851
555	0L1967	Tube alimentazione	Feeding hose	From Ser. Nr.: 852
556	0L0814	Fascetta D=18	Hose clamp D=18	
557	0L0769	Fascetta D=14	Hose clamp D=14	
558	0L0770	Fascetta D=8.8-9.3	Hose clamp D=8.8-9.3	
559	0L0815	Fascetta D=7.8-8.3	Hose clamp D=7.8-8.3	
560	0L1106	Fascetta D=14,4-15,1	Hose clamp D=14,4-15,1	
562	0L0771	Fascetta D=11	Hose clamp D=11	
564	049904	Tube pressostato	Pressure switch hose	
565	049881	Pressostato	Pressure switch	
566	0L0083	Fascetta D=9.3-9.9	Hose clamp D=9.3-9.9	

LAVASTOVIGLIE SOTTOTAVOLO WT30H / WT30M / WT30C UNDERCOUNTER DISHWASHER WT30H / WT30M / WT30C				Grassetto = variazioni Bold Print = changes
Pos.	Cod.ric. Part No.	Descrizione	Description	Note / Notes
567	0L0082	Fascetta D=7.3-7.8	Hose clamp D=7.3-7.8	
571	0L0349	Assieme tappo	Plug assembly	
572	049419	Tubo; interno, pompa detergente	Hose; internal, detergent pump	
573	049418	Tubo; interno, pompa brillantante	Hose;internal, rinse aid pump	
580	0L0262	Riduzione M.3/4" - F.1/2"	Adapter M.3/4" - F.1/2"	
581	0L0263	Manicotto F.3/4"	Coupling F.3/4"	
582	0L0264	Doppia valvola di non ritorno	Double check valve	
583	0L0752	Guarnizione D=27x40	Gasket D=27x40	
584	0L0903	Dado fissaggio addolcitore	Water softener fixing nut	
585	0L0747	Coperchio	Cover	
586	0L0478	Connessione	Connection	
587	0L0349	Assieme tappo	Plug assembly	
588	068121	Ass.filtro 3/4 G	Filter	
589	049201	Guarnizione	GASKET; DIAM 3/4	
590	072457	Nipplo ottone 3/4" - 3/4"	Brass nipple 3/4" - 3/4"	
591	0L0477	Portagomma	Fitting	
592	0L0569	Elettrovalvola	Electric valve	
593	0L0479	Nipplo ottone 3/4"- 3/8"	Brass nipple 3/4"- 3/8"	
594	049201	Guarnizione	GASKET; DIAM 3/4	Up to Ser. Nr.: 851
594	0L1945	Guarnizione	GASKET; DIAM 3/4	From Ser. Nr.: 852
595	0L0169	Parzializzatore; 5L/min	Flow reducer; 5L/min	
596	0L0495	Chiocciola	Shell	
597	0L0492	Girante	Impeller	
598	0L0489	Tenuta	Sharftsealing	
599	0L0497	Flangia	Flange	
600	048853	Nasello per vasca	Spigot; air relief	
601	049268	Dado ES.M14X1,5	Nut; M14x1,5	
602	068642	OR 3062; 2,62X15,54	O Ring	
603	046946	Fasc. Torro. W2 8-12/7,5 IVP	Hose clamp 8-12	
		Pagina 7: Componenti elettrici	Page 7: Electrical components	ill. 611804p7_USA
400	0L1943	Guarnizione display	Display gasket	From Ser. Nr.: 743
401	0L0279	Interfaccia utente	User Interface	Up to ser. nr.: 421
401	0L0538	Interfaccia utente	User Interface	From ser. nr.: 422 Up to ser. nr.: 523
401	0L0726	Interfaccia utente	User Interface	From ser. nr.: 524 Up to Ser. Nr.: 622
401	0L1241	Interfaccia utente	User Interface	From Ser. Nr.: 623 Up to Ser. Nr.: 742
401	0L1565	Interfaccia utente	User Interface	From Ser. Nr.: 743
402	002670	Prolunga pulsante	Extension plug	Up to Ser. Nr.: 742
403	0L1871	Sensore reed	Reed sensor	

LAVASTOVIGLIE SOTTOTAVOLO WT30H / WT30M / WT30C UNDERCOUNTER DISHWASHER WT30H / WT30M / WT30C				Grassetto = variazioni Bold Print = changes
Pos.	Cod.ric. Part No.	Descrizione	Description	Note / Notes
404	049937	Ass. cruscotto	Control panel	a,b,e,f c,d,o,p: Up to Ser. Nr. 705
404	0L0779	Ass. cruscotto	Control panel	c,d,o,p,q,r - From Ser. Nr.: 706 Up to Ser. Nr.: 806
404	0L1658	Ass. cruscotto	Control panel	c,d,o,p,q,r - From Ser. Nr.: 807 Up to Ser. Nr.: 851
404	0L1904	Ass. cruscotto	Control panel	c,d,o,p,q,r - From Ser. Nr.: 852
404	0L0539	Ass. cruscotto	Control panel	g,h,m,n - Medical line i,l: Up to Ser. Nr. 705
404	0L1401	Ass. cruscotto	Control panel	i,l - From Ser. Nr. 706 Up to Ser. Nr.: 806
404	0L1659	Ass. cruscotto	Control panel	i,l - From Ser. Nr. 807
405	0L0032	Membrana adesiva	Membrane	a,b,c,d,e,f,q,r Up to Ser. Nr.: 806
405	0L1650	Membrana adesiva	Membrane	a,b,c,d,e,f,q,r - From Ser. Nr.: 807 Up to Ser. Nr.: 851
405	0L1895	Membrana adesiva	Membrane	a,b,c,d,e,f,q,r - From Ser. Nr.: 852
405	0L0681	Membrana adesiva	Membrane	o,p
405	0L0281	Membrana adesiva	Membrane	g,h,i,l,m,n - Medical line Up to Ser. Nr.: 806
405	0L1652	Membrana adesiva	Membrane	g,h,i,l,m,n - Medical line From Ser. Nr.: 807
406	0L0540	Trasform. 30VA 180/254V	Transform. 30VA 180/254V	g,h,i,l,m,n
407	0L1567	Copertura interfaccia utente	User interface cover	From Ser. Nr.: 743
409	0L1412	Scheda madre	Main board	Not for "q,r" - Up to Ser. Nr.: 820
409	0L1811	Scheda madre	Main board	Not for "q,r" - From Ser. Nr.: 821
409	0L1411	Scheda madre	Main board	q,r - Up to Ser. Nr.: 820
409	0L1812	Scheda madre	Main board	q,r - From Ser. Nr.: 821
411	0L0111	Morsettiera Princ.	Junction box	
412	048429	Fissaggio Res. Vasca	Bracket	
413	0L0424	Res. Vasca 2,2 kW, 208V	Heating element; 2,2kW, 208V	a,c,e,g,i,m,o,q
413	0L0426	Res. Vasca 2,2 kW, 240V	Heating element; 2,2kW, 240V	b,d,f,h,l,n,p,r
414	0L0366	Supp Sensore	Support; sensor	
415	046376	OR 2037	O Ring	
416	049643	Sensore NTC	NTC sensor	
418	0E5037	OR 6225	O-Ring	
419	0L0428	Res. Flangiata 6kW 208V	Heating element 6kW 208V	a,c,e,g,i,m,o,q - Up to Ser. Nr.: 022
419	0L2244	Res. Flangiata 6kW 208V	Heating element 6kW 208V	a,c,e,g,i,m,o,q - From Ser. Nr.: 023
419	0L0429	Res. Flangiata 6kW 240V	Heating element 6kW 240V	b,d,f,h,l,n,p,r - Up to Ser. Nr.: 107
419	0L2459	Res. Flangiata 6kW 240V	Heating element 6kW 240V	b,d,f,h,l,n,p,r - From Ser. Nr.: 108
420	046376	OR 2037	O Ring	
421	0L0280	Premistoppa	Stuffing box	
422	049643	Sonda di Temperatura	Temperature sound	
423	049939	Guarnizione DX	Gasket right	Not for "q,r" - Up to Ser. Nr.: 806
423	0L0754	Guarnizione DX	Gasket right	q,r - Up to Ser. Nr.: 806
423	049925	Guarnizione DX	Gasket right	From Ser. Nr.: 807
424	049940	Guarnizione SX	Gasket left	Not for "q,r"- Up to Ser. Nr.: 806

LAVASTOVIGLIE SOTTOTAVOLO WT30H / WT30M / WT30C UNDERCOUNTER DISHWASHER WT30H / WT30M / WT30C				Grassetto = variazioni Bold Print = changes
Pos.	Cod.ric. Part No.	Descrizione	Description	Note / Notes
424	0L0753	Guarnizione SX	Gasket left	q,r - Up to Ser. Nr.: 806
424	049927	Guarnizione SX	Gasket left	From Ser. Nr.: 807
427	0L0603	Elettromagnete	Electromagnet	g,h,i,l,m,n
428	0L0543	Guarnizione elettromagnete	Electromagnet gasket	g,h,i,l,m,n
429	0L0544	Guarnizione cruscotto	Control panel gasket	g,h,i,l,m,n
490	0L0486	Cablaggio	Wiring harness	Not for : q,r
490	0L1415	Cablaggio	Wiring harness	q,r
490	0L0604	Cablaggio aggiuntivo	Additional wiring harness	g,h,i,l,m,n