

Ice Pro™ Automatic Ice Bagging and Dispensing System

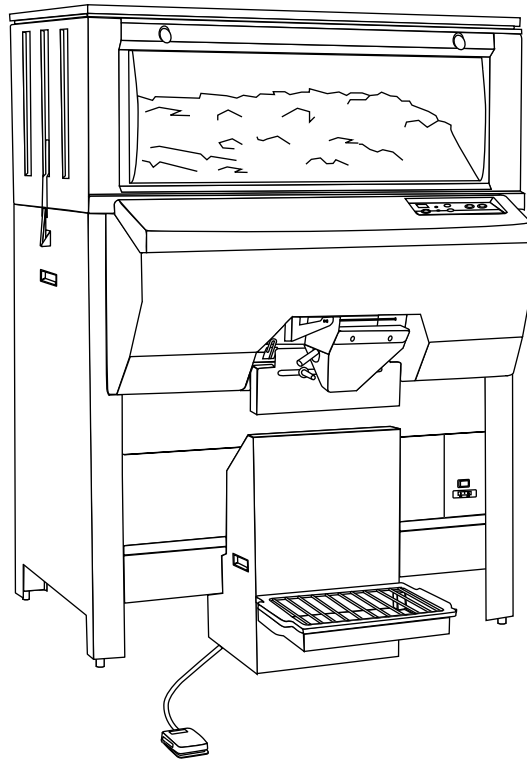
Order parts online
www.follettice.com

Installation and Service Manual

Manual de Instalación y Servicio del Dispensador y Embolsador Automático de Hielo Ice Pro

Manuel d'Installation et de Dépannage du Distributeur et Ensacheur Automatique de Glace Ice Pro

Ice Pro Automatisches Eisabfüll- und -ausgabesystem – Installations- und Wartungshandbuch



**Follett Corporation
Equipment Return Policy**

Follett equipment may be returned for credit under the following conditions:

1. The equipment is new and unused.
2. A return authorization number has been issued by customer service within 30 days after shipment.
3. Follett receives the equipment at the factory in Easton, PA within 30 days after issuance of the return authorization number.
4. The equipment must be returned in Follett packaging. If the packaging has been damaged or discarded, Follett will forward, at the customer's expense, new packaging.

Note: Return freight charges are the responsibility of the customer. If equipment is returned and is damaged because of improper packaging, Follett Corporation will not be held responsible.

Credit will be issued when:
The equipment has been inspected by Follett and deemed suitable to be returned to stock.

Note: A 15% restocking charge will be deducted from the credit. If the cost to return the product to stock exceeds 15%, the actual cost will be deducted.

Table of contents

Welcome to Follett Corporation	7
Specifications	8
Installation	10
Service	17
Bienvenido a Follett Corporation	19
Especificaciones	20
Instalación	22
Servicio	29
Bienvenue à Follett Corporation	31
Caractéristiques techniques	32
Installation	34
Dépannage	41
Willkommen bei der Follett Corporation	43
Spezifikationen	44
Installation	46
Wartung	53
Replacement parts	54
Piezas de repuesto	54
Pièces de rechange	54
Ersatzteile	54

Operation and cleaning instructions can be found in manual 00127886.

Las instrucciones de uso y limpieza se encuentran en el Manual 00127886.

Les instructions d'exploitation et de nettoyage sont disponibles dans le manuel 00127886.

Bedienungs- und Reinigungsanweisungen entnehmen Sie bitte dem Handbuch 00127886.

Welcome to Follett

Follett ice dispensers enjoy a well-deserved reputation for excellent performance, long-term reliability and outstanding after-the-sale support. To ensure that this dispenser delivers that same degree of service, we ask that you take a moment to review this manual before beginning the installation of the dispenser. Should you have any questions or require technical help at any point, please call technical service at (610) 252-7301.

Before you begin

After uncrating and removing all packing material, inspect the equipment for concealed shipping damage. If damage is found, notify the shipper immediately and contact Follett Corporation so that we can help in the filing of a claim, if necessary.



Important Cautions

- Storage area of dispenser contains mechanical, moving parts. Keep hands and arms clear of this area at all times.
- If access to this area is required, power to unit must be disconnected first.
- Ice is slippery. Maintain counters and floors around dispenser in a clean and ice-free condition.
- Ice is food. Follow recommended cleaning instructions to maintain cleanliness of delivered ice.
- Access to service areas is restricted to persons having knowledge and practical experience of the appliance, in particular as far as safety and hygiene are concerned.
- Should local codes require a hard-wired connection and/or shielded wiring, eliminate the cord(s) and plug(s) and follow the appropriate wiring diagram.
- Dispenser can accommodate most cube/cubelet ices up to 26mm (1") square. Crushed, flake, or nugget ice cannot be used. Use of these ices can jam dispenser and void warranty. For questions about ice compatibility, call customer service at (610) 252-7301.
- Always disconnect power before cleaning or servicing the dispenser.
- Failure to remove all sanitizer may result in health hazard.

Specifications

Electrical

Each icemaker and dispenser requires separate circuit. Equipment ground required.

Standard electrical – 230V, 50Hz, 1 phase, Max. fuse – 5 amps, 15 amp circuit. Cord provided.

Plumbing

Drain 1" PVC FPT for hopper drain

Note: Drains should be hard piped and insulated. Maintain at least 1cm per 31cm (1/4" per foot) run slope on drain line run.

Temperature

Ambient temperature range: 10°C (50°F) minimum; 38°C (100°F) maximum.

Clearance, installation and access information

The dispenser must be level in both directions. The dispenser is to be installed in a location where use and maintenance is restricted to trained personnel. The supply cord plug must be accessible.

Door entry Installation sites must have an unobstructed path to installation location with door openings no less than 870mm (34.25").

Service clearance A minimum of 305mm (12") to left of unit is necessary for service.

Ice type

Dispenser can accommodate most cube/cubelet ices up to 26mm (1") square. Crushed, flake, or nugget ice cannot be used. Use of these ices can jam dispenser and void warranty. For questions about ice compatibility, call technical service at (610) 252-7301.

Icemaker weight limit

Icemaker(s) mounted on thin top may not exceed 272kg (600 lbs).
Icemaker(s) mounted on thick top may not exceed 590kg (1300 lbs).

Container sizes

Standard unit accommodates bag sizes up to 9kg (20 lbs)/696mm (27.35").

Standard dispense chute compatible with carts and containers up to 750mm (29.5") high.

Optional 166mm (6.5") leg extension kit may be purchased to allow for up to 915mm (36") high carts and bags up to 18kg (40 lbs) and 860mm (33.85") high.

Bag pins

Bag pins may be adjusted to accommodate bag hole centers from 127mm (5") to 254mm (10").

Dimensions and clearances

- * Special top required for icemakers weighing more than 272kg (600 lbs). Add an additional 54mm (2.125") to height. Contact factory.
- ** Add 51mm (2") to depth and 4.5kg (10 lbs) to shipping weight when drain pan accessory is used.

Fig. 1

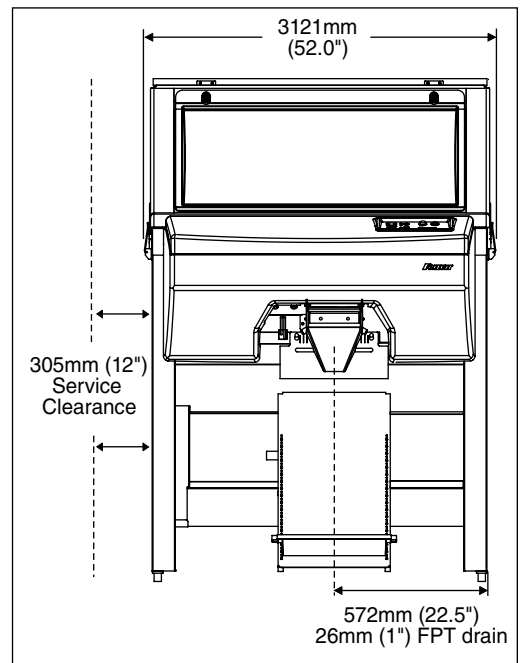
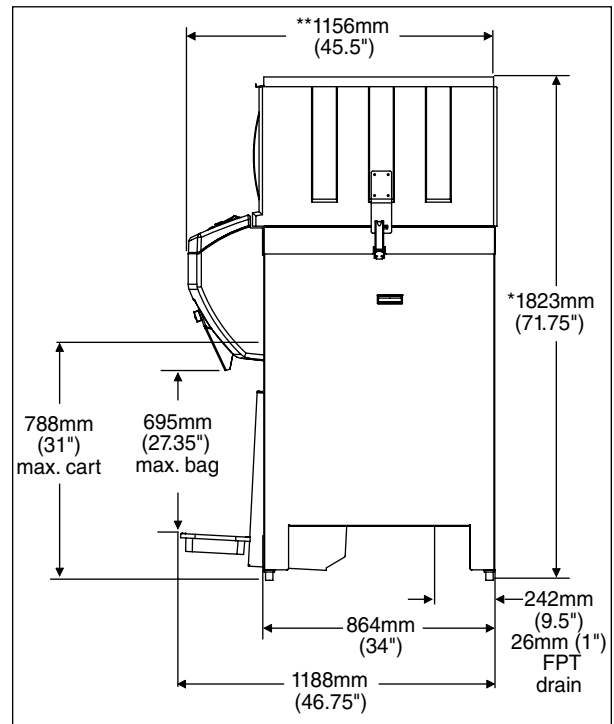


Fig. 2



Installation

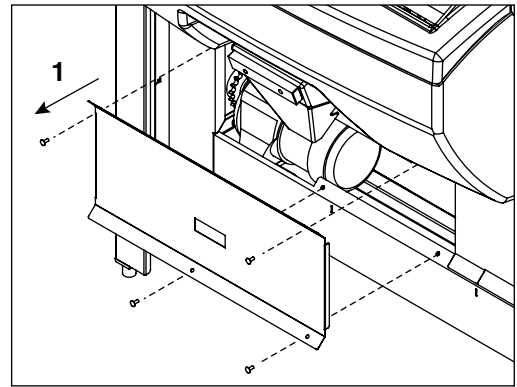
Door Entry

Some disassembly may be necessary to gain access through door openings with a width of 850mm (34.25") to 1156mm (45.5").

Note: Disassembly is **NOT** necessary for gaining entry through door openings larger than 1156mm (45.5")

1. Remove lower splash panel with four screws (Fig. 3.1).

Fig. 3



2. Detach the following plugs from the left side of control box:

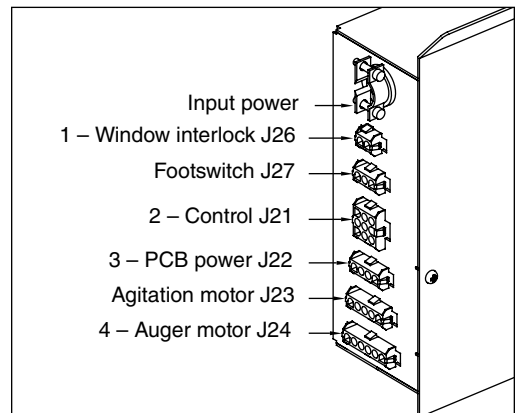
Window interlock J26 (Fig. 4.1)

Control J21 (Fig. 4.2)

PCB power J22 (Fig. 4.3)

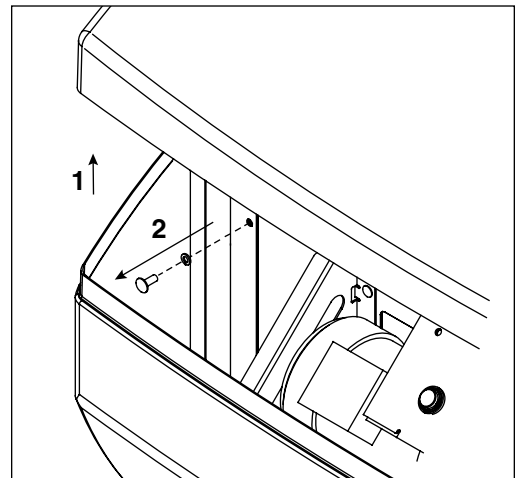
Auger motor J24 (Fig. 4.4)

Fig. 4



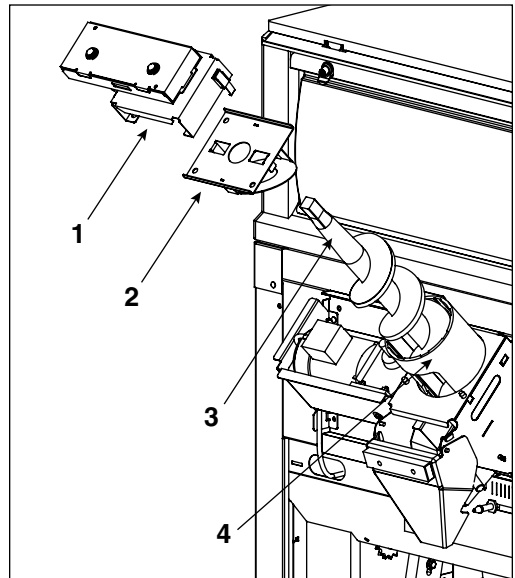
3. Remove control panel cover by lifting and detaching hook and loop tape (Fig. 5.1).
4. Remove lower cover with two thumbscrews, one from each side (Fig. 5.2).

Fig. 5



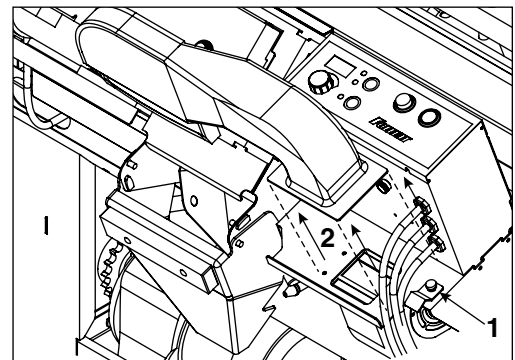
5. Remove transfer case with two latches (Fig. 6.1).
6. Remove ice deflection plate by lifting up (Fig. 6.2).
7. Remove auger by lifting up (Fig. 6.3).
8. Remove auger tube by lifting up. Note position of locating slot on lower end for reinstallation (Fig. 6.4).

Fig. 6



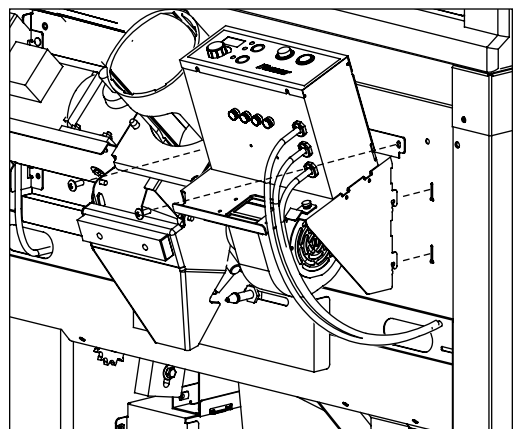
9. Remove blower duct by loosening thumb screw, rotating clip (Fig. 7.1) and lifting up (Fig. 7.2).

Fig. 7



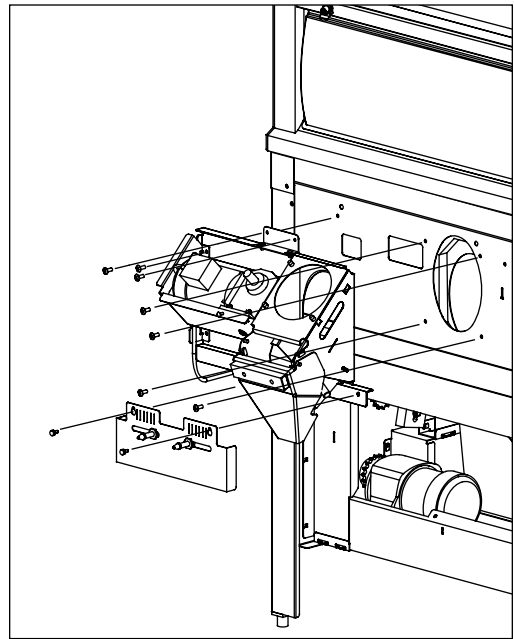
10. Remove control box/fan motor mounting assembly with two screws (Fig. 8).

Fig. 8



11. Remove auger motor bracket with 8 screws (Fig. 9).
12. Remove bag pin bracket with two thumbscrews (Fig. 9).

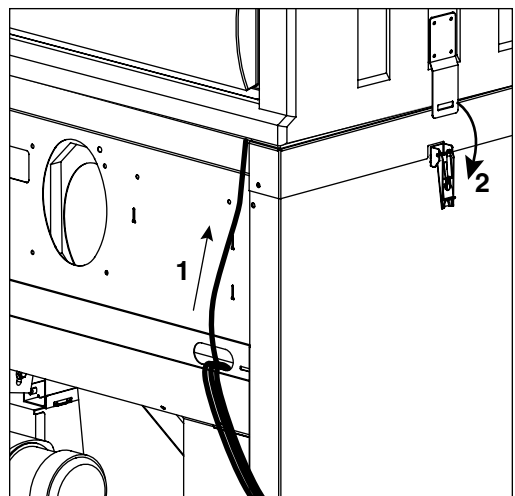
Fig. 9



13. The units width may be further reduced by removing the upper ice storage section (Fig. 10). This reduces unit width by 45mm (1.75") to an overall width of 864mm (34").

- a) Remove window.
- b) Pull window interlock switch cable through wire trough in upper right corner of base (Fig. 10.1).
- c) Cut tie wrap.
- d) Release latch from each side of ice storage section (Fig. 10.2).
- e) Lift upper ice storage section from base.

Fig. 10



Note: Reinstallation of auger tube requires locating slot be in the 7 o'clock position and upper end of auger be flush to auger motor bracket.

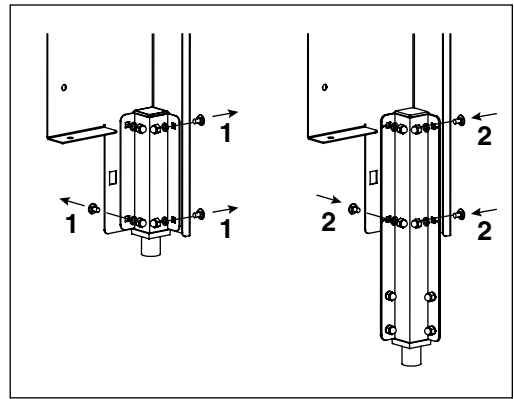
Locating unit

A minimum of 305mm (12") to the left of the unit must be unobstructed for service clearance (see dimensions and clearances).

Leg extension accessory

1. Raise unit off feet.
2. Remove each standard foot channel with four carriage bolts (Fig. 11.1).
3. Remove foot insert and cap insert from standard foot channel.
4. Align each accessory extension foot channel to the eight holes of leg.
5. Use the four carriage bolts removed in step 2 and four carriage bolts supplied with leg extension accessory to attach each extension channel to the eight holes of each leg (Fig. 11.2).
6. Place foot insert and cap insert into extension foot channel.
7. Verify each leg is in fully retracted position prior to lowering unit on feet.
8. Follow leveling instructions below.

Fig. 11



Leveling

Leveling the unit is important for the proper operation of any top mounted icemaker. The dispenser is shipped with the legs in the fully retracted position. Each leg may be adjusted independently by turning clockwise to lower the leg or counterclockwise to raise the leg.

Utility connections

Drain

Drain connection is made to the 1" FPT PVC fitting (Fig. 12). Leave a minimum of 1cm per 31cm run (1/4" per foot) slope on drain line run. Insulate the entire run length to prevent condensation from forming on outside of drain line.

Note: Avoid excessive tightening force when connecting to this fitting.

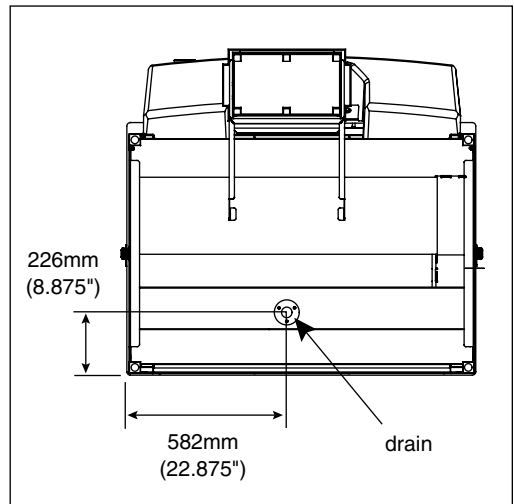
Note: Do not apply excessive heat if any sweating of fittings is necessary. Heat conduction through metal may melt threads in plastic drain.

Electrical

Make electrical connections in accordance with local and NEC codes. Each icemaker and dispenser requires separate circuit. Equipment ground required.

Standard electrical – 230V, 50Hz, 1 phase. Max. fuse – 5 amps, 15 amp circuit. Cord provided.

Fig. 12



Foot pedal

The foot pedal is connected to the dispenser at the factory. Remove packaging and place on floor near bag stand on front of dispenser.

Bag wicket

Note: Bags must be placed behind rear stainless chute.

1. Move chute lever to down position (Fig. 13.1).
2. Transfer bags from wicket to bag pins by removing cardboard backing and sliding 15 to 20 bags onto pins at a time until posts are full (Fig. 13.2).
3. Return chute lever to up position (Fig. 14).

Sanitize

Follow cleaning and sanitizing instructions in manual 00127886.

Icemaker

Follow icemaker manufacturer's recommendations for installation.

Note: Icemaker(s) mounted on thin top may not exceed 272kg (600 lbs). Icemaker(s) mounted on thick top may not exceed 590kg (1300 lbs).

Adjustments

The installer should make the following initial adjustments to ensure proper operation of the dispenser.

1. Tie-down adjustment
 - a) Release latch on side of dispenser.
 - b) Rotate bolt clockwise to increase tension.
 - c) Engage latch and verify tension has been increased.

2. Bag stand

The bag stand platform may be raised or lowered to accommodate multiple bag sizes (Fig. 15). The bottom of bags should touch platform when adjustment is complete.

- a) Lift bag stand platform up and out of receiving slot on bag stand base.
- b) Insert bag stand platform in and down into next receiving slot above bottom of bag.

3. Dispense duration

In timed mode, the dispense duration dial of the control panel adjusts the length of time the unit dispenses ice.

- a) Rotate dial clockwise to lengthen dispense duration. Rotate counterclockwise to shorten dispense duration.
- b) Verify timed mode is selected.
- c) Press start button to test length of duration. Adjust as necessary.

Fig. 13

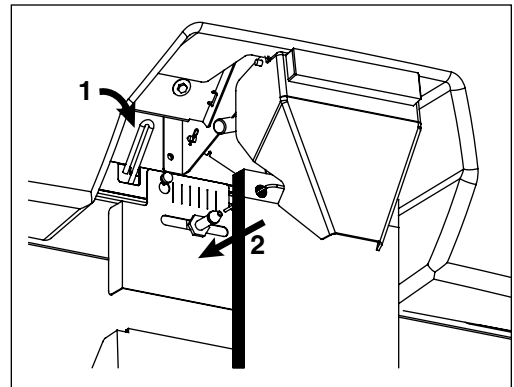


Fig. 14

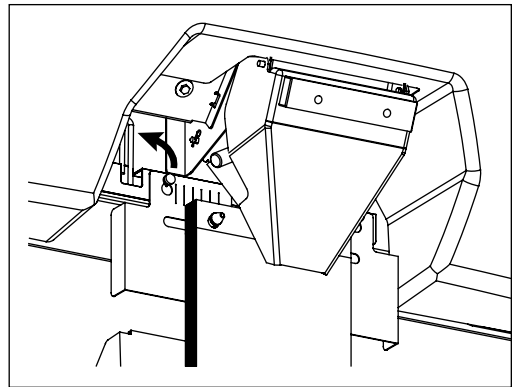
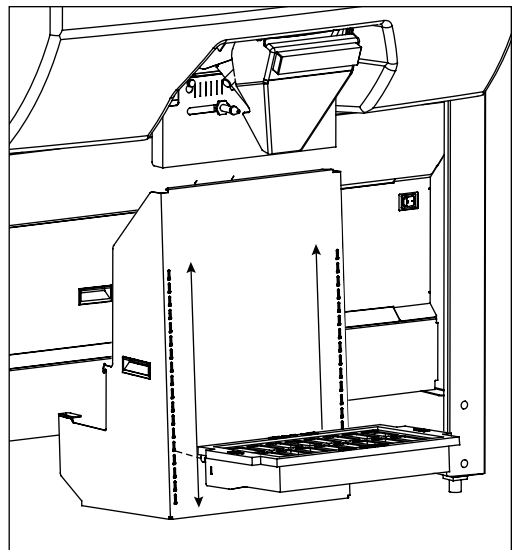


Fig. 15



Agitator removal

1. Remove all ice from dispenser.
2. Disconnect power to dispenser and icemaker.
3. Remove window from upper ice storage section.
4. Remove connection pin from left side of agitator bar (Fig. 16).
5. Move agitator bar toward left dispenser wall (Fig. 17.1) while pulling out the right side from bearing (Fig. 17.2).
6. Push right side of agitator bar toward rear right corner of bin (Fig. 18.1) while pulling out the left side from the drive shaft (Fig. 18.2).
7. Position pin end of agitator in window frame and spiral clockwise out opening (Fig 19).

Fig. 16

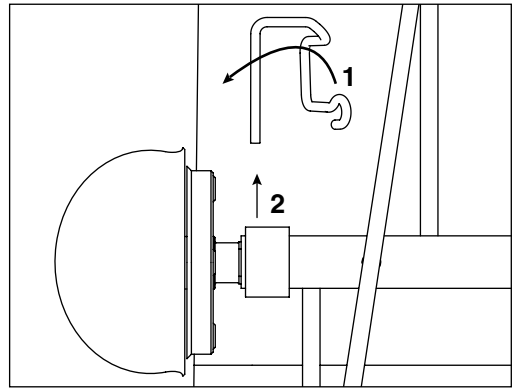


Fig. 17

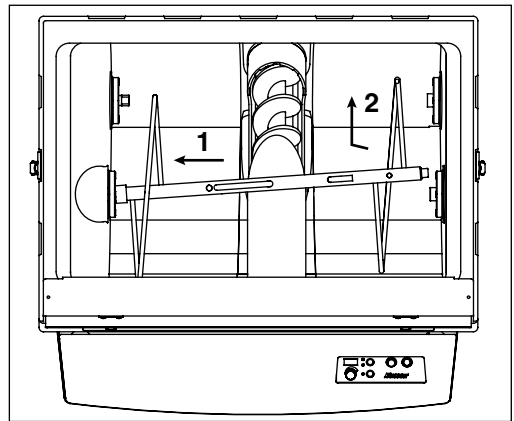


Fig. 18

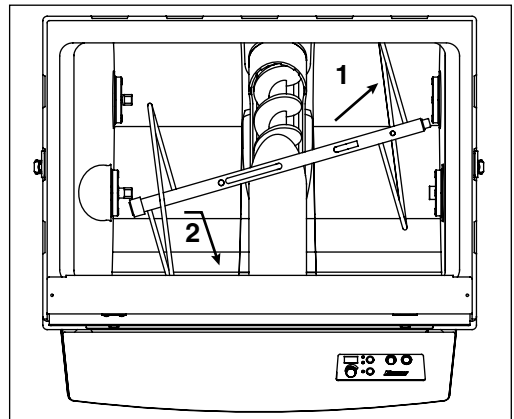
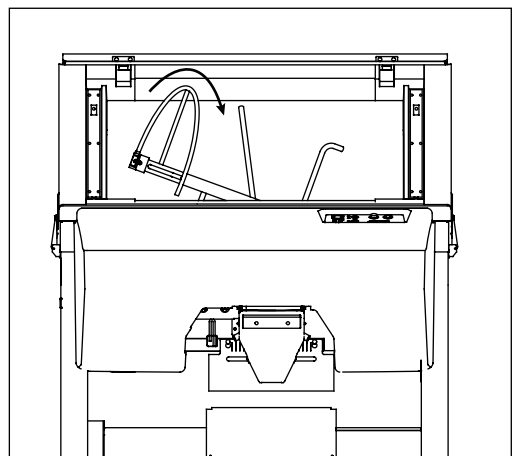
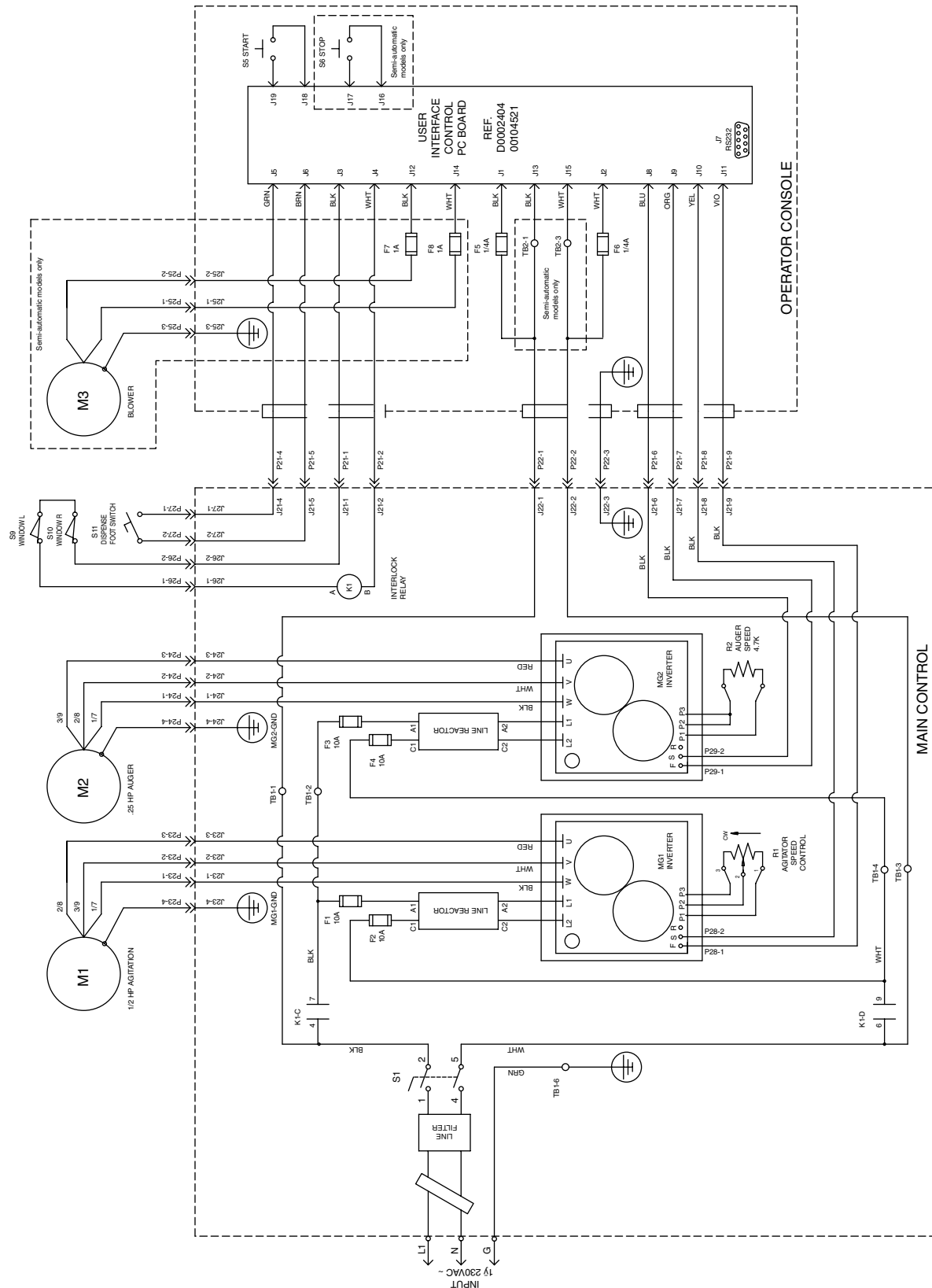


Fig. 19





Service

Before calling for service

1. Check that ice is in the dispenser and that congealed cubes are not causing a jam.
2. Check that circuit breaker and switches are in ON position.
3. Check that window is on securely. If ajar, dispenser will not operate.
4. Check that all drains are clear.

Troubleshooting guide

Symptom	Possible cause	Solution
Ice does not dispense	No ice in bin	Check operation of ice maker
	Dispense switch not closing	Check for contact closure
	Foot pedal not closing	Check for contact closure of switch inside foot pedal enclosure
	Auger motor not operating	<ol style="list-style-type: none"> 1. Check for power to motor 2. Check for output from corresponding inverter 3. Check fuses and power supply to LI & L2 of inverter 4. Jump terminals F & S on inverter. If motor runs, replace PC board <p>Note: Voltage from inverter and auger motor must be tested with an analog meter</p>
	Agitator motor not operating	<ol style="list-style-type: none"> 1. Check for power to motor 2. Check for output from corresponding inverter 3. Check fuses and power supply to LI & L2 of inverter 4. Jump terminals F & S on inverter. If motor runs replace PC board <p>Note: Voltage from inverter and auger motor must be tested with an analog meter</p>
	Both auger motor & agitator motor not operating	<ol style="list-style-type: none"> 1. Check that window is in place 2. Check that both window interlock switch are fully depressed 3. Check that interlock relay is energized
Bags tear off pins during filling	Bag platform not adjusted properly	Adjust bag platform to on notch above where bottom of bag contacts platform
	Poor quality bags	Try bags from another supplier
More than one bag opens when blower is on	Stainless steel chute is not resting against bags	Move chute lever to up position to locate stainless steel chute in the rear position
Bags won't open	Blower switch not on	Turn blower switch on
	Blower duct missing or out of position	Reinstall/re-position blower duct
	No power to blower motor	Check fuses and output power at operator control panel

If problems persist after following this basic troubleshooting guide, call Follett's technical service department at (610) 252-7301.

¡Bienvenido a Follett!

Las máquinas para dispensar hielo de Follett gozan de una muy merecida reputación por su excelente funcionamiento, confiabilidad por largo tiempo y la sobresaliente ayuda que le proporcionamos después de la compra. Para asegurar que esta unidad le rinde la más alta calidad de servicio, le rogamos que se tome un momento para leer este manual antes de comenzar la instalación de la máquina. En caso de que tenga cualquier pregunta o necesite ayuda técnica en cualquier momento, sírvase llamar a la División de Servicio Técnico al teléfono (610) 252-7301.

Antes de comenzar

Después de desembalar y remover todos los materiales de empaque, revise el equipo para ver si ha sufrido algún daño durante el transporte. Si encuentra daño, notifique a la agencia de transporte inmediatamente y póngase en contacto con Follett Corporation, de manera que podamos ayudarle a preparar el reclamo, si es necesario.



Precauciones importantes

- El área de almacenamiento del dispensador contiene partes mecánicas y de movimiento. Mantenga en todo momento las manos y brazos fuera de este lugar. Si necesita tener acceso a esta área, la alimentación eléctrica a la unidad debe desconectarse previamente.
- El hielo es resbaloso. Mantenga los mostradores y los pisos alrededor de la unidad limpios y libres de hielo.
- El hielo se consume con las bebidas. Siga las instrucciones de limpieza que se recomiendan para mantener la pureza del hielo que dispensa la unidad.
- En caso de que los códigos locales requieran conexión eléctrica rígida o cable blindado, elimine el cable y el enchufe que se incluyen y observe lo indicado en el diagrama de cableado apropiado.
- El acceso a las áreas de servicio está restringido a las personas que tienen conocimiento y experiencia práctica en el uso del equipo, en particular en lo que se refiere a seguridad e higiene.
- El dispensador puede acomodar la mayor parte de los cubos y cubitos de hielo hasta de una pulgada de lado.
- El hielo triturado, en escamas o el hielo granizado no deben usarse. Hielo en estas formas puede atascar el dispensador e invalida la garantía. Para resolver preguntas en cuanto a tipos de hielo compatibles con la unidad llame a la División de Servicio al Cliente al teléfono (610) 252-7301.
- Desconecte siempre la corriente eléctrica antes de limpiar o dar servicio al dispensador.
- El no remover completamente el desinfectante usado en la unidad puede resultar en un riesgo para la salud.

Especificaciones

Especificaciones Eléctricas

Toda máquina de fabricar o de dispensar hielo requiere su circuito individual. El equipo debe quedar conectado a tierra debidamente.

Corriente estándar – 230V, 50Hz, monofásica, fusible máximo de 5 amperios, circuito de 15 amperios. El cable de conexión viene incluido.

Plomería

Drenaje Tubería de PVC FPT de 26mm para el desagüe de la tolva.

Nota: Los drenajes deben ser de tubería rígida y aislada. Mantenga una pendiente en la tubería de por lo menos 1 cm por cada 31 cm.

Temperatura

Rango de temperatura ambiente: de 10° C (50° F) como mínimo hasta 38° C (100° F) como máximo.

Distancias libres, instalación e información de acceso

La unidad debe quedar nivelada en ambas direcciones. Debe quedar instalada en donde su utilización y mantenimiento estén limitados a personal entrenado. La toma para enchufar el cable de alimentación eléctrica debe quedar en lugar accesible.

Puerta de entrada

El sitio de instalación debe tener una entrada sin obstrucción hasta la ubicación de la instalación, con puertas de abertura de no menos de 870mm de ancho.

Distancia libre para servicio.

Para dar servicio a la unidad se requiere un espacio mínimo de 305mm a la izquierda de la unidad.

Tipo de hielo

El proveedor puede acomodar la mayor parte de tipos de hielo en cubos o en cubitos hasta cubos de 26mm de lado. No debe usarse hielo triturado, en escamas o hielo granizado. El uso de estos tipos de hielo puede atascar el proveedor e invalida la garantía. Para resolver preguntas en cuanto a compatibilidad de tipos de hielo, llame al Servicio Técnico al teléfono (610) 252-7301.

Límite de peso de la máquina de fabricación de hielo

La unidad o unidades de fabricación de hielo montadas sobre dispensador de tapa delgada no deben exceder los 272kg. La unidad o las unidades de fabricación de hielo montadas sobre dispensador de tapa gruesa no deben exceder los 590kg.

Tamaños de contenedores

La unidad estándar puede acomodar bolsas de hasta 9kg o 696mm.

El canalón de descarga estándar es compatible con carros y contenedores de hasta 750mm de altura.

Opcionalmente, se ofrece un juego de extensión de pata de 166mm que permite el uso de carros de hasta 915mm de altura y de bolsas de hasta 18kg u 860mm de altura.

Pernos para bolsa

Los pernos para bolsa pueden ajustarse para acomodar bolsas con perforaciones desde 127mm hasta 254mm de distancia entre centros.

Dimensiones y espacios libres

- * Se requieren tapas especiales para máquinas de fabricación de hielo que pesen más de 272kgs. Agregue 54mm a la dimensión de altura. Póngase en contacto con la fábrica.
- ** Agregue 51mm a la dimensión de profundidad y 4.5kg al peso de embalaje cuando la bandeja de drenaje se usa.

Fig. 1

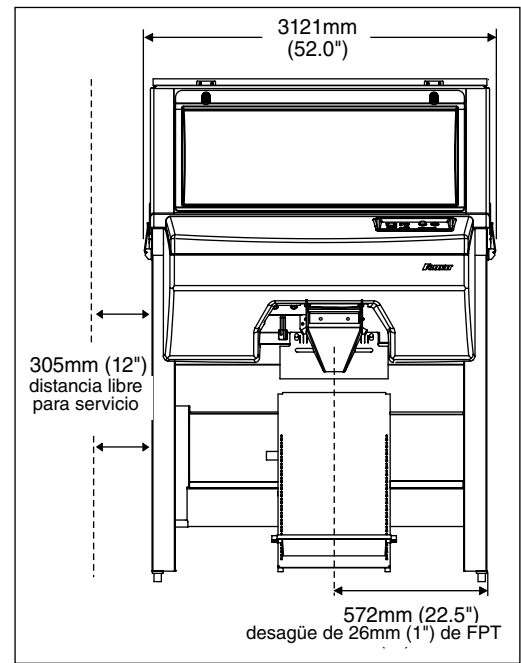
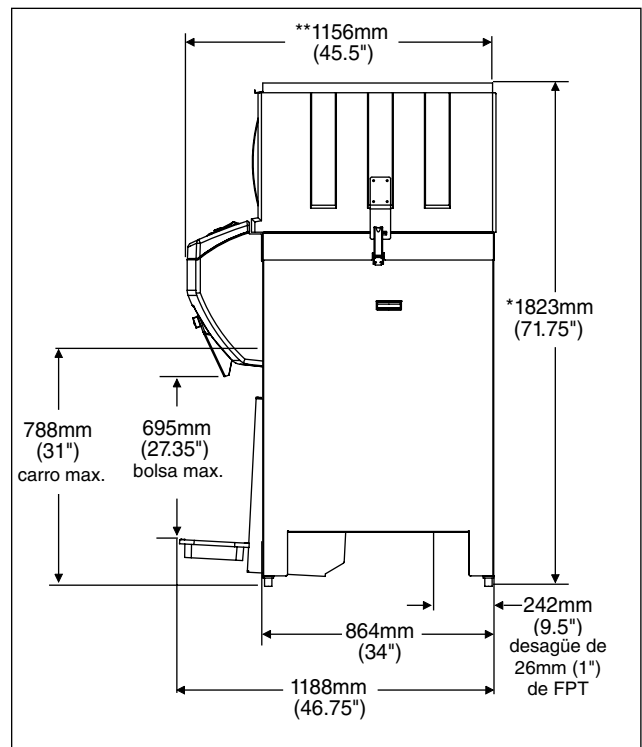


Fig. 2



Instalación

Puerta de Entrada

Puede ser necesario desarmar algún elemento de la unidad para poder pasarla a través de puertas con un ancho de 850mm hasta 1156mm.

Nota: NO es necesario desarmar ningún elemento para pasar la unidad a través de puertas de un ancho de más de 1156mm.

1. Remueva el panel inferior de salpique que está sujeto con 4 tornillos (vea la Fig. 3.1).

2. Desconecte los siguientes tacos del lado izquierdo de la caja de control:

Intercierre de ventana J26 (Fig. 4.1)

Control J21 (Fig. 4.2)

Alimentación del tablero de circuito impreso J22 (Fig. 4.3)

Motor del Sinfín J24 (Fig. 4.4)

3. Remueva la cubierta del panel de control levantando y desconectando el gancho y la cinta de velcro (Fig. 5. 1).
4. Remueva la cubierta inferior que está fijada con 2 tornillos de mariposa, uno de cada lado (Fig. 5. 2).

Fig. 3

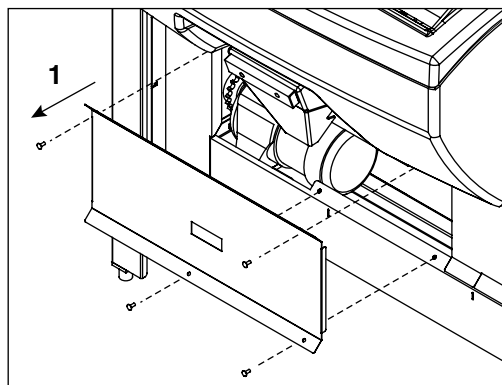


Fig. 4

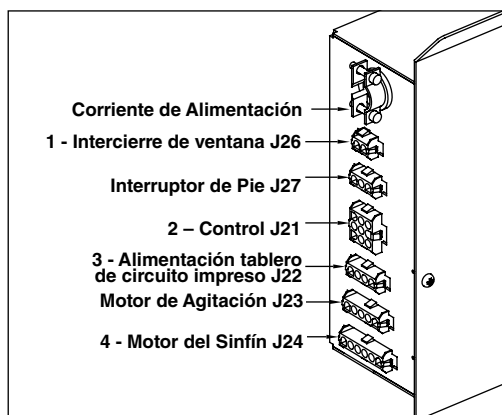
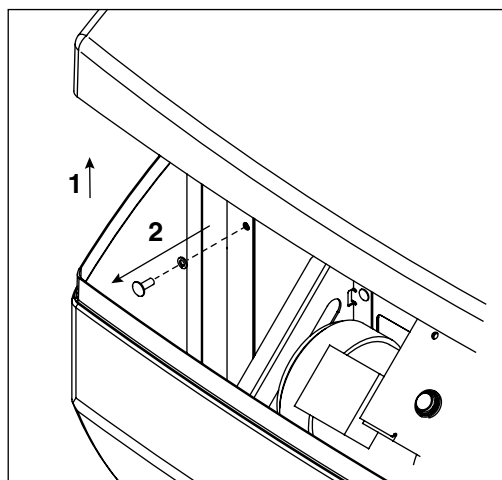
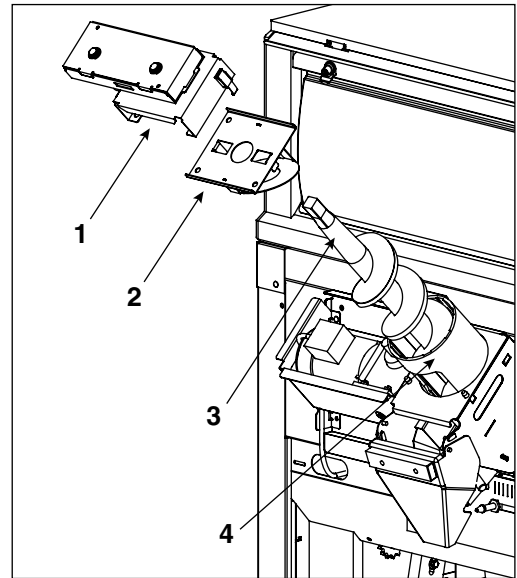


Fig. 5



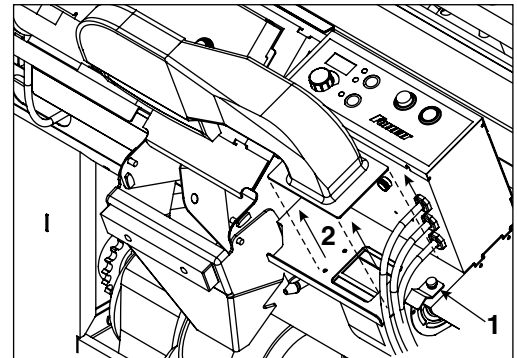
5. Remueva la caja de transferencia que esta fijada con dos aldabas (Fig. 6.1).
6. Remueva la placa de deflexión de hielo levantándola (Fig. 6.2).
7. Remueva el tornillo sinfín levantándolo (Fig. 6.3).
8. Remueva el tubo del tornillo sinfín levantándolo. Note la posición de la ranura en el extremo inferior para volver a instalarlo (Fig. 6.4).

Fig. 6



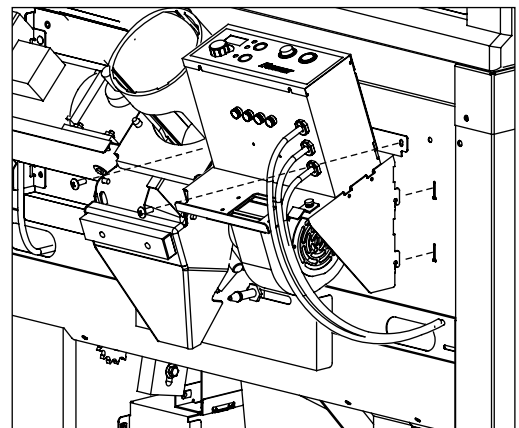
9. Remueva el conducto del ventilador aflojando el tornillo de mariposa, girando la abrazadera (Fig. 7.1) y levantándolo (Fig. 7.2).

Fig. 7



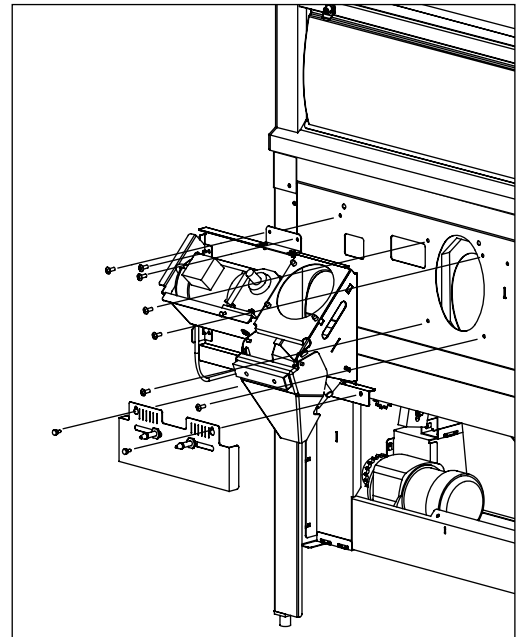
10. Remueva la caja de control y el conjunto de montaje del motor del ventilador que están sujetos con 2 tornillos (Fig. 8).

Fig. 8



11. Remueva el soporte del motor del tornillo sinfín que está sujeto con 8 tornillos (Fig. 9).
12. Remueva el soporte del perno para bolsas que está sujeto con 2 tornillos mariposa (Fig. 9).

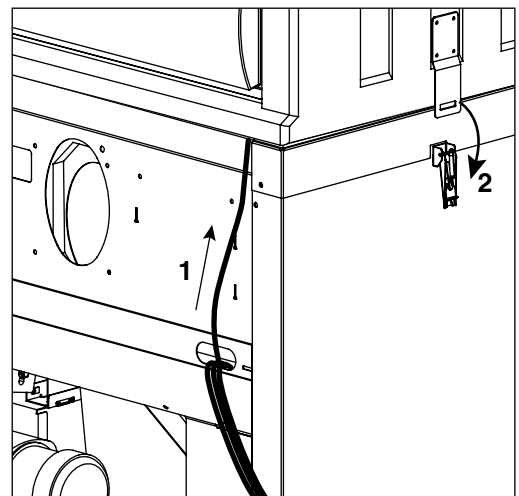
Fig. 9



13. El ancho de la unidad puede reducirse aún más removiendo la sección superior del almacenamiento de hielo (Fig. 10). Así, se reduce el ancho de la unidad en 45 mm para un ancho total de 864mm.

Fig. 10

- a) Remueva la ventana.
- b) Pase el cable del interruptor de intercierres de la ventana a través de la abertura para cable en la esquina superior derecha de la base (Fig. 10.1).
- c) Corte la amarra.
- d) Suelte la aldaba que se encuentra a cada lado de la sección de almacenamiento de hielo (Fig. 10.2).
- e) Levante la sección superior de almacenamiento de hielo removiéndola de su base.



Nota: Para volver a instalar el tubo del tornillo sinfín es necesario colocar la ranura en la posición de reloj de las 7:00 y el extremo superior del tornillo sinfín debe quedar a ras con el soporte del motor del tornillo sinfín.

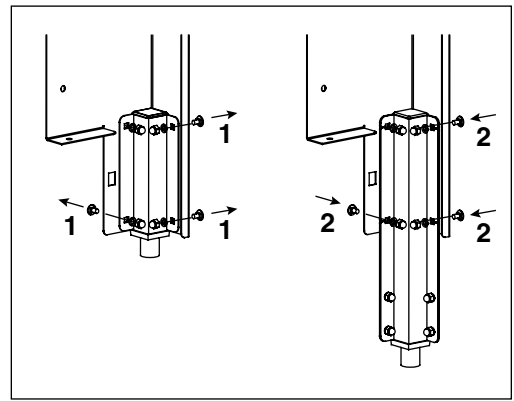
Colocación de la unidad

A la izquierda de la unidad debe quedar una luz libre mínima de 305mm para operaciones de servicio (vea los diagramas de dimensiones y espacios libres).

Accesorio de extensión de las patas

1. Levante la unidad y colóquela de manera que no descansa sobre las patas.
2. Remueva los canales estándar de cada pata que vienen fijados con cuatro pernos de carruaje (Fig. 11.1).
3. Remueva la sección interior de la pata y su correspondiente tapa del canal estándar de la pata.
4. Alinee cada canal accesorio de extensión de la pata con las ocho perforaciones de la pata.
5. Use los cuatro pernos de carruaje que removió en el Paso 2 y los cuatro pernos de carruaje que viene incluidos con el accesorio de extensión de las patas para fijar cada canal de extensión, pasando los pernos por las ocho perforaciones de cada pata (Fig. 11.2).
6. Coloque la sección interior de la pata y su tapa correspondiente introduciéndola en el canal de extensión de la pata.
7. Verifique que cada pata queda en posición totalmente retractada antes de volver a colocar la unidad sobre las patas.
8. Para nivelar la unidad siga las instrucciones descritas abajo.

Fig. 11



Nivelación

La nivelación de la unidad es factor importante en la operación correcta de cualquier máquina de fabricación de hielo montada encima de la unidad. El dispensador se embala para transporte con las patas en posición totalmente retractada. Cada pata debe ajustarse independientemente girándola en la dirección de las manecillas de reloj para bajar la pata o en la dirección contraria a las manecillas de reloj para levantar la pata.

Conexiones a los sistemas eléctricos y de drenaje

Desagüe

La conexión del desagüe al sistema de drenaje se hace por medio de una tubería de PVC FPT de 26mm (Fig. 12). Coloque la tubería con una inclinación mínima de 1 cm en 31 cm. Coloque aislamiento cubriendo la totalidad de la longitud de la tubería para evitar que se forme condensación en el exterior de la línea de drenaje.

Nota: Evite apretar excesivamente cuando se hace conexión a este accesorio

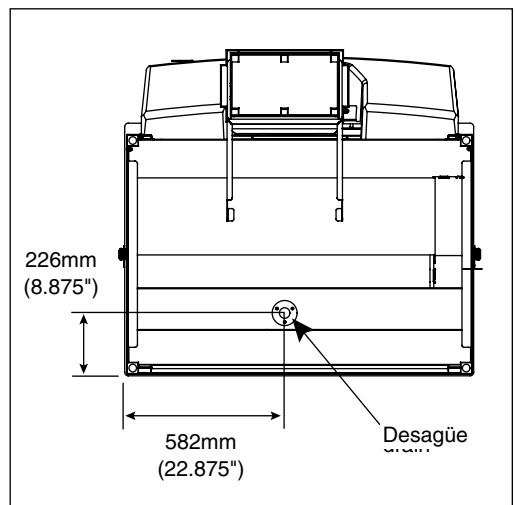
Nota: No aplique calentamiento excesivo, si se hace necesario calentar los accesorios para ajustarlos. La conducción del calor a través del metal puede fundir la rosca en el desagüe de plástico.

Sistema eléctrico

Haga todas las conexiones eléctricas de acuerdo con los requerimientos de NEC y los códigos locales. Tanto la máquina de fabricación de hielo como el dispensador requieren circuitos separados. Los equipos deben quedar apropiadamente conectados a tierra.

Corriente estándar – 230V, 50Hz, corriente monofásica, fusible máximo de 5 amperios, circuito de 15 amperios. El cable de alimentación viene incluido.

Fig. 12



Pedal de pie

El pedal de pie se ha instalado en el dispensador en fábrica. Remueva su material de empaque y colóquelo en el piso cerca al estante de bolsas, en frente del dispensador.

Barra para bolsas

Nota: Las bolsas deben colocarse detrás del canalón de acero inoxidable.

1. Mueva la palanca del canalón a la posición de abajo (Fig. 13.1).
2. Traslade las bolsas de la barra a los pernos para bolsas removiendo el respaldo de cartón y deslizando de 15 a 20 bolsas en los pernos y repitiendo la operación hasta que los postes queden llenos (Fig. 13.2).
3. Vuelva la palanca del canalón a su posición de arriba (Fig. 14).

Desinfección

Siga las instrucciones de limpieza y desinfección que se encuentran en el manual 00127886.

Máquina de Fabricación de Hielo

Siga las recomendaciones de instalación del fabricante de la máquina de fabricación de hielo.

Remarque: Si la máquina de fabricación de hielo se monta sobre la tapa liviana de la unidad, el peso de la máquina no debe exceder 272kg. Si la máquina de fabricación de hielo se monta sobre la tapa gruesa de la unidad, el peso de la máquina no debe exceder 590kg.

Ajustes

El instalador debe hacer los siguientes ajustes iniciales para asegurar la operación correcta del dispensador.

1. Ajuste de tensión en la aldaba
 - a) Suelte la aldaba en el costado del dispensador.
 - b) Gire el perno en la dirección de las manecillas de reloj para aumentar su tensión.
 - c) Enganche la aldaba y verifique que se ha aumentado la tensión.
2. Estante para las bolsas

La plataforma del estante de las bolsas puede subirse o bajarse para acomodar bolsas de diversos tamaños (Fig. 15). El fondo de las bolsas debe quedar tocando la plataforma cuando se ha terminado su ajuste.

 - a) Levante la plataforma del estante de las bolsas y sáquelo de la abertura en que encaja en la base del estante.
 - b) Mueva la plataforma del estante de las bolsas hacia abajo e introdúzcala en la abertura inmediatamente por encima del fondo de la bolsa.
3. Período de operación del dispensador

En la Modalidad de Tiempo Medido el dial de duración de operación de descarga en el panel de control fija la duración de la acción de dispensar hielo de la unidad.

 - a) Gire el dial en la dirección de las manecillas de reloj para aumentar la duración de este período. Gire en la dirección contraria de las manecillas de reloj para acortar el período.
 - b) Verifique que ha seleccionado la Modalidad de Tiempo Medido.
 - c) Oprima el botón de comienzo para probar la duración del período. Haga el ajuste que sea necesario.

Fig. 13

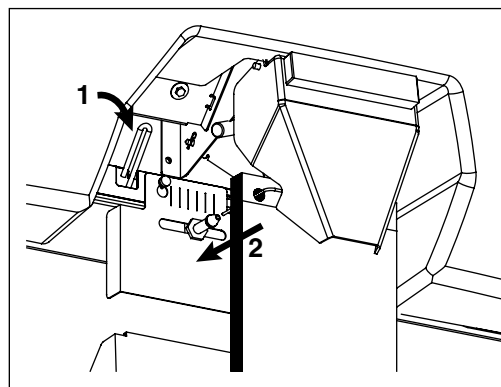


Fig. 14

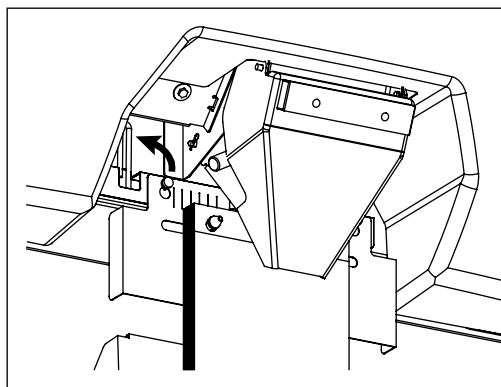
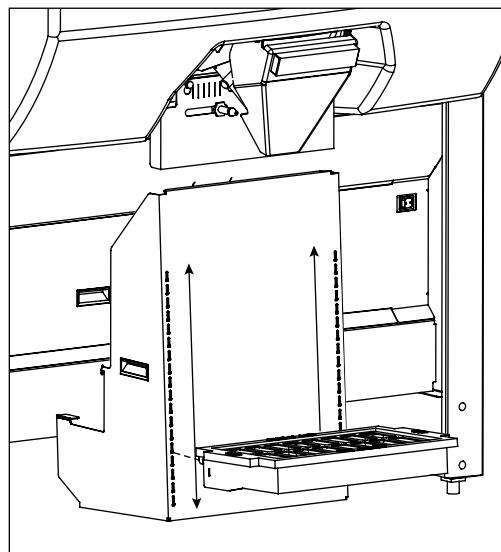


Fig. 15



Remoción del agitador

1. Remueva todo el hielo del dispensador.
2. Desconecte la corriente tanto del dispensador como de la máquina de fabricar hielo.
3. Remueva la ventana de la sección superior del almacenamiento de hielo.
4. Remueva el perno de conexión del lado izquierdo de la barra del agitador (Fig. 16).
5. Mueva la barra del agitador hacia la pared izquierda del dispensador (Fig. 17.1) al tiempo que tira hacia fuera para sacar del cojinete el lado derecho (Fig. 17.2).
6. Mueva el lado derecho de la barra del agitador hacia la esquina derecha de atrás del tanque (Fig. 18.1) al tiempo que saca del eje de impulsión el lado izquierdo de la barra (Fig. 18.2).
7. Coloque el extremo del perno del agitador sobre el marco de la ventana y, con movimiento de espiral, saque el agitador por la abertura (Fig. 19).

Fig. 16

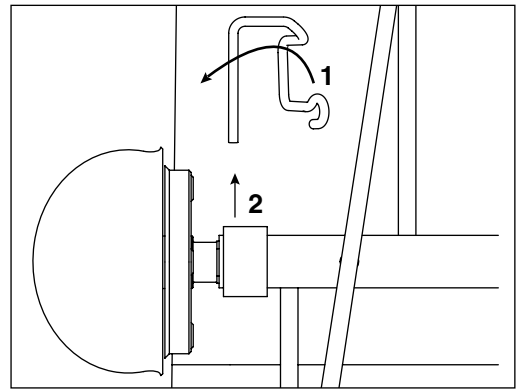


Fig. 17

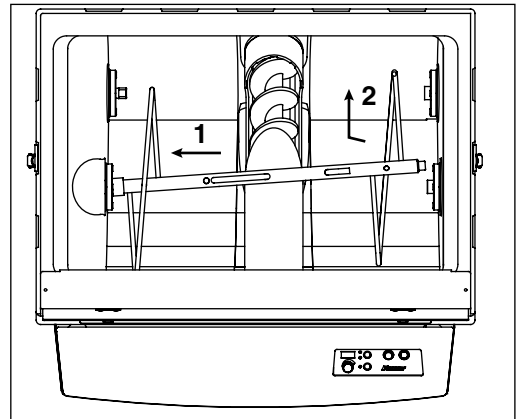


Fig. 18

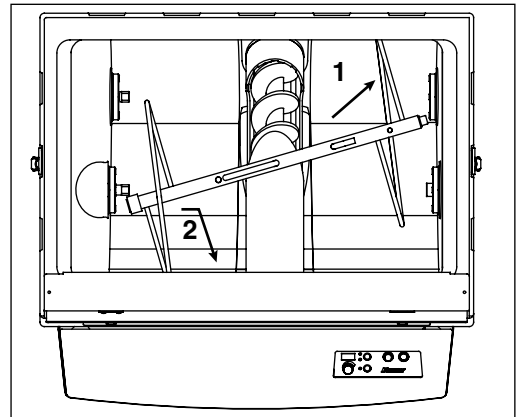
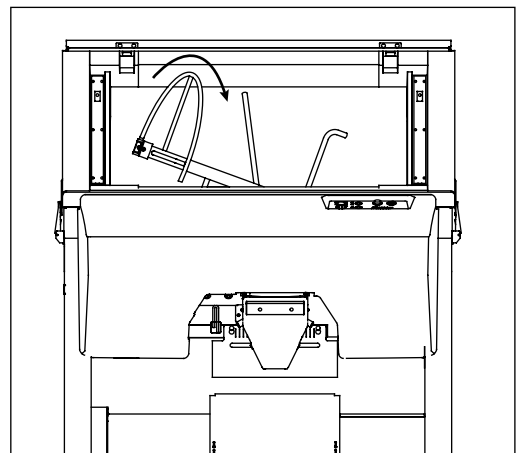
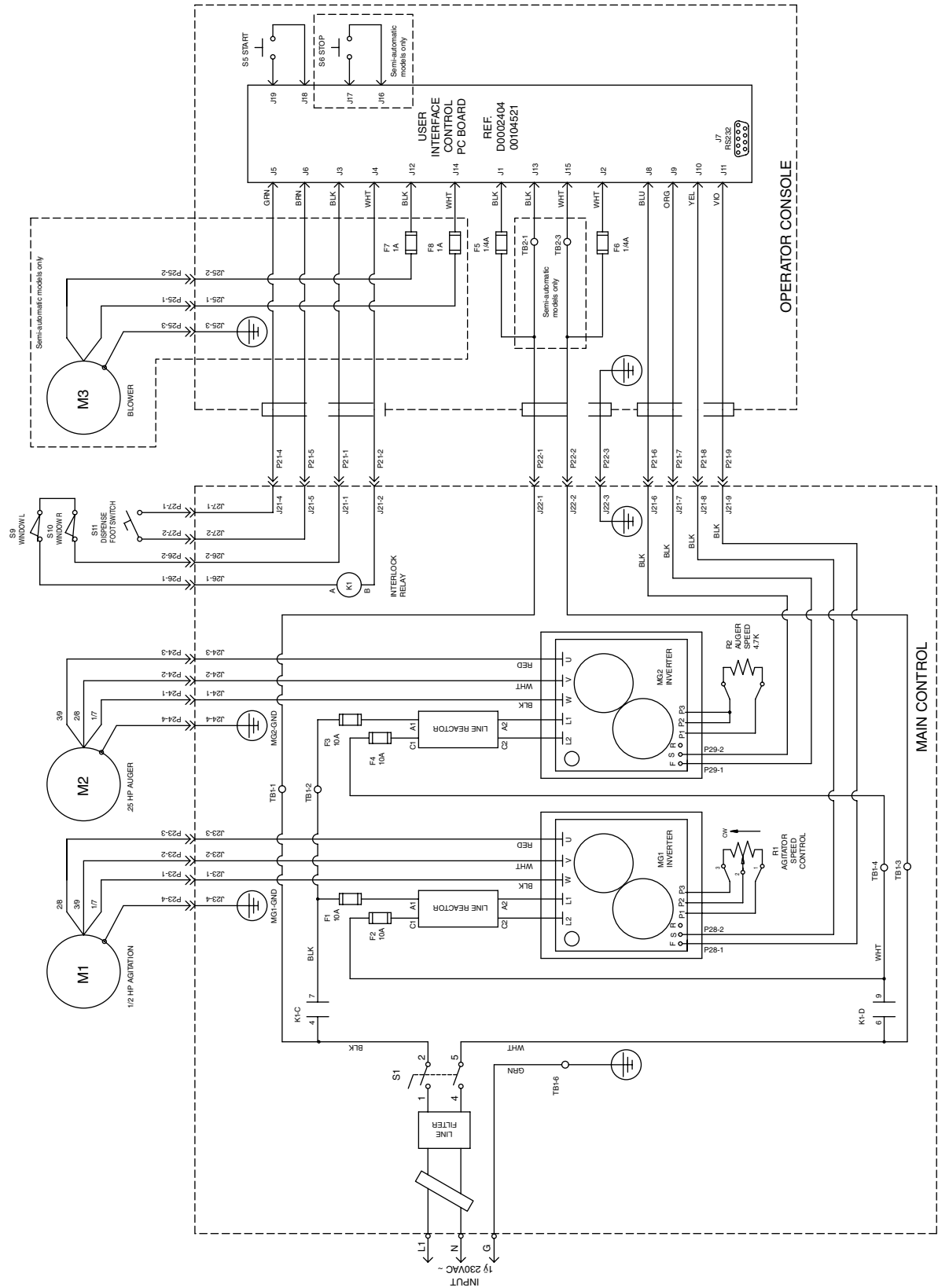


Fig. 19





Servicio

Antes de llamar para pedir servicio:

1. Verifique que haya hielo en el dispensador y que cubos que se hayan aglomerado no estén atascando la unidad.
2. Verifique que el interruptor de circuito y demás interruptores de la unidad estén en la posición de encendido "ON".
3. Verifique que la ventana esté debidamente asegurada. Si se encuentra entreabierta, el dispensador no podrá operar.
4. Verifique que todos los drenajes estén funcionando.

Resolución de Problemas

Síntoma	Posibles causas	Solución
El hielo no fluye.	<p>No hay hielo en el depósito.</p> <p>El interruptor del dispensador no está funcionando.</p> <p>El pedal no está funcionando.</p> <p>El motor del tornillo sinfín no está operando.</p> <p>El motor del agitador no está funcionando.</p> <p>Ninguno de los motores: ni el del tornillo sinfín y ni el del agitador están funcionando.</p>	<p>Revise la operación de la máquina de fabricación de hielo.</p> <p>Verifique el cierre de los contactos del interruptor.</p> <p>Verifique el cierre de los contactos del interruptor del pedal, dentro de su caja.</p> <ol style="list-style-type: none"> 1. Verifique que al motor le llega corriente. 2. Verifique la corriente de salida desde el inversor correspondiente. 3. Verifique los fusibles y el suministro de energía a L1 y L2 del inversor. 4. Conecte en corto circuito, los terminales F y S en el inversor. Si el motor opera, reemplace el tablero de circuito impreso. <p>Nota: Los voltajes del inversor y del motor del tornillo sinfín deben probarse con un medidor analógico.</p> <ol style="list-style-type: none"> 1. Verifique que al motor le llega corriente. 2. Verifique la corriente de salida desde el inversor correspondiente. 3. Verifique los fusibles y el suministro de energía a L1 y L2 del inversor. 4. Conecte en corto circuito, los terminales F y S en el inversor. Si el motor opera, reemplace el tablero de circuito impreso. <p>Nota: Los voltajes del inversor y del motor del agitador deben probarse con un medidor analógico.</p> <ol style="list-style-type: none"> 1. Verifique que la ventana está bien cerrada. 2. Verifique que ambos interruptores de interciere de la ventana están completamente deprimidos. 3. Verifique que el relé de interciere está energizado.
La bolsa se rasga por los pernos durante el llenado.	<p>La plataforma de las bolsas no se ha ajustado apropiadamente.</p> <p>Bolsas de mala calidad.</p>	<p>Ajuste la plataforma de bolsas a una muesca por encima de donde el fondo de la bolsa hace contacto con la plataforma.</p> <p>Ensaye bolsas de otro fabricante.</p>
Más de una bolsa se abre cuando el ventilador está funcionando.	El canalón de acero inoxidable no está descansando contra las bolsas.	Mueva la palanca del canalón a su posición de arriba para colocar el canalón de acero inoxidable en la posición de atrás.
Las bolsas no se abren.	<p>El interruptor del ventilador no está encendido.</p> <p>El conducto del ventilador no se ha colocado o no está en la posición apropiada.</p> <p>No llega corriente al motor del ventilador.</p>	<p>Ponga el interruptor del ventilador en la posición de encendido.</p> <p>Reinstale y vuelva a colocar el conducto del ventilador.</p> <p>Verifique los fusibles y la salida de potencia en el panel de control del operador.</p>

Si los problemas persisten después de haber seguido esta guía básica de resolución de problemas, llame al Departamento de Servicio Técnico de Follett en el teléfono (610) 252 7301.

Bienvenue à Follett!

Les distributeurs de glace de Follett jouissent d'une réputation d'excellence bien méritée et d'une fiabilité à toute épreuve ainsi que d'un service après-vente exceptionnel. Afin d'assurer la pérennité du distributeur et pour que ce dernier vous offre une qualité de service constante, veuillez prendre le temps de lire cette notice avant de procéder à son installation. Dans l'éventualité où vous auriez des questions ou auriez besoin d'une assistance technique à un moment quelconque, veuillez contacter notre service technique au (610) 252-7301.

Avant de commencer

Après avoir déballé et retiré le matériau d'emballage, vérifiez l'équipement afin de vous assurer qu'il n'a pas été endommagé pendant le transport. Si l'équipement est endommagé, informez immédiatement le transporteur et contactez Follett Corporation afin que nous puissions vous aider à effectuer une réclamation si nécessaire.



Précautions importantes

- Le compartiment réservé au stockage de la glace comporte des pièces mécaniques en mouvement. Conservez les mains et les bras loin de cette zone à tout moment. Si vous devez accéder à cet espace, débranchez tout d'abord le cordon d'alimentation électrique alimentant la machine.
- La glace est glissante. Faites en sorte que les comptoirs et les sols autour du distributeur demeurent propres et dépourvus de glace.
- La glace est un aliment comestible. Veuillez suivre les instructions de nettoyage afin que la glace distribuée soit toujours propre et de bonne qualité.
- Si les codes locaux en vigueur requièrent un système câblé ou si le câblage doit être blindé, retirez le (ou les) cordon(s) et fiche(s) et respectez le schéma de câblage adéquat.
- L'accès aux zones d'entretien est réservé aux personnes ayant une connaissance et une expérience pratique de l'appareil, surtout en ce qui concerne la sécurité et l'hygiène.
- Le distributeur peut accueillir la plupart des glaçons pouvant atteindre 26mm de diamètre. La glace pilée, en forme de copeaux ou de pépites ne peut être utilisée avec ce distributeur. En effet, ce type de glace risque de bloquer le distributeur et ceci annulera la garantie. Si vous avez des questions concernant la compatibilité de certains glaçons, appelez notre service-après vente au (610) 252-7301.
- Veuillez toujours éteindre la machine et débrancher le cordon d'alimentation électrique avant de nettoyer ou de réparer le distributeur.
- Ne pas retirer toute trace du désinfectant risque d'entraîner des dangers pour la santé.

Caractéristiques techniques

Installation électrique

Chaque machine à glace et distributeur nécessitera un circuit séparé. L'équipement doit être mis à la terre.

Courant standard : 230V, 50Hz, monophasé, fusible maximum de 5 ampères, circuit de 15 ampères. Cordon électrique fourni.

Plomberie

Évacuation Tuyau PVC FPT de 26mm pour trémie

Remarque: La conduite d'évacuation doit être en tuyau rigide et isolée. Veillez à conserver une descente d'au moins 1 cm pour chaque 31 cm de tuyau sur la conduite d'évacuation.

Température

Plage de température ambiante: 10°C (50°F) minimum; 38°C (100°F) maximum.

Dégagement, installation et accès

Le distributeur doit être à niveau dans les deux sens. Le distributeur doit être installé dans un endroit où son utilisation et son entretien ne pourra être effectuée que par du personnel qualifié. La prise du cordon d'alimentation doit être facilement accessible.

Entrée de porte

Le site d'installation doit comporter un chemin direct et sans obstacles jusqu'à l'emplacement réservé à l'installation avec des portes pouvant s'ouvrir à 870mm au minimum.

Dégagement pour entretien et maintenance

Il est nécessaire de laisser un espace de 305mm à gauche de la machine.

Type de glace

Le distributeur peut accueillir la plupart des glaçons pouvant atteindre 26mm de diamètre. Ne pas utiliser de glace pilée, en forme de copeaux ou de pépites avec ce distributeur. En effet, ce type de glace risque de bloquer le distributeur et ceci annulera la garantie. En cas de questions concernant la compatibilité de certains glaçons, appelez notre service-après vente au (610) 252-7301.

Limite de poids des machines à glace

La (ou les) machine(s) à glace montée(s) sur un distributeur à toit fin ne doivent pas dépasser 272kg.

La (ou les) machine(s) à glace montée(s) sur un distributeur à toit épais ne doivent pas dépasser 590kg.

Dimensions des contenants

Le distributeur et ensacheur automatique standard peut accueillir des sacs pouvant atteindre 9kg ou 696mm de hauteur.

Le conduit de distribution est compatible avec les chariots et contenants pouvant atteindre 750mm de hauteur.

Il vous est possible d'acheter le kit de rallonges de pieds de 166mm afin de pouvoir accueillir des chariots de 915mm de hauteur et des sacs de 18kg et de 860 de hauteur.

Broches du porte-sacs

Les broches du porte-sacs peuvent être réglées afin de pouvoir accueillir des sacs de 127 à 254mm de large.

Dimensions et espaces de dégagement

- * Le distributeur de glace doit être équipé d'un toit spécial si la machine à glace que vous désirez installer pèse plus de 272kg. Ajoutez 54mm de hauteur et contactez l'usine.
- ** Ajoutez 51mm de profondeur et 4,5kg au poids d'expédition lorsque vous utilisez le bac d'égouttage.

Fig. 1

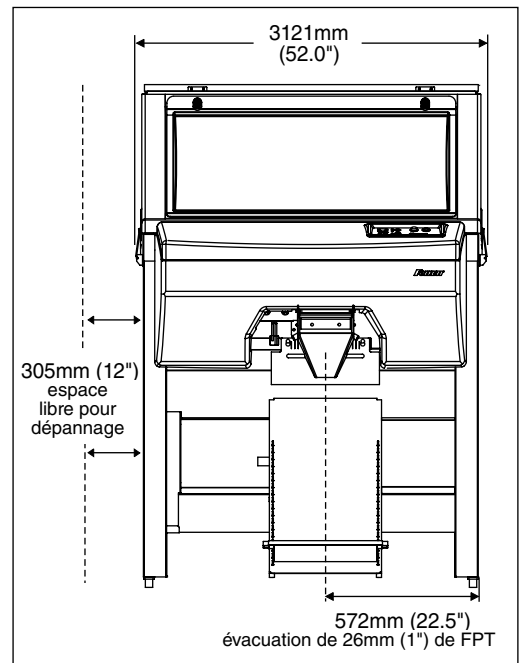
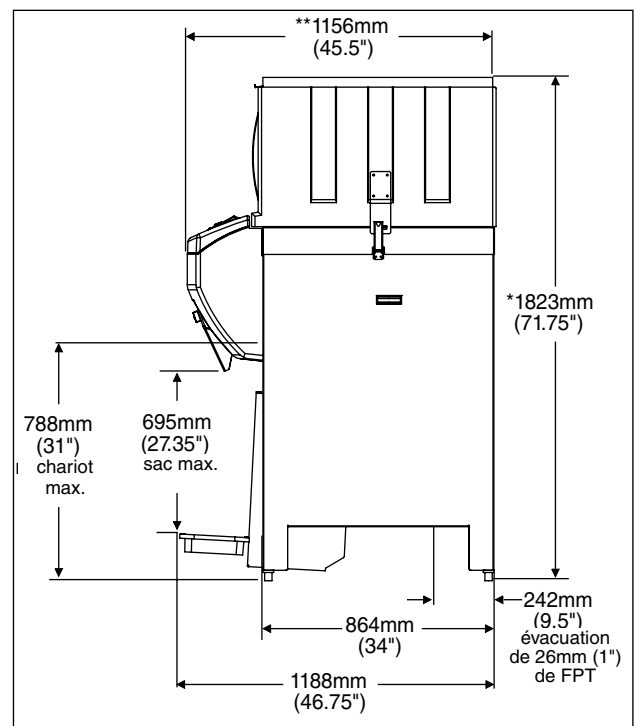


Fig. 2



Installation

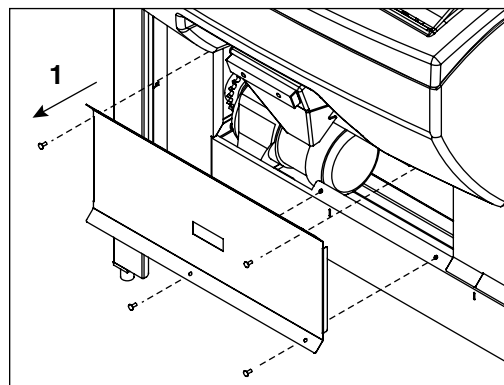
Pour faire passer la machine par une porte

Il vous sera peut-être nécessaire de démonter quelques pièces afin de faire passer la machine par une porte de 850 à 1156mm de large.

Remarque: il N'EST PAS nécessaire de démonter quoi que ce soit afin de faire passer la machine par des portes d'une largeur supérieure à 1156mm.

1. Retirez le panneau anti-éclaboussures et ses quatre vis (Fig.3.1)

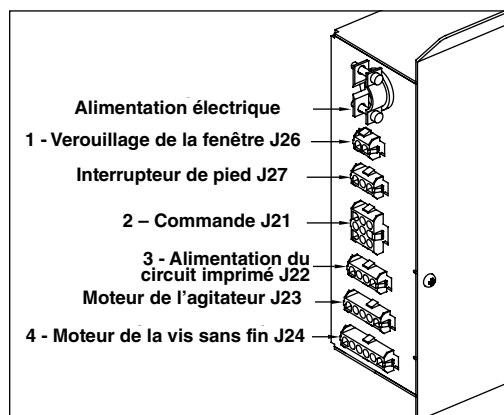
Fig. 3



2. Déconnectez les prises suivantes du côté gauche du boîtier de commande:

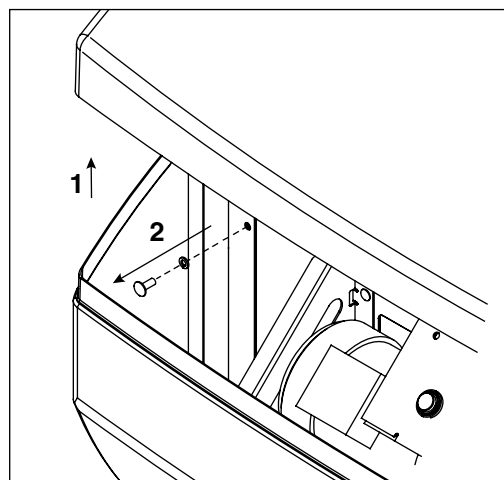
Dispositif de verrouillage de la fenêtre J26
Commande J21 (Fig.4.2)
Alimentation du circuit imprimé J22 (Fig. 4.3)
Moteur de la vis sans fin J24 (Fig. 4.4)

Fig. 4



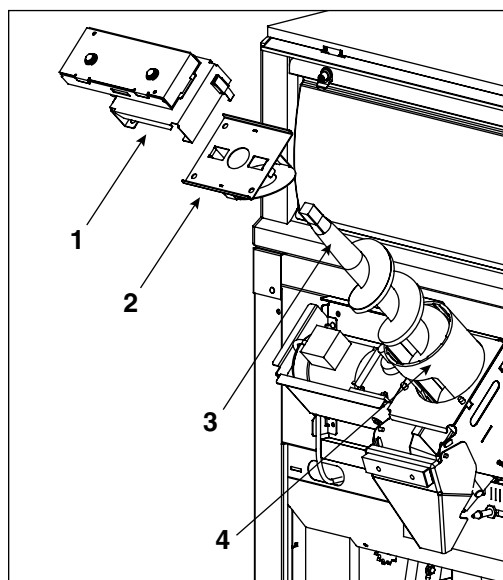
3. Retirez le couvercle du panneau de commande en détachant la bande velcro. (Fig. 5.1)
4. Retirez le couvercle inférieur et ses deux vis situées de chaque côté (Fig. 5.2).

Fig. 5



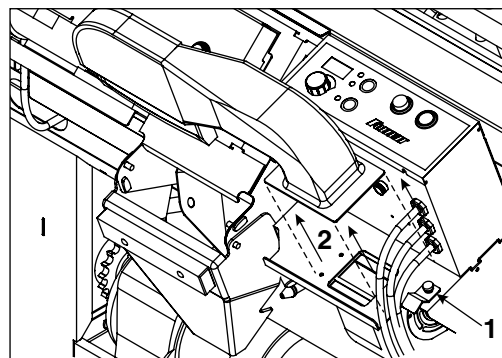
5. Retirez la boîte de transfert avec ses deux loquets de fermeture (Fig. 6.1).
6. Retirez la plaque déflectrice en la soulevant (Fig. 6.2).
7. Retirez la vis sans fin en la soulevant. (Fig. 6.3)
8. Retirez le tube de la vis sans fin en le soulevant. Notez la position de la fente de guidage située sur le côté inférieur afin de pouvoir réinstaller les pièces (Fig. 6.4)

Fig. 6



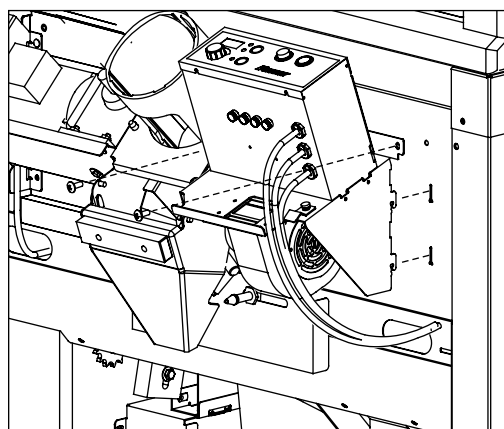
9. Retirez la gaine du ventilateur en dévissant la vis à oreilles en tournant le clip (Fig. 7.1) et en soulevant (Fig. 7.2).

Fig. 7



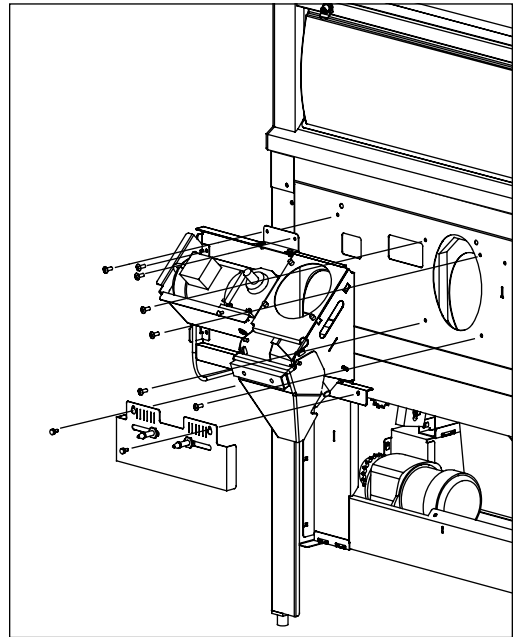
10. Retirez l'ensemble boîtier de commande – moteur du ventilateur et ses deux vis (Fig. 8).
11. Retirez le support du moteur de la vis sans fin et ses 8 vis (Fig. 8).

Fig. 8



12. Retirez le support pour les broches des sacs et ses deux vis à oreilles (Fig. 9).

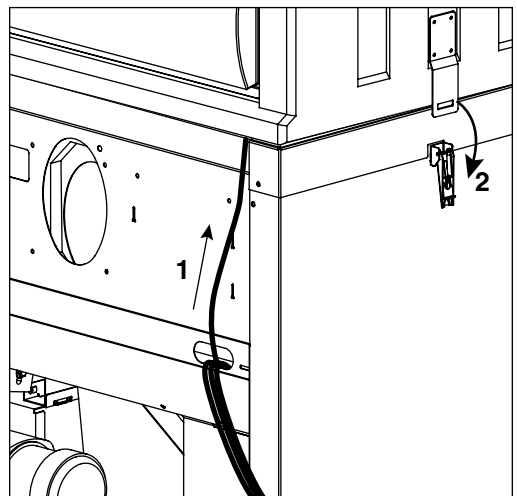
Fig. 9



13. Il vous est possible de réduire encore plus la largeur du distributeur en retirant le compartiment de stockage de glace supérieur (Fig. 10). Vous réduirez ainsi la largeur de la machine de 45mm afin d'obtenir une largeur de 864mm.

- Retirez la fenêtre.
- Tirez sur le fil de l'interrupteur du dispositif de verrouillage de la fenêtre afin de le faire passer par le coin supérieur droit du socle (Fig. 10.1).
- Coupez l'attache.
- Libérez le loquet de fermeture de chaque côté du compartiment de stockage de glace (Fig. 10.2).
- Soulevez le compartiment de stockage de glace afin de le séparer du socle.

Fig. 10



Remarque: Pour remettre en place le tube de la vis sans fin, déterminez l'emplacement de la fente à 7 heures et faites en sorte que le côté supérieur se trouve à ras du support du moteur de la vis sans fin.

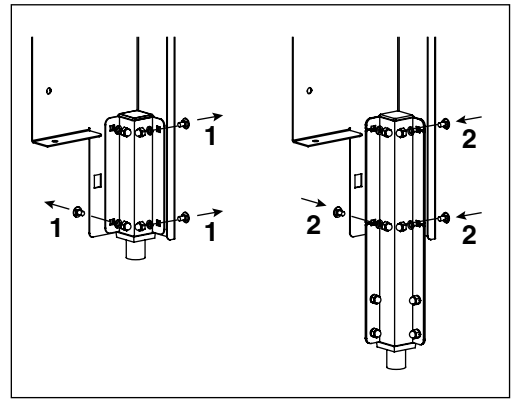
Déterminer l'emplacement de la machine

Il est indispensable de laisser un espace d'au moins 305mm à gauche de la machine afin de pouvoir facilement y accéder pour la réparer ou effectuer sa maintenance (voir dimensions et dégagement)

Rallonges pour jambes

1. Soulevez la machine afin que les pieds ne touchent plus le sol.
2. Retirez chaque section de pied standard et ses quatre boulons de carrosserie (Fig. 11.1).
3. Retirez l'insert du pied standard et son embout.
4. Alignez chaque rallonge de pied sur les huit trous de la jambe.
5. Utilisez les quatre boulons de carrosserie que vous avez retiré à l'étape 2 ainsi que les quatre boulons de carrosserie qui sont fournis avec la jambe de rallonge afin de fixer chaque voie de la de la rallonge aux huit trous de la jambe de la machine (Fig. 11.2).
6. Introduisez l'insert du pied et l'embout dans la rallonge du pied.
7. Assurez-vous que chaque jambe est complètement relevée avant d'abaisser la machine sur ses pieds.
8. Suivez les instructions de mise à niveau ci-dessous.

Fig. 11



Mise à niveau

Il est primordial de mettre le distributeur à niveau afin que toute machine à glace placée sur ce dernier puisse fonctionner correctement. Le distributeur est expédié avec les jambes complètement relevées. Chaque jambe doit être réglée individuellement en tournant dans le sens des aiguilles d'une montre pour l'abaisser et dans le sens inverse pour la relever.

Raccordements électrique et de plomberie

Évacuation

Branchez le raccord du tuyau FPT en PVC de 26mm (Fig. 12). Faites en sorte que la conduite d'évacuation présente un descente d'au moins 1 cm tous les 31 cm. Isolez toute la longueur de la conduite d'évacuation afin d'éviter que de la condensation ne se forme sur l'extérieur de la conduite.

Remarque: Veillez à ne pas trop serrer ce raccord lorsque vous le fixez.

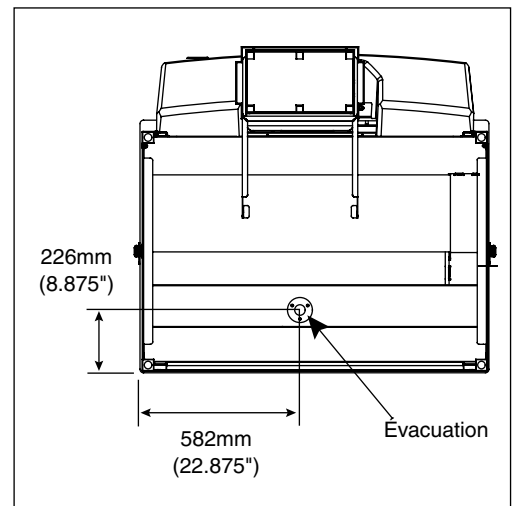
Remarque: Veillez à ne pas trop chauffer si l'emploi d'un raccord soudé à l'étain s'avère nécessaire. La conduction thermique du métal risque de faire fondre le filetage du raccord d'évacuation en plastique.

Raccordement électrique

Effectuez tout branchement électrique conformément aux codes locaux et selon le NEC (Code électrique national). Chaque machine à glace nécessitera un circuit séparé. L'équipement doit être mis à la terre.

Courant standard : 230V, 50Hz, monophasé, fusible de 5 ampères max., circuit de 15 ampères. Cordon d'alimentation électrique fourni.

Fig. 12



Pédale

La pédale a été fixée au distributeur en usine. Retirez l'emballage et placez-la à terre à proximité de la plateforme du poste d'ensachage situé à l'avant du distributeur.

Barre de support des sacs

Remarque: les sacs doivent être placés derrière le conduit de distribution de glace en acier inoxydable.

1. Abaissez le levier du conduit de distribution (Fig. 13.1).
2. Faites passer les sacs de la barre aux broches en retirant la partie cartonnée et en glissant 15 à 20 sacs à la fois sur les broches jusqu'à ce que les montants soient pleins (Fig. 13.2)
3. Relevez le levier du conduit de distribution (Fig. 14).

Désinfecter

Suivez les instructions de nettoyage et de désinfection de cette notice 00127886.

Machine à glace

Suivez les recommandations du fabricant de la machine à glace pour l'installation.

Remarque: La (ou les) machine(s) à glace montée(s) sur un distributeur à toit fin ne doivent pas dépasser 272kg.
La (ou les) machine(s) à glace montée(s) sur un distributeur à toit épais ne doivent pas dépasser 590kg.

Réglages

L'installateur doit effectuer les premiers réglages afin de s'assurer que le distributeur fonctionne correctement.

1. Réglage de l'arrimage
 - a) Décrochez le verrou situé sur le côté du distributeur.
 - b) Tournez le boulon dans le sens des aiguilles d'une montre pour augmenter la tension.
 - c) Fixez le verrou et vérifiez que la tension a été augmentée.

2. Poste d'ensachage

La plateforme du poste d'ensachage peut être levée ou abaissée afin d'accueillir des sacs de diverses dimensions (Fig. 15). Le fond des sacs doit toucher la plateforme lorsque le réglage est terminé

- a) Levez la plateforme du poste d'ensachage et sortez-la de la fente de réception du socle du poste d'ensachage.
- b) Introduisez la plateforme du poste d'ensachage tout droit puis vers le bas dans la fente de réception située au-dessus du fond du sac.

3. Durée de distribution

En mode temps, le bouton de réglage du temps de distribution du panneau de commande permet de régler la durée de distribution de la glace.

- a) Tournez le bouton dans le sens des aiguilles d'une montre afin d'augmenter la durée de distribution. Tournez dans le sens inverse afin de réduire la durée de distribution.
- b) Assurez-vous que le mode temps a été sélectionné.
- c) Pressez le bouton de marche afin de faire un essai et connaître la durée de distribution. Réglez-la si nécessaire.

Fig. 13

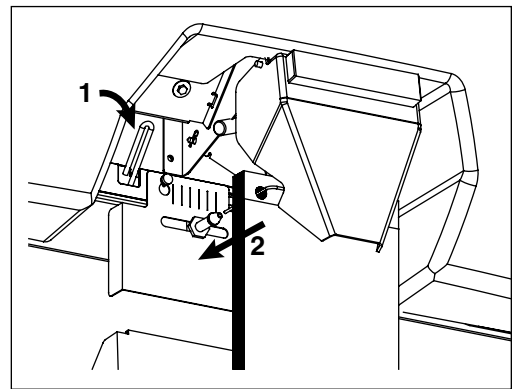


Fig. 14

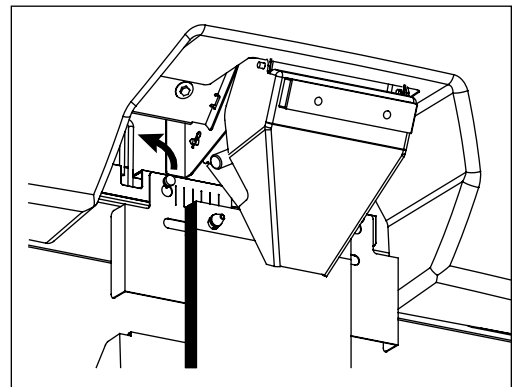
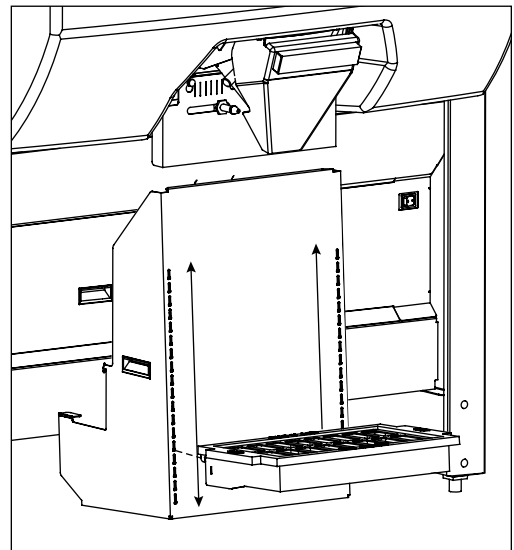


Fig. 15



Retirer l'agitateur

1. Retirez toute la glace du distributeur.
2. Débranchez le cordon d'alimentation du distributeur et de la machine à glace.
3. Retirez la fenêtre du compartiment de stockage de glace supérieur.
4. Retirez la goupille du côté gauche de la barre de l'agitateur (Fig. 16).

5. Déplacez la barre vers la paroi gauche du distributeur (Fig. 17.1) tout en tirant sur le côté droit afin de l'extraire du roulement (Fig. 17.2).

6. Poussez sur le côté droit de la barre de l'agitateur vers le coin arrière droit de la cabine (Fig. 18.1) tout en tirant sur le côté gauche afin de l'extraire de l'arbre d'entraînement (Fig. 18.2).

7. Placez l'extrémité de la goupille de l'agitateur dans le cadre de la fenêtre et tournez afin que l'agitateur sorte par l'ouverture (Fig. 19).

Fig. 16

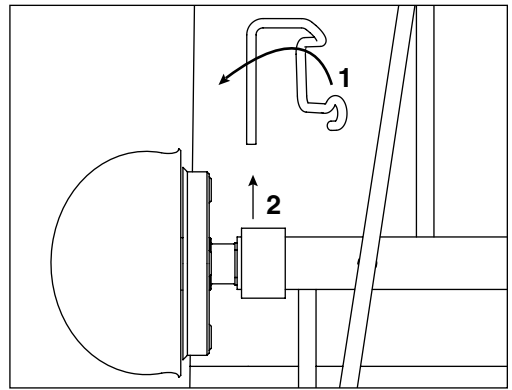


Fig. 17

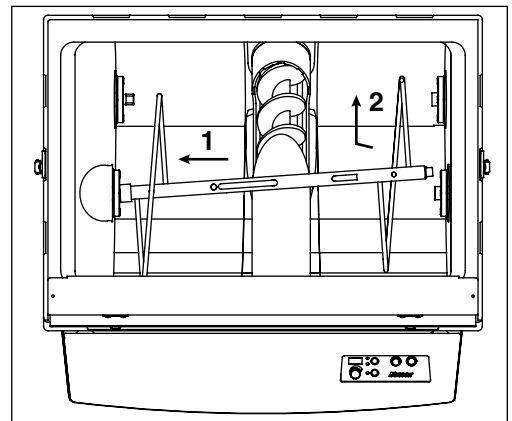


Fig. 18

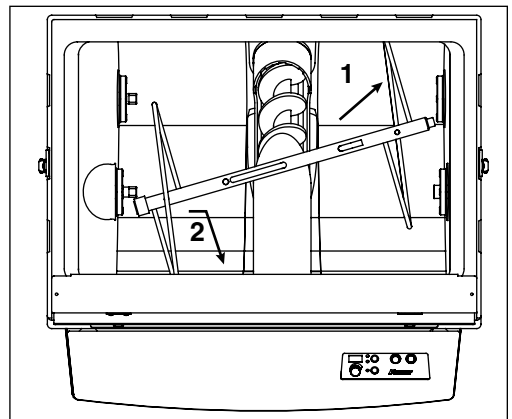
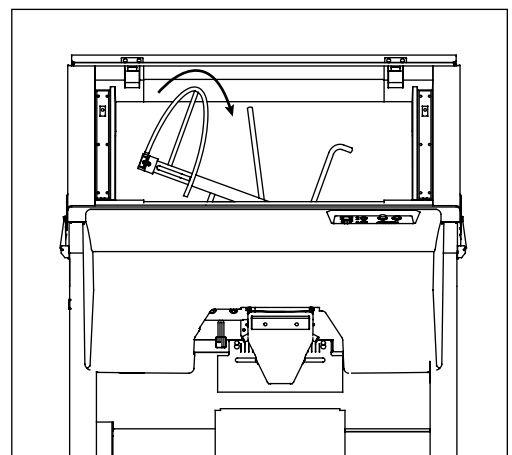
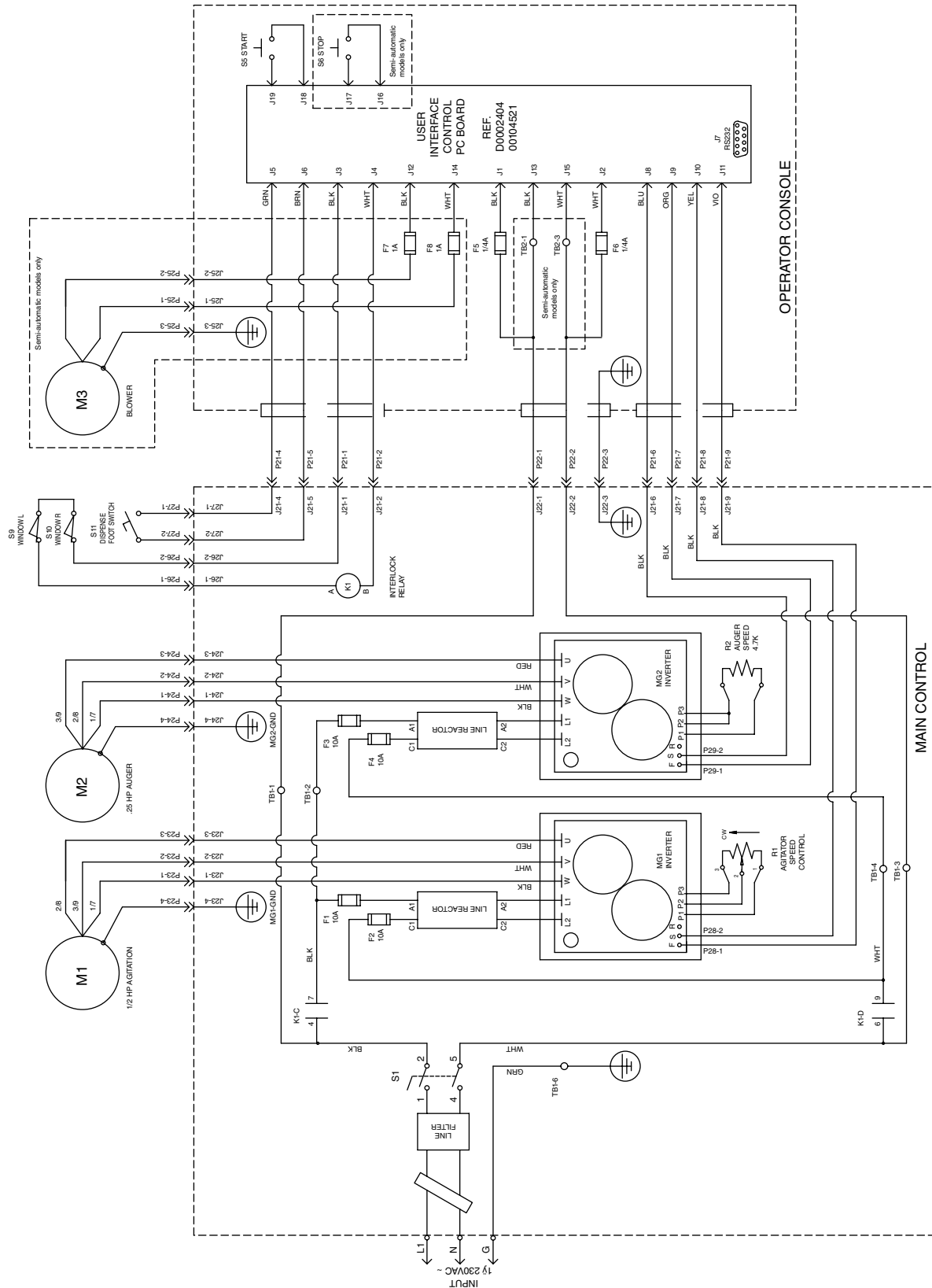


Fig. 19





Dépannage

Avant d'appeler un dépanneur

1. Assurez-vous qu'il y a de la glace dans le distributeur et que des glaçons ne bloquent pas le mécanisme de distribution.
2. Assurez-vous que le disjoncteur et les interrupteurs sont en position de marche (ON).
3. Assurez-vous que la fenêtre est correctement fixée. Si elle est entre-ouverte, le distributeur ne fonctionnera pas.
4. Assurez-vous que rien ne bloque les conduits d'évacuation.

Guide de dépannage

Symptôme	Cause possible	Solution
Pas de distribution de glace.	<p>Pas de glace dans le compartiment.</p> <p>L'interrupteur de distribution ne se ferme pas.</p> <p>La pédale ne se ferme pas.</p> <p>Le moteur de la vis sans fin ne fonctionne pas.</p> <p>Le moteur de l'agitateur ne fonctionne pas.</p> <p>Le moteur de l'agitateur et le moteur de la vis sans fin ne fonctionnent pas.</p>	<p>Assurez-vous que la machine à glace fonctionne correctement</p> <p>Vérifiez que les contacts de l'interrupteur se ferment correctement.</p> <p>Vérifiez que les contacts de l'interrupteur à l'intérieur du carter de la pédale se ferment correctement.</p> <ol style="list-style-type: none"> 1. Vérifiez que le moteur est alimenté en électricité. 2. Vérifiez le courant de sortie de l'inverseur correspondant. 3. Vérifiez les fusibles et le courant alimentant L1 & L2 de l'inverseur. 4. Effectuez un branchement afin d'alimenter les bornes F & S de l'inverseur. Si le moteur se met en marche, remplacez la plaque de circuits imprimés. <p>Remarque: la tension de l'inverseur et du moteur de la vis dans fin doivent être vérifiés avec un compteur analogique.</p> <ol style="list-style-type: none"> 1. Vérifiez que le moteur est alimenté en électricité. 2. Vérifiez le courant de sortie de l'inverseur correspondant. 3. Vérifiez les fusibles et le courant alimentant L1 & L2 de l'inverseur. 4. Effectuez un branchement afin d'alimenter les bornes F & S de l'inverseur. Si le moteur se met en marche, remplacez la plaque de circuits imprimés. <p>Remarque: la tension de l'inverseur et du moteur de l'agitateur dans fin doivent être vérifiés avec un compteur analogique.</p> <ol style="list-style-type: none"> 1. Vérifiez que la fenêtre est bien en place. 2. Vérifiez que les deux interrupteurs du dispositif de verrouillage de la fenêtre sont complètement pressés. 3. Vérifiez que le relais du dispositif de verrouillage est alimenté en électricité.
Les sacs se déchirent au niveau des broches lors du remplissage.	<p>La plateforme des sacs n'est pas réglée correctement.</p> <p>Sacs de mauvaise qualité.</p>	<p>Réglez la plateforme sur un cran supérieur au-dessus de là où le fond du sac touche la plateforme.</p> <p>Faites un essai avec des sacs d'une autre marque.</p>
Plus d'un sac s'ouvre lorsque le ventilateur fonctionne.	Le conduit de distribution en acier inoxydable ne repose pas contre les sacs.	Placez le levier en position haute afin de placer le conduit de distribution en acier inoxydable à l'arrière.
Les sacs ne s'ouvrent pas.	<p>L'interrupteur du ventilateur n'est pas en position de marche.</p> <p>La gaine du ventilateur est manquante ou n'a pas été correctement installée</p> <p>Le moteur du ventilateur n'est pas alimenté en courant.</p>	<p>Mettez en marche le ventilateur.</p> <p>Réinstallez ou repositionnez.</p> <p>Vérifiez les fusibles et la puissance de sortie au niveau du panneau de commande.</p>

Si des problèmes persistent après avoir suivi les consignes du guide de dépannage, contactez le service technique de Follett au (610) 252-7301.

Willkommen bei der Follett Corporation

Die Eisausgabeautomaten von Follett erfreuen sich eines wohlverdienten Rufs für erstklassige Leistung, langfristige Zuverlässigkeit und herausragenden Support nach dem Verkauf. Um zu gewährleisten, dass dieser Ausgabeautomat Ihnen das gleiche Maß an Service bietet, bitten wir Sie, sich einen Moment Zeit zu nehmen, um dieses Handbuch durchzulesen, bevor Sie mit der Installation des Ausgabeautomaten beginnen. Sollten Sie Fragen haben oder zu irgendeinem Zeitpunkt technische Hilfe benötigen, rufen Sie bitte unseren Kundendienst unter der Rufnummer (610) 252-7301 an.

Bevor Sie anfangen

Nachdem Sie den Automaten ausgepackt und das gesamte Verpackungsmaterial entfernt haben, prüfen Sie ihn bitte auf versteckte Versandschäden. Wenn Sie eine Beschädigung feststellen, informieren Sie unverzüglich das Versandunternehmen und kontaktieren Sie die Follett Corporation, so dass wir Ihnen notfalls helfen können, eine Beschwerde einzureichen.



Wichtige Vorsichtsmaßnahmen

- Der Speicherbereich des Ausgabeautomaten enthält mechanische bewegliche Teile. Halten Sie Arme und Beine jederzeit von diesem Bereich fern. Wenn der Zugang zu diesem Bereich erforderlich ist, muss das Gerät zunächst von der Stromquelle getrennt werden.
- Eiswürfel sind schlüpfrig. Halten Sie Arbeitsflächen und Fußböden um den Ausgabeautomaten herum sauber und frei von Eis.
- Eiswürfel sind Nahrungsmittel. Befolgen Sie die empfohlenen Reinigungsanweisungen, um die Sauberkeit des gelieferten Eis zu gewährleisten.
- Wenn die örtlichen Vorschriften einen festverdrahteten Anschluss und/oder eine abgeschirmte Verdrahtung erfordern, legen Sie den bzw. die Kabel und Stecker weg und befolgen Sie das entsprechende Schaltschema.
- Der Zugang zu den Wartungsbereichen ist nur solchen Personen gestattet, die sich mit dem Gerät auskennen und praktische Erfahrung damit haben, insbesondere in Bezug auf Sicherheit und Hygiene.
- Der Ausgabeautomat ist für die meisten Eissorten in Würfel-/Kleinwürfelformat bis zu 26mm² geeignet. Zerkleinertes Eis, Flockeneis und Nuggeteis kann nicht verwendet werden. Die Verwendung dieser Eissorten kann ein Blockieren des Ausgabeautomaten zur Folge haben und führt zum Erlöschen der Garantie. Bei Fragen zur Eiskompatibilität rufen Sie bitte unseren Kundendienst unter der Rufnummer (610) 252-7301 an.
- Bevor Sie den Ausgabeautomaten reinigen oder warten, muss er immer von der Stromquelle getrennt werden.
- Falls nicht alle sanitären Mittel entfernt werden, kann dies ein gesundheitliches Risiko darstellen.

Spezifikationen

Elektrisch

Jeder Eisbereiter und jeder Ausgabeautomat benötigt einen separaten Schaltkreis. Geräteerdung erforderlich.

Standardelektrik – 230V, 50Hz, 1 Phase, max. Sicherung – 5 A, 15 A-Schaltkreis. Kabel mitgeliefert.

Installation

Abfluss: 26mm FPT aus PVC für Trichterabfluss

Hinweis: Abflüsse müssen festverroht und isoliert sein. Bei der Führung der Abflussleitung muss eine Neigung von mindestens 1 cm pro 31 cm Leitung eingehalten werden.

Temperatur

Umgebungstemperaturbereich: Minimum: 10°C (50°F); Maximum: 38°C (100°F)

Informationen zu Abständen, Installierung und Zugang

Der Ausgabeautomat muss in beide Richtungen eben sein. Der Ausgabeautomat muss an einem Ort installiert werden, wo er nur durch geschultes Personal verwendet und gewartet werden kann. Der Stecker des Netzkabels muss zugänglich sein.

Türeingang

Am Installationsort muss ein ungehinderter Weg zum Platz der Installierung bestehen und Türöffnungen müssen mindestens 870mm breit sein.

Wartungsabstand

Für die Wartung sind auf der linken Seite des Automaten mindestens 305mm erforderlich.

Eisarten

Der Ausgabeautomat ist für die meisten Eissorten in Würfel- oder Kleinwürfelformat bis zu 26mm² geeignet. Zerkleinertes Eis, Flockeneis und Nuggeteis kann nicht verwendet werden. Die Verwendung dieser Eissorten kann ein Blockieren des Ausgabeautomaten zur Folge haben und führt zum Erlöschen der Garantie. Bei Fragen zur Eiskompatibilität rufen Sie bitte unseren Kundendienst unter der Rufnummer (610) 252-7301 an.

Gewichtsbeschränkung des Eisbereiters

Eisbereiter, die auf einem dünnen Oberteil aufgebaut werden, dürfen 272kg nicht überschreiten. Eisbereiter, die auf einem dicken Oberteil aufgebaut werden, dürfen 590kg nicht überschreiten.

Behältergrößen

Der Standardautomat kann Beutelgrößen bis zu 9kg/696mm aufnehmen.

Der Standardausgabeschacht ist mit Wagen und Behältern kompatibel, die bis zu 750mm hoch sind.

Wahlweise kann ein 166mm hohes Beinverlängerungsset gekauft werden, mit dem bis zu 915mm hohe Wagen und Beutel bis zu 18kg und 860mm Höhe verwendet werden können.

Beutelstifte

Die Beutelstifte können verstellt werden, so dass Beutellochmitten von 127mm bis 254mm verwendet werden können.

Maße und Abstände

- * Für Eisbereiter, die mehr als 272kg wiegen, ist ein besonderes Oberteil erforderlich. Dadurch erhöht sich die Höhe um 54mm. Wenden Sie sich bitte an das Werk.
- ** Wenn die Abflusspfanne als Zubehörteil verwendet wird, erhöht sich die Tiefe um 51mm und das Versandgewicht um 4,5kg.

Abb. 1

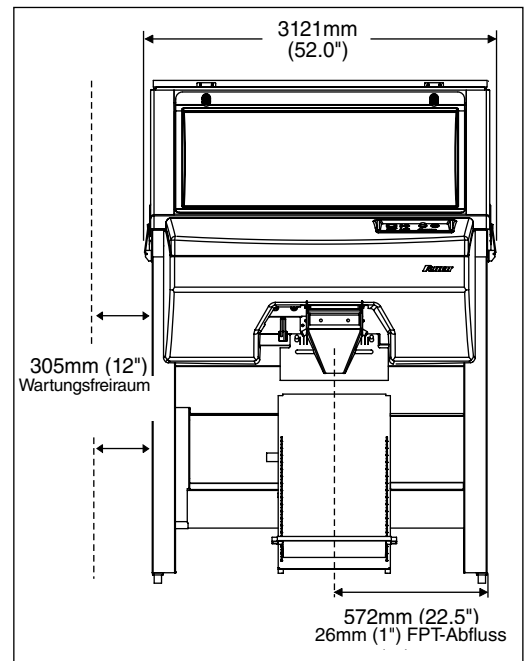
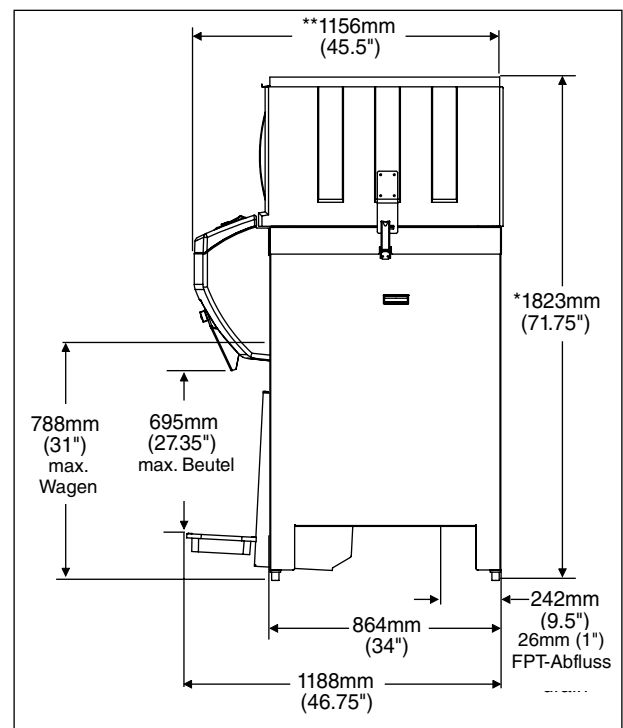


Abb. 2



Installation

Türöffnungen

Um durch Türöffnungen mit einer Breite von 850mm bis 1156mm zu passen, müssen u.U. einige Teile abgebaut werden.

Hinweis: Bei Türöffnungen, die breiter als 1158mm sind, ist **KEIN** Abbau von Teilen notwendig.

1. Nehmen Sie die untere Spritztafel mit den vier Schrauben ab (Abb. 3.1).
2. Nehmen Sie die folgenden Steckerbuchsen von der linken Seite des Schaltkastens ab:

Fensterverriegelung J26 (Abb. 4.1)
Steuerung J21 (Abb. 4.2)
PCB Strom J22 (Abb. 4.3)
Bohrermotor J24 (Abb. 4.4)

3. Nehmen Sie die Abdeckung der Schalttafel ab, indem Sie den Haken und das Schleifenband anheben und abmachen (Abb. 5.1).
4. Nehmen Sie die untere Abdeckung mit den beiden Flügelschrauben, eine an jeder Seite, ab (Abb. 5.2).

Abb. 3

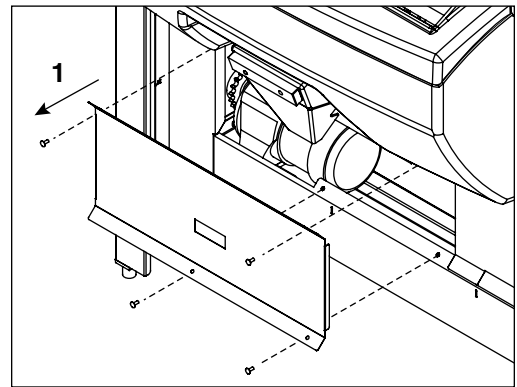


Abb. 4

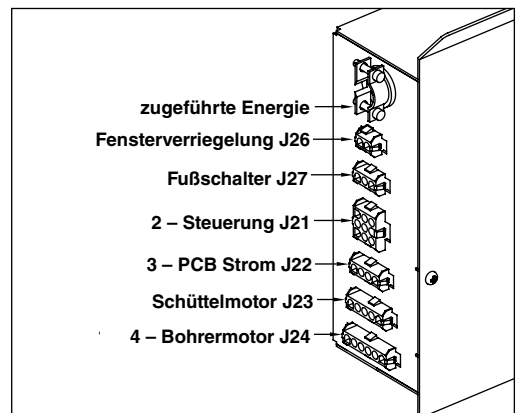
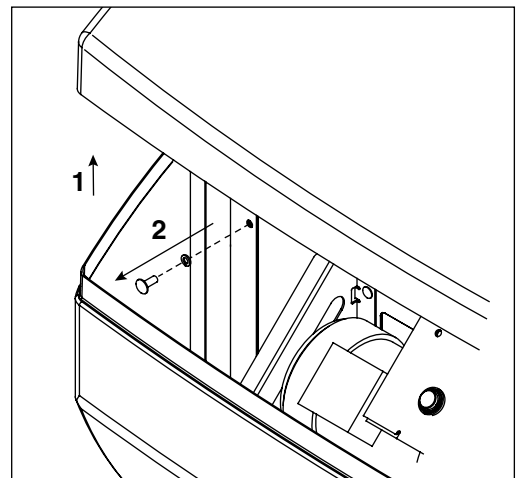
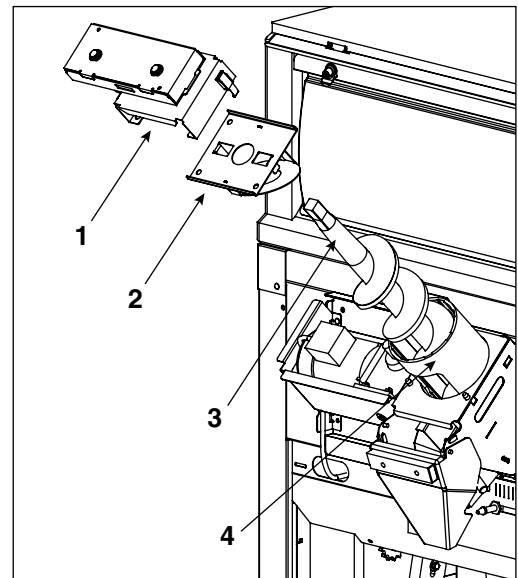


Abb. 5



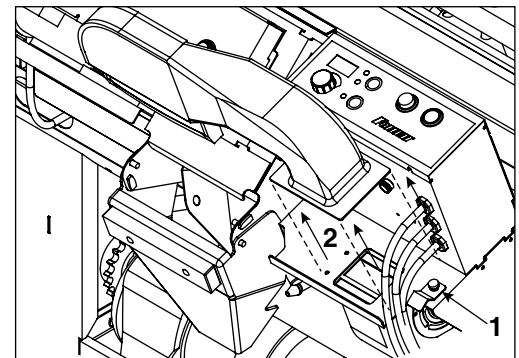
5. Nehmen Sie das Übertragungsgehäuse mit den zwei Verriegelungen ab (Abb. 6.1).
6. Nehmen Sie die Eisablenkfläche durch Anheben ab (Abb. 6.2).
7. Nehmen Sie den Bohrer durch Anheben heraus (Abb. 6.3)
8. Nehmen Sie die Bohrröhre durch Anheben ab. Achten Sie bei der Wiedereinsetzung auf die Position des Ausrichtschlitzes am unteren Ende (Abb. 6.4).

Abb. 6



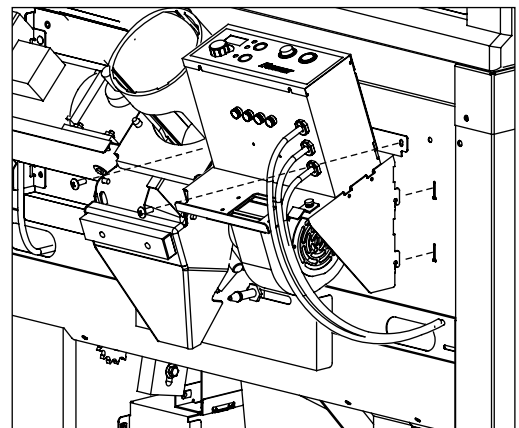
9. Nehmen Sie die Gebläserohr ab, indem Sie die Flügelschraube lösen, den Halter drehen (Abb. 7.1) und abheben (Abb. 7.2).

Abb. 7



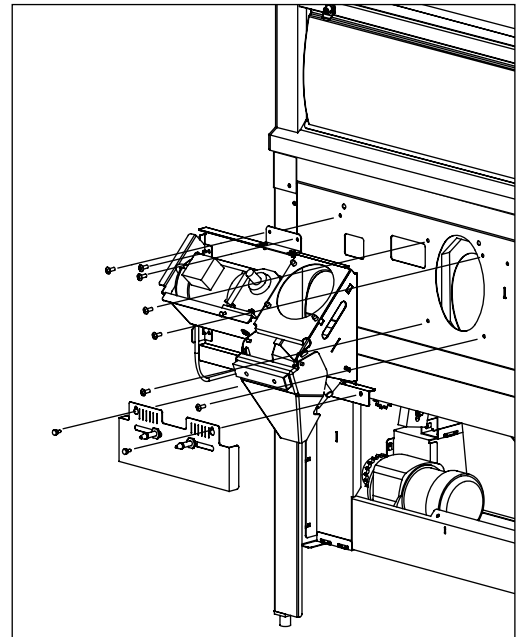
10. Nehmen Sie die Befestigungsteile des Schaltkastens/ Gebläsemotors mit den beiden Schrauben ab (Abb. 8).

Abb. 8



11. Nehmen Sie den Bohrertr ger mit den 8 Schrauben ab (Abb. 9).
12. Nehmen Sie den Tr ger der Beutelstifte mit den beiden Fl gelschrauben ab (Abb. 9).

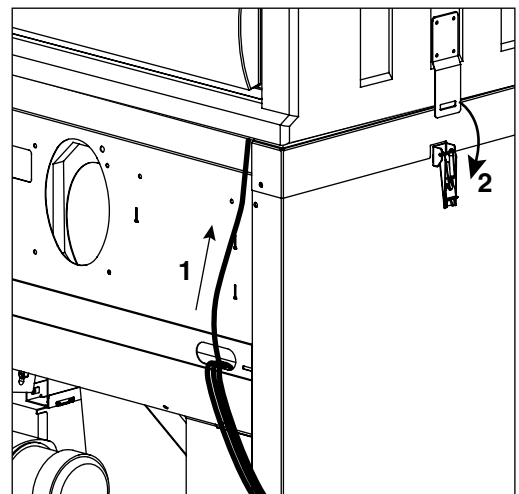
Abb. 9



13. Die Breite des Automaten kann durch Abnahme des oberen Eislagerbereichs weiter reduziert werden (Abb. 10). Damit wird das Ger t um 45mm schmaler und hat nun eine Gesamtbreite von 864mm.

- a) Nehmen Sie das Fenster ab.
- b) Stecken Sie das Kabel des Fensterverriegelungsschalters durch die Drahrinne in der oberen rechten Ecke des Unterteils (Abb. 10.1).
- c) Schneiden Sie die Befestigungsumf hrung durch.
- d) L sen Sie den Verschluss auf beiden Seiten des Eislagerbereichs (Abb. 10.2).
- e) Heben Sie den oberen Eislagerbereich aus dem Unterteil.

Abb. 10



Hinweis: Zur Wiedereinsetzung der Bohrer hre muss sich der Ausrichtschlitz in 7-Uhr-Stellung befinden und das obere Ende des Bohrers muss mit dem Bohrertr ger abschlie en.

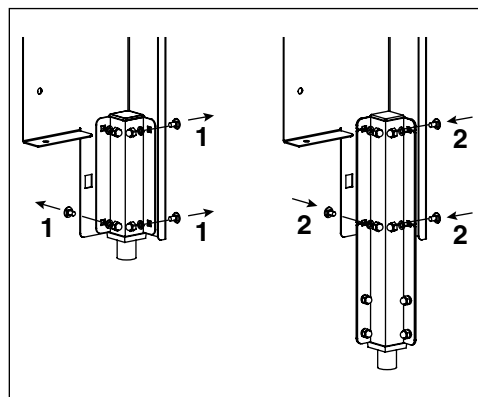
Zugang zum Automaten

Links vom Automaten muss ein Freiraum von mindestens 305mm für Wartungsarbeiten bleiben (siehe Maße und Abstände).

Zubehörteil zur Beinverlängerung

1. Heben Sie den Automaten von den Füßen hoch.
2. Nehmen Sie jede Standardfußrinne mit den vier Schlossschrauben ab (Abb. 11.1)
3. Nehmen Sie den Fußeinsatz und den Kappeneinsatz aus der Standardfußrinne.
4. Richten Sie jede Zubehör-Verlängerungsfußrinne auf die rechten Löcher des Beins aus.
5. Nehmen Sie die vier Schlossschrauben, die in Schritt 2 entnommen wurden, und die vier Schlossschrauben, die mit dem Beinverlängerungszubehör mitgeliefert wurden, und befestigen Sie die einzelnen Verlängerungsrinnen an die acht Löcher von jedem Bein (Abb. 11.2).
6. Setzen Sie den Fußeinsatz und den Kappeneinsatz in die Verlängerungsfußrinne.
7. Achten Sie darauf, dass sich jedes Bein in der volleingezogenen Position befindet, bevor Sie den Automaten auf die Füße herunterlassen.
8. Befolgen Sie die nachstehenden Nivellieranweisungen.

Abb. 11



Nivellierung

Die Nivellierung des Automaten ist wichtig für den sachgemäßen Betrieb eines obenbefestigten Eisbereiters. Beim Versand des Ausgabeautomaten sind die Beine in volleingezogener Position. Jedes Bein kann unabhängig verstellt werden; eine Drehung im Uhrzeigersinn bringt das Bein niedriger, während eine Drehung entgegen dem Uhrzeigersinn das Bein anhebt.

Versorgungsanschlüsse

Abfluss

Der Abfluss wird mit dem 26mm FPT Anschlussstück aus PVC verbunden (Abb. 12). Bei der Führung der Abflussleitung muss eine Neigung von mindestens 1 cm pro 31 cm Leitung eingehalten werden. Isolieren Sie die gesamte Länge der Leitung, um zu verhindern, dass sich auf der Außenseite der Abflussleitung Kondensation bildet.

Hinweis: Vermeiden Sie ein übermäßig festes Anziehen bei der Verbindung mit dem Anschlussstück.

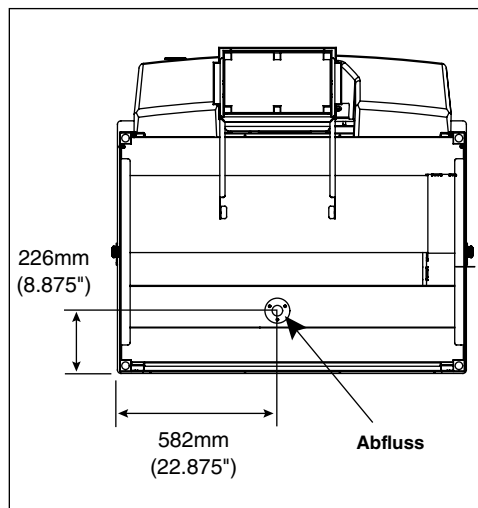
Hinweis: Wenden Sie keine starke Wärme an, wenn ein Schwitzen der Anschlussstücke notwendig ist. Wärmeleitung durch Metall kann Fäden in der Kunststoffleitung schmelzen lassen.

Raccordement électrique

Nehmen Sie die elektrischen Anschlüsse gemäß den örtlichen Vorschriften und dem NEC Code vor. Jeder Eisbereiter und jeder Ausgabeautomat benötigt einen separaten Schaltkreis. Geräteerdung erforderlich.

Standardelektrik – 230V, 50Hz, 1 Phase, max. Sicherung – 5 A, 15 A-Schaltkreis. Kabel mitgeliefert.

Abb. 12



Fußpedal

Das Fußpedal wird im Werk an den Ausgabeautomaten installiert. Nehmen Sie die Verpackung ab und legen Sie sie auf den Boden beim Beutelstand vor dem Ausgabeautomaten.

Beuteleinlass

Hinweis: Die Beutel müssen hinter den hinteren rostfreien Ausgabeschacht platziert werden.

1. Bewegen Sie den Schachthebel in die untere Position (Abb. 13.1).
2. Bringen Sie die Beutel vom Einlass zu den Beutelstiften, indem Sie die Pappverstärkung abnehmen und 15 bis 20 Beutel gleichzeitig auf die Stifte gleiten lassen, bis alle Posten voll sind (Abb. 13.2).
3. Bringen Sie den Schachthebel wieder in die obere Position (Abb. 14).

Hygiene

Befolgen Sie die Reinigungs- und Hygieneanweisungen im Handbuch 00127886.

Eisbereiter

Befolgen Sie die Installationsempfehlungen des Icemaker-Herstellers.

Hinweis: Eisbereiter, die auf einem dünnen Oberteil aufgebaut werden, dürfen 272kg nicht überschreiten. Eisbereiter, die auf einem dicken Oberteil aufgebaut werden, dürfen 590kg nicht überschreiten.

Anpassungen

Der Installierer sollte die folgenden Anfangsanpassungen vornehmen, um den sachgemäßen Betrieb des Ausgabeautomaten zu gewährleisten.

1. Spannungsanpassung
 - a) Lösen Sie den Verschluss an der Seite des Ausgabeautomaten.
 - b) Drehen Sie die Schraube im Uhrzeigersinn, um die Spannung zu erhöhen.
 - c) Machen Sie den Verschluss wieder fest und prüfen Sie, ob die Spannung erhöht ist.
2. Beutelstand
Die Beutelstandplattform kann höher oder niedriger gestellt werden, so dass verschiedene Beutelgrößen verwendet werden können (Abb. 15). Der Boden der Beutel sollte die Plattform berühren, wenn die Einstellung beendet ist.
 - a) Heben Sie die Beutelstandplattform hoch und aus dem Aufnahmeschlitz auf dem Beutelstandboden heraus.
 - b) Setzen Sie die Beutelstandplattform in den nächsten Aufnahmeschlitz über dem Boden des Beutels ein und schieben Sie ihn nach unten.
3. Ausgabedauer
Im zeitgesteuerten Modus wird mit der Einstellscheibe für die Ausgabedauer auf dem Bedienfeld die zeitliche Dauer eingestellt, die das Gerät Eis ausgibt.
 - a) Drehen Sie die Einstellscheibe im Uhrzeigersinn, wenn Sie die Ausgabedauer verlängern wollen. Drehen Sie sie entgegen dem Uhrzeigersinn, wenn Sie die Ausgabedauer verkürzen wollen.
 - b) Vergewissern Sie sich, dass der zeitgesteuerte Modus gewählt ist.
 - c) Drücken Sie die Start-Taste, um die Zeitdauer zu prüfen. Ändern Sie sie wenn nötig.

Abb. 13

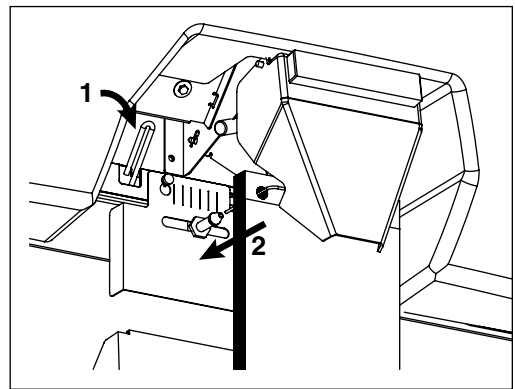


Abb. 14

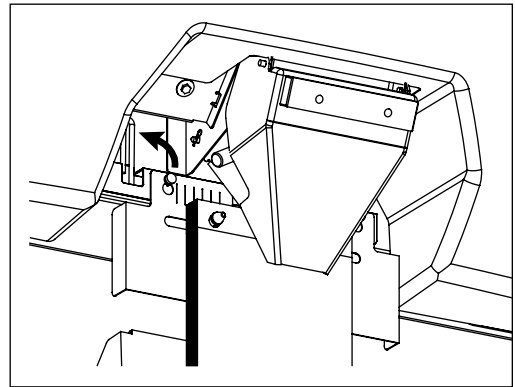
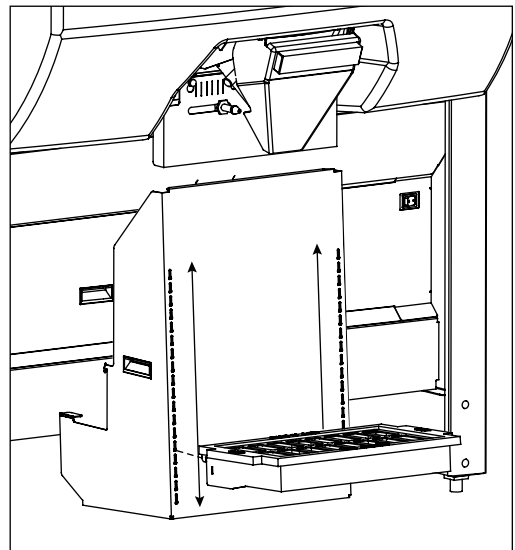


Abb. 15



Entfernung der Schüttelung

1. Entnehmen Sie das gesamte Eis aus dem Ausgabeautomaten.
2. Trennen Sie den Strom zum Ausgabeautomaten und zum Eisbereiter.
3. Nehmen Sie das Fenster aus dem oberen Eislagerbereich.
4. Nehmen Sie den Verbindungsstift aus der linken Seite der Schüttelungsstange (Abb. 16).

5. Bewegen Sie die Schüttelungsstange zur linken Wand des Ausgabeautomaten hin (Abb. 17.1) und ziehen Sie gleichzeitig die rechte Seite aus dem Lager (Abb. 17.2).

6. Schieben Sie die rechte Seite der Schüttelungsstange zur hinteren rechten Ecke des Behälters (Abb. 18.1) und ziehen Sie gleichzeitig die linke Seite aus der Antriebswelle heraus (Abb. 18.2).

7. Positionieren Sie das Stiftende der Schüttelung in den Fensterrahmen und drehen Sie es spiralförmig im Uhrzeigersinn aus der Öffnung (Abb. 19).

Abb. 16

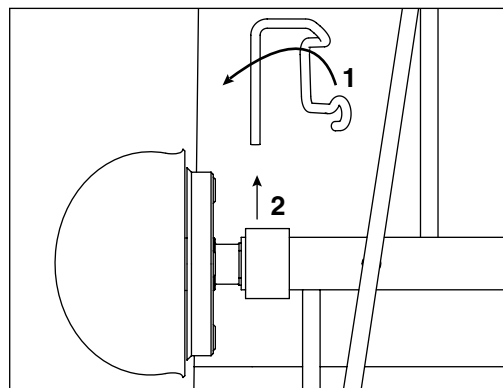


Abb. 17

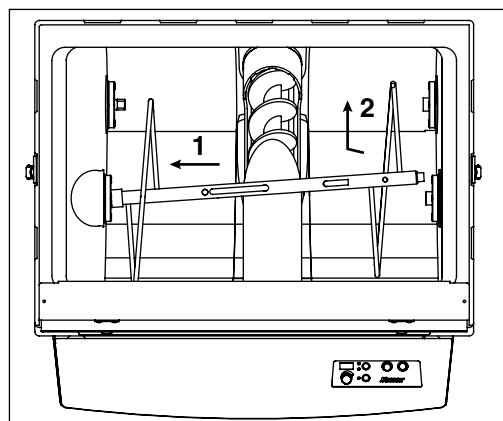


Abb. 18

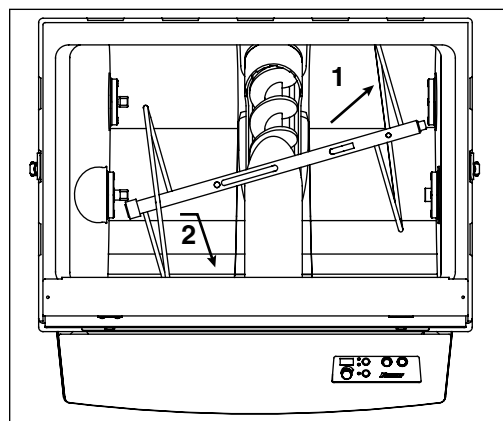
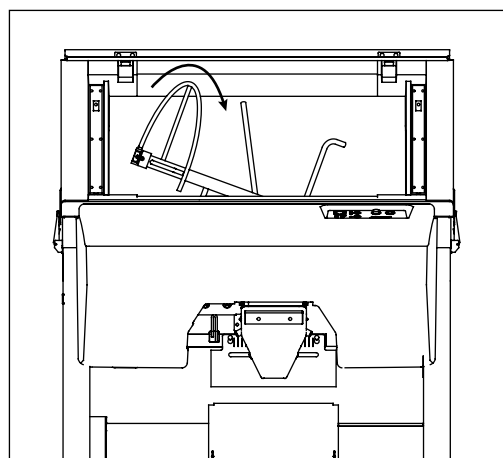
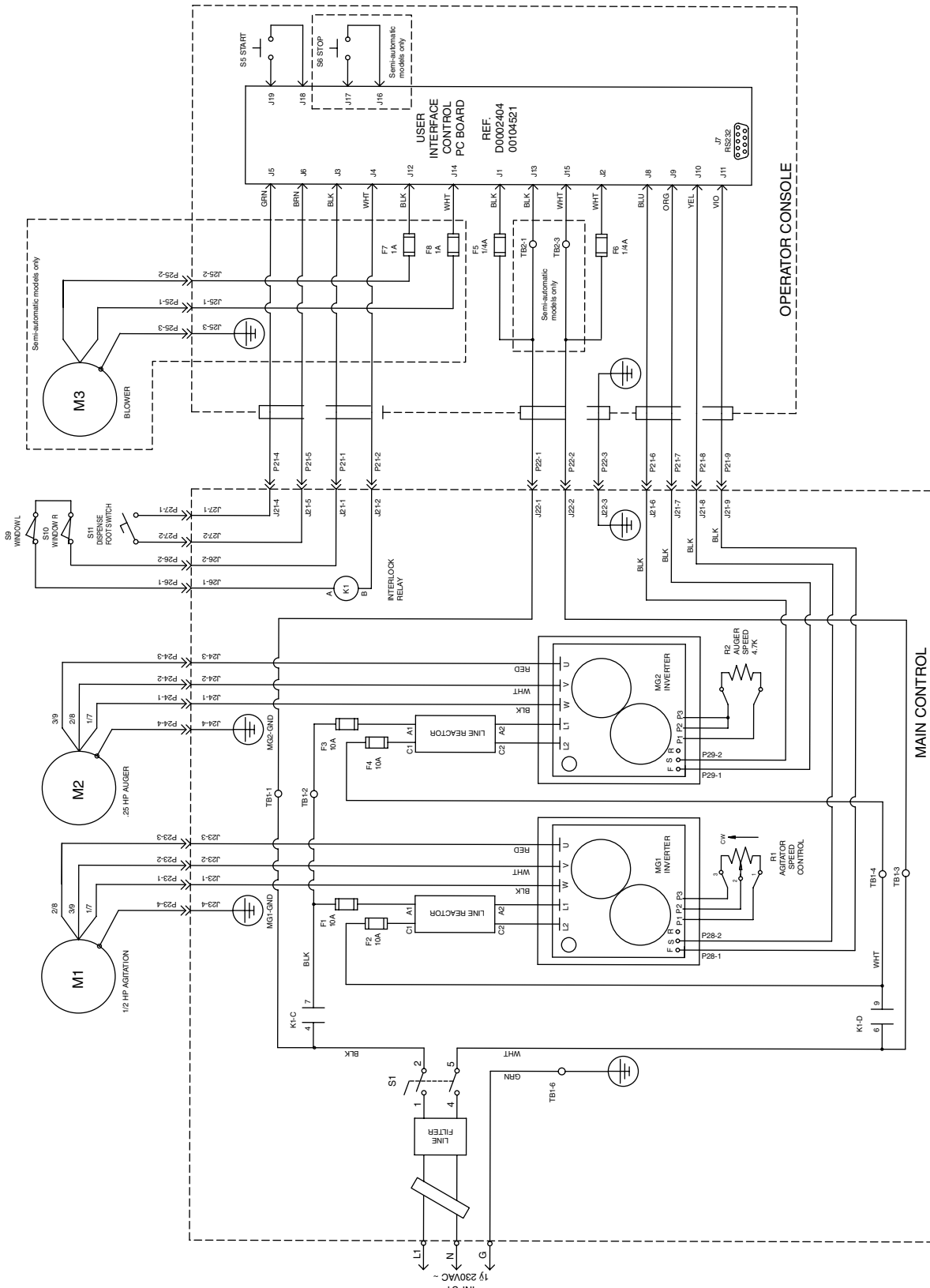


Abb. 19





Kundendienst

Bevor Sie den Kundendienst anrufen

1. Vergewissern Sie sich, dass sich Eis im Ausgabeautomaten befindet und dass keine festgewordenen Eiswürfel eine Blockierung verursachen.
2. Vergewissern Sie sich, dass sich der Sicherungsautomat und die Schalter in der EIN-Position (ON) befinden.
3. Vergewissern Sie sich, dass das Fenster fest aufliegt. Falls es etwas geöffnet ist, funktioniert der Ausgabeautomat nicht.
4. Vergewissern Sie sich, dass alle Abflüsse frei sein.

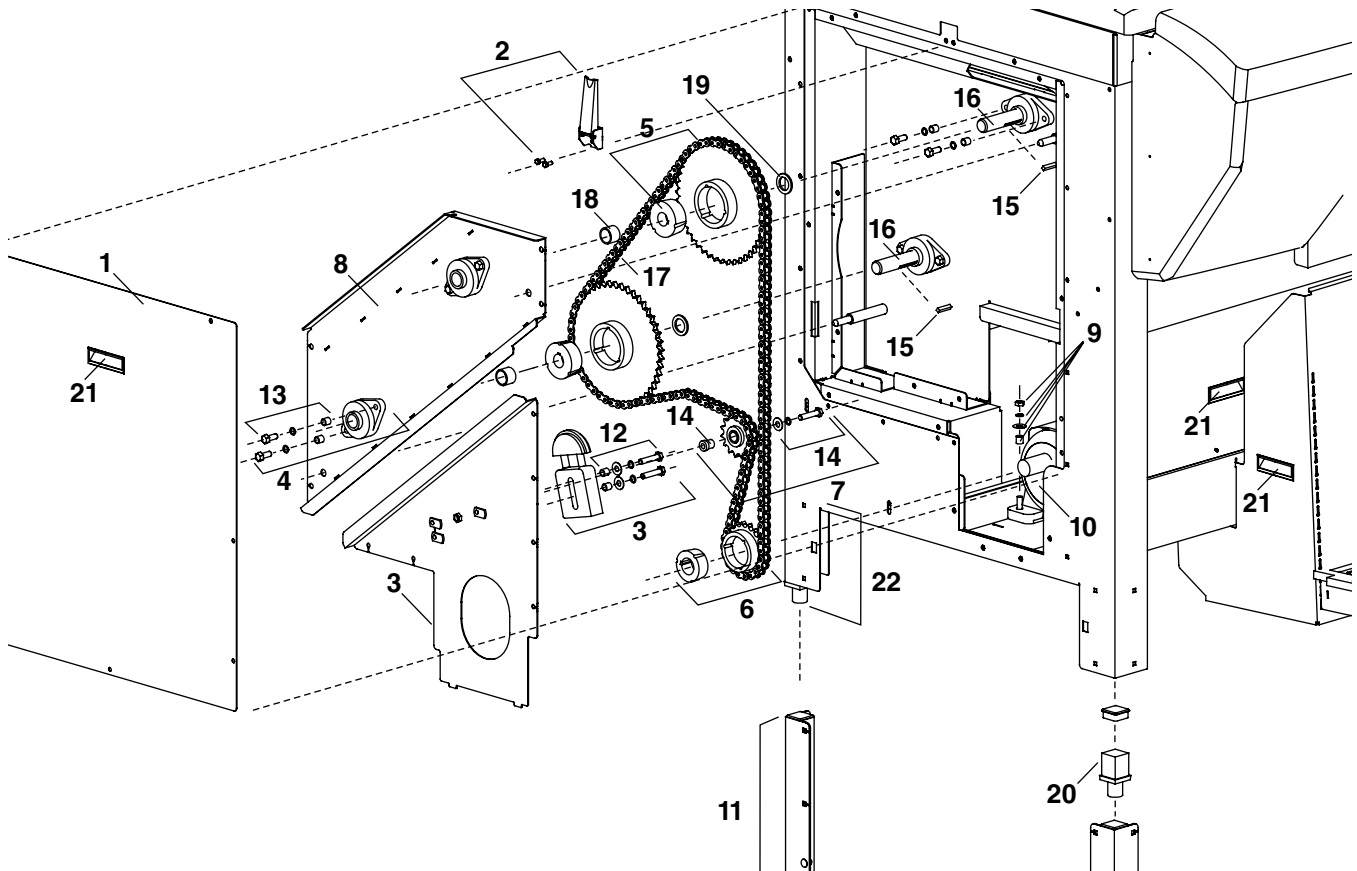
Anleitung zur Fehlersuche

Symptom	Mögliche Ursache	Lösung
Eis wird nicht ausgegeben	Kein Eis im Behälter Ausgabeschalter schließt nicht Fußpedal schließt nicht Bohrermotor funktioniert nicht Rührermotor funktioniert nicht Sowohl Bohrermotor als auch Rührermotor funktionieren nicht	Prüfen Sie den Betrieb des Eisbereiters Prüfen Sie Kontaktschließung Prüfen Sie die Kontaktschließung des Schalters innerhalb des Fußpedalgehäuses 1. Prüfen Sie den Strom zum Motor 2. Prüfen Sie den Ausgang vom entsprechenden Wechselrichter 3. Prüfen Sie Sicherungen und Stromzufuhr zum L1 & L2 des Wechselrichters 4. Überbrücken Sie die Anschlüsse F & S auf dem Wechselrichter. Wenn der Motor läuft, ersetzen Sie die Leiterplatte Hinweis: Die Spannung vom Wechselrichter und vom Bohrermotor muss mit einem Analogmesser getestet werden. 1. Prüfen Sie den Strom zum Motor 2. Prüfen Sie den Ausgang vom entsprechenden Wechselrichter 3. Prüfen Sie Sicherungen und Stromzufuhr zum L1 & L2 des Wechselrichters 4. Überbrücken Sie die Anschlüsse F & S auf dem Wechselrichter. Wenn der Motor läuft, ersetzen Sie die Leiterplatte Hinweis: Die Spannung vom Wechselrichter und vom Rührermotor muss mit einem Analogmesser getestet werden. 1. Vergewissern Sie sich, dass das Fenster am richtigen Platz ist 2. Vergewissern Sie sich, dass die beiden Fensterverriegelungsschalter vollständig heruntergedrückt sind 3. Vergewissern Sie sich, dass das Verriegelungsrelais eingeschaltet ist.
Beutel reißen beim Abfüllen Stifte ab	Beutelplattform ist nicht richtig eingestellt Beutel schlechter Qualität	Stellen Sie die Beutelplattform auf eine Kerbe über der Stelle ein, wo der Boden des Beutels die Plattform berührt Probieren Sie Beutel eines anderen Lieferers aus
Wenn Gebläse läuft, öffnet sich mehr als ein Beutel	Der Ausgabeschacht aus rostfreiem Stahl liegt nicht auf den Beuteln auf.	Bringen Sie den Schachthebel in die obere Position, so dass sich der rostfreie Stahlschacht in der hinteren Position befindet
Beutel öffnen sich nicht	Gebläseschalter ist nicht an Gebläserohr fehlt oder falsch positioniert Gebläsemotor hat keinen Strom	Gebläseschalter einschalten. Gebläserohr wieder einbauen/richtig positionieren Sicherungen und Stromleistung am Bedienfeld prüfen

Wenn nach Befolgung dieser grundlegenden Anleitung zur Fehlersuche das Problem weiterhin besteht, rufen Sie den technischen Kundendienst von Follett unter der Rufnummer (610) 252-7301 an.

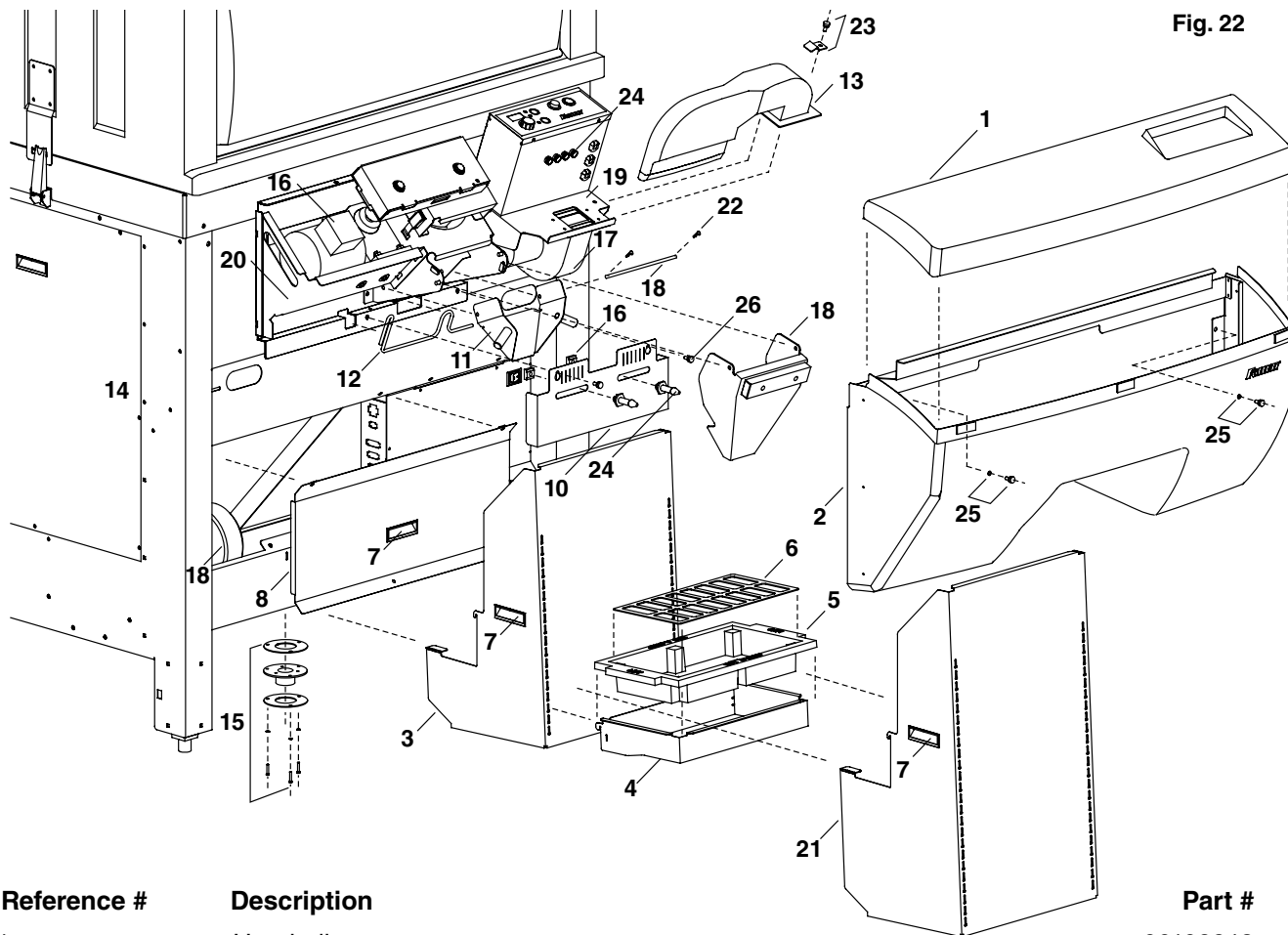
Replacement parts
Piezas de repuesto
Pièces de rechange
Ersatzteile

Fig. 21



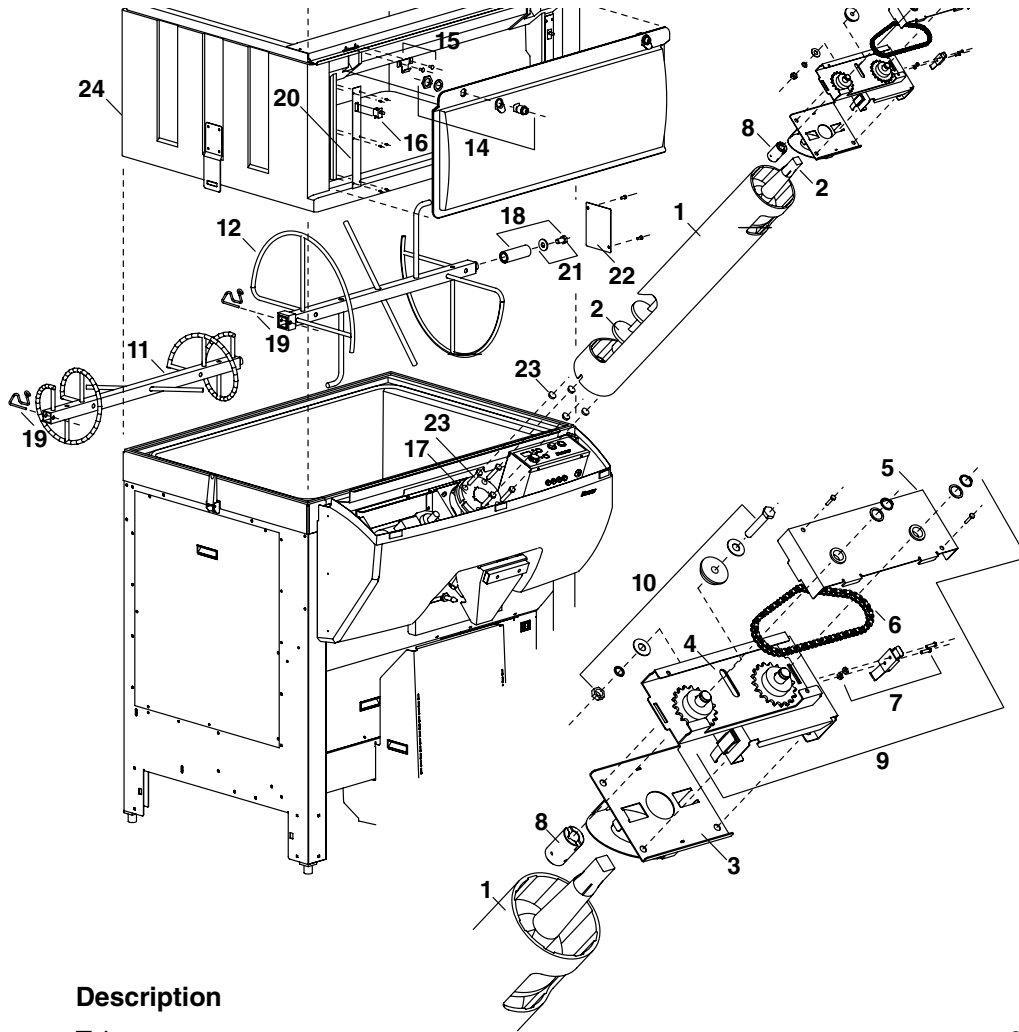
Reference #	Description	Part #
1	Panel, access, side	00109751
2	Latch, hopper	00109769
3	Tensioner (includes 00109868)	00109777
4	Bearing (includes 00109876)	00109785
5	Sprocket, agitator (includes 00101048)	00109793
6	Sprocket, drive	00109801
7	Sprocket, idler (includes 00109884)	00109819
8	Frame, outer bearing support (includes (2) 00109785, (2) 00109876)	00109827
9	Hardware, mounting, agitator motor	00109835
10	Motor, agitator (includes 00109835)	00109843
11	Leg, extension (one) (includes 00104315)	00109850
12	Hardware, mounting, tensioner (set of 2)	00109868
13	Hardware, mounting, bearing (set of 2)	00109876
14	Hardware, mounting, idler wheel (set of 2)	00109884
15	Key, coupling, drive	00101048
16	Coupling, drive (includes 00101048)	00105825
17	Chain	208652
18	Bushing, bronze	00104372
19	Shim	00104786
20	Insert, leg	00104315
21	Handle, insert	00104299
22	Leg, standard (includes 00104315)	00111021
Not shown	Hardware, leg mounting (set of 4)	00109900

Fig. 22



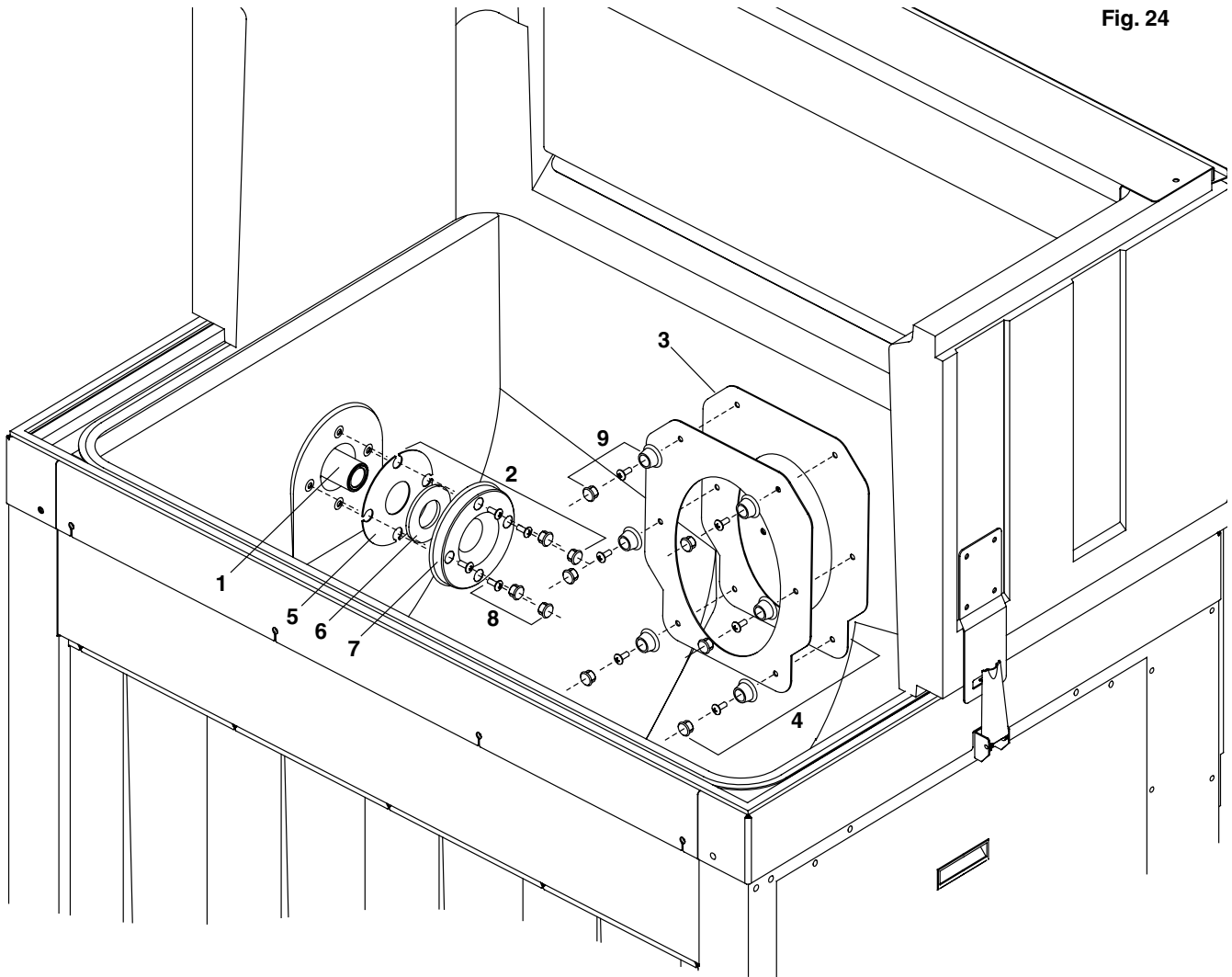
Reference #	Description	Part #
1	Hood, dispense	00109918
2	Cover, dispense (includes 00111039)	00109926
3	Bag stand (includes (2) 00104299)	00109934
4	Frame, drain pan	00109942
5	Drain pan	00104380
6	Grille	00105668
7	Handle, insert	00104299
8	Panel, access, front (includes 00104299)	00109959
9	Chute, outer, dispense	00109967
10	Bracket, bag hanger (includes (2) 00111088, (2) 00111047, (2) 500915)	00109975
11	Chute, inner, dispense	00109983
12	Actuator, chute (includes 00111062)	00109991
13	Duct, blower (includes 00111070)	00110007
14	Panel, access, side	00109751
15	Fitting, drain	00110023
16	Motor, auger (includes 00110080)	00110031
17	Blower	00110049
18	Shaft, pivot, inner chute (includes (2) 00111070)	00110056
19	Bracket, blower/control box	00110064
20	Bracket, auger drive (includes 00110304)	00110072
21	Bag stand, extended (includes (2) 00104299)	00111054
22	Cotter pin	208892
23	Mounting hardware, air duct	00111070
24	Pin, bag support	208626
25	Mounting hardware, dispense cover	00114892
26	Thumbscrew	500915
27	T-nut	208940
Not shown	Hardware, mounting, auger motor (set of 4)	00110080
Not shown	Collar, dispense feed	00102970
Not shown	Mounting hardware, bracket, auger drive (set of 8)	208755

Fig. 23



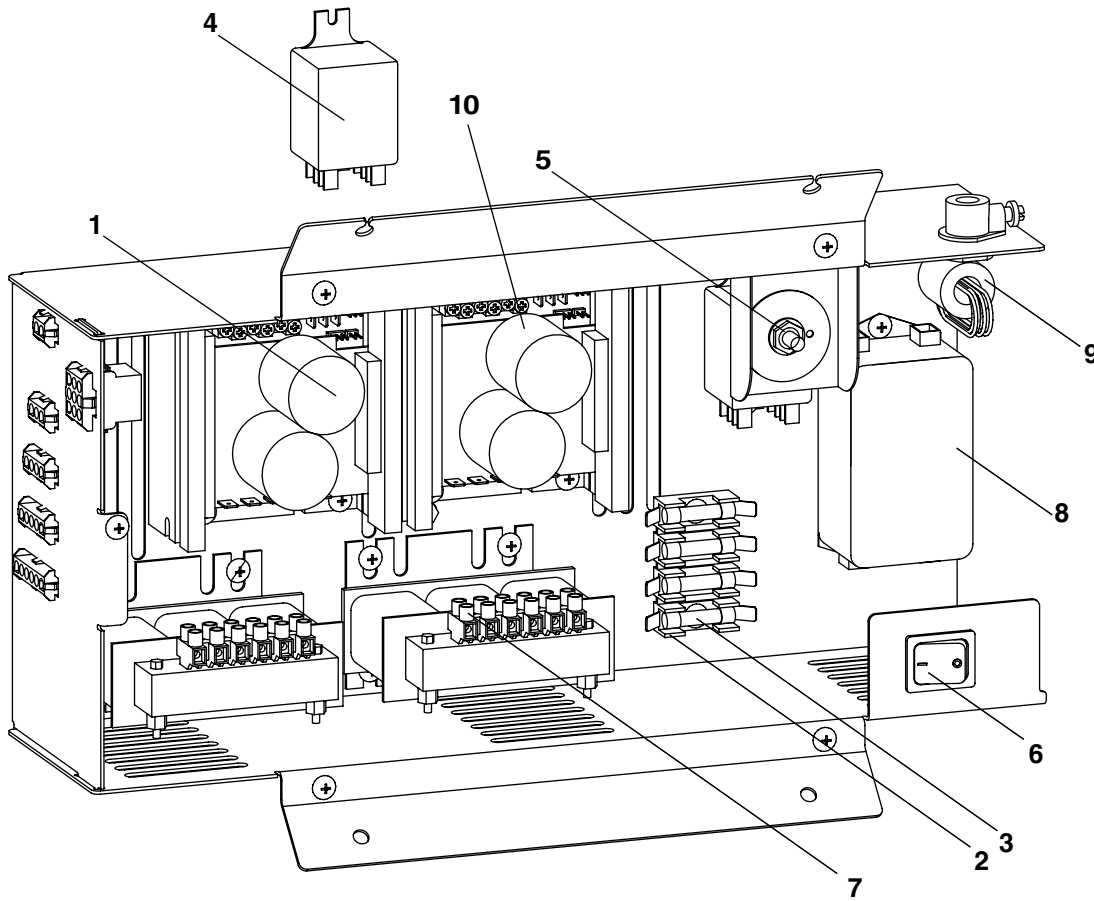
Reference #	Description	Part #
1	Tube, auger	00100958
2	Auger	208816
3	Deflector, ice	00110106
4	Plate, lower, auger drive	00110114
5	Plate, cover, auger drive	00110122
6	Chain, auger drive	208935
7	Latch, auger drive	00110148
8	Coupling, auger motor	00110155
9	Transmission, auger drive (includes 00110114, 00110122, 00110130, 00110155, 00110171)	00110163
10	Tensioner, auger chain	00110171
11	Agitator, lower (includes 00110262)	00110189
12	Agitator, upper (includes 00110262)	00110197
13	Window, inspection (includes 00110213)	00110205
14	Latch, window	00110213
15	Catch, window	00110221
16	Switch, safety	208675
17	Bearing, auger (includes 00110296)	00110247
18	Bearing, agitator (includes 00110270)	00110254
19	Pin, lock, agitator	00110262
20	Cover, switch plate	00101345
21	Hardware, mounting, agitator bearing	00110270
22	Plate, access, agitator bearing	00110288
23	Hardware, mounting, auger bearing (set of 4)	00110296
24	Hopper, upper section (includes 00110205)	00111096
Not shown	Bracket, brush, hopper cleaning	00115949
Not shown	Brush, hopper cleaning	00107839
Not shown	Pole, extension, brush	00107821

Fig. 24



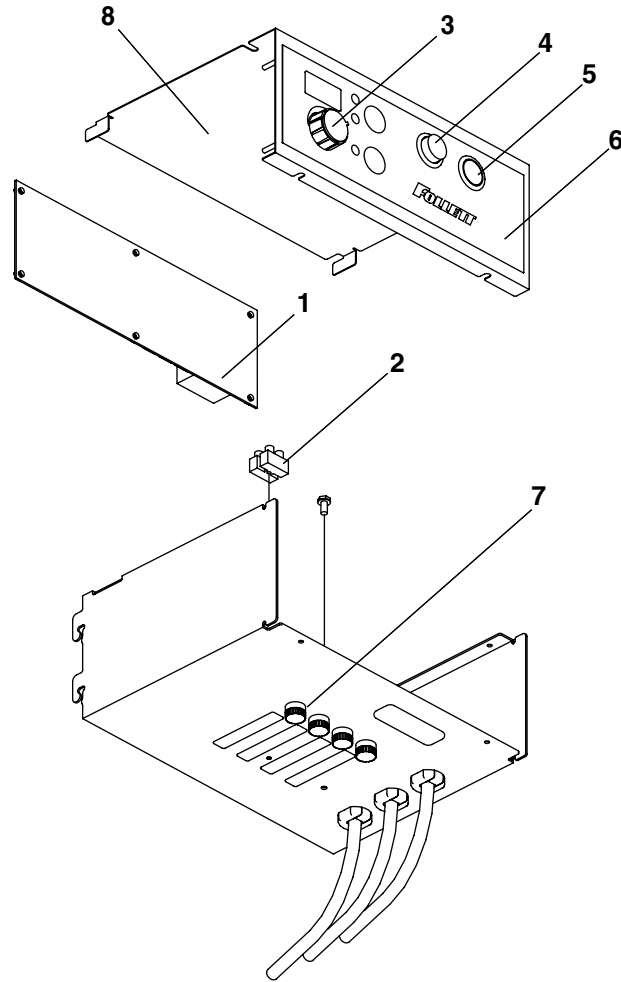
Reference #	Description	Part #
1	Bearing, agitator support	00110254
2	Kit, shaft seal, agitator (includes 00110338)	00110312
3	Gasket, tube seal, auger	00102061
4	Kit, tube seal, auger (includes 00102061, 00110346)	00110320
5	Base, seal	00101220
6	Seal, agitator	00103911
7	Collar, seal	00101535
8	Hardware, mounting, shaft seal (set of 4)	00110338
9	Hardware, mounting, tube seal (set of 6)	00110346

Fig. 25



Reference #	Description	Part #
1	Inverter, auger	00146241
2	Fuse holder	00105411
3	Fuse, 10 amp	208823
4	Relay	00126359
5	Potentiometer, agitator speed	00110395
6	Switch, rocker	00110403
7	Reactor, 3 phase	00126300
8	Filter, line	00126318
9	Core	00126326
10	Inverter, agitator	00146258

Fig. 26



Reference #	Description	Part #
1	Control board	00104521
2	Terminal strip	00126342
3	Control knob	00105528
4	Switch, stop	00105429
5	Switch, start	00101212
6	Label, console	00106054
7	Fuse holder	208915
8	Cover, console (includes 00106054)	00129858
Not shown	Fuse, 1/4 amp	208825
Not shown	Fuse, 1 amp	208826

