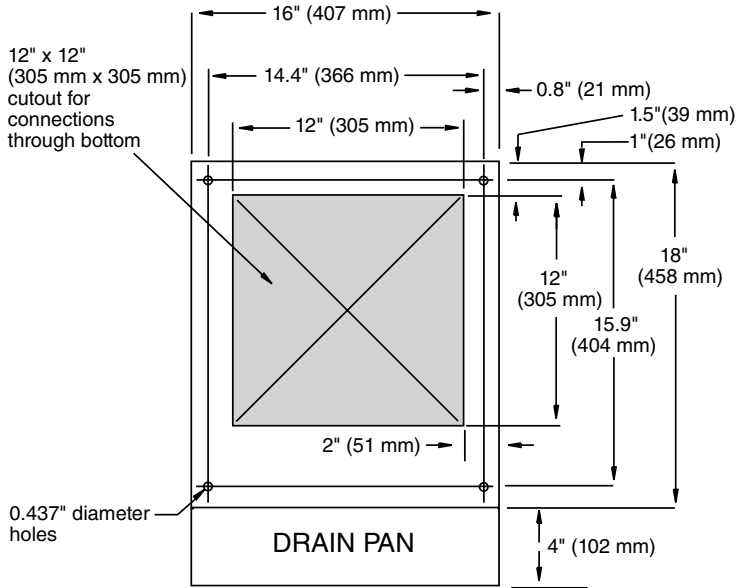
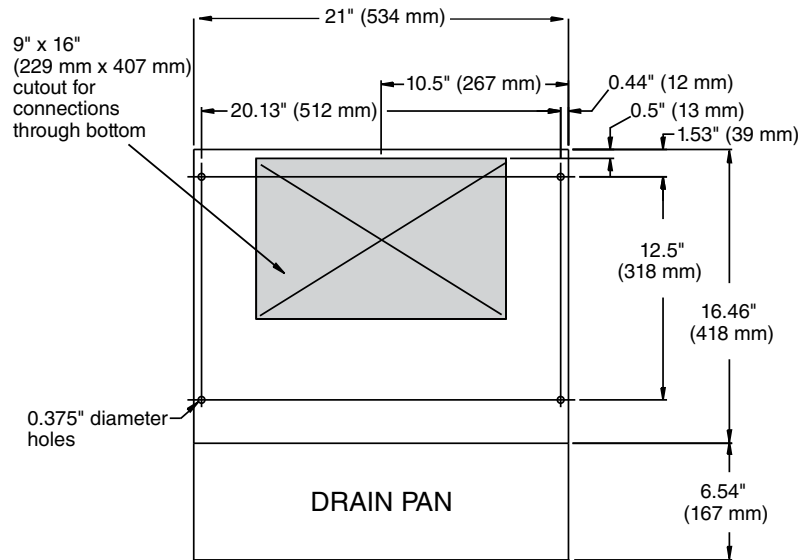


**Counter cutout details for 12, 25, 50 and 110 series dispensers**

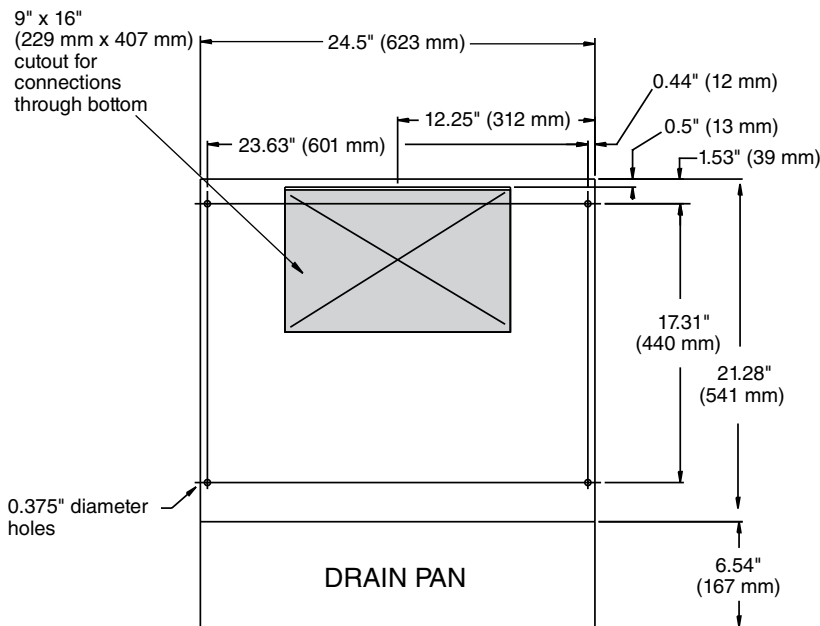
**12 Series Counter Cutout**



**25 and 50 Series Counter Cutout**



**110 Series Counter Cutout**



**Important notes for all countertop models**

Cutouts shown are for electric, water and drain connections made through the counter. Connections can also be made out the rear of the dispenser if desired. Rear connections do not require counter cutouts.

Regardless of how the connections will be run, anchoring holes must be drilled in the counter as shown and anchoring bolts installed to secure dispensers sitting directly on the counter.

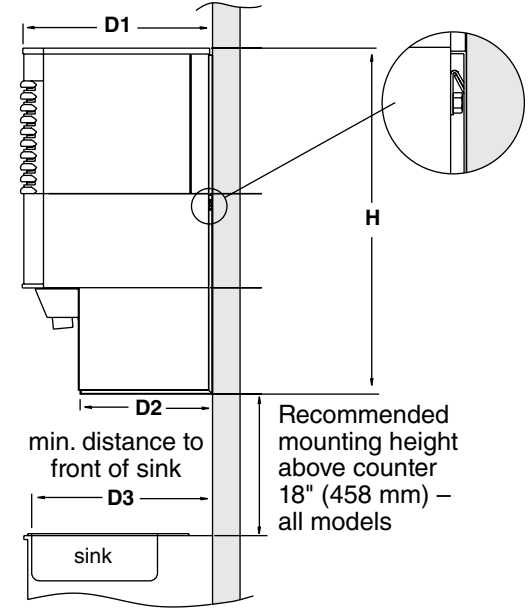
# Wall mount specifics and clearance information for all models

## Important notes for wall mounted dispensers

- No drain pan is provided since the dispenser is intended to be installed above a sink. (Contact Follett® if a drain pan is desired.)
- SensorSAFE™ infrared dispensing is standard
- 12HI400A bracket requires 13" (331 mm) on center mounting for securing and will require wall bracing in most applications
- 25 and 50 series brackets secure to 16" (407 mm) on center studs with 1" (26 mm) left to right alignment possible

## Minimum sink width

Model	Centered under dispenser	Centered under chutes
12 series	16" (407 mm)	11.5" (293 mm)
25/50 series	21" (534 mm)	14.5" (369 mm)



## Wall mount model dimensions

Model	Width	D1	D2	D3	Height
12HI400A*	16.0" (407 mm)	23.0" (585 mm)	18.50" (470 mm)	24.5" (623 mm)	32.5" ( 825 mm)
25HR400A/W*	21.0" (534 mm)	24.0" (610 mm)	17.00" (432 mm)	23.0" (584 mm)	26.5" ( 674 mm)
25HI400A	21.5" (547 mm)	24.5" (623 mm)	17.00" (432 mm)	23.0" (584 mm)	36.5" ( 928 mm)
25HT400A/W	21.0" (534 mm)	24.0" (610 mm)	17.00" (432 mm)	23.0" (584 mm)	44.0" (1118 mm)
50HR400A/W*	21.0" (534 mm)	24.0" (610 mm)	17.00" (432 mm)	23.0" (584 mm)	30.5" ( 775 mm)
50HI400A	21.5" (547 mm)	24.5" (623 mm)	17.00" (432 mm)	23.0" (584 mm)	40.5" (1029 mm)
50HT400A/W	21.0" (534 mm)	24.0" (610 mm)	17.00" (432 mm)	23.0" (584 mm)	48.0" (1220 mm)

\* Includes alternate voltage models. For 220 V, 60 Hz, use "C" as the prefix to the model number. For 230 V, 50 Hz, use "E" as the prefix. For example, E12HI400A.

## Clearance requirements – all models

Model	Required ventilation clearance		Recommended clearance for service
	Air-cooled	Water-cooled	Air- and Water-cooled
12CI400A* 12HI400A*	6" (153 mm) at top, 6" (153 mm) right side	n/a	12" (305 mm) at top
25CI400A/W 25HI400A	3" (77 mm) each side	zero	12" (305 mm) at top, 6" (153 mm) left side
25CT400A/W* 25CR400A/W* 25HT400A/W* 25HR400A/W*	6" (153 mm) at top	zero	12" (305 mm) at top
50CI400A/W 50HI400A	3" (77 mm) each side	zero	12" (305 mm) on top, 6" (153 mm) left side
50CT400A/W* 50CR400A/W* 50HT400A/W* 50HR400A/W*	6" (153 mm) at top	zero	12" (305 mm) at top

\* Includes alternate voltage models. For 220 V, 60 Hz, use "C" as the prefix to the model number. For 230 V, 50 Hz, use "E" as the prefix. For example, E12HI400A.

SensorSAFE and Symphony are trademarks of Follett Corporation.  
Follett is a registered trademark of Follett Corporation, registered in the US.