

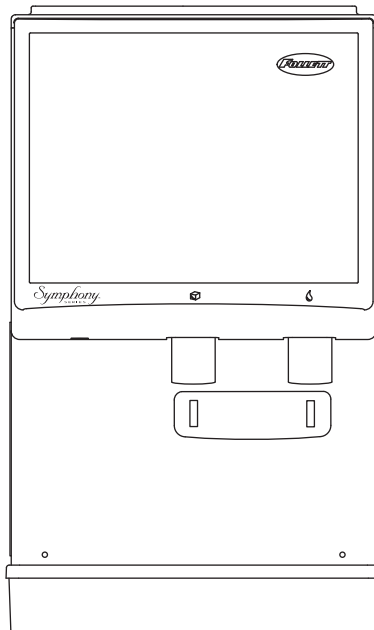
Symphony

Ice and Water Dispensers

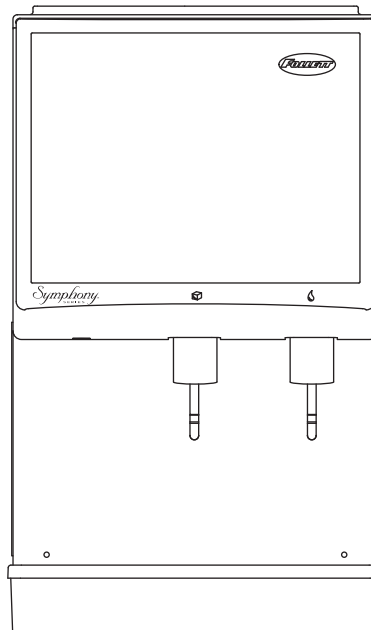
25CI400A/W, 25HI400A, 50CI400A/W, 50HI400A

Order parts online
www.follettice.com

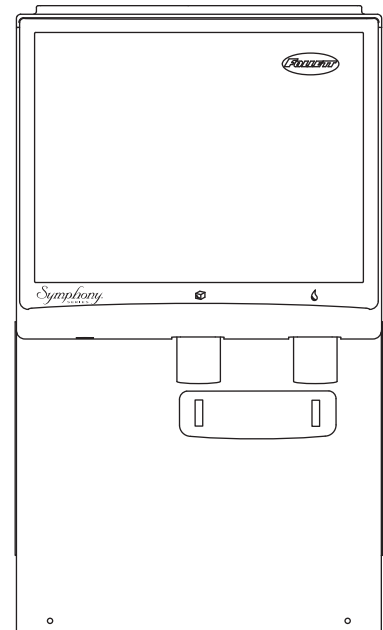
Installation, Operation and Service Manual



25CI400A-S Countertop Dispenser
with SensorSAFE™ Dispensing



25CI400A/W-L Countertop Dispenser
with Lever Dispensing



25HI400A-S Wall Mount Dispenser
with SensorSAFE Dispensing

**Following installation, please forward this manual
to the appropriate operations person.**

Contents

Welcome to Follett	3	Wiring diagram - SensorSAFE model	22
Before you begin	3	Icemaker operational and diagnostic sequences	23
Contact Information	3	Circuitry notes	23
Specifications	4	Normal operation – Stage 1	24
Electrical	5	Normal operation – Stage 2	24
Ambient	5	Normal operation – Stage 3	25
Plumbing	5	Normal operation – Stage 4	25
Ventilation and service clearances	5	Normal operation – Stage 5	26
Uncrated weight	5	Normal operation – Stage 6	26
Installation	6	Diagnostic sequence – Stage 7	27
Before you begin	6	Diagnostic sequence – Stage 8	27
Installing countertop dispensers with rear exiting utilities (no legs)	6	Diagnostic sequence – Stage 9	28
Installing countertop dispensers with bottom exiting utilities	6	Diagnostic sequence – Stage 10	28
Installing wall mount dispensers	8	Refrigeration cycle	29
Icemaker cleaning & sanitizing	10	Refrigeration data	30
Quarterly air filter cleaning	10	Ice production	30
Semi-annual icemaker cleaning & sanitizing	10	Ice capacity test	30
Cleaning solution	10	Compressor current draw	30
Sanitizing solution	10	Gearmotor data	30
Start-up following cleaning	11	Refrigeration system	30
Dispenser cleaning & sanitizing	12	Icemaker charge specifications	30
Cleaning solution	12	Refrigerant replacement requirements	30
Sanitizing solution	12	Evacuation	30
Daily cleaning	12	Ambients	30
Weekly cleaning	12	Dispenser troubleshooting	31
Cleaning SensorSAFE lens	12	Before calling for service	31
Semi-annual cleaning and sanitizing of dispenser hopper	12	Lever model troubleshooting guide	31
Service	13	SensorSAFE model troubleshooting guide	31
Icemaker operation	13	Board guide	31
The icemaking process	13	Lens/sensor troubleshooting	31
Ice harvest system diagram	13	Icemaker troubleshooting	32
Disassembly and replacement instructions	14	Dispenser replacement parts	34
Dispense wheel removal and installation	14	Dispenser exterior	34
Drive bar removal	14	Dispense chute and splash panel areas – lever models	35
Wheel motor assembly removal	14	Dispenser electrical box – lever models	36
Ice transport tube replacement	14	Dispense chute and splash panel areas – SensorSAFE models	37
Icemaker removal	15	Dispenser electrical box – SensorSAFE models	38
Evaporator disassembly	18	Wheel motor and drive system	39
Evaporator reassembly	18	Water and drain	40
Gearmotor replacement	19	Icemaker replacement parts	41
Fan removal	19	Evaporator	41
Electrical systems	20	Air-cooled icemakers	42
Electrical component locations	20	Water-cooled icemakers	44
Wiring diagram - lever dispense model	21	Icemaker electrical components	46

Welcome to Follett

Follett equipment enjoys a well-deserved reputation for excellent performance, long-term reliability and outstanding after-the-sale support. To ensure that this equipment delivers that same degree of service, we ask that you take a moment to review the installation portion of this manual before beginning to install the unit. Our installation instructions are designed to help you achieve a trouble-free installation. Should you have any questions or require technical help at any point, please call our technical service group at (877) 612-5086 or +1 (610) 252-7301.

Note: To expedite assistance, all correspondence or communication **MUST** include the model number, serial number and complete and detailed explanation of the problem

Before you begin

After uncrating and removing all packing material, inspect the equipment for concealed shipping damage. If damage is found, notify the shipper immediately and contact Follett Corporation so that we can help in the filing of a claim, if necessary.

Check your paperwork to determine which model you have. Follett model numbers are designed to provide information about the type and capacity of Follett ice dispensing equipment. Following is an explanation of the different model numbers.

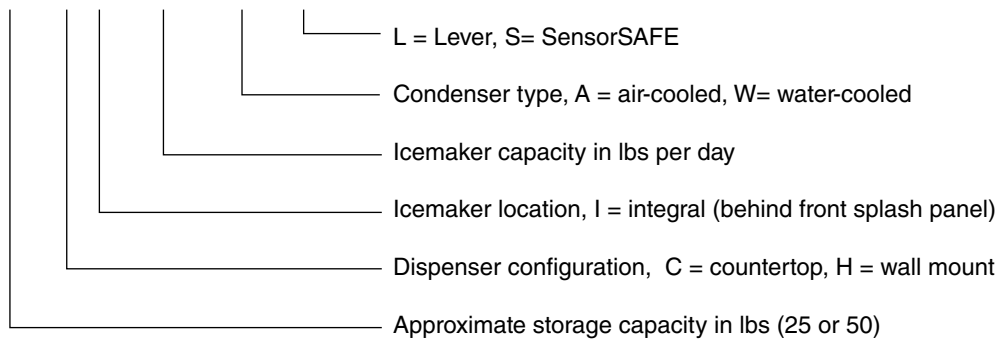
IMPORTANT

- Only qualified technicians should attempt to service or maintain this ice and water dispenser
- No service or maintenance should be undertaken until the technician has thoroughly read this service manual

Contact Information

FOLLETT CORPORATION, 801 Church Lane, Easton, PA 18040 USA
Phone: toll free (877) 612-5086 or +1 (610) 252-7301
Web site: www.follettice.com

25CI400A-L



⚠ CAUTION

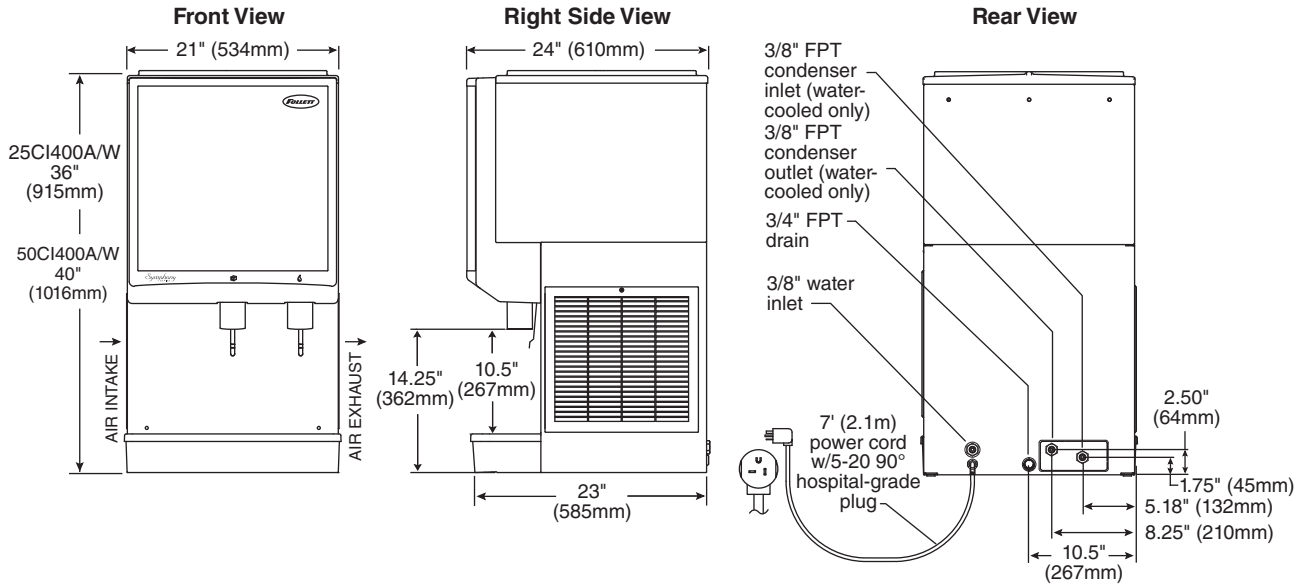
- Do not tilt any unit further than 30° off vertical during uncrating or installation
- Dispenser bin area contains mechanical, moving parts. Keep hands and arms clear of this area at all times. If access to this area is required, power to unit must be disconnected first.
- Ice is slippery. Be sure counters and floors around dispenser are clean, dry and free of ice.
- Do not block left side air intake or right side air exhaust

IMPORTANT NOTICE

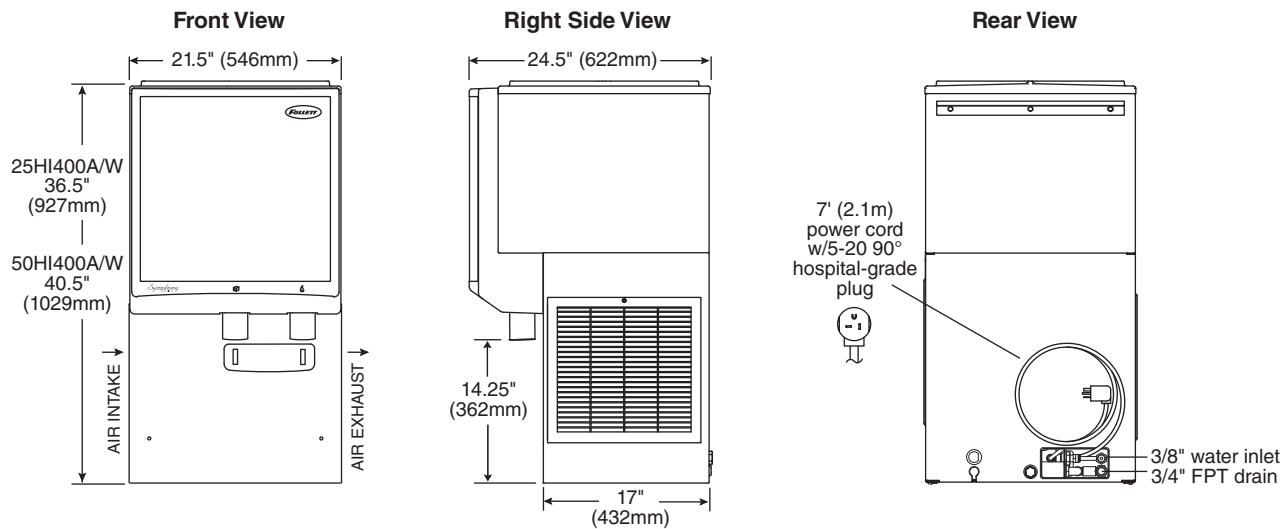
- Follett recommends a Follett QC4-FL4S water filter system (item# 00130229) be installed in the icemaker inlet water line
- Prior to operation clean and sanitize the dispenser in accordance with instructions found in this manual

Specifications

Countertop



Wall mount



Electrical

115V, 60Hz, 1 phase, 14.0 amps. Connect to dedicated 20 amp circuit, fuse or breaker.

Note: It is preferred that circuit be protected by a GFCI.

Furnished with 7 ft (2m) power cord with a 90° NEMA hospital grade 5-20 plug.

Ambient

	Maximum	Minimum
Air temp	100 F/38 C (Best performance below 80 F/27 C)	50 F/10 C
Water temp	90 F/32 C (Best performance below 70 F/21 C)	40 F/4 C
Water pressure	70 P.S.I.	10 P.S.I.

Plumbing

	Connections – 25/50CI400A/W	Rough-ins – 25/50HI400A/
Dispenser drain	All – 3/4" FNPT	Air-cooled – 3/4" FNPT
Water inlet	All – 3/8" FNPT	All – 1/2" FNPT
Condenser inlet	Water-cooled – 3/8" FNPT	N/A
Condenser outlet	Water-cooled – 3/8" FNPT	N/A

Note: Water shut-off recommended within 10 feet (3m) of dispenser. Drain to be hard-piped and insulated. Maintain at least 1/4" per foot (20mm per 1m run) of slope on horizontal runs.



CAUTION

- Do not block left side air intake or right side air exhaust

Ventilation and service clearances

	Air-cooled	Water-cooled
Required for ventilation	3" (77mm) each side	N/A
Suggested for service	12" (305mm) top, 6" (153mm) left side	12" (305mm) top

Uncrated weight

25/50CI400A/W (countertop) 215 lbs (98kg)
25/50HI400A (wall mount) 230 lbs (105kg)

Installation

Before you begin


Level dispenser in both directions to ensure proper operation.

Provide clearances noted in clearances table on page 5.

Countertop models provide the option of taking utilities out bottom or back of dispenser.

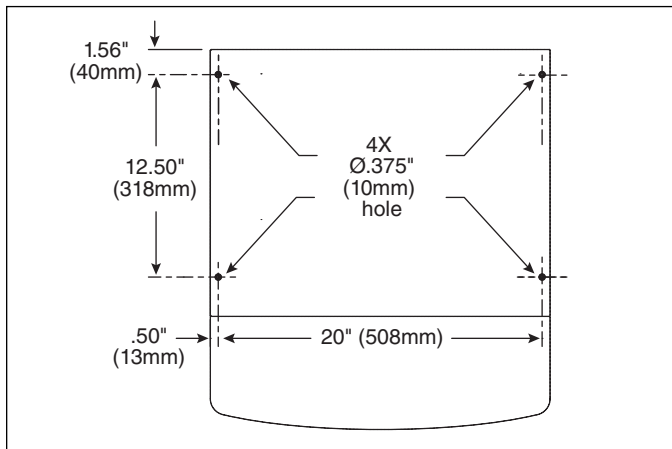
Wall mount model utilities exit through back of dispenser only.

Directions for each installation follow.

WARNING	
	<ul style="list-style-type: none"> • DO NOT LIFT UNIT AT THESE POINTS. Panels will not support weight of unit • Failure to follow warning may result in equipment damage or personal injury

Installing countertop dispensers with rear exiting utilities (no legs)

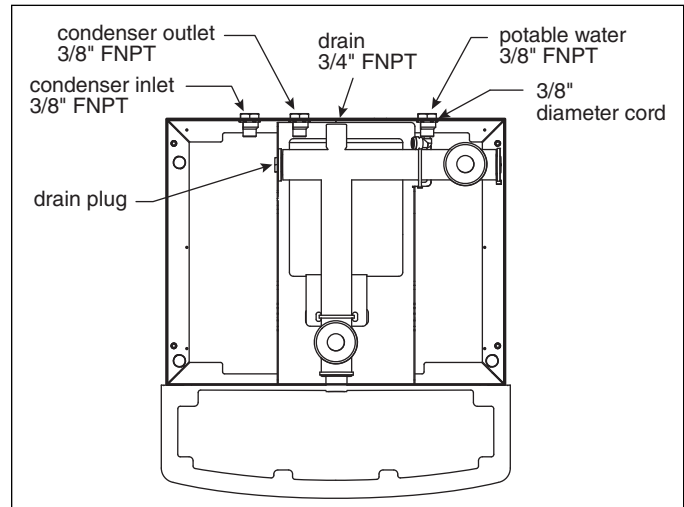
Fig. 1
Countertop anchoring locations



1. Position dispenser in desired location.
2. Mark dispenser outline on counter and remove dispenser.
3. Drill four 7/16" holes in counter to anchor dispenser to counter (Fig. 1).
4. Apply a thick bead approximately 1/4" (7mm) diameter of NSF listed silicone sealant (Dow Corning*1 RTV-732 or equivalent) 1/4" (7mm) inside marked outline of dispenser.
5. Reposition dispenser on counter and secure to counter with four 3/8"-16NC bolts.
6. Smooth excess sealant around outside of dispenser.

* Dow Corning is a register trademark of Dow Corning Corporation in the United States and other countries

Fig. 2
Utility connections as viewed from top for countertop back access



7. Make utility connections (Fig. 2).

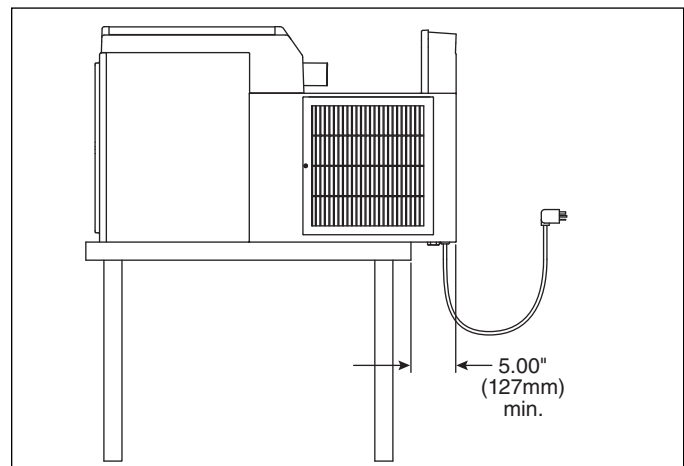
CAUTION	
<ul style="list-style-type: none"> • Do not connect water-cooled condenser outlet line to the dispenser drain line. 	

8. Turn on water supply and check for leaks.
9. Clean and sanitize dispenser and icemaker before putting into service.
10. Turn power on and allow icemaker to produce ice.

Installing countertop dispensers with bottom exiting utilities

WARNING	
<ul style="list-style-type: none"> • A sturdy work surface capable of supporting the entire dispenser must be used • The work surface must be large enough to accommodate height of dispenser • Failure to provide proper support may result in personal injury 	

Fig. 3



1. Position dispenser with dispense chutes facing upward on sturdy work surface (Fig. 3).

Fig. 4

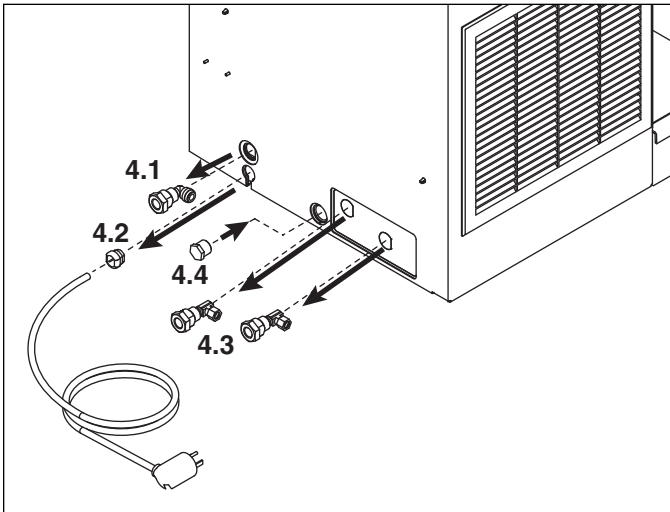
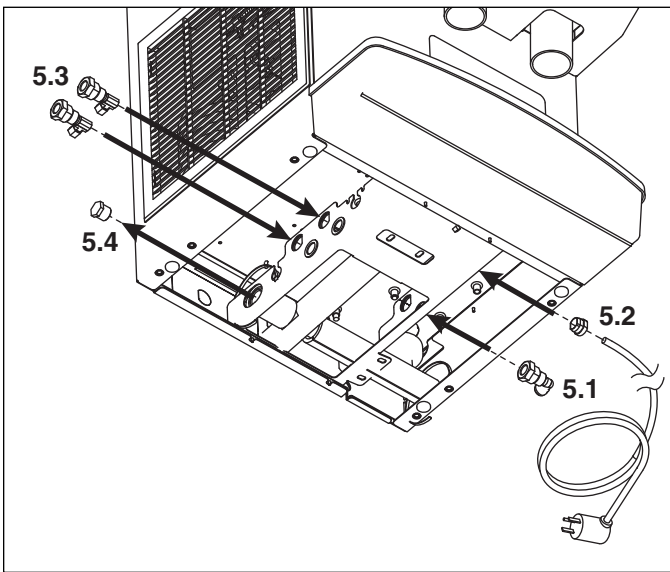


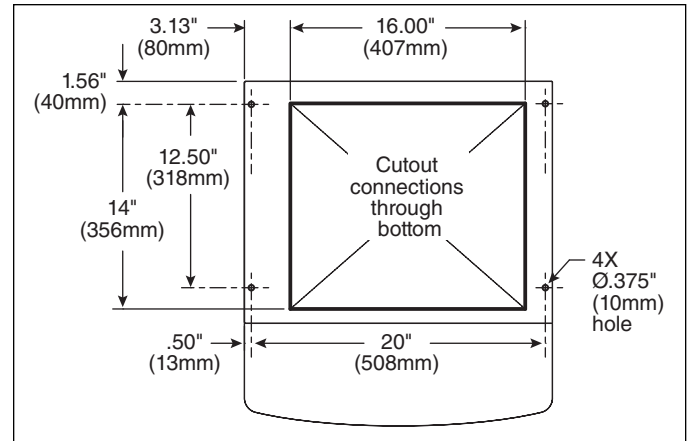
Fig. 5



2. Disconnect the internal water line from the potable water connection fitting.
3. Remove fitting from the back wall of the dispenser (Fig. 4.1).
4. Relocate fitting to internal bulkhead and reconnect (Fig. 5.1).
6. Remove power cord strain relief (Fig. 4.2).
7. Relocate the cord and strain relief to the internal bulkhead and reconnect (Fig. 5.2).
8. **Water-cooled only.** Disconnect internal condenser water inlet and outlet fittings (Fig. 4.3).
9. **Water-cooled only.** Relocate water inlet and outlet fittings and reconnect (Fig. 5.3). **Note:** The water inlet is connected to the condenser; the outlet line is connected to the water regulating valve.
10. Remove the drain plug from the internal drain line connection point (Fig. 5.4).
11. Relocate to back of dispenser and reconnect (Fig. 4.4).

12. Raise the dispenser upright and position in desired location.
13. Mark dispenser outline on counter and remove dispenser.

Fig. 6
Countertop cutout viewed from top



14. Cut countertop utility opening and drill four 7/16" holes to anchor dispenser to counter (Fig. 6).
15. Apply a thick bead approximately 1/4" (7mm) diameter of NSF listed silicone sealant (Dow Corning* RTV-732 or equivalent) 1/4" (7mm) inside marked outline of dispenser.
16. Reposition dispenser on counter and secure to counter with four 3/8"-16NC bolts.
17. Smooth excess sealant around outside of dispenser.
18. Make utility connections through countertop cutout.

CAUTION
<ul style="list-style-type: none"> • Do not connect water-cooled condenser outlet line to the dispenser drain line.

19. Turn on water supply and check for leaks.
20. Clean and sanitize dispenser and ice machine before putting into service.
21. Turn power on and allow icemaker to produce ice.

Installing wall mount dispensers

WARNING

- Wall mount dispensers are intended to be mounted above a sink, eliminating the need for a drain pan.
- Before beginning installation verify that the sink size and location meet the requirements shown in Fig. 7.
- If requirements are not met, a drain pan must be used to prevent ice and water from falling on counter or floor.
- FAILURE TO TAKE THESE PRECAUTIONS COULD RESULT IN SLIPS AND FALLS ON WET FLOORS

Fig. 7
Minimum sink requirements (without drain pan)

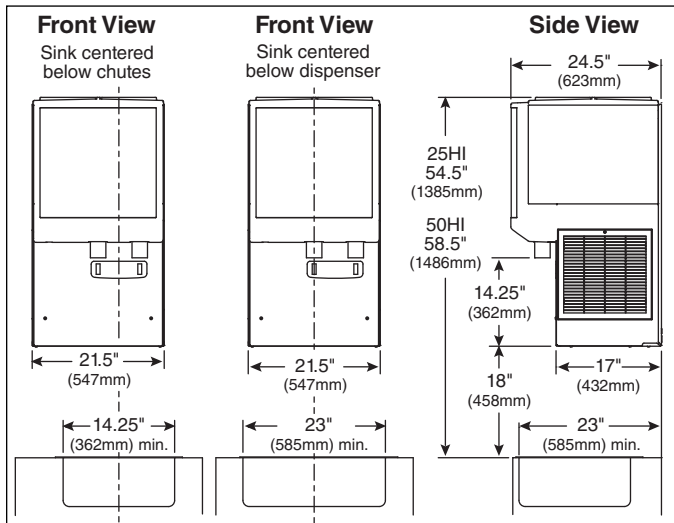


Fig. 8
Wall bracket location guide

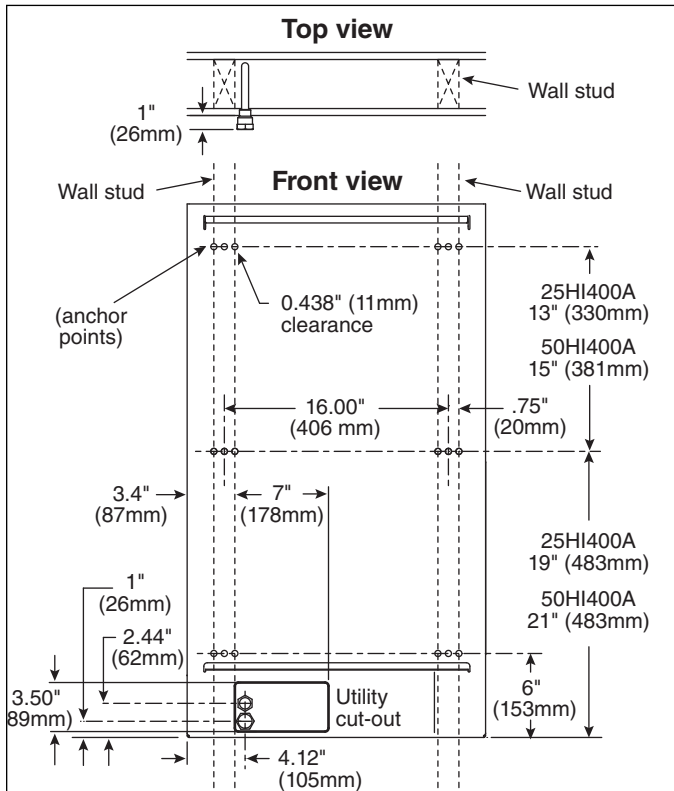
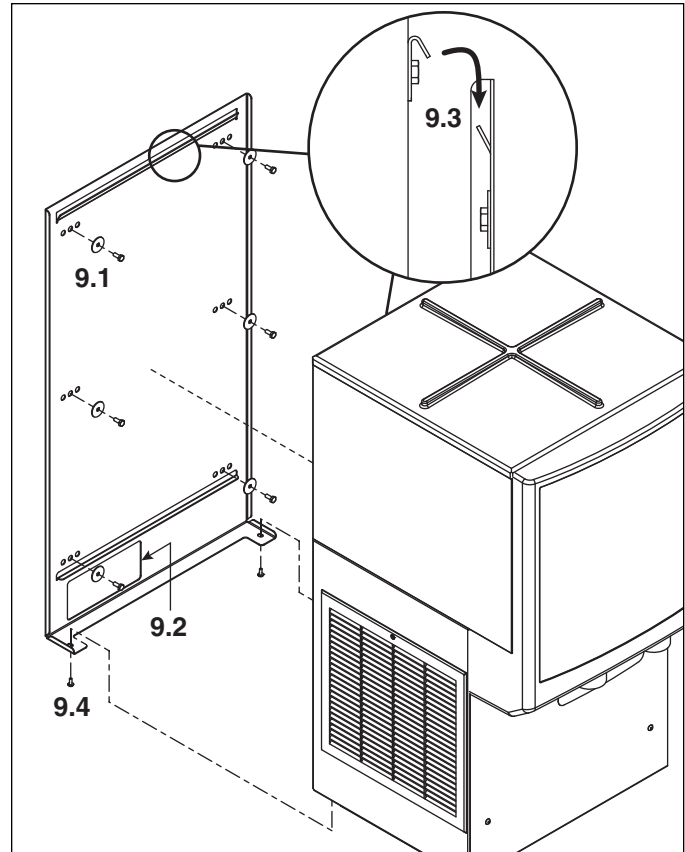
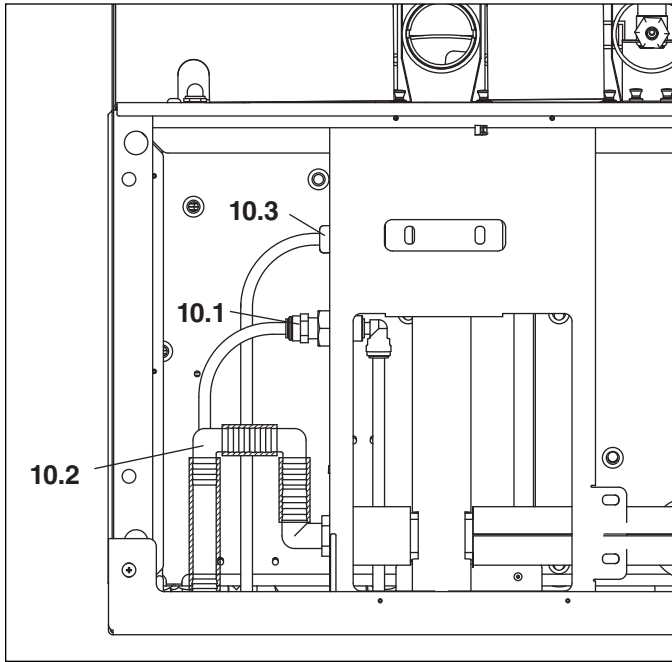


Fig. 9



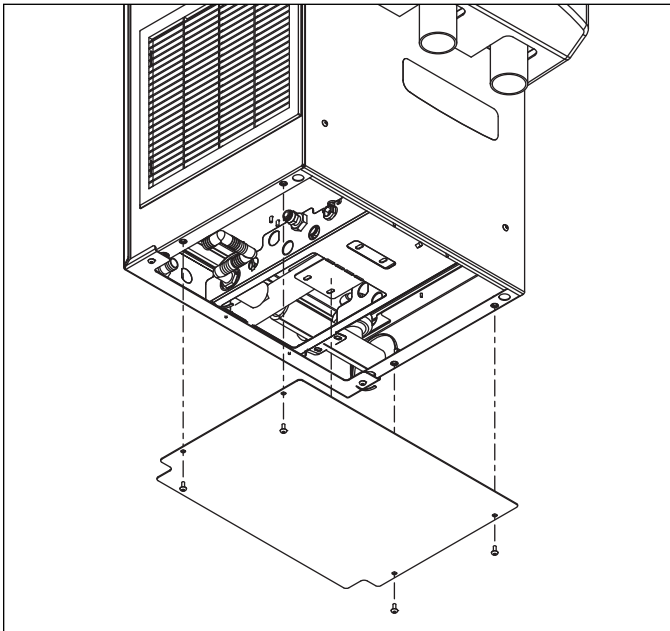
1. Using Fig. 8 as a guide, locate wall bracket mounting position relative to wall studs.
2. Install the supplied wall bracket with six 3/8" diameter fasteners (Fig. 9.1).
Note: Three holes are available at each fastening site to allow capture of studs or supports within the wall.
2. Locate and cut utility hole in wall using Fig. 8 dimensions (9.2).
3. Rough in utilities. Wall mount bracket dimensions (Fig. 8) can be used as a template.
Water: 1/2" FNPT
Drain: 3/4" FNPT
4. Lift dispenser onto wall bracket positioning unit so that hook on back of dispenser is captured by wall bracket support angle (Fig. 9.3).
5. Install two 1/4" X 20 screws through bottom of wall bracket into bottom of dispenser to secure dispenser to wall bracket (Fig. 9.4).
6. Install supplied 1/2" MPT X 3/8" push-in adapter onto 1/2" FNPT water supply.

Fig. 10
Dispenser bottom view



7. Connect supplied 3/8" water line between water supply and water inlet fitting (Fig. 10.1).
8. Using supplied 3/4" drain tubing and barbed fittings, connect 3/4" barbed drain elbow fitting on dispenser to 3/4" FNPT drain (Fig. 10.2).
9. Route power cord through utility access hole to power supply (Fig. 10.3).
10. Turn on water supply and check for leaks.



Fig. 11




11. Install bottom panel (Fig. 11).

Icemaker cleaning & sanitizing

Periodic cleaning of Follett's icemaker system is required to ensure peak performance and delivery of clean, sanitary ice. The following cleaning procedures should be performed at least as frequently as recommended, and more often if environmental conditions dictate.

 WARNING	
	<ul style="list-style-type: none">• To reduce risk of electrical shock disconnect power before servicing• Wear rubber gloves and safety goggles (and/or face shield) when handling ice machine cleaner or sanitizer mixtures

 CAUTION	
<ul style="list-style-type: none">• Use only Follett approved cleaners (see procedure below)• It is a violation of Federal law to use these solutions in a manner inconsistent with their labeling• Read and understand all packaging instructions before use• Do not use solvents, abrasive cleaners, metal scrapers or sharp objects to clean any part of the dispenser	

Quarterly air filter cleaning

1. Remove screw at top of louvered panel on left side of unit.
2. Slide panel toward back of dispenser and lift.
3. Remove the air filter located under the louver.
4. Clean with soap and water.
5. Rinse, and replace when completely dry.

Semi-annual icemaker cleaning & sanitizing

Note: If icemaker and dispenser are cleaned and sanitized at the same time, icemaker should be cleaned and sanitized first.

Cleaning solution

Solution A: Ice machine cleaner: Prepare one gallon (3.8L) of Follett SafeCLEAN™ Ice Machine cleaner (one 7 oz packet) or equivalent. Solution temperature must be at least 120 F (49 C).

Warning: Most ice machine cleaners contain citric or phosphoric acid that can cause skin irritation. Read caution label on product and follow instructions carefully.

Sanitizing solution

Solution B: Prepare a sanitizing solution of 50 ppm of available chlorine content. Solution temperature must be 75 F – 125 F (24 C – 52 C).

Note: Before cleaning SensorSAFE units, deactivate dispenser by depressing and releasing clean switch located on left side of unit under top front cover. When cleaning is complete, reactivate by depressing and releasing clean switch a second time. Dispenser will automatically reactivate after two minutes.

1. Remove the upper front cover.
2. Remove splash panel and lower drain pan protector.
3. Turn compressor switch on electrical box of icemaker to OFF position.
4. Remove water reservoir cover and close water supply valve.
5. Drain water from reservoir by releasing evaporator drain line from float reservoir bracket and removing plug from drain line.
6. Following manufacturer's instructions, prepare one gallon (3.8L) cleaning solution A or equivalent. Solution temperature must be at least 120 F (49 C).

WARNING: Most ice machine cleaners contain citric or phosphoric acid that can cause skin irritation. Read caution label on product and follow instructions carefully.

7. Plug drain hose, replace drain line in reservoir bracket and pour part of cleaning solution into reservoir, filling it almost to overflowing.
8. Remove stainless steel compression nozzle and drain lines and submerge in a cup of cleaning solution while cleaning rest of system.
CAUTION: To avoid potential pitting, do not soak parts in SafeCLEAN for more than 45 minutes.
9. Restore power to icemaker (gearmotor will run; compressor and fan will not).
10. After 15 minutes, turn power OFF; drain solution from reservoir and evaporator.
11. Fill reservoir almost to overflowing with clean, 120 F (49 C) water, and drain. Repeat three times.
12. Following manufacturer's instructions, prepare 1 gallon (3.8L) sanitizing solution B. Solution temperature must be at least 120 F (49 C).
13. Rinse compression nozzle in clean water and submerge in a cup of sanitizing solution while following steps 14-19.
14. Connect ice transport tube directly onto evaporator outlet port without compression nozzle.
Note: If bin will not be cleaned at this time, place a large pan in bin storage area to catch ice or connect a separate ice transport tube to evaporator and divert ice into separate container.
15. Fill reservoir almost to overflowing with sanitizing solution.
16. Restore power to icemaker (gearmotor will run; compressor and fan will not).
17. After 10 minutes, turn compressor switch to ON position.
18. As unit starts to make ice, continue to pour sanitizing solution into reservoir, maintaining level just below reservoir overflow.
19. Continue to make ice with sanitizing solution for 20 minutes.



20. Turn power to icemaker OFF.
21. Disconnect transport tube from evaporator outlet port. Rinse compression nozzle in clean water and reinstall on evaporator outlet. Reconnect transport tube to compression nozzle.
22. Drain any remaining sanitizing solution from evaporator.
23. Fill reservoir almost to overflowing with clean, 120 F (49 C) water, and drain. Repeat three times.
24. Open water supply valve and replace reservoir cover. Restore power to icemaker and ensure compressor switch is in ON position. Make ice for at least 15 minutes to flush any remaining solution from system. Discard this and all ice made during sanitizing.
25. Inspect evaporator drain pan and drain line and remove any accumulated scale build up.
26. Replace any panels removed prior to cleaning.


Start-up following cleaning

1. Clean and sanitize ice storage area of dispenser in accordance with instructions before making ice.
2. Turn icemaker on and begin to make ice. Icemaker should start immediately with power and bin signal supplied.
3. After approximately 30 minutes, test dispenser for proper dispensing.

Dispenser cleaning & sanitizing

Periodic cleaning of Follett's ice and water dispenser system is required to ensure peak performance and delivery of clean, sanitary ice. The following cleaning procedures should be performed at least as frequently as recommended, and more often if environmental conditions dictate.

 WARNING	
	<ul style="list-style-type: none">• To reduce risk of electrical shock disconnect power before servicing• Wear rubber gloves and safety goggles (and/or face shield) when handling ice machine cleaner or sanitizer mixtures

 CAUTION	
	<ul style="list-style-type: none">• Use only Follett approved cleaners (see procedure below).• It is a violation of Federal law to use these solutions in a manner inconsistent with their labeling• Read and understand all packaging instructions before use• Do not use solvents, abrasive cleaners, metal scrapers or sharp objects to clean any part of the dispenser

Cleaning solution

Solution A: Prepare cleaning solution of 200 ppm of available chlorine content. Solution temperature must be 75 F – 125 F (24 C – 52 C).

Sanitizing solution

Solution B: Prepare a sanitizing solution of 50 ppm of available chlorine content. Solution temperature must be 75 F – 125 F (24 C – 52 C).

Note: Before cleaning SensorSAFE units, deactivate dispenser by depressing and releasing clean switch located on left side of unit under top front cover. When cleaning is complete, reactivate by depressing and releasing clean switch a second time. Dispenser will automatically reactivate after two minutes.

Daily cleaning

1. Remove all debris from drain pan.
2. Slowly pour 1 gallon (3.8L) hot water into drain pan to keep drain lines clear.

Weekly cleaning

1. Wash drain pan and grille with cleaning solution A. Rinse thoroughly with clean water.
2. Slowly pour solution of one cup (8oz/237ml) household bleach mixed with one gallon (3.8L) hot water into drain pan to help prevent algae growth in drain lines.

Cleaning SensorSAFE lens

1. Deactivate dispenser by depressing and releasing clean switch located on left side of unit under top front cover.
2. Clean lens using soft cloth and mild, **non-abrasive** cleaner.
3. Reactivate by dispenser depressing and releasing clean switch a second time. Dispenser will automatically reactivate after two minutes.

Semi-annual cleaning and sanitizing of dispenser hopper

Note: If icemaker and dispenser are cleaned and sanitized at the same time, icemaker should be cleaned and sanitized first.

1. Remove ice from dispenser. Disconnect power.
2. Working inside storage area, remove center thumbscrew from dispense wheel, tilt wheel up toward back to clear baffle and disengage wheel from motor shaft.
3. Remove front cover, chute cover and clear plastic chute.
4. Wipe lid, wheel, baffle and clear plastic chute with a clean damp cloth wrung out in cleaning solution A.
5. Rinse all above items with damp cloth wrung out in clean water.
6. Wipe all bin surfaces (including the area under dispense wheel) with a damp cloth wrung out in cleaning solution A.
7. Rinse all bin surfaces thoroughly with damp cloth wrung out in clean water.
Caution: Do not rinse by pouring water into the storage bin. Damage to the dispense motor can result.
8. Sanitize lid, wheel, baffle, clear plastic chute and all bin surfaces by wiping with a damp cloth wrung out in sanitizing solution B. **DO NOT RINSE.**
9. Reinstall dispense wheel and other components.

Service

Icemaker operation

Follett's icemaker consists of four distinct functional systems:

- Refrigeration system
- Water system
- Harvesting system
- Electrical control system

These four systems work together to accomplish the production and harvesting of ice. A problem in any one of these systems will result in improper operation of the entire ice production cycle. When troubleshooting the icemaker, it is important to analyze the entire system operation to determine which system is not functioning properly, then pinpoint the component within that system that is malfunctioning. Determine what corrective action must be taken before making any adjustments or replacing any components.

The icemaking process

The Follett icemaker uses a stainless steel jacketed evaporator and operates on a continuous freezing cycle. Water is supplied to the evaporator from the water reservoir where the water level is controlled by a float valve. This valve also shuts off the water supply when the icemaker is not running.

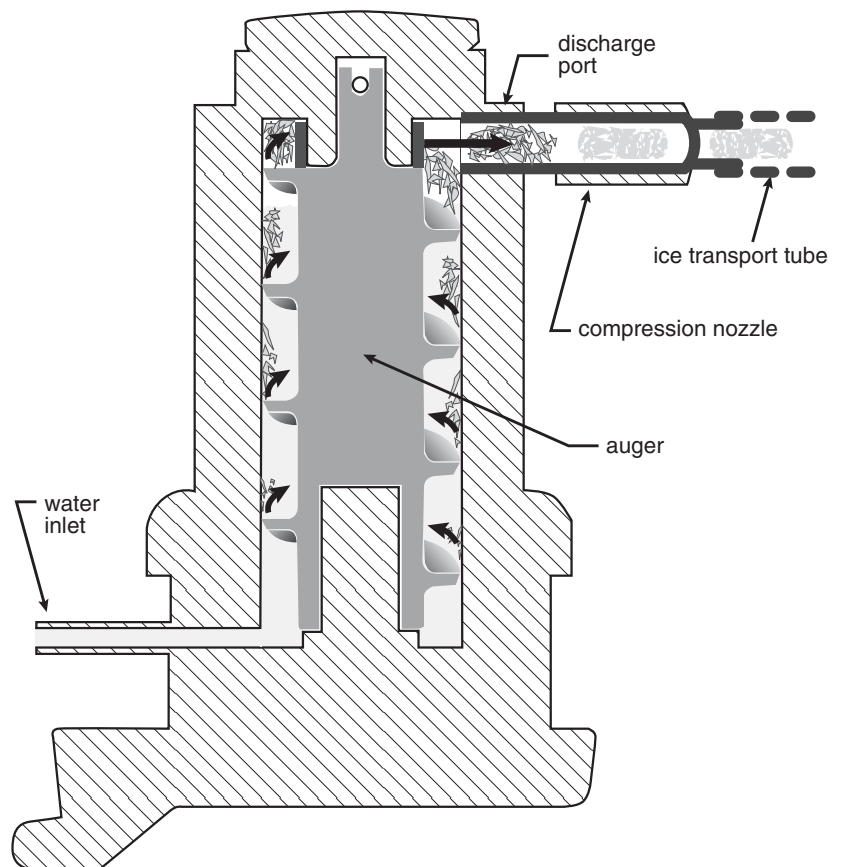
When the icemaker is running, a layer of ice forms on the interior surface of the evaporator. This ice is continuously removed by a slowly rotating (12 RPM) auger.

The auger carries the ice upward into the cavity formed by the top bearing housing and the compression loop, where it is compressed to remove excess water.

When the ice reaches the desired hardness it rotates within the cavity and is forced through a discharge port and compression nozzle and into the ice transport tube. The discharge tube and compression nozzle are slightly restricted to further compress the ice and produce the desired hardness. As the formation of ice continues, ice in the transport tube is pushed through the tube to the storage compartment in the ice dispenser.

A solid state control board, located in the electrical box of the icemaker, controls the normal operation of the icemaker and monitors gearmotor torque. This control board will shut down the icemaker should an over-torque condition occur. It is very important that you familiarize yourself with the operational sequences detailed in this manual before attempting to service the icemaker.

Ice harvest system diagram

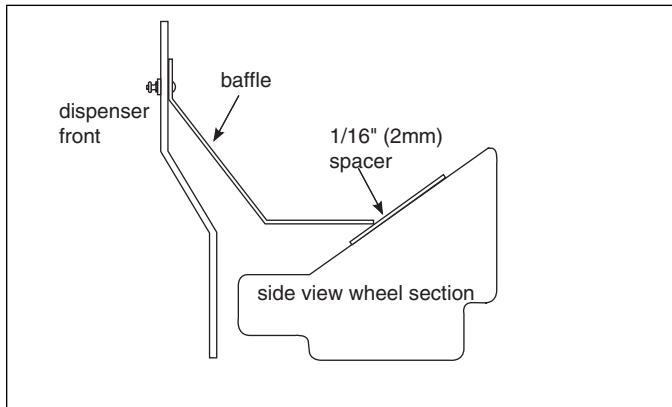


Disassembly and replacement instructions

Dispense wheel removal and installation

1. Remove all ice from storage area of dispenser.
2. Remove center thumb nut from dispense wheel.
3. Remove thumb nuts holding baffle inside bin and remove baffle.
4. Tilt rear of wheel up and lift off motor drive shaft.
5. After reinstalling wheel, secure baffle loosely with thumb nuts, but do not tighten.

Fig. 12



6. Place a 1/16" (2mm) spacer against wheel and allow baffle to drop until it touches spacer (Fig. 12).
7. Tighten thumb nuts and remove spacer.

Drive bar removal

1. Remove dispense wheel from dispenser (see above).
2. Pull drive bar out of its channel in bottom of wheel.

Wheel motor assembly removal

1. Disconnect power.
2. Remove top cover and dispense wheel.
3. Slide icemaker out of dispenser as described on page 16, icemaker removal. Icemaker does not need to be removed completely if there is sufficient clearance to access the dispenser motor through the right louvered panel.
4. Disconnect wires on motor.
5. Remove four bolts (7/16" socket) holding motor assembly to bottom of dispenser.
6. Remove motor assembly.

Ice transport tube replacement

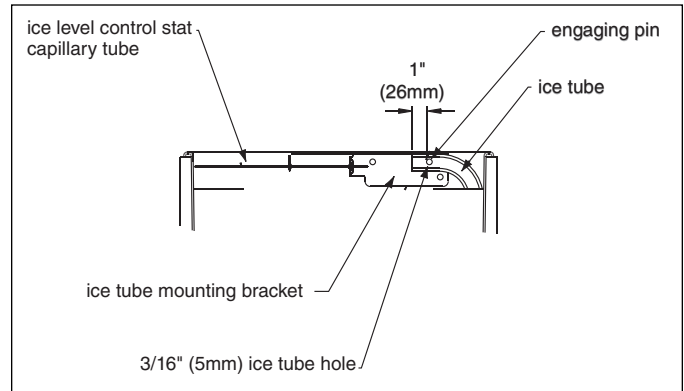
CAUTION

- Tubing must be supplied by Follett Corporation

1. Disconnect power. Remove top and partially slide icemaker out of dispenser as described on page 16.
2. Disconnect end of tube from icemaker.

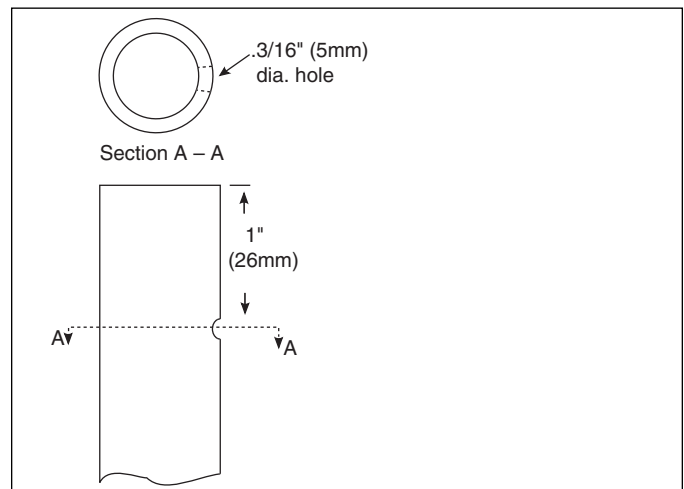
3. Disconnect existing ice tube from engaging pin on transport tube bracket in ice storage bin and pull tube up through dispenser chase.

Fig. 13



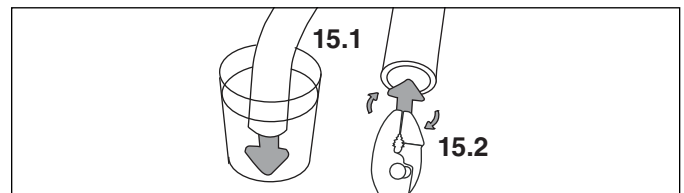
4. Run the new ice transport tube down through chase making sure that the end with the 3/16" (5mm) hole is in the bin (Fig. 13).

Fig. 14



5. Push the 3/16" (5mm) hole near end of tube into pin on ice tube bracket (Fig. 14).
6. Reinstall insulation

Fig. 15



7. Heat end of transport tube in cup of 160 F (71 C) hot water to soften (Fig. 15.1) and spread with pliers before making connection (Fig. 15.2).
8. Slip supplied hose clamp onto tube and push tube onto compression nozzle on exit port of evaporator. Do not twist tubing when securing to evaporator.
9. Secure tube on port with hose clamp, being sure that clamp is positioned on evaporator side of nozzle flange.

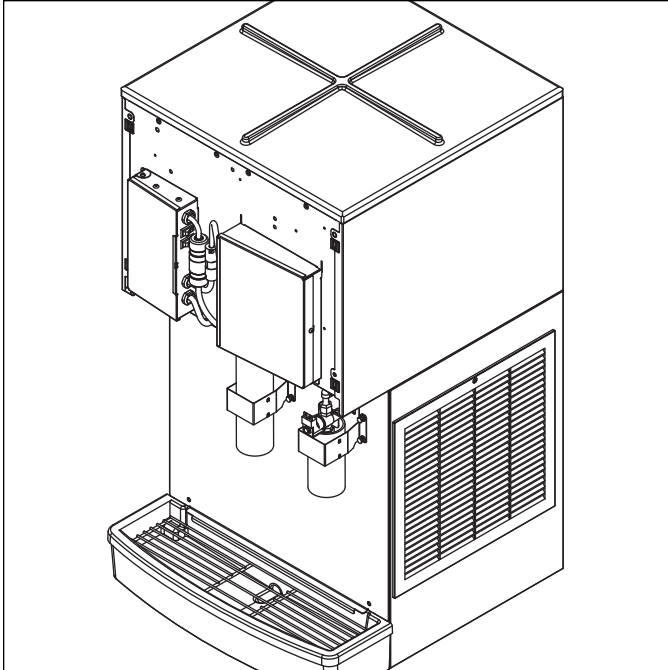
Icemaker removal



WARNING

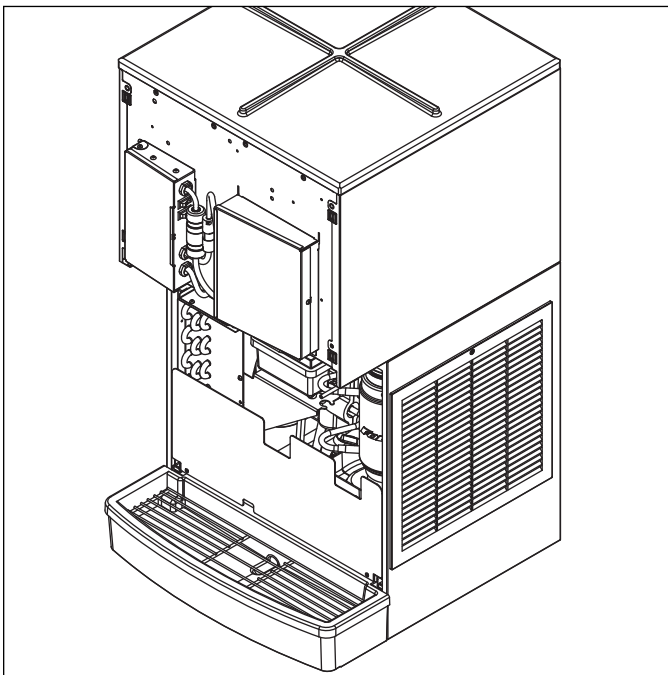
To reduce risk of shock disconnect power before servicing.

Fig. 16– All models



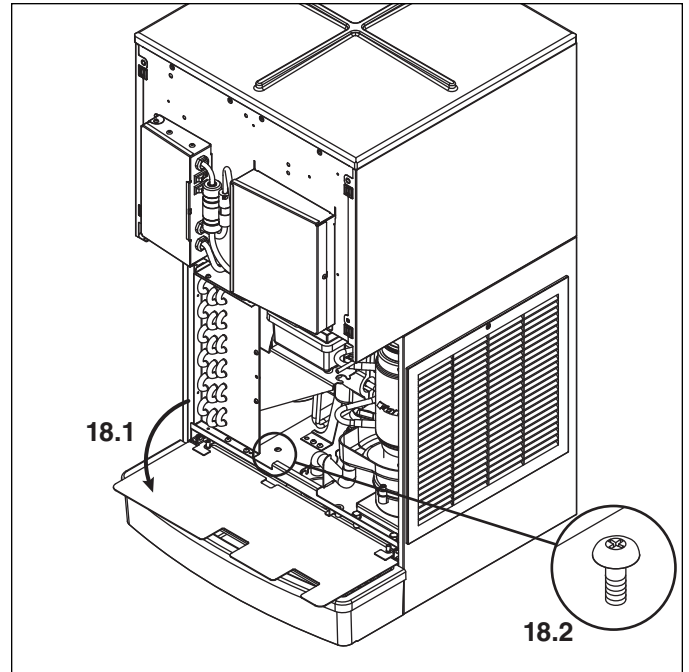
1. Remove front cover (Fig. 16).

Fig. 17 – All models



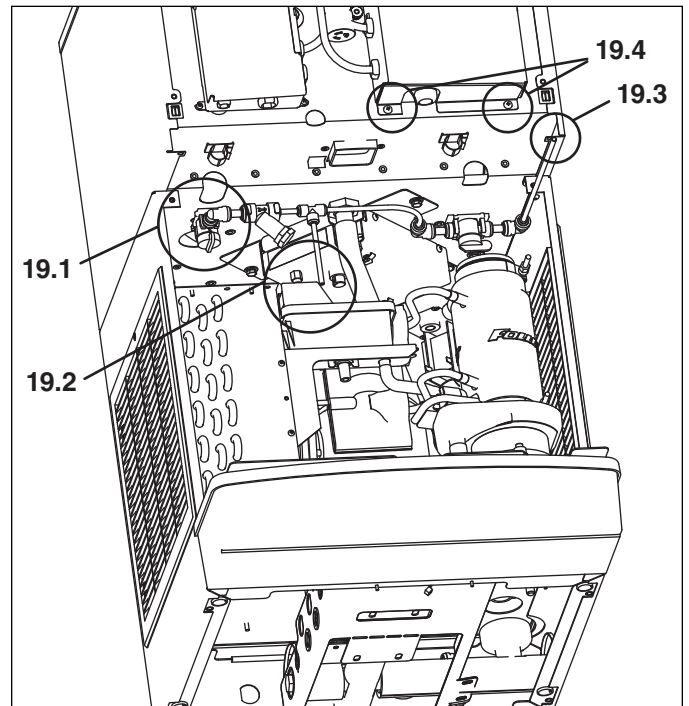
2. Remove splash panel (Fig. 17).

Fig. 18 – All models



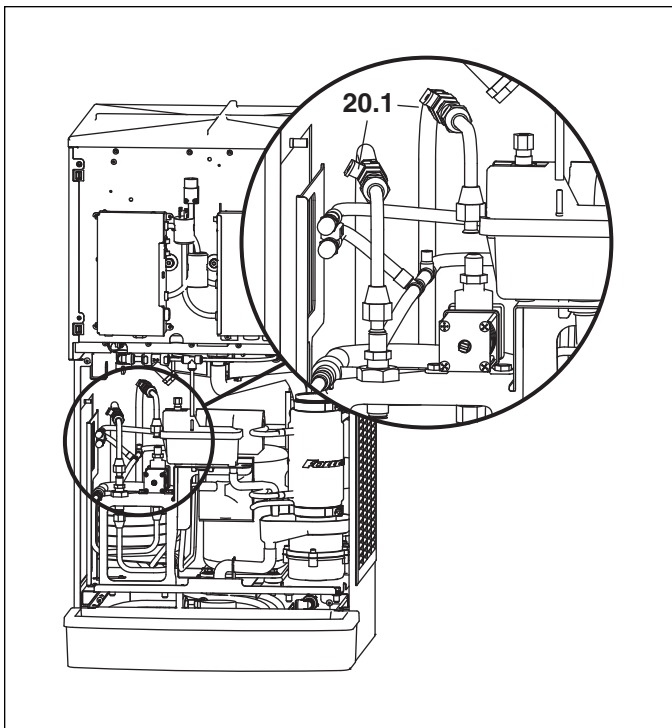
3. Lower drain pan protector (Fig. 18.1). Remove and discard shipping screw (Fig. 18.2).

Fig. 19 – All models



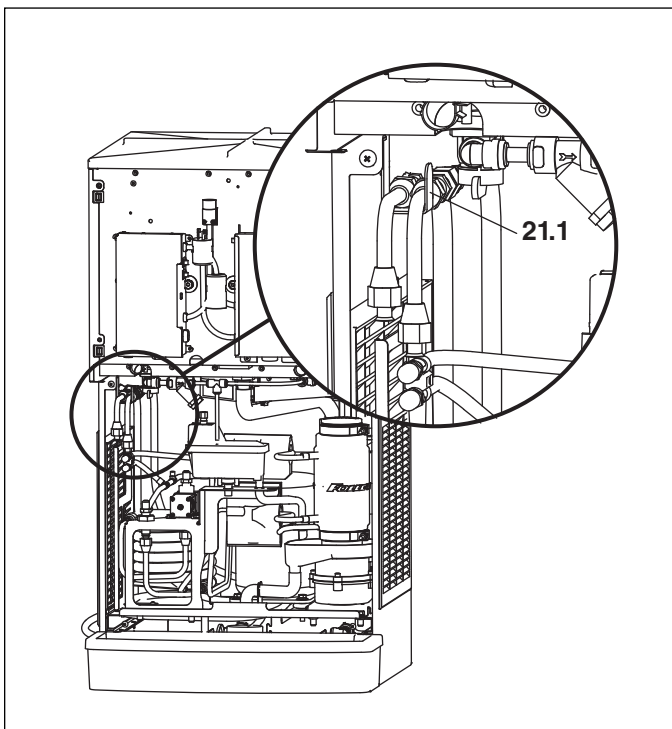
4. Close main water shut off valve (Fig. 19.1).
5. Disconnect water line to float valve (Fig. 19.2).
6. Disconnect water line to solenoid (Fig. 19.3).
7. Remove screws securing bottom of icemaker electrical box (Fig. 19.4).

Fig. 20 – Water-cooled only



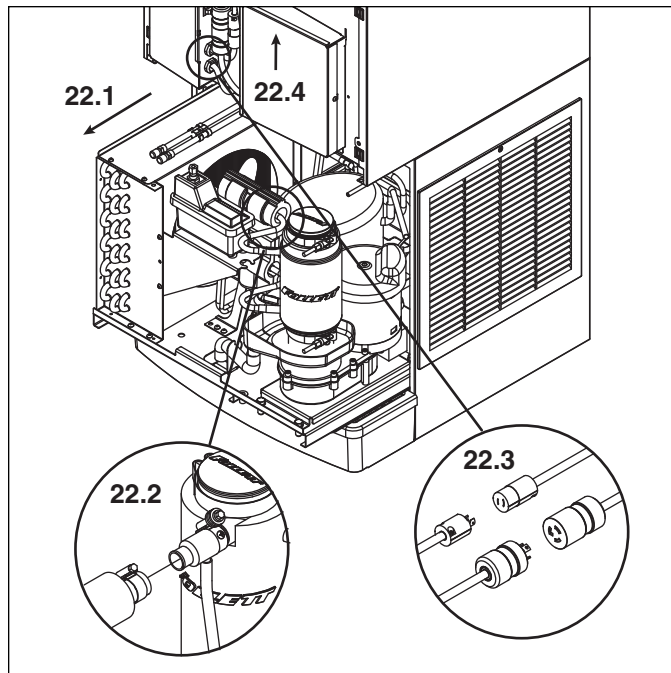
7. Shut off inlet and outlet valves to water-cooled condenser and disconnect fittings (Fig. 20.1).

Fig. 21 – Water-cooled only



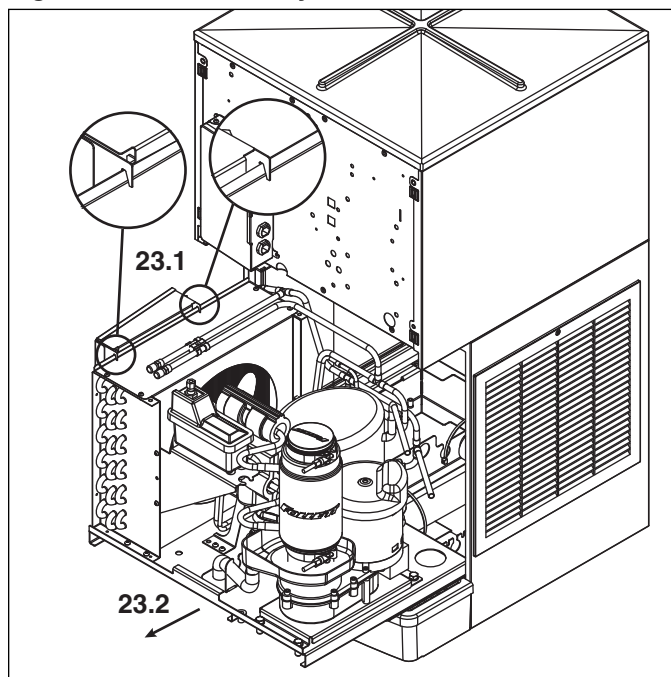
8. Lift and position water-cooled lines into hook (Fig. 21.1).

Fig. 22 – All models



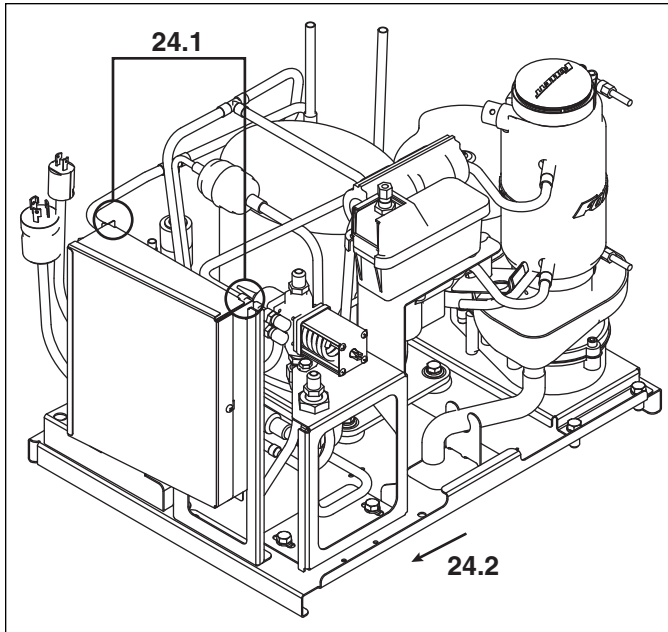
9. Partially slide icemaker from dispenser (Fig. 22.1).
10. Loosen clamp and disconnect ice transport tube from evaporator (Fig. 22.2).
11. Disconnect power and bin signal twist lock connectors (Fig. 22.3).
12. Slide icemaker electrical box up and off unit (Fig. 22.4).

Fig. 23 – Air-cooled only



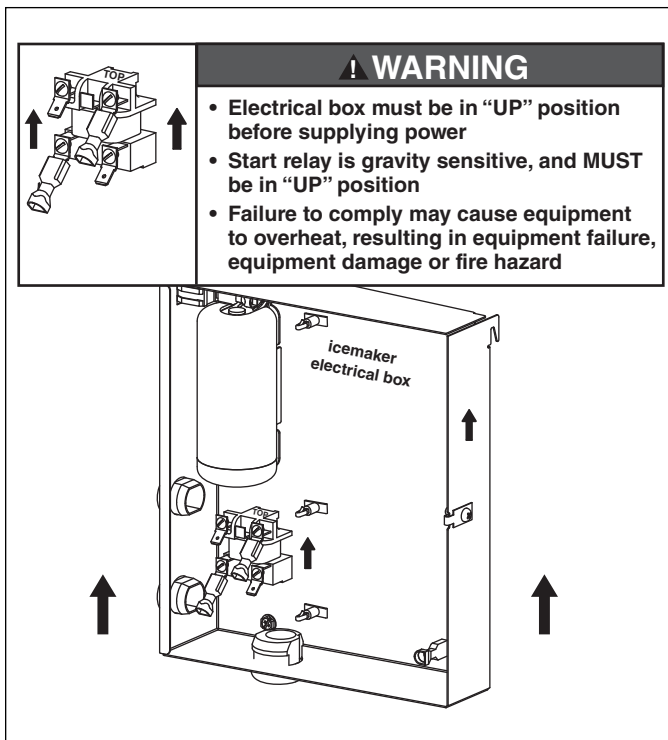
13. Use hooks on icemaker electrical box to hang box on front of condenser (Fig. 23.1).
14. Remove icemaker from dispenser (Fig. 23.2). Note warning (Fig. 25).

Fig. 24 – Water-cooled only



13. Use hooks on icemaker electrical box to hang box on bracket (Fig. 24.1).
14. Remove icemaker from dispenser (Fig. 24.2).

Fig. 25 – All models

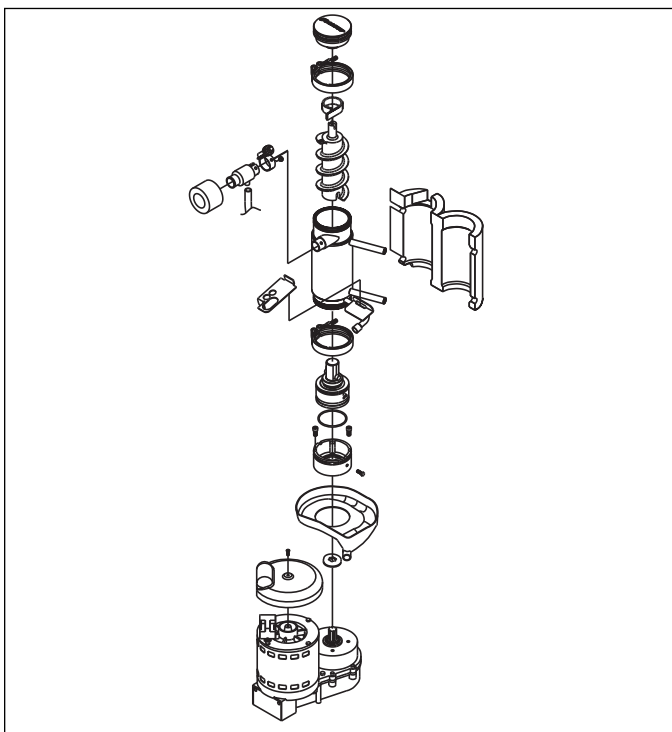


Evaporator disassembly

Note: The upper bearing, lower bearing and auger assemblies must be replaced as assemblies. The bottom and top bearing assemblies cannot be field assembled to factory specifications (Fig. 26)..

1. Disconnect power to icemaker.
2. Shut off water to icemaker.
3. Drain evaporator and float tank.
4. Disconnect plastic tubing from evaporator water inlet.
5. Disconnect compression nozzle tubing and reservoir overflow tubing from secured clip.
6. Remove nut and upper vee band coupling from top of evaporator
7. Lift top bearing assembly straight up with a slight rotating motion and remove.
8. Remove ice compression loop located at top of auger.
9. Lift auger straight up and out of evaporator.
10. Remove nut and lower vee band coupling from bottom of evaporator.
11. Lift evaporator to clear bottom bearing assembly.
12. Loosen hex head bolt in side of mounting base with 5/16" wrench and lift lower bearing assembly.
13. Remove condensate shield.
14. Remove four Allen head machine screws holding mounting base to gearbox.
15. If replacing evaporator, remove compression nozzle from evaporator port.

Fig. 26



Evaporator reassembly

1. Clean gearmotor boss, output shaft and shaft well.
2. Install drain pan and evaporator mounting base.
3. Fill gear motor shaft well with food grade grease (Fig. 27.1).
4. Install condensate shield and seat against gear motor boss.
5. Install bearing O ring in groove in evaporator mounting base.
6. Lower bottom bearing assembly into evaporator mounting base.
7. While maintaining a slight downward pressure on bottom bearing assembly, tighten hex head bolt with a 5/16" wrench.
8. Position evaporator over lower bearing assembly and align grooves with pins in bearing assembly.
9. Install vee band clamp and nut to 70 in/lb.
10. Place auger in center of evaporator and rotate to mate with drive pin.
11. Install ice compression loop, orienting loop as shown in Fig. 28.
12. Install upper bearing and seal assembly, rotating bearing to slip pin into auger slot.
13. Install upper vee band clamp and nut to 70 in/lb.
14. If evaporator was replaced, reinstall compression nozzle on new evaporator.

Fig. 27

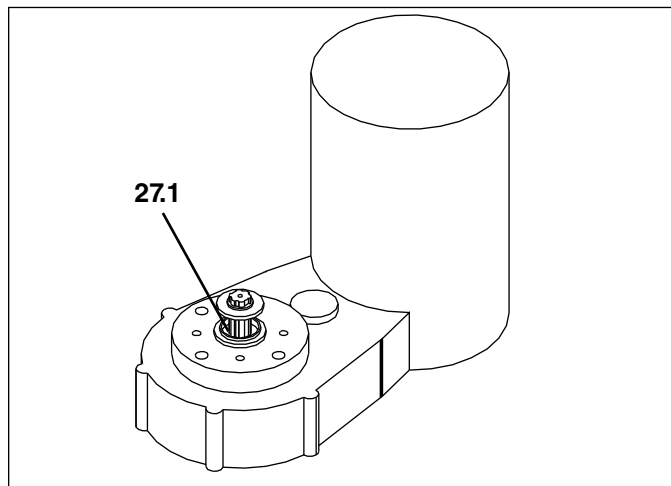
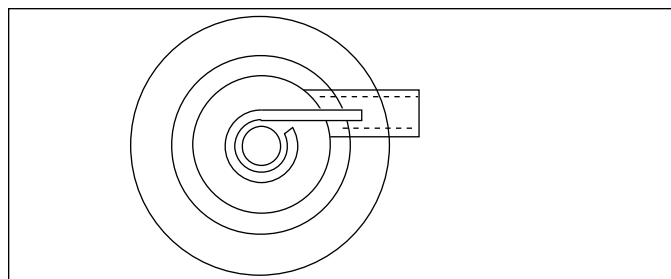


Fig. 28

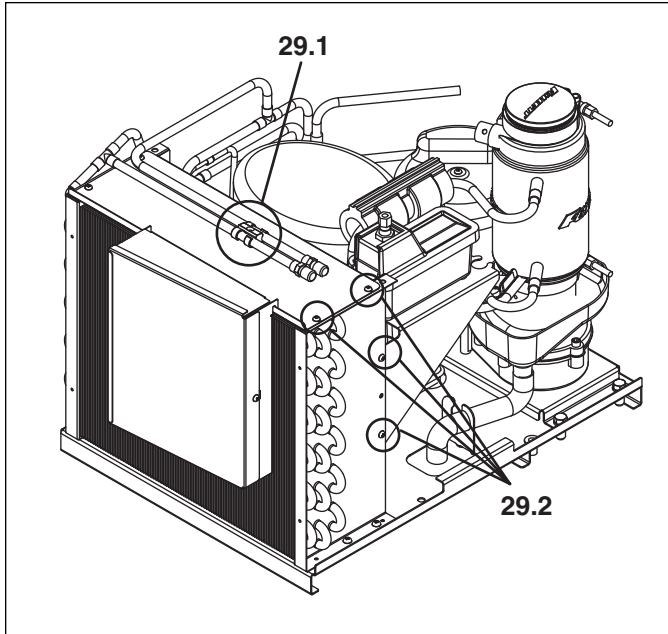


Gearmotor replacement

1. Disassemble evaporator as described above.
2. Disconnect the wire connectors.
3. Remove four screws holding gear motor mounting plate to base of icemaker and lift gearbox and motor clear of icemaker.
4. Remove machine screws holding mounting plate to motor.
5. Install new motor in reverse order.

Fan removal

Fig. 29



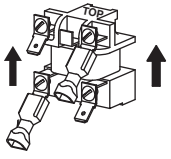
1. Remove screw securing refrigerant lines to condenser shroud (Fig. 29.1)
2. Remove seven screws securing shroud to condenser (Fig. 29.2).
3. Slide shroud forward against fin block to access fan and motor.

Electrical systems



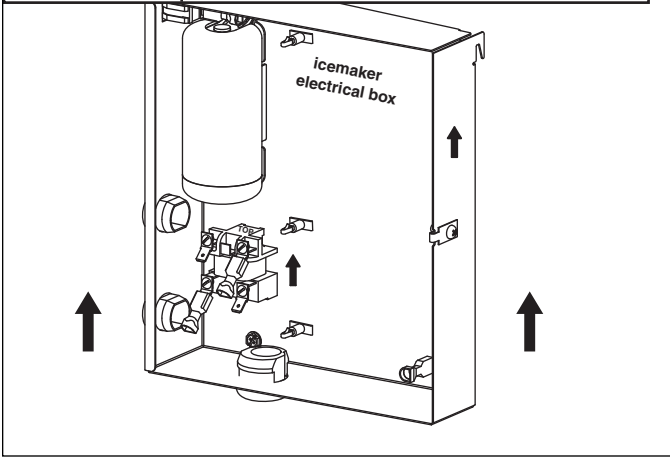
⚠ WARNING

To reduce risk of shock disconnect power before servicing.



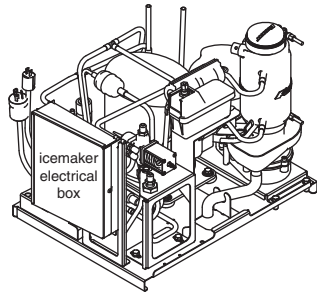
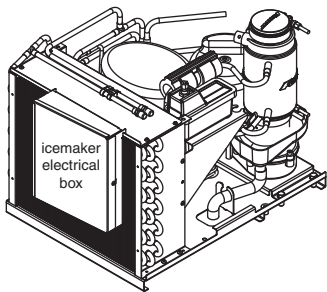
⚠ WARNING

- Electrical box must be in "UP" position before supplying power
- Start relay is gravity sensitive, and MUST be in "UP" position
- Failure to comply may cause equipment to overheat, resulting in equipment failure, equipment damage or fire hazard



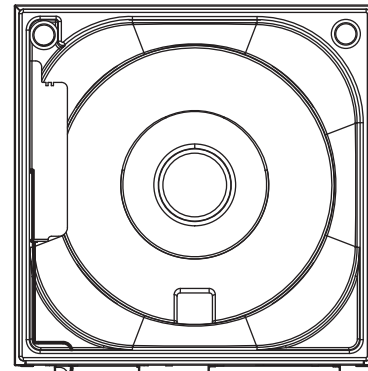
Air-cooled icemaker

Water-cooled icemaker



Electrical component locations

Top View



ice level control stat

well nut

ice tube mounting bracket

rubber grommet

knurled screw

bin thermostat capillary tube

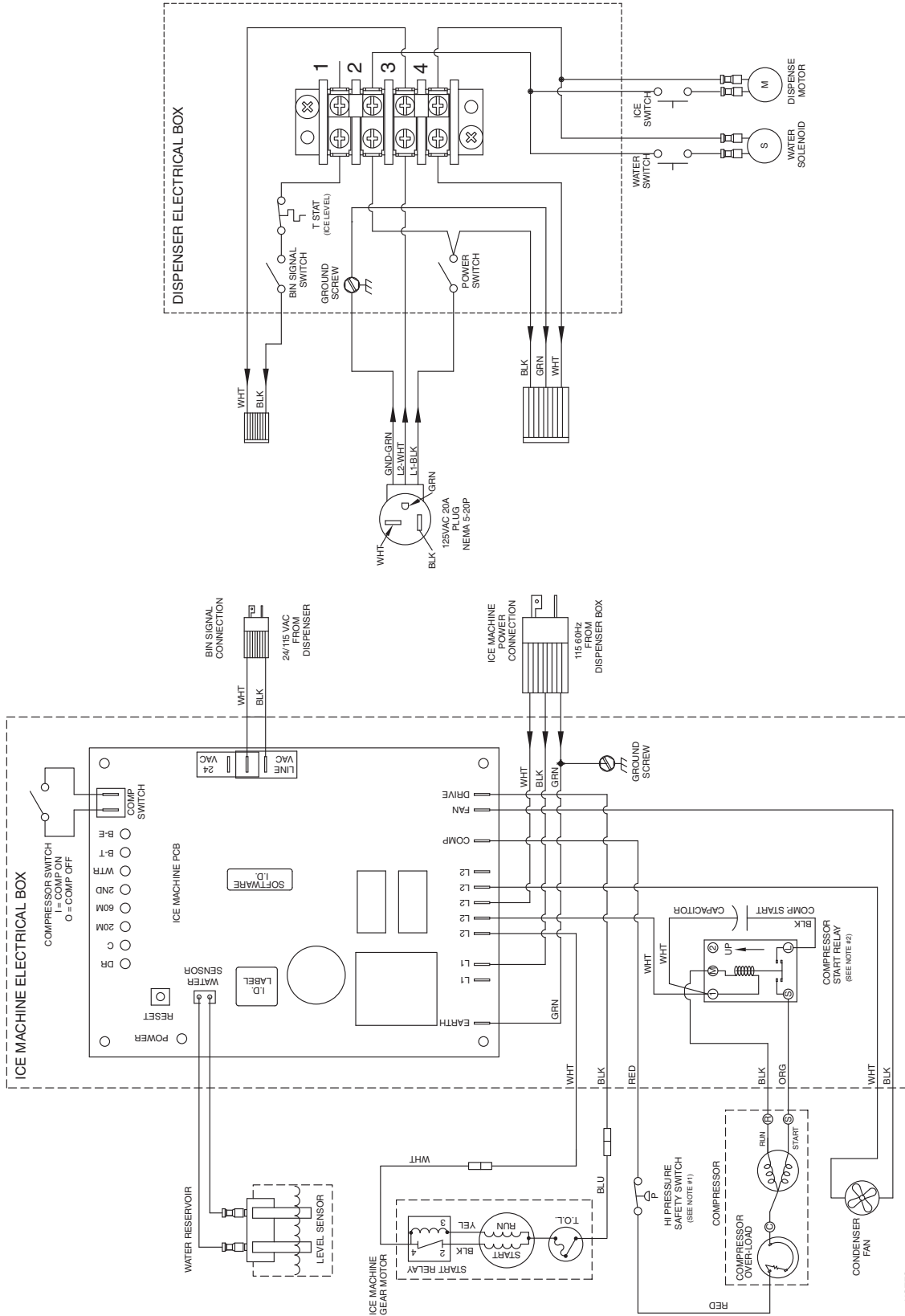
dispenser electrical box

icemaker electrical box

hopper assembly

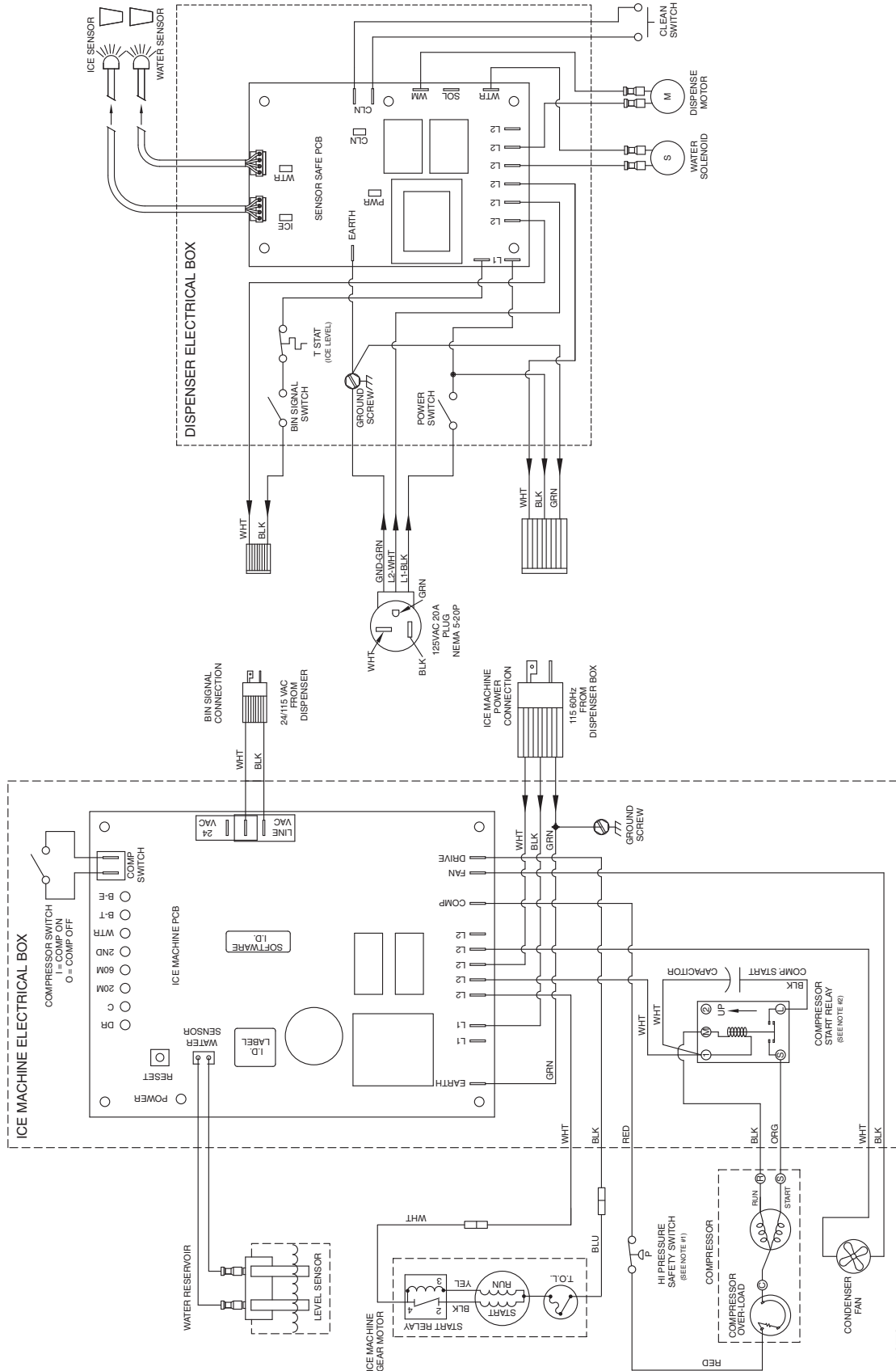
Wiring diagram - lever dispense model

Lever Dispensing Wiring Diagram



Wiring diagram - SensorSAFE model

SensorSAFE Dispensing Wiring Diagram



NOTES:
 1. HIGH PRESSURE SAFETY SWITCH OPENS @ 425psi (SNAP SWITCH)
 2. COMPRESSOR START RELAY IS GRAVITY SENSITIVE. SEE LABEL ON RELAY FOR PROPER ORIENTATION.

Icemaker operational and diagnostic sequences

The wiring diagrams that follow illustrate the circuitry of Follett icemakers. Both normal operation (stages 1 - 6) and non-normal diagnostic sequences showing torque-out (stages 7 - 10) for use in troubleshooting are shown.

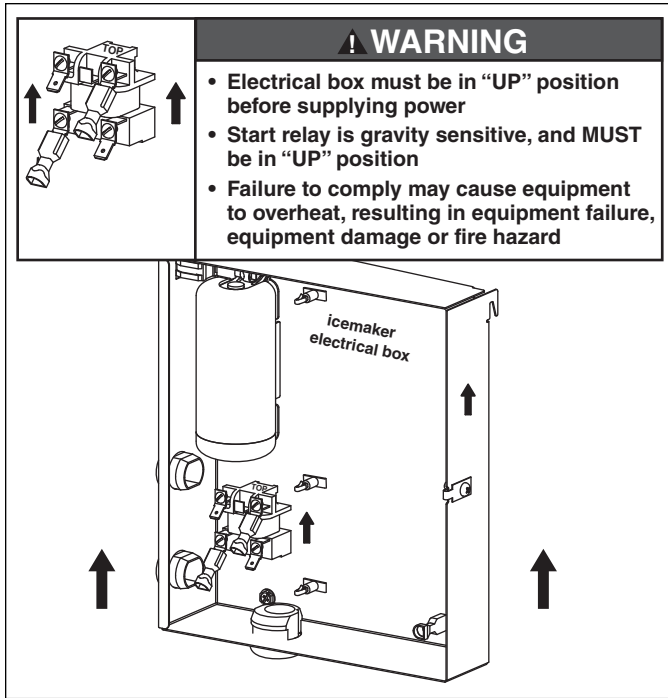
Circuitry notes

The icemaker receives power from two sources – the main power supply and the bin control signal power from the dispenser. Disconnect both power sources before performing service. When performing electrical service, always use a meter to determine whether or not the components being serviced are energized.

High pressure cutout opens at 425 PSO and closes at 287 PSI (auto reset)

Compressor switch should read open in ON position.

Compressor start relay is position sensitive.



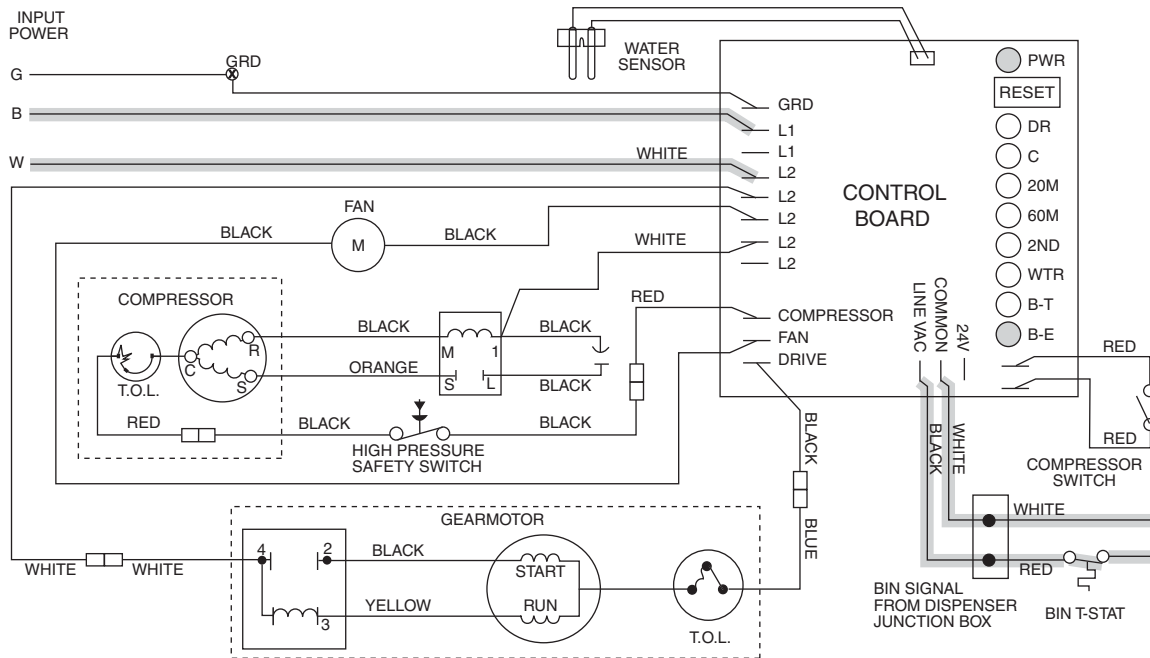
Bin signal is 115V, 60Hz.

Flashing water LED at any time indicates that water signal to board has been lost for more than one second.

Ten-second delay: There is a 10 second delay in reaction to loss of water (WTR) or bin (B-E) signals. If signals are not lost for more than 10 seconds, no reaction will occur.

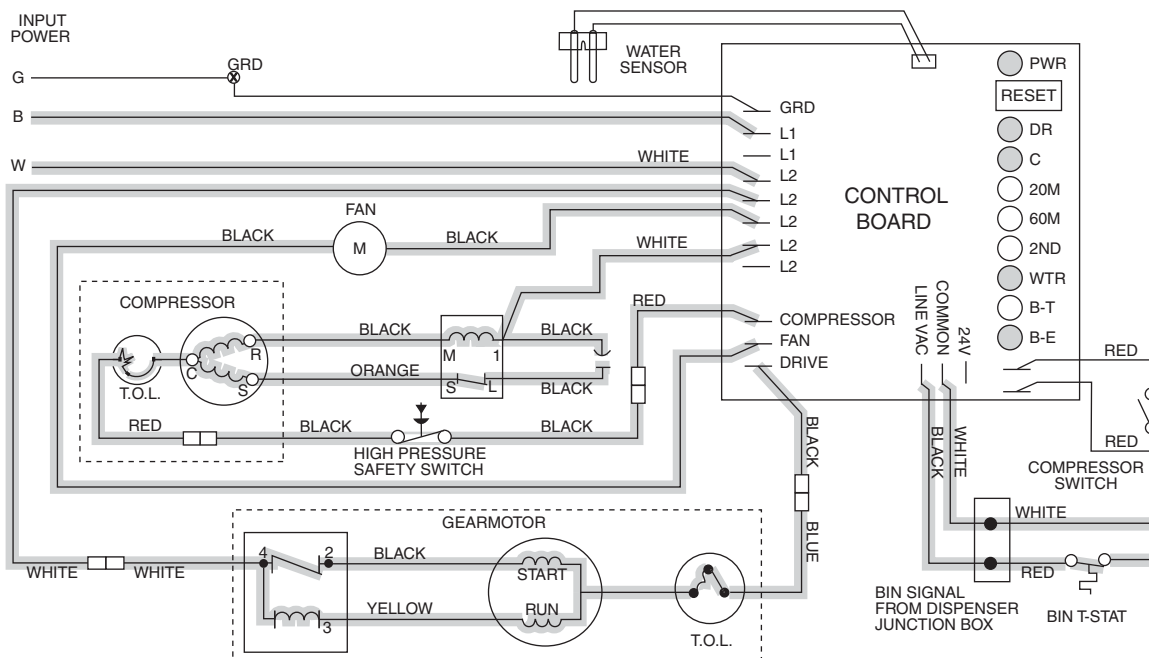
Normal operation – Stage 1

Power is supplied to L1 of the control board. The ice level control in the dispenser is closed and calling for ice, supplying signal voltage to the control board. The control board will now go through the start-up sequence. Less than 30 seconds will elapse as the water sensor located in the float reservoir checks for water in the reservoir. The bin empty LED (B-E) and power LED (PWR) will be on



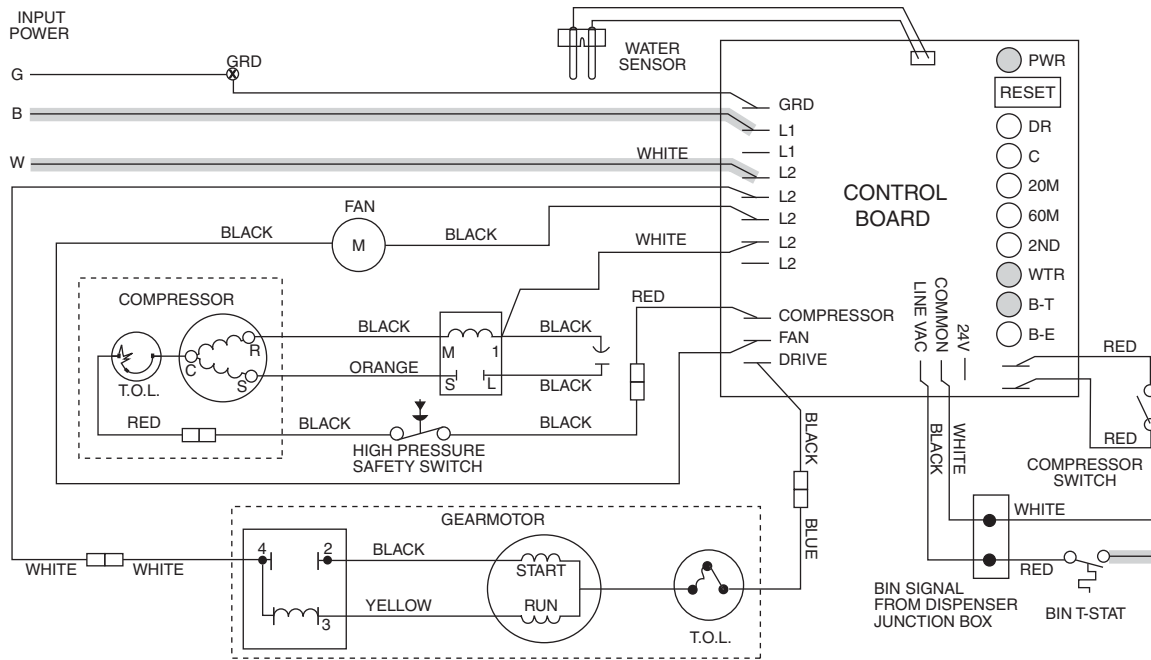
Normal operation – Stage 2

The water sensor verifies water in the float reservoir. The water OK LED (WTR) comes on. At the same time, the gearmotor, compressor and condenser fan motor come on, lighting the drive LED (DR) and compressor LED (C). The high initial current draw of the compressor run winding closes the contacts of the current relay energizing the start winding through the run capacitor. The gearmotor is also started through a current style relay that is pulled in by the initial high current draw of the run winding. The PWR, B-E and WTR LED remain on.



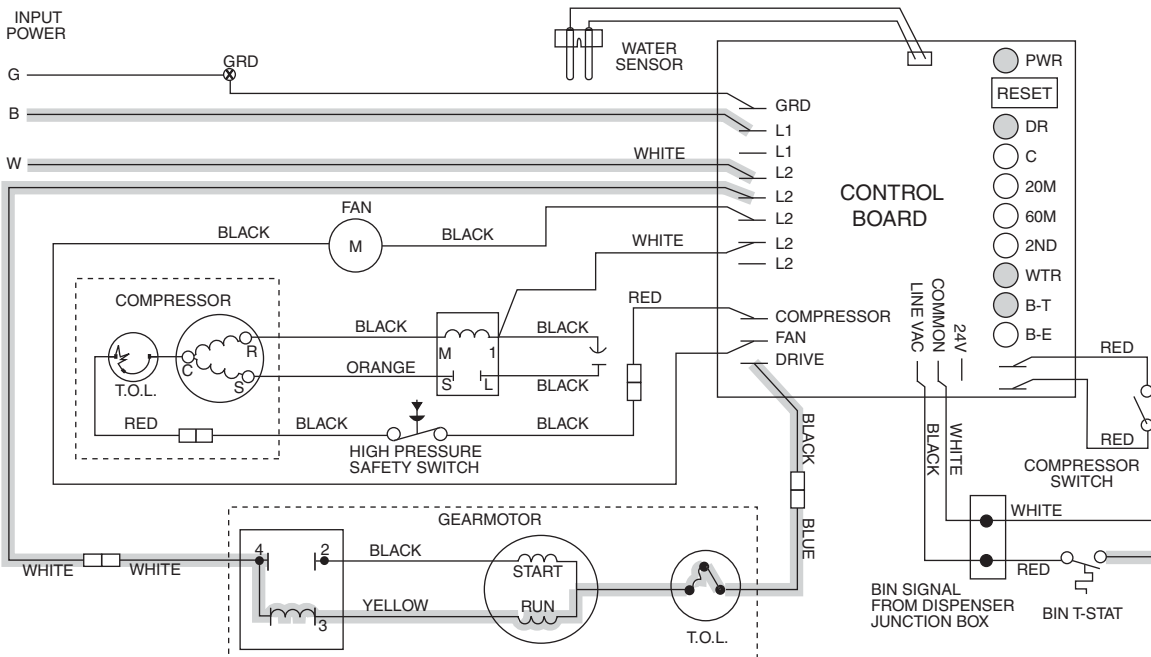
Normal operation – Stage 3

After the initial high current draw drops off, the gearmotor start relay contacts open, dropping out the start winding. As the compressor comes up to normal running speed, the compressor start relay contacts also open, dropping out the start winding of the compressor. The icemaker is now in a normal icemaking mode. The icemaker will begin to produce ice and continue to produce ice until the bin level control in the ice dispenser is satisfied. The PWR, B-E, DR, C and WTR LEDs are all on.



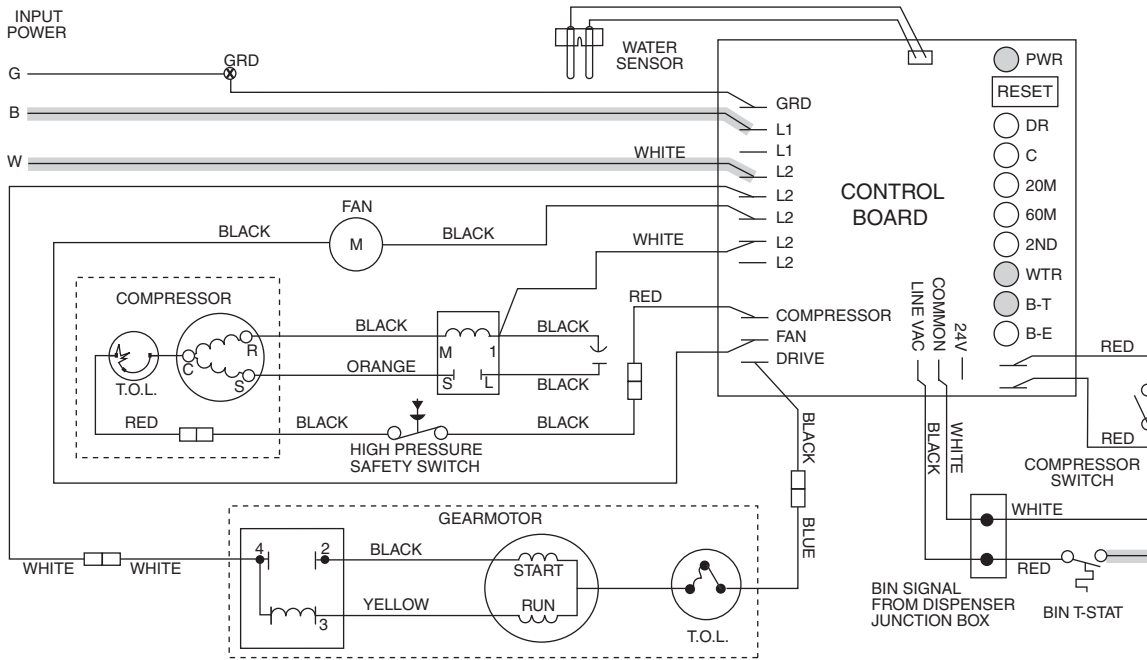
Normal operation – Stage 4

Once the ice level control opens, the B-E LED goes out. After a 10 second delay the compressor LED (C), compressor and fan motor go off. (Should the ice level control not remain open for 10 seconds, the icemaker will continue to run.) The gearmotor continues to run and the DR LED remains lighted for 60 seconds. The purpose of this function is to drive the remaining ice out of the evaporator and to boil off any refrigerant remaining in the evaporator. The bin timer LED (BT) comes on, starting the twenty minute off cycle time delay.



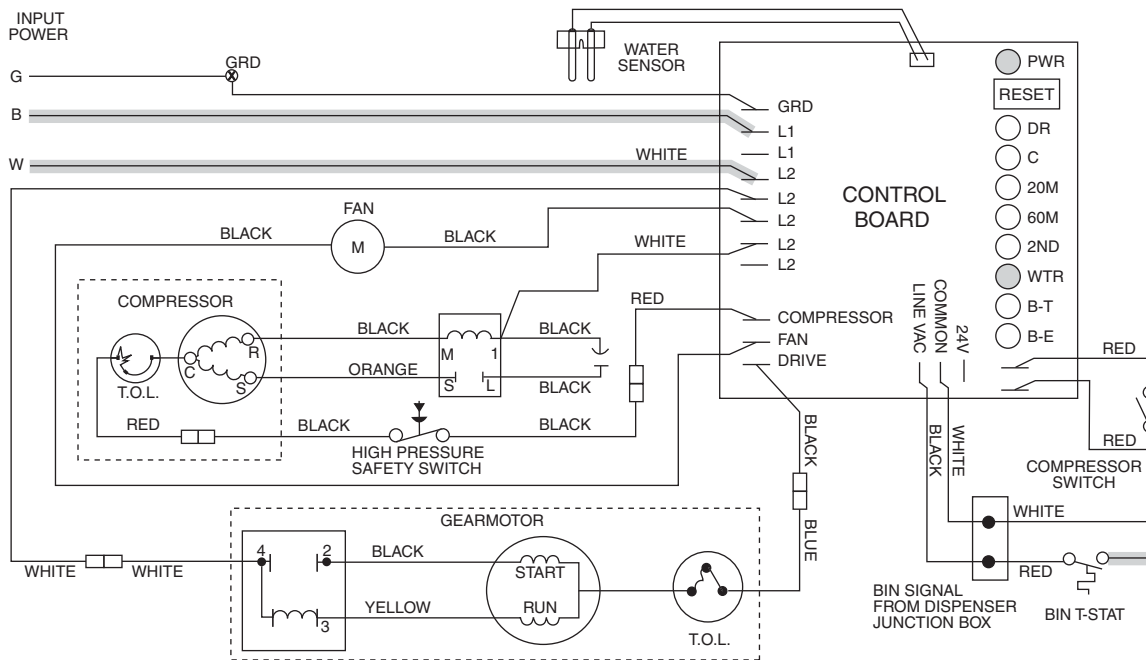
Normal operation – Stage 5

The drive motor now shuts down and the DR LED is off. The B-T LED remains on for 20 minutes. The icemaker will not start while the B-T LED is on. To restart the icemaker for troubleshooting purposes, depress the reset button to clear the control board.



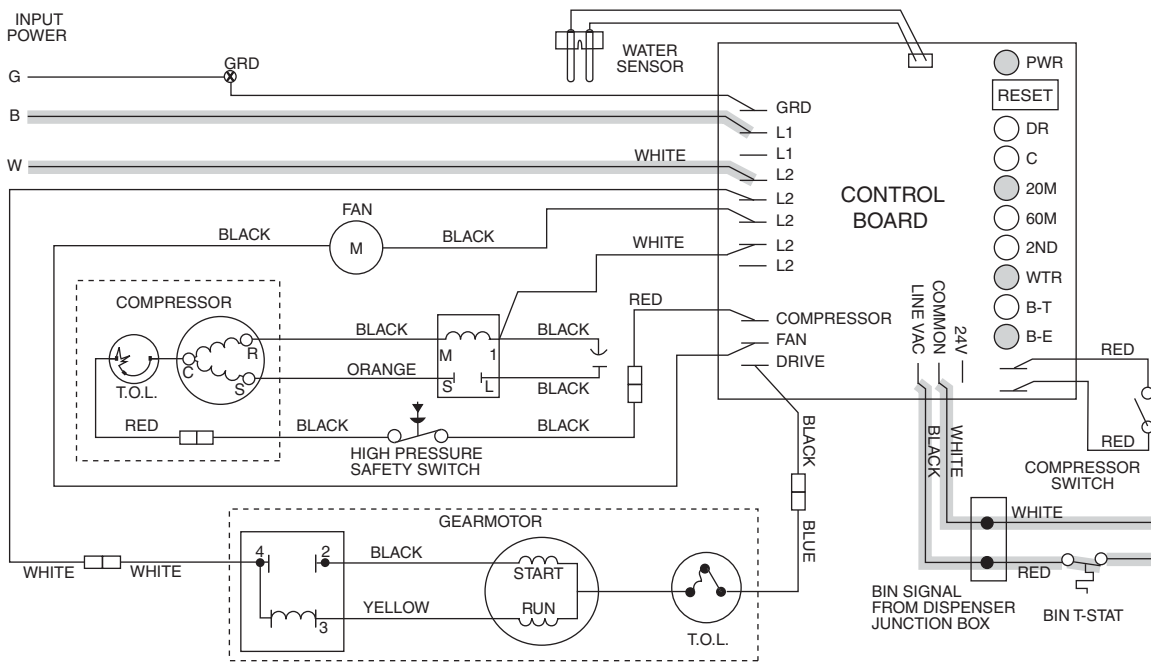
Normal operation – Stage 6

When the dwell time of 20 minutes has expired, the B-T LED goes off. The icemaker goes through the normal start-up sequence when the bin level control signals the control board for ice. The WTR LED will remain on as long as the water sensor in the float reservoir senses water.



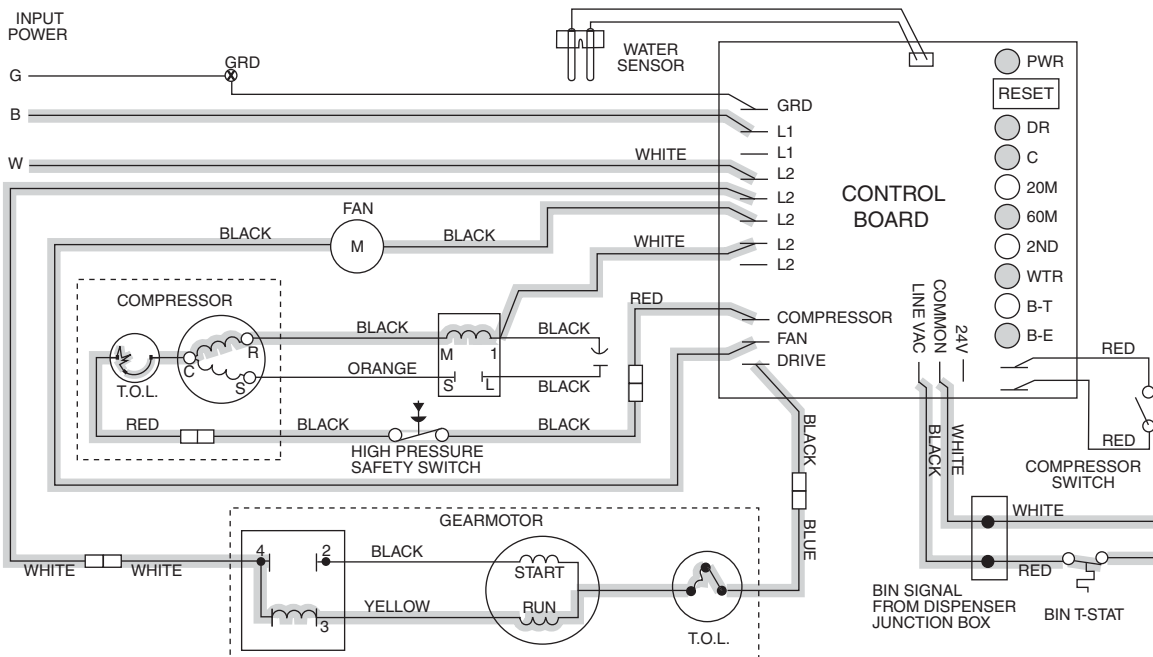
Diagnostic sequence – Stage 7

The 20 minute error LED (20M) is on, indicating that the control board has sensed an over-torque condition (above 3 AMPS on the gearmotor). The 20M LED remains on for 20 minutes after an over-torque condition has occurred. The icemaker remains off as long as the 20M LED is on. When the 20M LED goes off, the control board will try to go through a normal start-up sequence. The WTR LED remains on as long as the water sensor in the float reservoir senses water.



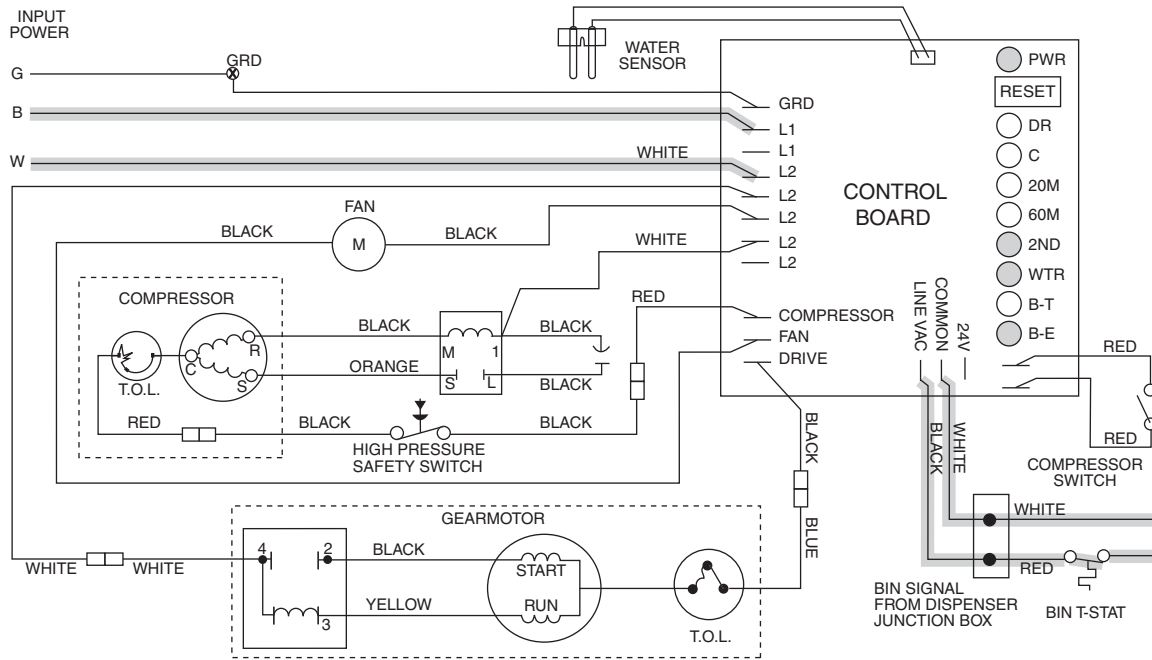
Diagnostic sequence – Stage 8

If the restart is successful the 20M LED goes off, the 60 minute timer LED (60M) comes on. The 60M LED remains on for 60 minutes from restart. A lighted 60M LED indicates that the icemaker has experienced an over-torque condition. If the icemaker runs without problems for 60 minutes and no additional torque errors occur, the 60M LED goes off and the icemaker continues normal operation.



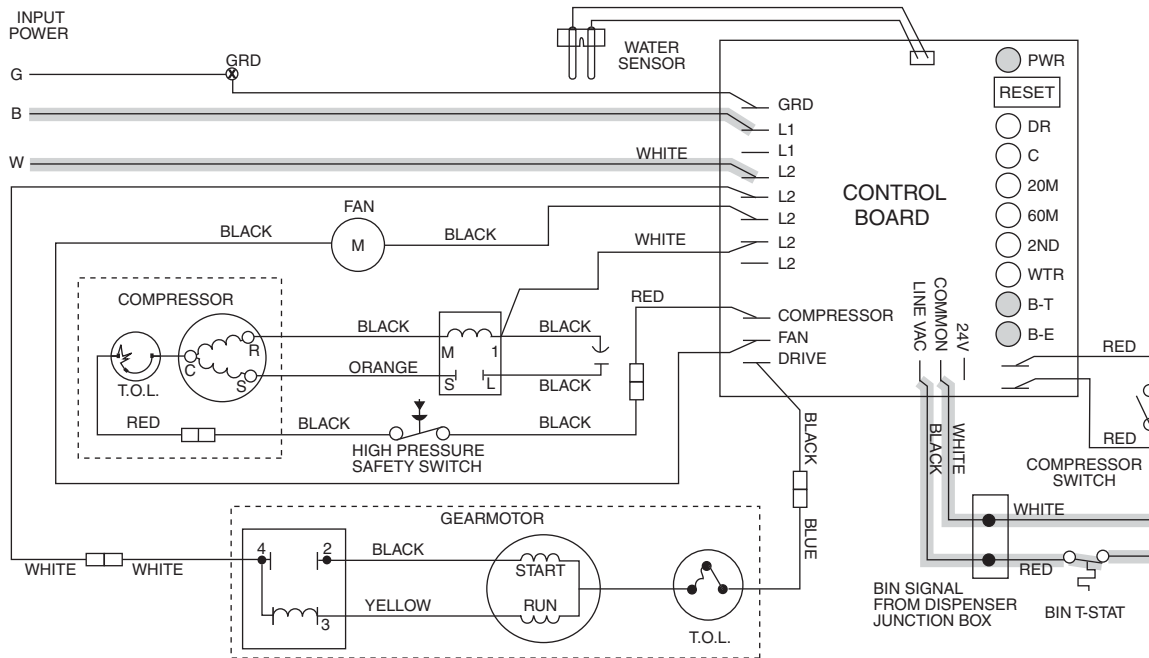
Diagnostic sequence – Stage 9

The second error (2ND) LED comes on if an over-torque condition occurs while the 60M LED is still lighted. The 2ND LED indicates that two consecutive over-torque situations have occurred. The icemaker will be shut down at this time and will not restart unless the manual reset button is depressed.

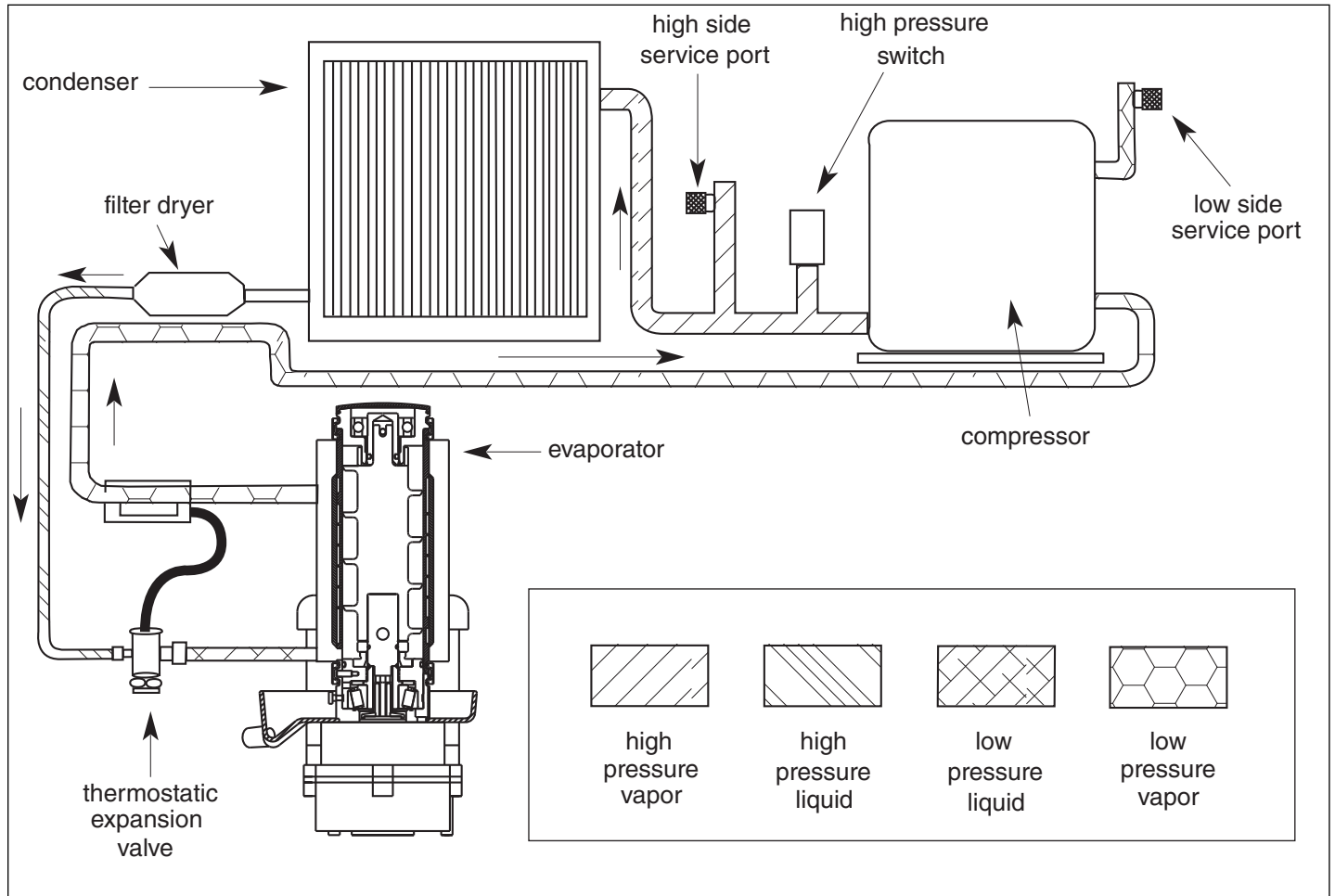


Diagnostic sequence – Stage 10

If the water level in the float reservoir drops to an unacceptable level, the WTR LED goes out, shutting the icemaker off. Also, the BT LED comes on, preventing the icemaker from restarting for twenty minutes. If water is restored, the WTR LED comes back on and flashes to alert the technician that water to icemaker has been lost. The icemaker restarts at the end of the 20 minute time delay. The flashing WTR LED can be cleared by pressing the reset button.



Refrigeration cycle



Refrigeration data

Ice production

Air-cooled icemaker capacity/24 hrs.

		Ambient Air Temperature F/C					
		F	60	70	80	90	100
Inlet Water Temperature °F/°C	C	16	21	27	32	38	
	50	425	395	360	330	295	lbs.
	10	193	180	164	150	134	kg.
	60	410	380	345	315	285	lbs.
	16	186	173	157	143	130	kg.
	70	395	365	330	300	270	lbs.
	21	180	166	150	137	123	kg.
	80	380	350	318	285	255	lbs.
	27	173	159	145	130	116	kg.
	90	365	335	305	273	243	lbs.
32	166	152	139	124	111	kg.	

Water-cooled icemaker capacity/24 hrs.

		Ambient Air Temperature F/C					
		F	60	70	80	90	100
Inlet Water Temperature °F/°C	C	16	21	27	32	38	
	50	430	425	418	390	350	lbs.
	10	195	193	190	177	159	kg.
	60	415	406	392	368	334	lbs.
	16	188	184	178	167	152	kg.
	70	401	386	365	345	318	lbs.
	21	182	175	166	156	144	kg.
	80	385	365	340	323	304	lbs.
	27	175	166	154	147	138	kg.
	90	368	343	315	300	290	lbs.
32	167	156	143	136	132	kg.	

Ice capacity test

Icemaker production capacity can only be determined by weighing ice produced in a specific time period.

1. Remove top panel and hopper lid of unit.
2. Weigh and record weight of container used to catch ice.
3. Run icemaker for at least 15 minutes.
4. Catch ice for 15 or 20 minutes.
5. Weigh harvested ice and record total weight.
6. Subtract weight of container from total weight.
7. Convert fractions of pounds to decimal equivalents (Ex. 6 lbs 8 oz = 6.5 lbs).
8. Calculate production using following formula:

$$\frac{1440 \text{ min.} \times \text{wt. of ice produced}}{\text{Total test time in minutes}} = \frac{\text{production capacity/}}{24 \text{ hr. period}}$$
9. Calculated amount per 24 hours should be checked against rated capacity for same ambient and water temperatures in Ice Production Table (above).

Compressor current draw

Air-Cooled Ambient Air Temperature					
Fahrenheit	60 F	70 F	80 F	90 F	100 F
Celsius	15.6 C	21.1 C	26.7 C	32.2 C	37.8 C
Locked Rotor Amps	58.8				

Gearmotor data

Gearmotor current	2.25A (nominal)
Locked Rotor Amps	14 amps

Refrigeration system

Important: All service on refrigeration system must be performed in accordance with all federal, state and local laws that pertain to the use of refrigerants. It is the responsibility of the technician to ensure that these requirements are met.



CAUTION

- Recharging of unit at other than factory specifications will void icemaker warranty

Icemaker charge specifications

Model	Charge	Refrigerant Type
25/50CI400A, 25/50HI400A	20 oz	R404A
25/50CI400W	9 oz	R404A

Refrigerant replacement requirements

1. Non-contaminated refrigerant removed from any Follett refrigeration system can be recycled and returned to the same system after completing repairs. Recycled refrigerant must be stored in a clean, approved storage container. If additional refrigerant is required, virgin or reclaimed refrigerant that meets ARI standard 700-88 must be used.
2. In the event of system contamination (for example, a compressor burn out, refrigerant leak, presence of non-condensibles or moisture), the system must be repaired, evacuated and recharged using virgin or reclaimed refrigerant that meets ARI standard 700-88.
3. Follett Corporation does not approve of recovered refrigerants. Improper refrigeration servicing procedures will void the factory warranty.

Evacuation

Evacuate the system to a level of 500 microns. When the 500 micron level is reached, close valves and shut down the vacuum pump. Allow the system to sit for approximately 20 minutes. During this period the system pressure should not rise. If the system pressure rises and stabilizes there is moisture in the system and further evacuation is needed. If the pressure continues to rise check the system for leaks.

Ambients



Air Temperature ¹	Minimum	Maximum
Fahrenheit	50 F	100 F
Celsius	10 C	38 C
Water Temperature ²	Minimum	Maximum
Fahrenheit	40 F	90 F
Celsius	4 C	32 C

- 1 - Ambient air temperature is measured at the air-cooled condenser coil inlet.
 2 - Ambient water temperature is measured in the icemaker float reservoir.

Dispenser troubleshooting

Before calling for service

1. Check for ice in the ice storage area.
2. Check that congealed ice is not causing a jam.
3. Check that all switches and circuit breakers are on.
4. Check that all drains are clear.

 WARNING	
	<ul style="list-style-type: none"> • Disconnect power to unit before putting hands or arms in storage area or attempting any repair or service to equipment

Lever model troubleshooting guide

Problem	Indicators	Corrective Action
Does not dispense ice.	<ol style="list-style-type: none"> 1. Power switch off or faulty. 2. Faulty dispense switch. 3. Wheel motor malfunction. 	<ol style="list-style-type: none"> 1. Check switch – turn on or replace if faulty. 2. Replace switch. 3. Check motor and capacitor and replace
Dispense wheel rotates continuously.	Dispense switch contacts are burned out.	Replace dispense switch.
Icemaker runs continuously.	Faulty or incorrectly positioned bin stat.	Check for proper positioning. If stat does not open when ice is placed on capillary tube, replace stat.
Does not dispense water.	<ol style="list-style-type: none"> 1. Faulty water solenoid valve. 2. Faulty dispense switch. 3. Power switch off or faulty. 	<ol style="list-style-type: none"> 1. Replace water solenoid valve. 2. Replace dispense switch. 3. Check switch - turn on or replace if faulty.

SensorSAFE model troubleshooting guide

Problem	Action	SensorSAFE Board LED Status			Corrective Action
		PWR	CLN	ICE/WTR	
Does not dispense ice and/or water.	Check LEDs on the SensorSAFE control board.	OFF	OFF	OFF	Check circuit breakers and power switch. Restore power or replace defective switch.
		ON	ON	OFF	Press clean switch on lower left side of electrical enclosure to return board to normal operation.
	Place cup under drop zone (in front of lens)	ON	OFF	OFF	Troubleshoot appropriate lens/sensor and replace if required (see lens/sensor troubleshooting).
		ON	OFF	ON	Verify power on appropriate output terminal (WTR or WM) on control board and replace board if required. If board tests okay, troubleshoot appropriate dispenser component.
Dispenses ice and/or water continuously.	Check LEDs on control board.	ON	OFF	ON	Troubleshoot appropriate lens/sensor and replace if required (see lens/sensor troubleshooting).
		ON	OFF	OFF	If there is power on any output terminal (WTR or WM) on control board, replace board.

Board guide

LEDs, when illuminated, indicate the following: PWR (board power), CLN (cleaning, no dispensing cycle), ICE (ice dispensing activated), WTR (water dispensing activated).

Terminals: LI (incoming power, hot), L2 (neutral terminals), WTR (power terminal for water solenoid), WM (power terminal for wheelmotor), CLN (terminals for clean cycle switch).

Lens/sensor troubleshooting

1. Turn dispenser power switch off and remove splash panel.
2. Disconnect wires from WTR and WM terminals on board.
3. Gently remove sensor/mounting block from splash panel.
4. Inspect lens and sensor. Clean if necessary.
5. Restore dispenser power and test sensor by passing hand in front of sensor.
6. If LED on board turns on, sensor is operational. Re-assemble dispenser.
7. If LED does not come on, switch sensor leads on board and retest.
8. If opposite LED comes on, replace defective board.
9. If opposite LED does not come on, replace defective sensor.

Icemaker troubleshooting

Flashing water LED at any time indicates that water signal to board had been lost for more than one second.

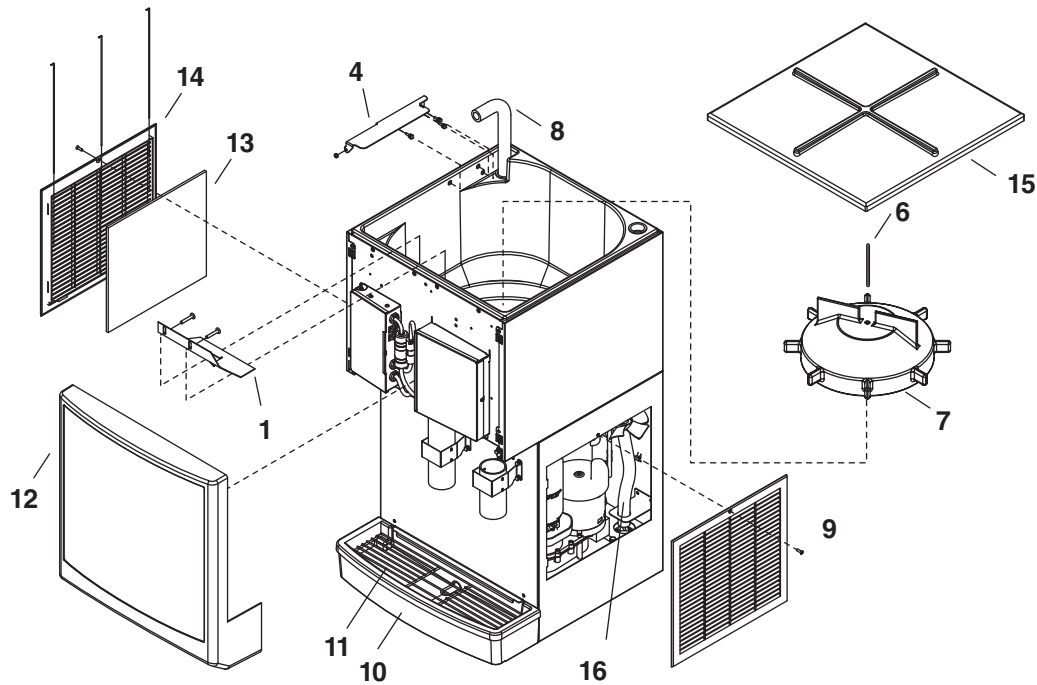
Ten-second delay: There is a 10 second delay in reaction to loss of water (WTR) or bin (B-E) signals. If signals are not lost for more than 10 seconds, no reaction will occur.

Problem	Indicators	Corrective Action
Icemaker will not run. System status: compressor, gearmotor, and fan motor inoperative.	<ol style="list-style-type: none"> 1. No power to unit. 2. Open bin level control. 3. Water OK LED (WTR) not on. 4. 20M or 2ND LED is on indicating that first or second torque error has occurred. 5. Gear motor locked up (immediate torque error indicated by LEDs when board is reset). 6. Open coil on gearmotor start relay causing an immediate torque error. 	<ol style="list-style-type: none"> 1. Check that unit is plugged in, circuit breakers are on. 2. Adjust or replace ice level control. 3. Check reservoir for water, restore water to unit. 4. See #6 below. 5. Repair or replace gearmotor. 6. Replace gearmotor start relay.
Compressor will not run. System status: gearmotor and fan motor run.	<ol style="list-style-type: none"> 1. Condenser coil plugged causing open overload or high pressure cut-out. 2. Defective starting capacitor. 3. Defective starting relay. 4. Open motor winding. 5. No power output from compressor output terminal on control board. 	<ol style="list-style-type: none"> 1. Clean condenser coil and replace overload if necessary. 2. Replace start capacitor. 3. Replace relay. 4. Ohm out windings and replace compressor if necessary. 5. Check terminal connection and replace control board if necessary.
Unit cycles intermittently. System status: compressor, gearmotor, and fan motor cycle.	<ol style="list-style-type: none"> 1. Float reservoir running dry, sensing probe signalling for system to shut down. 	<ol style="list-style-type: none"> 1. Check water supply to float and float operation. PC board will have flashing WTR LED.
Low ice production. Poor quality ice.	<ol style="list-style-type: none"> 1. Dirty air filter or condenser coil. 2. Restricted air flow to condenser coil. 3. Mineral coated evaporator. 4. Improper exhaust air provisions. 5. Faulty expansion valve. 6. Low refrigerant charge. 7. Superheat incorrect. 8. Inefficient compressor. 	<ol style="list-style-type: none"> 1. Clean or replace filter, clean condenser. 2. Remove obstruction. 3. Clean evaporator. 4. Provide proper exhaust air provisions per Follett installation manual. 5. Replace expansion valve. 6. Check for leaks; repair, evacuate, and weigh in correct charge. 7. Check that TXV sensing bulb is securely clamped in place and not damaged; check that insulated bulb cover is in place. 8. Replace compressor.
Water leaks from bottom of evaporator.	<ol style="list-style-type: none"> 1. O ring seal broken. 	<ol style="list-style-type: none"> 1. Replace O ring.
Icemaker runs for short period of time and shuts down on torque error. System status: 20M or 2nd LED is lit.	<ol style="list-style-type: none"> 1. Kink in ice transport tube. 2. Bin level control remains in closed position. 3. Ice transport tube ruptured internally. 4. Worn evaporator bearings. 5. Faulty gearmotor start relay. Icemaker torques out within 5 seconds of start-up. 6. Torque out occurs when storage bin fills to capacity. 	<ol style="list-style-type: none"> 1. Eliminate kink and check that tube routing complies with Follett icemaker installation manual. 2. Adjust or replace control. 3. Replace complete length of ice transport tube. 4. Inspect bearings for roughness or binding and replace if necessary. 5. Replace gearmotor start relay. 6. Ensure that ice contacts bin thermostat before backing ice up in transport tube. Refer to dispenser manual for proper thermostat and ice tube mounting.
Evaporator is iced up on the outside. No ice production. System status: compressor, gearmotor and fan motor running.	<ol style="list-style-type: none"> 1. Gearmotor running but no output rotation. 2. Float reservoir empty. 3. Air bubble in water supply line. Water in reservoir but not in evaporator. 	<ol style="list-style-type: none"> 1. Check for broken gearmotor output shaft or damaged gearbox. 2. Check for defective water sensor (water OK (WTR) LED remains on even when float empty or probe removed from water). 3. Purge air from line.

Problem	Indicators	Corrective Action
Compressor cycles intermittently. System status: gearmotor and fan motor run.	<ol style="list-style-type: none"> 1. Compressor start relay in wrong position. 2. High pressure cutout open due to high head pressure. 3. Clogged or dirty air filter or condenser coil. 4. Improper ventilation. 5. Defective compressor. 	<ol style="list-style-type: none"> 1. Position relay with arrow or word "top?" 2. Check discharge pressure and adjust water regulator valve. 3. Clean or replace filter, clean condenser coil. 4. Provide inlet and exhaust air provisions per Follett icemaker installation manual. 5. Replace compressor.
Unit runs but not making ice. System status: compressor, gearmotor & fan motor running.	<ol style="list-style-type: none"> 1. Clogged or dirty air filter or condenser coil. 2. Compressor not pumping. 3. Low refrigerant charge. 	<ol style="list-style-type: none"> 1. Clean or replace filter, clean condenser coil. 2. Replace compressor. 3. Check for leaks; repair, evacuate, and weigh in correct charge.
Compressor and fan motor will not run. Gearmotor runs.	<ol style="list-style-type: none"> 1. Compressor switch in OFF position. 2. No output on compressor and fan motor terminals on control board. 3. Failed fan motor causes high pressure cut-out to open. 	<ol style="list-style-type: none"> 1. Turn compressor switch on. 2. Replace control board. 3. Replace fan motor.
Intermittent noises from evaporator.	<ol style="list-style-type: none"> 1. Mineral build-up on evaporator surface. 	<ol style="list-style-type: none"> 1. Clean evaporator with liquid icemaker cleaner.

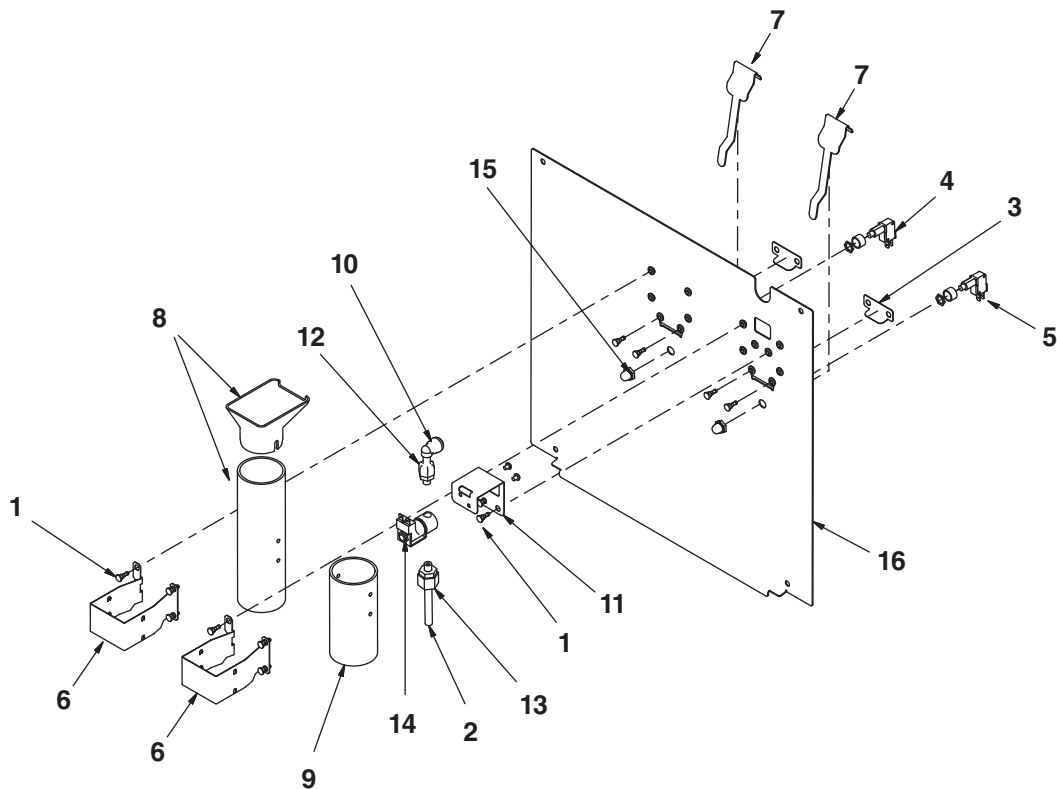
Dispenser replacement parts

Dispenser exterior



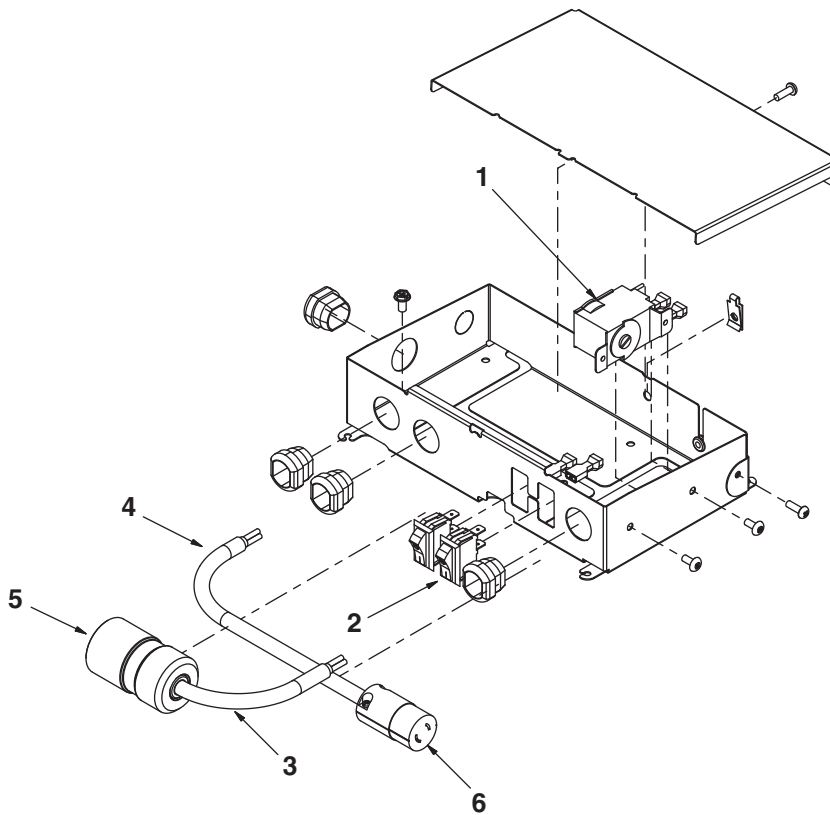
Part #	Description	Reference
501608	Baffle, ice	1
502821	Wheel, dispense (includes 501612)	2
502712	Bracket, ice tube	4
501612	Rod, threaded (includes knurled nut)	6
0996030	Ice transport tube, 25 series	8
00196048	Ice transport tube, 50 series	8
00192963	Louver, exhaust	9
502682	Drain pan	10
502683	Grille	11
00192831	Cover, front 25 series	12
00192849	Cover, front 50 series	12
00184275	Air filter	13
00192955	Louver, intake (includes 00184275)	14
502684	Lid, hopper	15
00900142	Drain tube, ice storage hopper	16
00195974	Drain pan protector	Not shown
00902080	Wall mount bracket and cover plate	Not shown

Dispense chute and splash panel areas – lever models



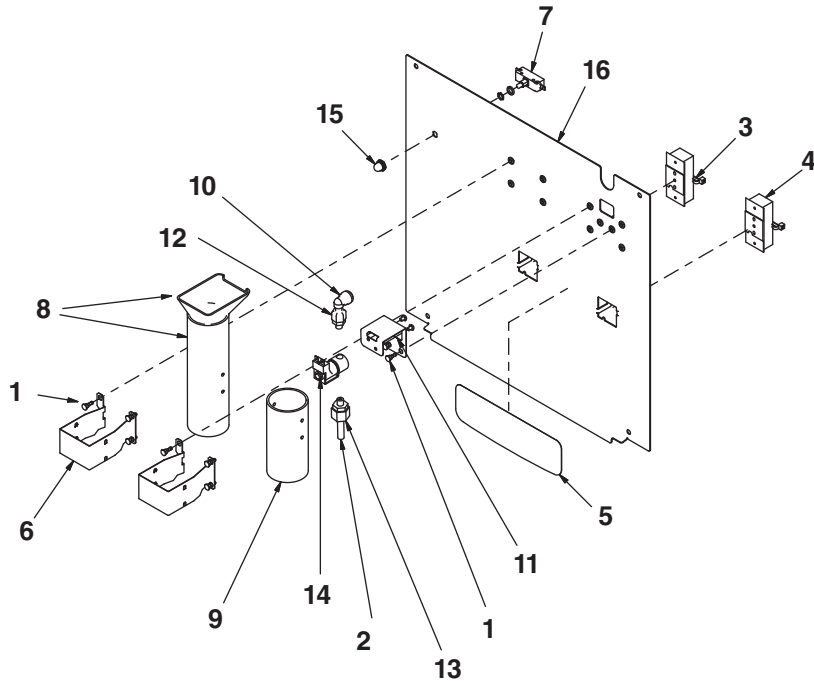
Part #	Description	Reference
502057	Fastener, dispense chute bracket	1
00187682	Tube, water station	2
00185116	Bracket, lever	3
502409	Switch, dispense, ice, lever actuated (includes 502418)	4
502409	Switch, dispense, water, lever actuated (includes 502418)	5
00192864	Bracket, chute (includes fasteners 502057)	6
00182808	Lever, dispense	7
00192948	Chute and funnel, ice	8
00184390	Chute, water	9
502925	Elbow, 3/8"	10
00182832	Bracket, water solenoid	11
502246	Fitting, inlet, 1/8" MPT x 1/4" comp	12
502262	Fitting, outlet, 1/8" MPT x 3/8" comp	13
502243	Solenoid valve, water, 120 V, 60Hz	14
502418	Boot, dispense switch button (mounts on 502409 switch)	15
502079	Tubing, water station, thermoplastic, 1/4" OD (sold by the foot)	Not shown
00192922	Splash panel, lever dispense	16

Dispenser electrical box – lever models



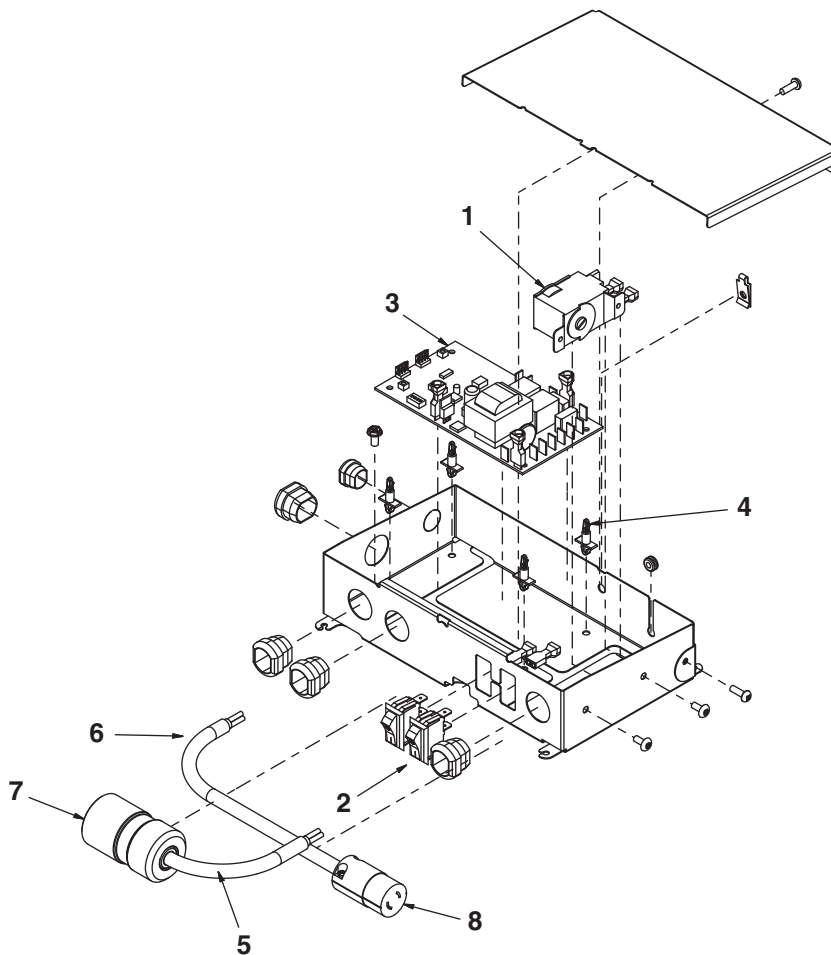
Part #	Description	Reference
500514	Thermostat	1
502209	Switch, dispenser power	2
502209	Switch, icemaker bin signal	2
00195818	Cord and socket (female), icemaker power	3
00195826	Cord and socket (female), bin signal	4
502336	Socket (female), icemaker power	5
502334	Socket (female), bin signal	6
502776	Power cord	Not shown

Dispense chute and splash panel areas – SensorSAFE models



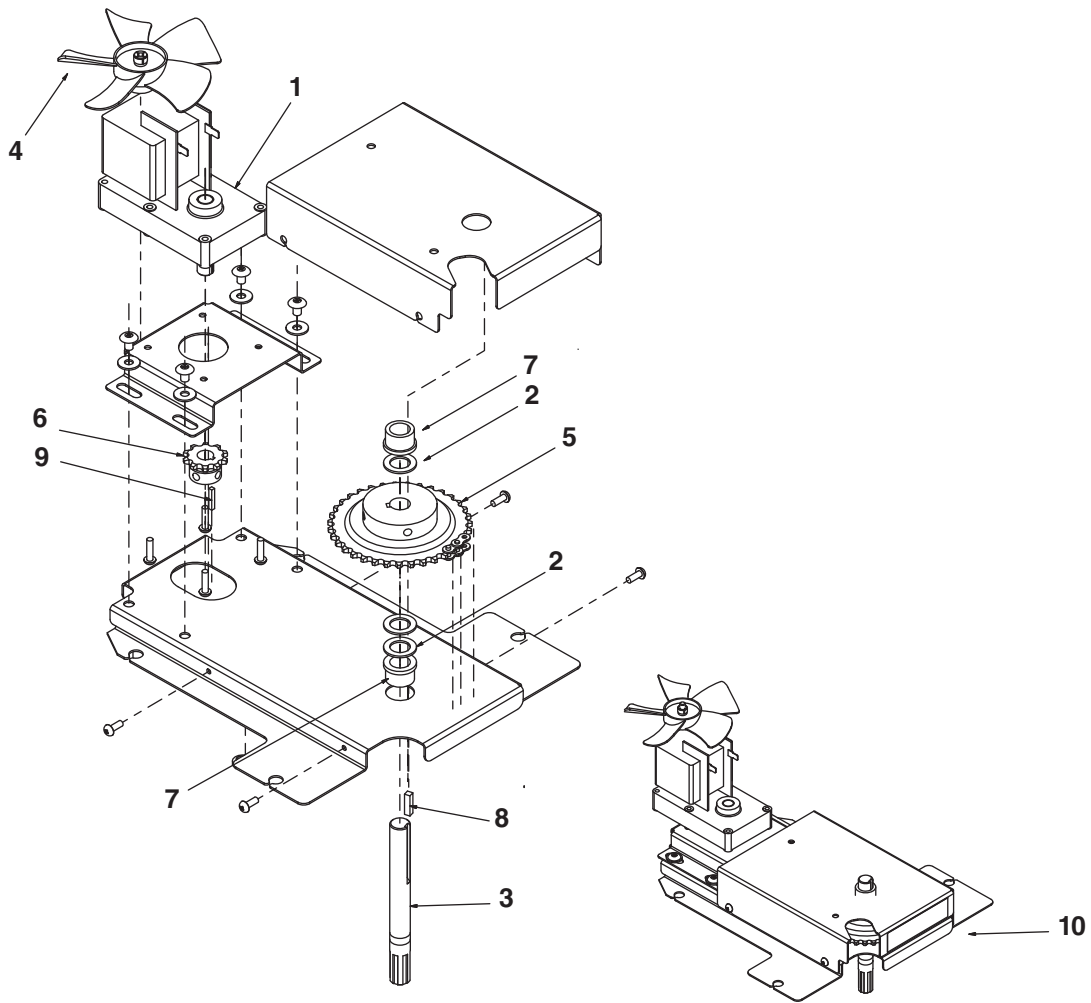
Part #	Description	Reference
502057	Fastener, dispense chute bracket	1
00187682	Tube, water station	2
00195982	Sensor, ice dispense	3
00195982	Sensor, water dispense	4
00196006	Lens, sensors	5
00192864	Bracket, chute (includes fasteners 502057)	6
502359	Clean switch, SensorSAFE (includes 501841)	7
00192948	Chute and funnel, ice	8
00184390	Chute, water	9
502925	Elbow, 3/8"	10
00182832	Bracket, water solenoid	11
502246	Fitting, inlet, 1/8" MPT x 1/4" comp	12
502262	Fitting, outlet, 1/8" MPT x 3/8" comp	13
502243	Solenoid valve, water, 120 V, 60Hz	14
501841	Boot, clean switch button (mounts on 502359 switch)	15
502079	Tubing, water station, thermoplastic, 1/4" OD (sold by the foot)	Not shown
00192930	Splash panel, SensorSAFE dispense with drain pan (includes 00196006)	16
00902072	Splash panel, SensorSAFE dispense, no drain pan	Not shown

Dispenser electrical box – SensorSAFE models



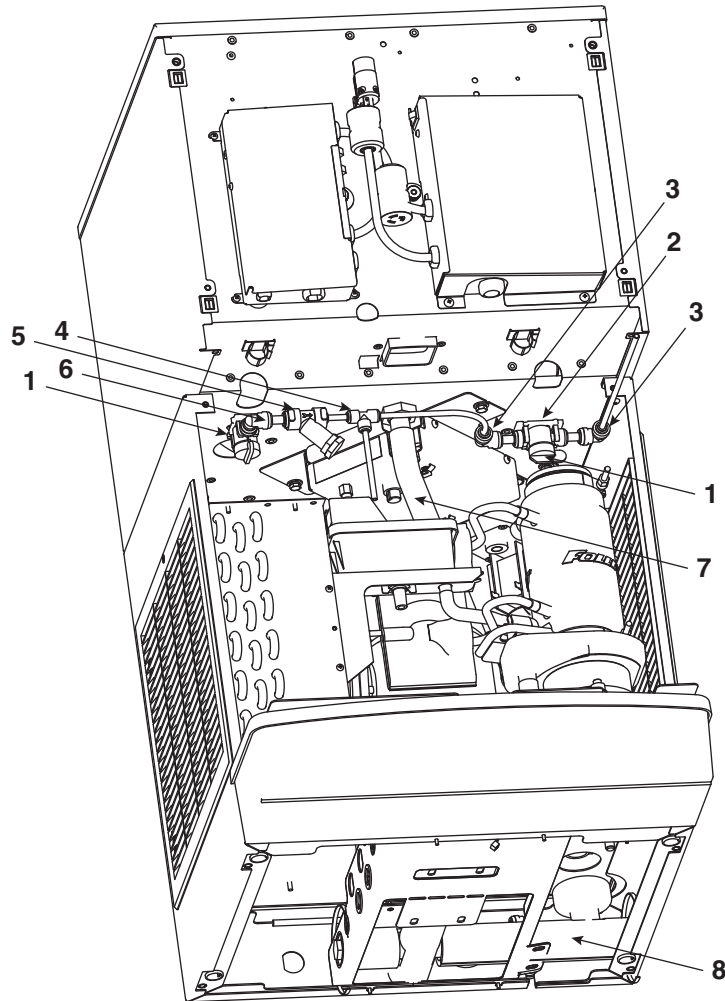
Part #	Description	Reference
500514	Thermostat	1
502209	Switch, dispenser power	2
502209	Switch, icemaker bin signal	2
502242	Board, SensorSAFE	3
501959	Standoff, board (4 required)	4
00195818	Cord and socket (female), icemaker power	5
00195826	Cord and socket (female), bin signal	6
502336	Socket (female), icemaker power	7
502334	Socket (female), bin signal	8
502776	Power cord	Not shown

Wheel motor and drive system

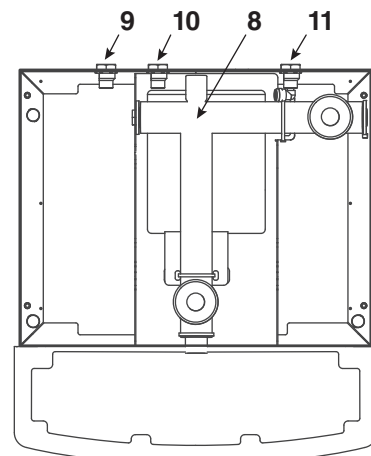


Part #	Description	Reference
501861	Wheel motor, 120V, 60Hz	1
501026	Washer, thrust	2
501607	Fan blade, wheel motor	4
00182246	Chain, pitch 64, link	Not shown
502692	Sprocket, drive shaft, 35T (includes 500367)	5
501019	Sprocket, wheel motor, 10T	6
501024	Bearing, drive shaft	7
500799	Connecting link, chain	Not shown
500367	Key, drive shaft	8
205991	Key, wheel motor	9
00192971	Dispenser drive assembly (parts 1-9 above)	10

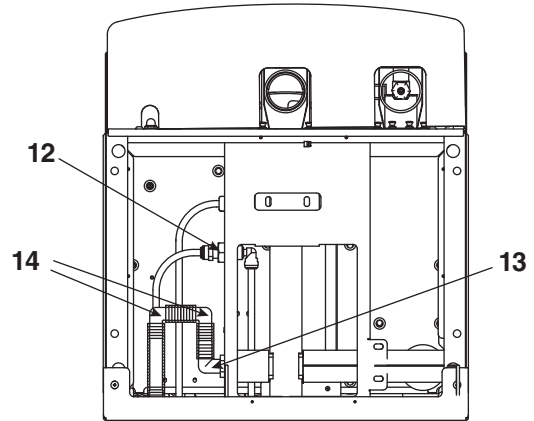
Water and drain



Countertop connections (CI)
(top view)



Wall mount connections (HI)
(bottom view)

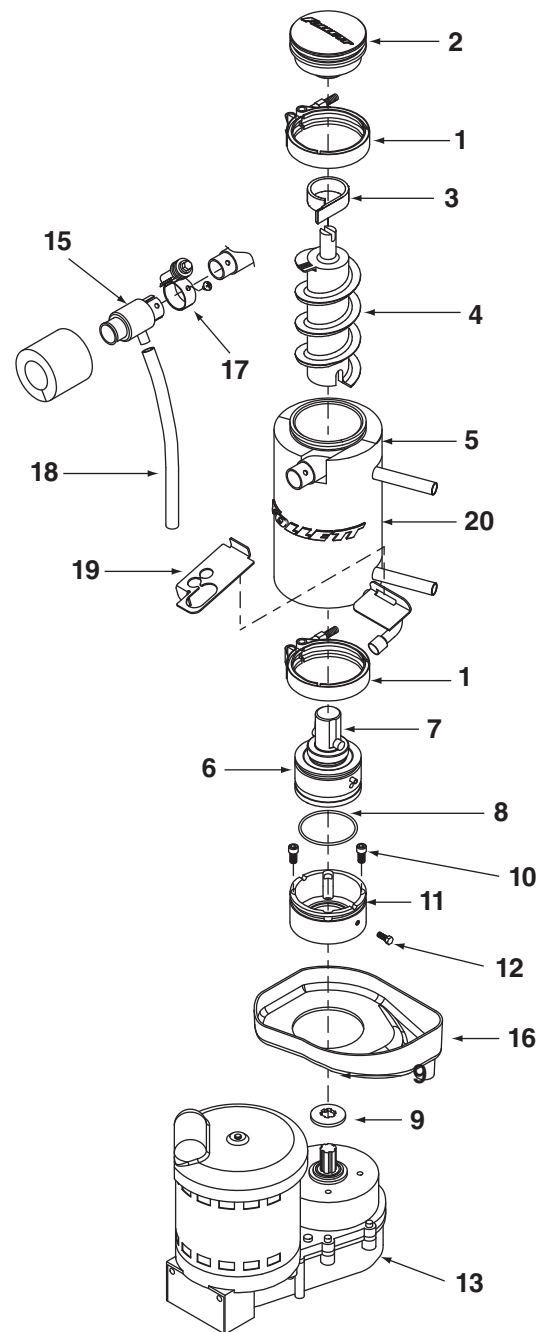


Part #	Description	Reference
502921	Valve, water shut off	1
502922	Clip, shut off valve	2
00134502	Elbow, 1/4" x 3/8"	3
502923	Tee, 1/4"	4
502920	Strainer	5
502925	Elbow, 3/8"	6
00184549	Drain tube, hopper	7
00195958	Drain, waste	8
00195966	Fitting, water-cooled condenser inlet	9
00195966	Fitting, water-cooled condenser outlet	10
00137315	Fitting, icemaker water inlet	11
00901652	Fitting, 3/8" tube X 3/8" MPT	12
00901660	Fitting, 3/8" tube X 1/2" MPT	Not shown
00901678	Fitting, 90° elbow, 3/4" barb X 3/4" MPT	13
00196113	Bottom cover, 25/50HI with drain pan	Not shown
00198341	Bottom cover, 25/50HI without drain pain	Not shown
00145144	Fitting, 90° elbow, 3/4" barb X 3/4" barb	14

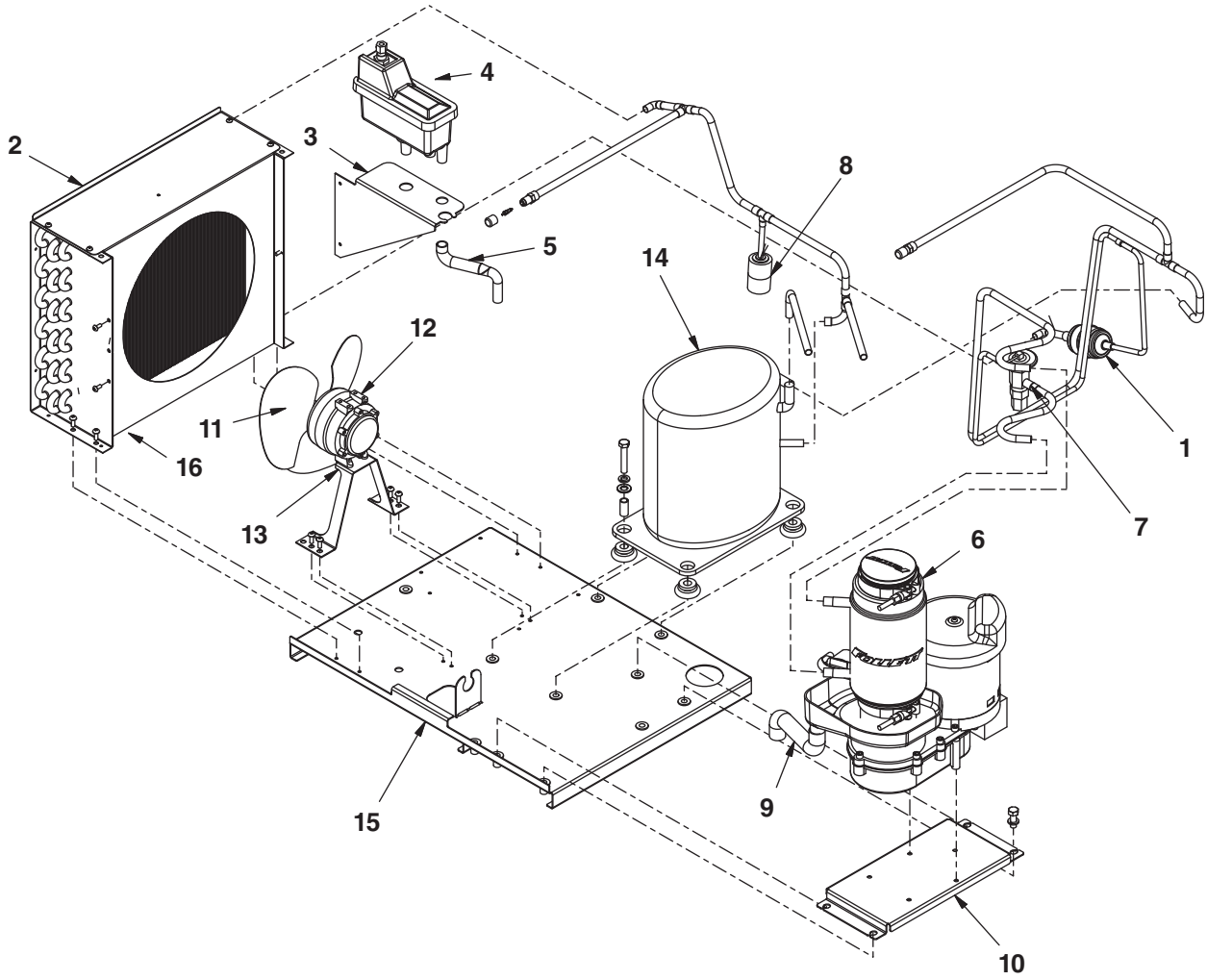
Icemaker replacement parts

Evaporator

Part #	Description	Reference
502735	Coupling, vee band, includes nut	1
502736	Bearing assembly, top	2
502110	Loop, ice compression, beveled	3
502737	Auger	4
502725	Evaporator (includes insulation jacket, 502740)	5
500496	O ring, bearing housing	6
502738	Bearing assembly, bottom (includes O rings and condensate shield)	7
501063	O ring, mounting base	8
500744	Shield, condensate	9
501080	Screw, Allen 1/4 20 x 1/2 (set of 4)	10
502733	Mounting base, evaporator (includes 501063)	11
502227	Bolt, mounting base	12
502730	Gearbox & motor assembly	13
00164046	Mounting base, gearbox	Not shown
502221	Compression nozzle, with single drain	15
00192914	Drain pan, evaporator (includes 00185421)	16
502226	Clamp, compression nozzle and screw	17
500680	Tubing, compression nozzle drain(s) (sold by foot)	18
501111	Grease, Chevron SRI-2, 14oz	Not shown
502739	Bracket, drain hose	19
502740	Insulation jacket, evaporator	20
502742	Relay, start, gearmotor	Not shown
502775	Oil, gearmotor (1 pint)	Not shown
00901439	Tube, evaporator drain	Not shown

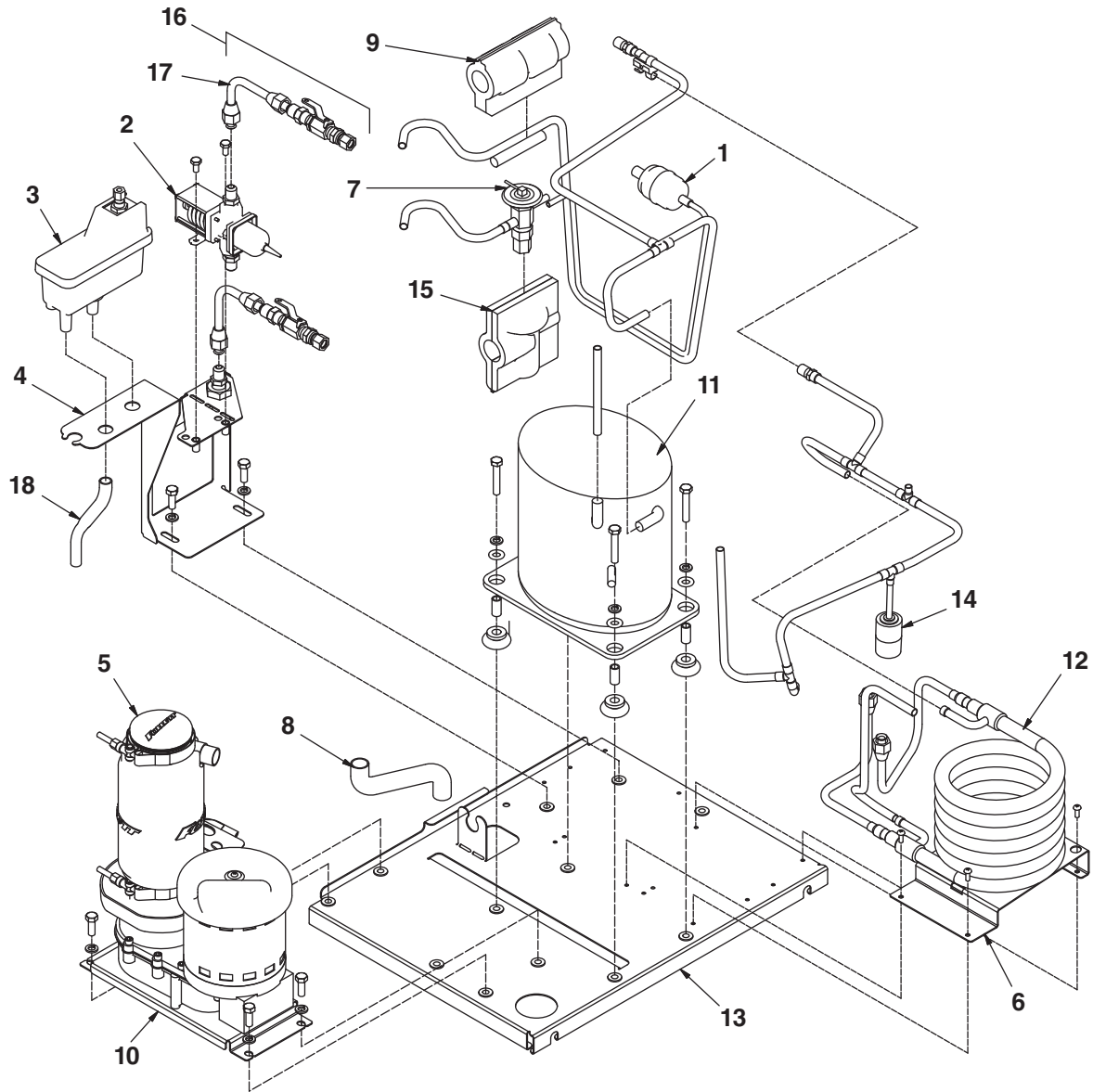


Air-cooled icemakers



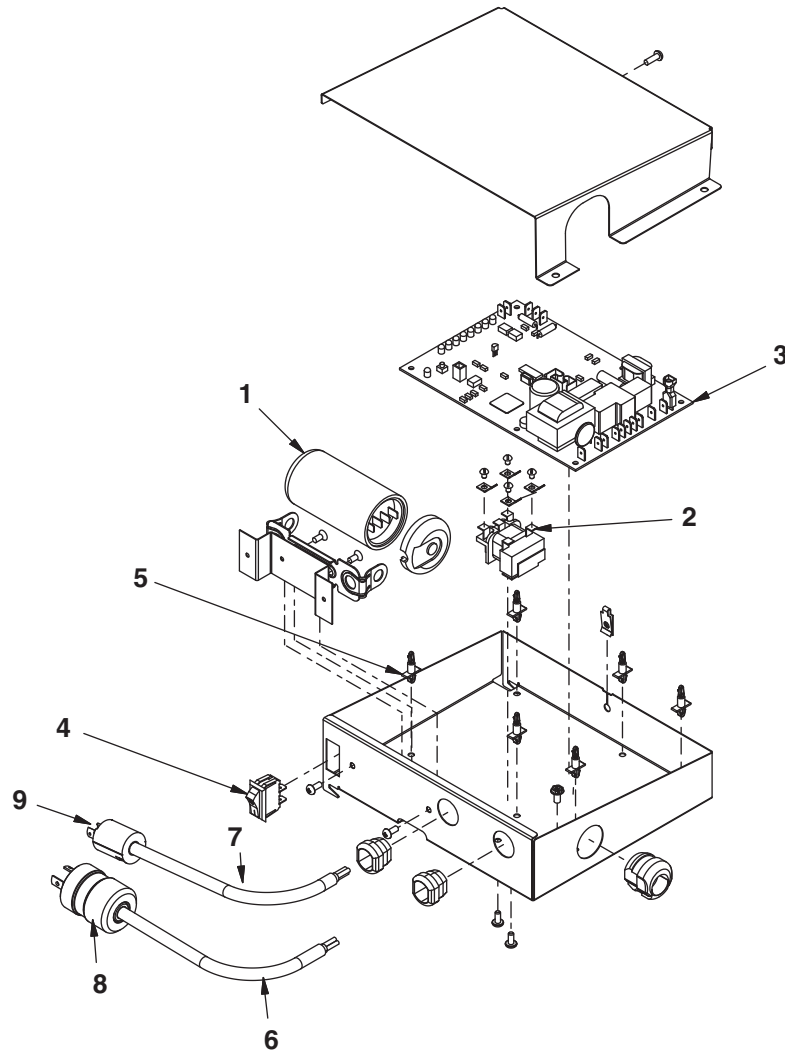
Part #	Description	Reference
502724	Drier	1
00195917	Condenser coil, air-cooled	2
502116	Water sensor	Not shown
00163824	Reservoir mounting bracket	3
500504	Float valve & reservoir	4
00187187	Reservoir overflow tube	5
00141440	Evaporator water feed and drain line	Not shown
	Evaporator (see page 41 for complete breakdown)	6
502079	Tubing, polypropylene, reservoir supply (sold by foot)	Not shown
502078	Fitting, plastic, float valve (includes sleeve & stem)	Not shown
502726	Valve, expansion, thermal (includes 502830 and 00106534)	7
502732	High pressure cutout	8
00185421	Tubing, evaporator drain	9
00164046	Mounting bracket, gearbox	10
500474	Fan blade	11
500672	Motor, fan, 115V, 60Hz	12
501188	Bracket, fan motor	13
502782	Overload, compressor, 115V, 60Hz	Not shown
502731	Compressor, 115V, 60Hz	14
00192989	Base, icemaker	15
00195925	Shroud, condenser coil	16
502830	Jacket, insulation, TXV	Not shown
00106534	Jacket, insulation, TXV bulb	Not shown

Water-cooled icemakers



Part #	Description	Reference
502724	Drier	1
500537	Valve, water regulating (includes 501810)	2
501810	Iso-washer (for water regulating valve)	Not shown
502116	Water sensor	Not shown
500504	Float valve & reservoir	3
00195941	Reservoir mounting bracket	4
502079	Tubing, polypropylene, reservoir supply (sold by foot)	Not shown
502078	Fitting, plastic, float valve (includes sleeve & stem)	Not shown
	Evaporator (see page 41 for complete breakdown)	5
00141440	Evaporator water feed and drain line	Not shown
00176149	Bracket, water-cooled condenser	6
502726	Valve, expansion, thermal (includes 502830 and 00106534)	7
00185421	Tubing, evaporator drain	8
00106534	Jacket, insulation, TXV bulb	9
00164046	Mounting bracket, gearbox	10
502782	Overload compressor, 115V, 60Hz	Not shown
502731	Compressor, 115V, 60Hz	11
00195933	Coil, condenser	12
00192989	Base, icemaker	13
502732	High pressure cutout	14
502830	Jacket, insulation, TXV	15
00196089	Line set, water-cooled condenser (2 required) (includes 00187211 and 00196097)	16
00187211	Water hose, 3/8" compression x 48"	Not shown
00196097	Elbow, icemaker water connection	17
00187187	Reservoir overflow tube	18

Icemaker electrical components



Part #	Description	Reference
502780	Capacitor, start, compressor, 115V, 60Hz	1
501588	Relay start, compressor, 115V, 60Hz	2
502331	Board, control circuit, 115V, 60Hz	3
502116	Water sensor	Not shown
502392	Switch, on/off, compressor	4
501959	Board, stand off control (4 required)	5
00195834	Cord and plug (male), icemaker power	6
00195842	Cord and plug (male), bin signal	7
502235	Plug (male), icemaker power	8
502233	Plug (male), bin signal	9

Maestro, SafeCLEAN, SensorSAFE and Symphony are trademarks of Follett Corporation.
Chewblet is a registered trademark of Follett Corporation, registered in the US.
Follett reserves the right to change specifications at any time without obligation. Certifications may vary depending on country of origin.



801 Church Lane • Easton, PA 18040, USA
Toll free (877) 612-5086 • +1 (610) 252-7301
www.follettice.com



00187153R04
01/11