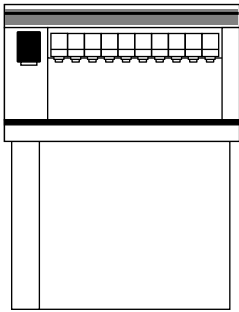


U300/UD300 Series Ice and Beverage Dispensers

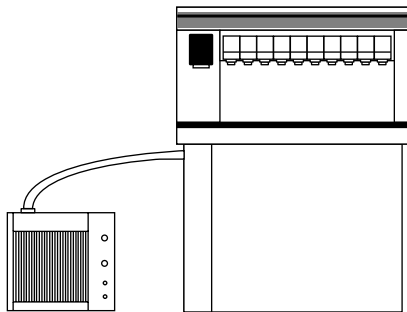
Order parts online
www.follettice.com

Installation Manual
Service Numbers Below B22204

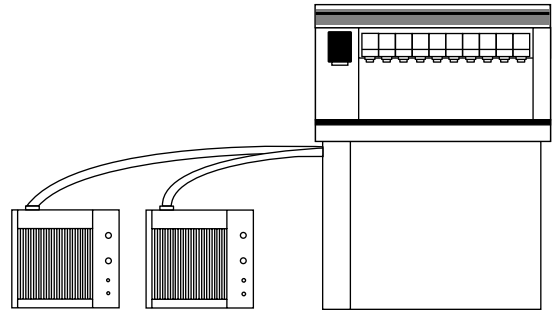
Single-sided dispensers



Model U300
Model U300B

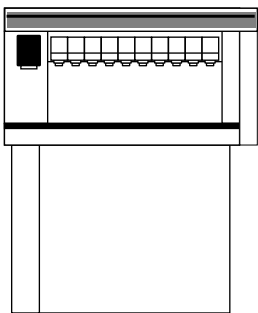


Model U300R400A/W
Model U300BR400A/W

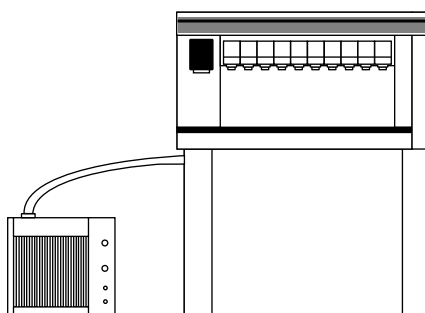


Model U300R800A/W
Model U300BR800A/W

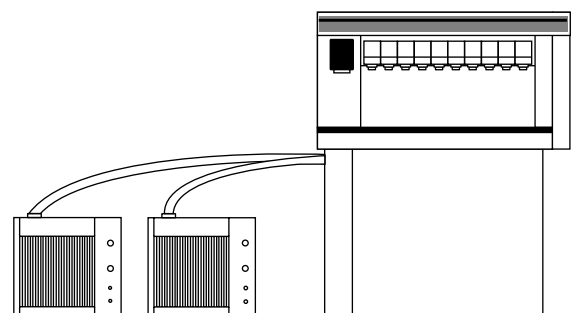
Dual-sided dispensers



Model UD300



Model UD300R400A/W



Model UD300R800A/W

Welcome to Follett

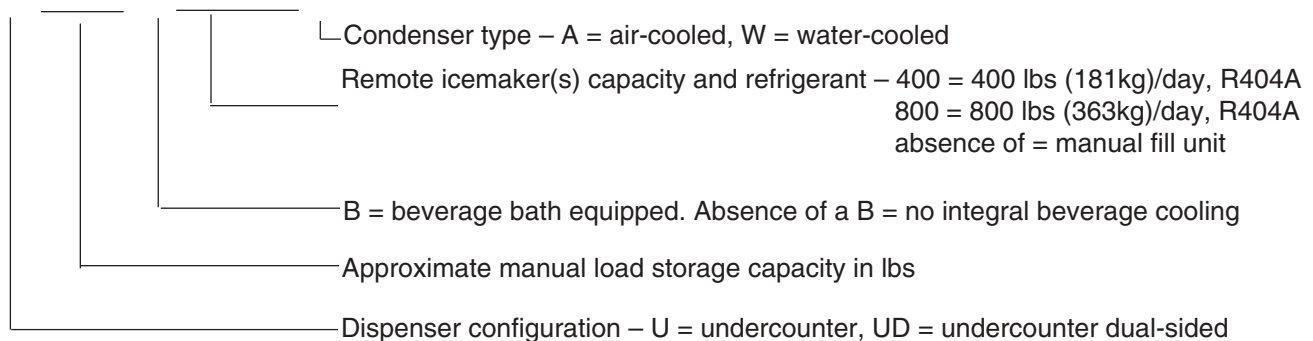
Follett ice dispensers enjoy a well-deserved reputation for excellent performance, long-term reliability and outstanding after-the-sale support. To ensure that this dispenser delivers that same degree of service, we ask that you take a moment to review this manual before beginning installation of the dispenser.

Should you have any questions or require technical assistance at any point, please call our technical service group toll free at (800) 523-9361 or (888) 2-FOLLETT or (610) 252-7301.

Before you begin

- After uncrating and removing all packing material, inspect the equipment for concealed shipping damage. If damage is found, notify the shipper immediately and contact Follett Corporation so that we can help in filing a claim, if necessary.
- Check your paperwork to determine which model you have. Follett model numbers are designed to provide information about the type and capacity of Follett ice dispensing equipment. Following is an explanation of the different model numbers.

U300BR400A



Important cautions

- Storage area of dispenser contains mechanical, moving parts. Keep hands and arms clear of this area at all times. If access to this area is required, power to unit must first be disconnected.
- **Follett manual load dispensers can accommodate most cube/cubelet ices up to 1" square and compressed nugget ice. Nugget, crushed, flake, bagged or congealed ice cannot be used. Use of these ices can jam dispenser and void warranty. Separate any "waffle-like" sections of cubes before adding to dispenser. For ice compatibility questions, please call Follett customer service at (800) 523-9361 or (888) 2-FOLLETT or (610) 252-7301.**
- Follett recommends use of an activated carbon filter for units equipped with icemakers
- Ice is slippery. Maintain counters and floors around dispenser in a clean and ice-free condition.
- Ice is food. Follow recommended cleaning instructions to maintain cleanliness of delivered ice.

Electrical specifications – 115V, 60Hz, 1 phase

- Maximum fuse size 15 amps, each circuit all models
- Equipment ground required
- Electric disconnect suggested within 10 ft (3m) of dispenser and icemaker(s)

Single-sided dispensers

- U300 – dispenser 6.0 amps
- U300B – dispenser 7.0 amps
- U300R400A/W – dispenser 6.0 amps, icemaker 11.0 amps
- U300BR400A/W – dispenser 7.0 amps, icemaker 11.0 amps
- U300R800A/W – dispenser 6.0 amps, icemakers 11.0 amps each
- U300BR800A/W – dispenser 7.0 amps, icemakers 11.0 amps each

Dual-sided dispensers

- UD300 – dispenser 8.0 amps
- UD300R400A/W – dispenser 8.0 amps, icemaker 11.0 amps
- UD300R800A/W – dispenser 8.0 amps, icemakers 11.0 amps each

On all models with remote icemaker(s), black wire on icemaker control board LINE VAC terminal must be moved to 24V terminal.

Plumbing

Caution: Do not reduce size of drain lines or tie drains together.

- Dispenser**
- 3/4" slip fit PVC bin drain
 - 1" PVC slip fit drain pan drain(s)
 - 1" PVC slip fit beverage bath drain (units with beverage cooling)

Note: Drains should be hard piped and insulated. Maintain at least 1/4" per foot slope (6mm per 304mm run) on drain line run.

- Icemaker** Refer to Icemaker Installation Manual packed with icemaker for installation instructions
- 1/4" FPT water in
 - 1/2" MPT drain
 - 3/8" FPT condenser inlet (water-cooled condenser only)
 - 1/2" FPT condenser drain (water-cooled condenser only)

Note: Water disconnect within 10 ft (3m) of dispenser is suggested for auto load units.

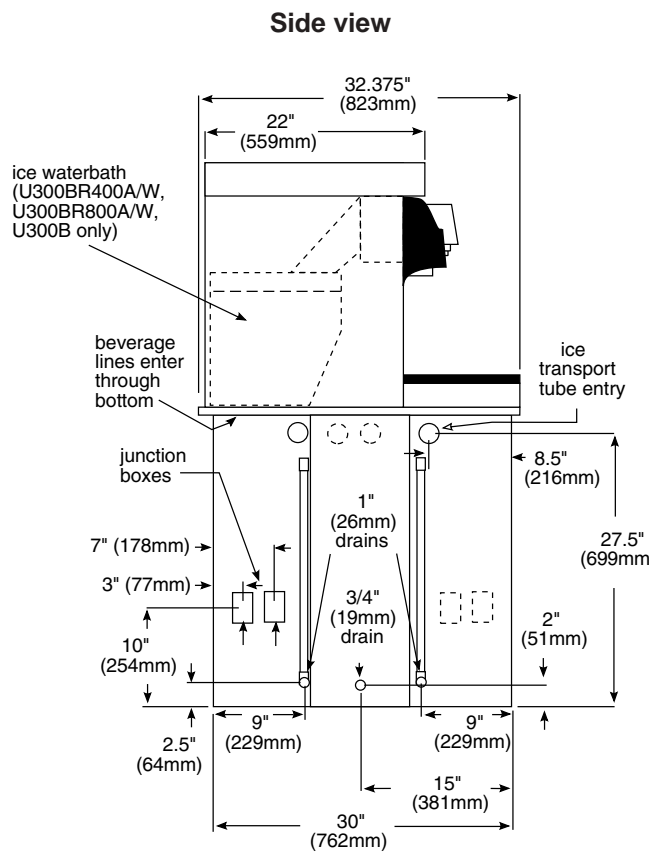
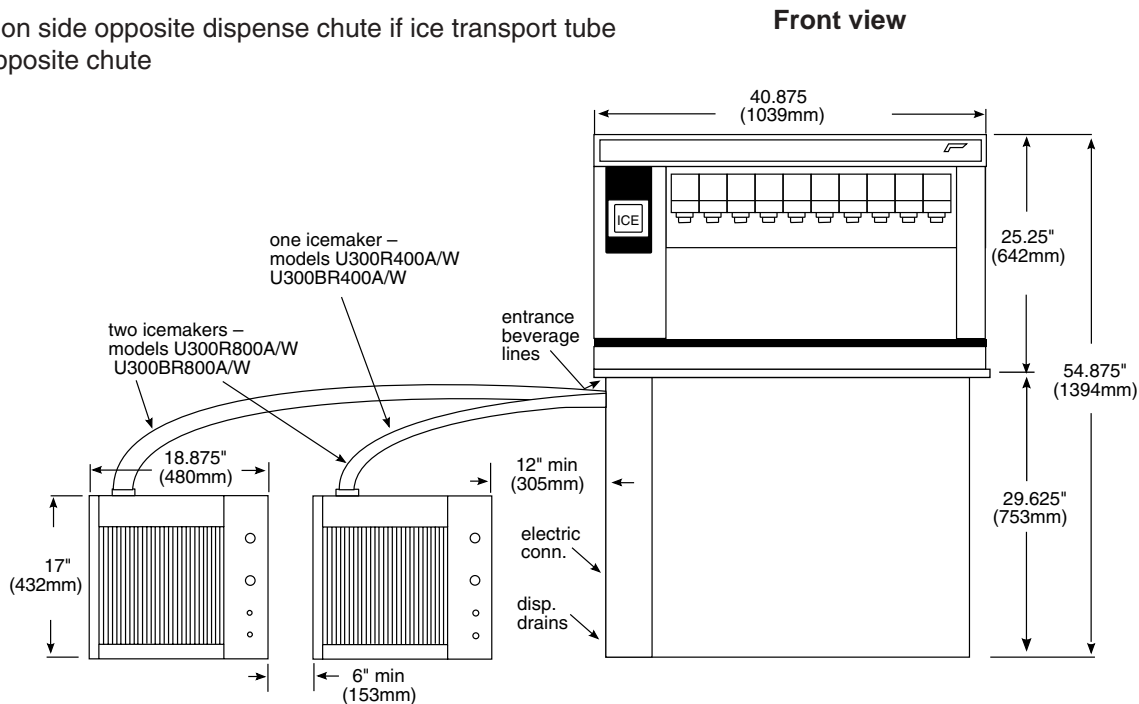
Beverage connections

Dispenser type	Syrup lines	Carbonator manifold	Plain water lines
Single-sided models	1/4" barb	3/8" barb	1/4" barb
Dual-sided models	Pigtail connections provided at base of dispenser		
	1/4" hose	3/8" hose	1/4" hose

U300 series single-sided dispensers

Required clearances

- 60" (1524mm) above counter for installation if dispenser will be dropped into counter
- 49" (1245mm) above counter for all units after installation for auger cleaning and servicing
- 12" (305mm) on dispense chute side of all models for connections
- 12" (305mm) on side opposite dispense chute if ice transport tube enters side opposite chute



Electrical hookup information

Model	Electrical Connection	Circuit(s) required
U300 U300B UD300	<ul style="list-style-type: none"> • Hard wiring of dispenser required 	115V, 60Hz, 1 phase Max. fuse dispenser – 15 amps.
U300R400A/W U300BR400A/W UD300R400A/W	<ul style="list-style-type: none"> • Dispenser power – hard wiring required • Bin signal – cord and plug supplied • Icemaker – cord and plug supplied on power and bin signal 	115V, 60Hz, 1 phase (2) circuits required <ul style="list-style-type: none"> • Dispenser – 15 amps max. fuse size • Icemaker – 20 amps max. fuse size
U300R800A/W U300BR800A/W U300R800A/W	<ul style="list-style-type: none"> • Dispenser power – hard wiring required • Bin signal – cord and plug supplied • Icemaker – cord and plug supplied on power and bin signal 	115V, 60Hz, 1 phase (3) circuits required <ul style="list-style-type: none"> • Dispenser – 15 amps max. fuse size • (2) icemakers – 20 amps max. fuse size each

Note: equipment must be wired according to local and NEC codes.



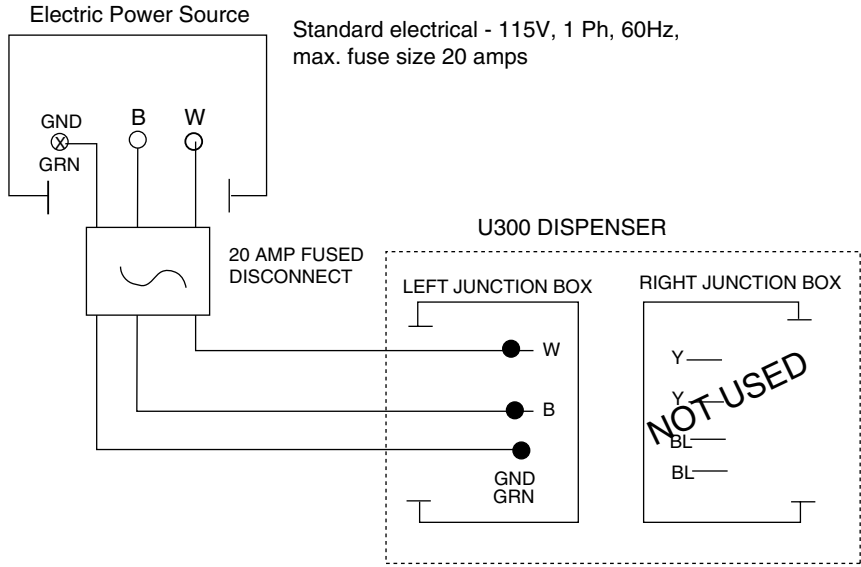
Attention – Should local codes require a hard-wired connection and/or shielded wiring, eliminate the cord(s) and plug(s) and follow the appropriate field wiring diagram on the following page.

See Icemaker Installation and Operation manual for recommended junction box preparation of hard-wired remote icemaker(s).

Field wiring diagram – manual load models

IMPORTANT
 FIELD WIRING DIAGRAM IS INTENDED TO AID ELECTRICIAN OR TECHNICIAN IN UNDERSTANDING HOW EQUIPMENT WORKS. ALL FIELD WIRING MUST BE INSTALLED IN ACCORDANCE WITH NEC AND LOCAL ELECTRICAL CODES.

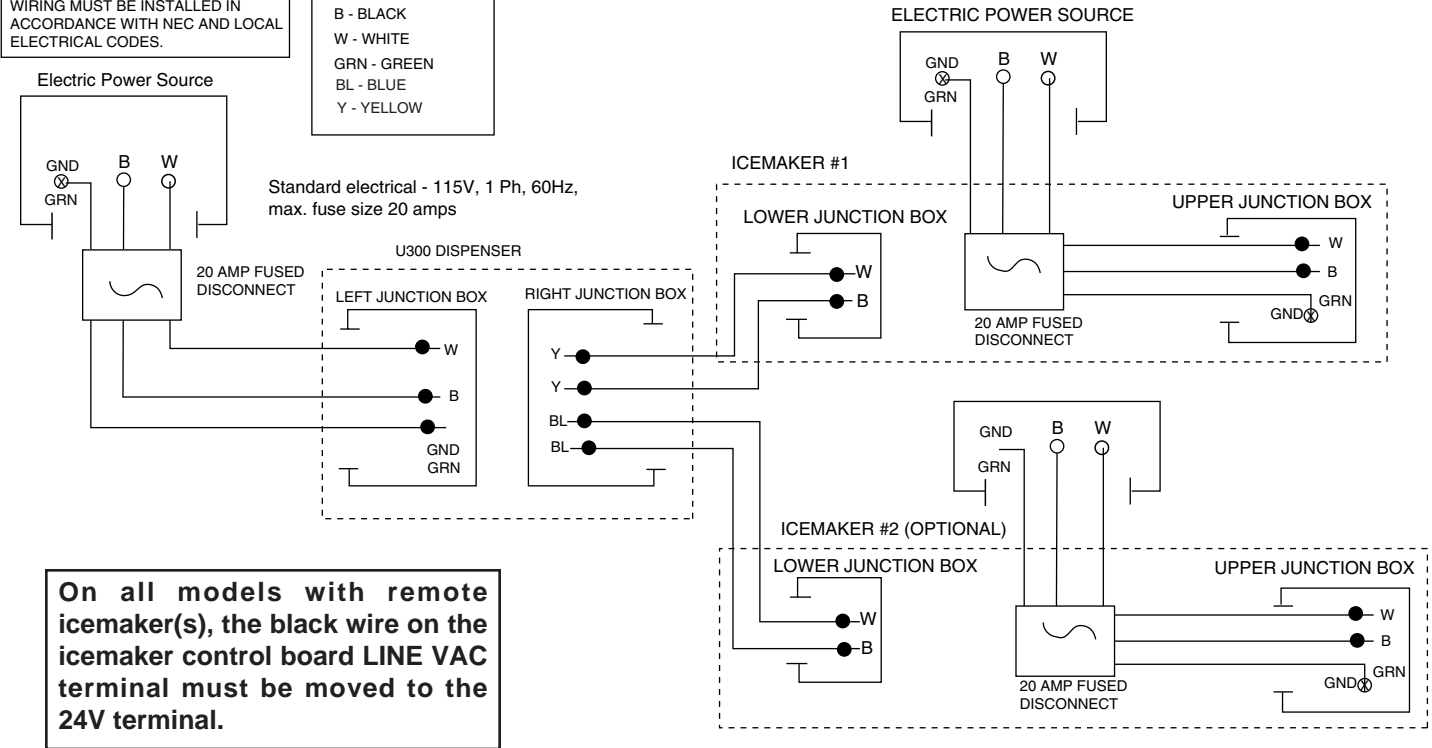
LEGEND
 ● WIRENUT FIELD CONNECTIONS
 ⊗ EQUIPMENT GROUND
 B - BLACK
 W - WHITE
 GRN - GREEN
 BL - BLUE
 Y - YELLOW



Field wiring diagram – automatic load models

IMPORTANT
 FIELD WIRING DIAGRAM IS INTENDED TO AID ELECTRICIAN OR TECHNICIAN IN UNDERSTANDING HOW EQUIPMENT WORKS. ALL FIELD WIRING MUST BE INSTALLED IN ACCORDANCE WITH NEC AND LOCAL ELECTRICAL CODES.

LEGEND
 ● WIRENUT FIELD CONNECTIONS
 ⊗ EQUIPMENT GROUND
 B - BLACK
 W - WHITE
 GRN - GREEN
 BL - BLUE
 Y - YELLOW



ADA collar details and installation requirements



If dispenser is to be installed in a 34" (864mm) high counter for ADA compliance, a .9" (23mm) stainless steel "collar" must be installed between dispenser and counter to provide necessary clearance. Standard 36" (915mm) counters do not require this accessory piece. If you need this collar and it was not included with dispenser, please call Follett to obtain it.



All U300/UD300 dispensers must be installed level in both directions to ensure proper operation and must be supported from below with supplied 6" (153mm) legs, or with channels installed at site. Do not hang dispenser on flange. These dispensers weigh approximately 325 lbs (147kg). Use care when maneuvering unit into position.

All units

1. Make counter cut-out in accordance with instructions on page 8.
2. If not using legs, block up area below counter cut-out to support dispenser.

Procedure for dispensers that will be dropped into a four-sided cut-out:

3. Center collar over counter cut-out opening.
4. If dispenser is equipped with an icemaker, disconnect ice transport tube from its bracket in storage area of dispenser (if tube enters opposite from tower).
Note: Since this tube must be reinstalled in bracket after dispenser is dropped into counter, note how tube is held by bracket tabs before disconnecting.
5. Carefully lower dispenser into counter cut-out as described on page 8, adjusting height of dispenser from below until dispenser flange rests flush on collar and is supported by legs or blocks.

Procedure for dispensers that will be slid into a three-sided cut-out:

3. Slide collar over bottom of dispenser and hold against dispenser counter flange.
4. Carefully slide dispenser into position, keeping ice transport tube clear of counter supports.
5. Adjust height of dispenser from below until dispenser flange rests flush on collar and is supported by legs or blocks.

All units

6. Apply a bead approximately 1/4" (6mm) in diameter of NSF-listed silicone sealant (Dow Corning RTV-732 or equivalent) around perimeter of dispenser where it meets collar and smooth sealant to a 1/8" (4mm) radius.
7. Proceed with electrical, plumbing (and ice tube connections on automatic load units) as described beginning on page 8.

Installing U300/UD300 series dispenser in counter

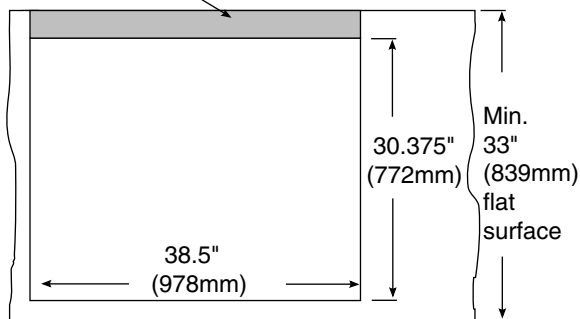


All U300/UD300 dispensers must be installed level in both directions to ensure proper operation and must be supported from below with supplied 6" (153mm) leg accessory, or with channels installed at site. Do not hang dispenser on flange. These dispensers weigh approximately 325 lbs (147kg). Use care when maneuvering unit into position.

1. After determining that the dispenser location will meet all requirements detailed in this manual, cut counter for slide-in or drop-in installation as shown in drawings below. Shaded area on drawings depicts slide in from rear of counter, however dispensers may be slid into counter from any side.
2. If legs will be used, carefully block up dispenser and install set of 6" (153mm) legs.
3. For **slide-in installations**, carefully slide dispenser into position.

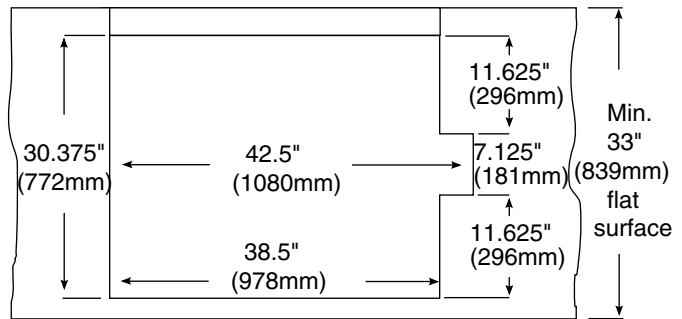
Plan view
U300 series single-sided dispensers
counter cut-out

Shaded area is additional cutout required for slide-in installations only



Plan view
UD300 series dual-sided dispensers
counter cut-out

Dual-sided dispensers cannot be slid into counter unless raised above counter. Call factory for details.



4. For **drop-in installations only**, rig dispenser for hoisting with a mechanical lift and carefully lower dispenser into counter until dispenser rests on support blocks or legs. **USE SPREADER BARS TO KEEP HOISTING ROPES AWAY FROM UPPER SECTION OF DISPENSER. DO NOT HOIST BY TOWER OR RAIL SECTION! MUST REMOVE HANDLE TO FIT IN COUNTER.**



U300/UD300 series dispensers weigh approximately 325 lbs (147kg). Use of a mechanical lifting device to lower dispenser into counter on drop-in installations is strongly suggested to avoid injury.

5. Shim support members or adjust legs until dispenser flange rests lightly on counter.



DISPENSER MUST BE SUPPORTED SECURELY FROM BELOW. DO NOT HANG DISPENSER ON COUNTER FLANGE.

6. Apply a bead approximately 1/4" (6mm) in diameter of NSF-listed silicone sealant (Dow Corning RTV-732 or equivalent) around perimeter of dispenser where it meets counter and smooth sealant to a 1/8" (4mm) radius.
7. Install hard drain lines for all drains, maintaining at least a 1/4" per foot slope (6mm per 304mm run) and insulate lines to prevent condensation.



DO NOT REDUCE DRAIN LINE SIZE. DO NOT TIE DRAINS TOGETHER. PVC PIPE IS SUGGESTED. CARE MUST BE TAKEN IN SWEATING ANY ADJACENT METAL DRAIN PIPE USED. EXCESSIVE HEAT APPLIED WHILE SWEATING METAL PIPE MAY MELT PLASTIC FITTING ON DISPENSER.

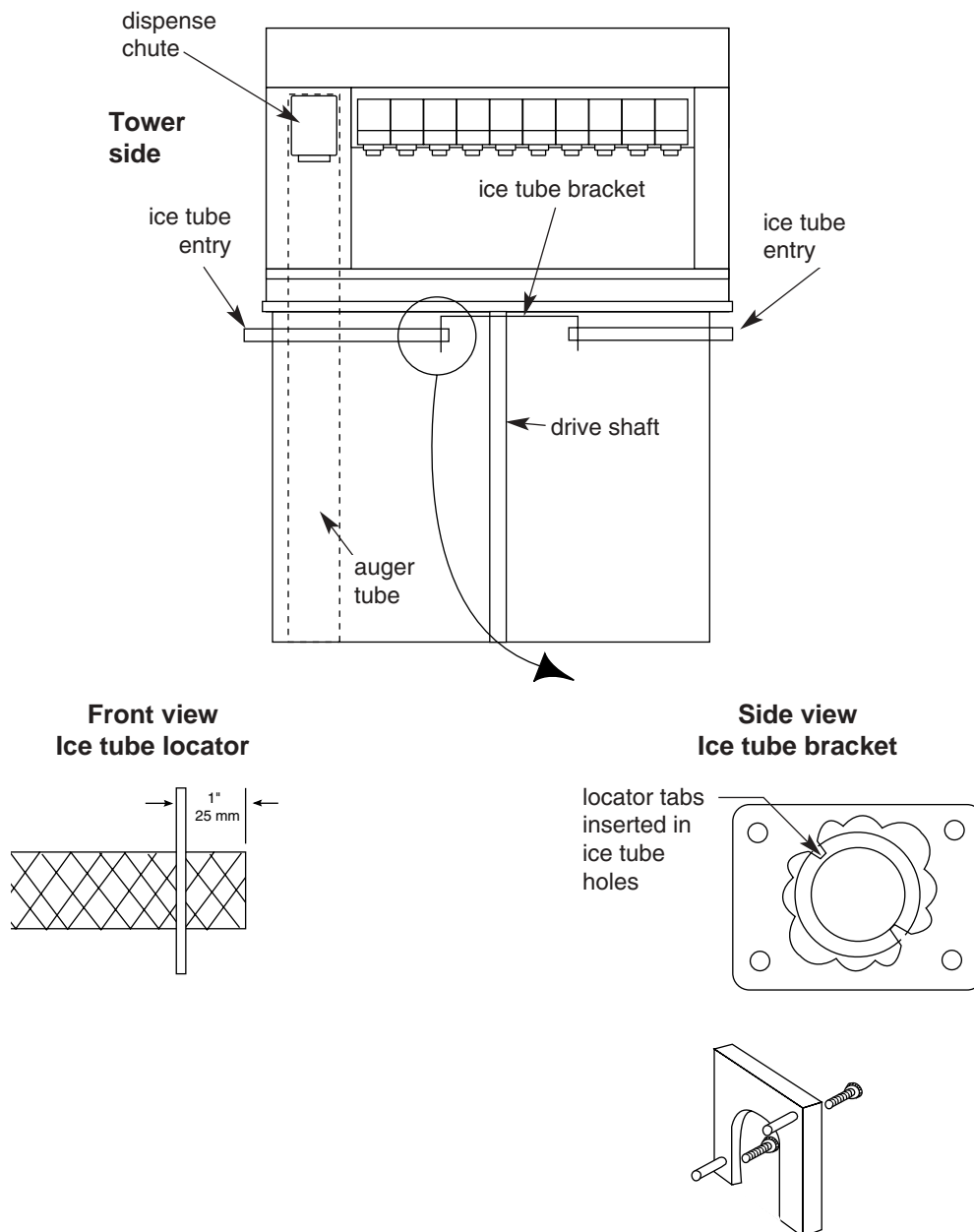
8. Make electrical connections in accordance with applicable wiring diagrams on page 6 and chart on page 5, as well as NEC and local codes. Provide disconnects within 10 ft (3m) of dispenser and icemaker for service purposes.

Installing remote icemaker(s) (automatic load models only)

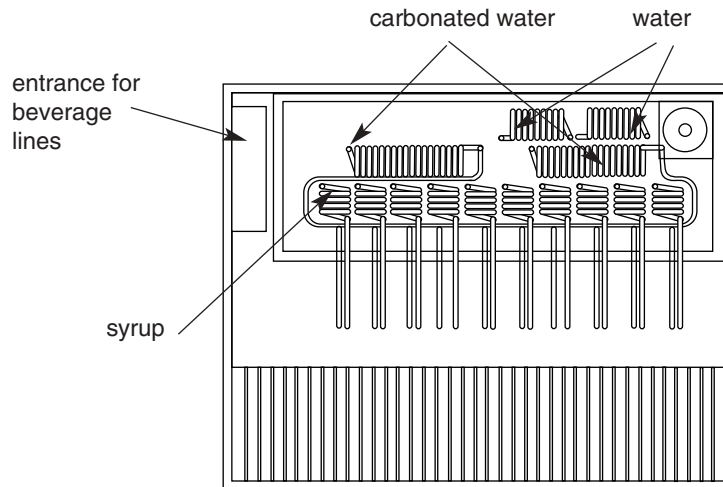


Correct installation of remote icemaker(s) is critical to proper performance of icemaker and dispenser. Refer to installation manual packed with icemaker for important details on ice transport tube run, ventilation requirements for air-cooled remote icemakers and other installation requirements. Failure to comply with instructions will void warranty.

1. Position icemaker in desired location.
2. If ice transport tube will enter on tower side of dispenser, go to Step 5.
3. If ice transport tube will enter on side opposite tower, slide free end of ice transport tube(s) (without locator) from inside of bin out through any of four prepared entry holes provided in dispenser sides, as shown.
4. Mate ice tube locator with appropriate slot in ice tube bracket and secure with two (2) thumbscrews provided.
5. Proceed with ice transport tube installation from dispenser to icemaker(s) in compliance with instructions contained in Icemaker Installation Manual packed with icemaker.



**Plan view – ice-waterbath
(available only on single-sided dispensers)**



Connecting beverage lines

1. Remove dispenser top.
2. On single-sided units, run syrup and carbonated water lines through opening in tower side of dispenser (see drawing above).
3. On dual-sided units, run beverage lines up through opening in side opposite tower.
4. Clean and sanitize beverage lines in accordance with cleaning instructions below.
5. Connect syrup, carbonated water, and water (if non-carbonated valve is used).

Cleaning and sanitizing before use



Warning: Disconnect power before cleaning dispenser.

Use solutions below to clean and sanitize storage area and beverage lines before starting unit.

Solution A: 200 ppm chlorine content cleaning solution (Ecolab Mikro-chlor Cleaner or equal chlorinated detergent). Solution temperature must be 75° – 125°F (24° - 52°C).

Solution B: 50 ppm chlorine content sanitizing solution (Ecolab Mikro-chlor Cleaner or equal chlorinated detergent). Solution temperature must be 75° – 125°F (24° - 52°C).

Cleaning bin and dispenser components

1. Refer to disassembly instructions provided in U300 Operation and Service Manual and remove wheel, baffles, drive shaft and agitators from bin storage area.
2. Remove auger, auger tube and dispense mechanism.
3. Wipe all components and storage area with cleaning Solution A.
4. Rinse all components and storage area thoroughly with clear, potable water.
5. Wipe all components and storage area with sanitizing Solution B.

Cleaning beverage system

Prepare 10 gallons (38L) of cleaning Solution A. Fill a clean product tank with cleaning solution. Fill a second clean product tank with potable rinse water.

1. Disconnect all syrup lines from product containers.
2. Connect syrup circuit #1 to cleaning solution tank, pressurize tank to 20-50 psi, and dispense 1/2 gallon (2L) of solution into suitable container from valve #1.
3. Connect syrup circuit #1 to rinse tank, pressurize tank to 20-50 psi, and dispense 3 gallons (11L) into suitable container from valve #1.
4. Repeat cleaning and rinsing for all syrup lines.
5. Remove diffusers and nozzles from valves, soak in cleaning solution, rinse well and reinstall.

Sanitizing

Prepare 10 gallons (38L) of sanitizing Solution B. Fill clean product tank with solution.

1. Connect one tank to syrup circuit #1. Dispense 1/2 gallon (2L) from valve #1.
2. Repeat for all remaining circuits, allowing sanitizing solution to remain in all circuit lines for 15 minutes.
3. Connect clean, empty tank (pressurized to 50 psi) to each syrup circuit and blow out sanitizer by operating each valve.
4. Reconnect all lines and dispense product through valves to purge any remaining sanitizer.



Warning: Failure to remove all sanitizer may result in health hazard.

Final start-up – all models

1. On models with Follett integral ice-waterbath beverage cooling only, remove dispenser top, connect hose to cold water supply, and carefully fill empty bath with cold water to submerge coils.
2. For all models, turn on power to dispenser.
3. Fill manual load units with ice.

Follett manual load dispensers can accommodate most cube/cubelet ices up to 1" square or compressed nugget ice. Nugget, crushed, flake, bagged or congealed ice cannot be used. Use of these ices can jam dispenser and void warranty. Separate any "waffle-like" sections of cubes before adding to dispenser. If you have any questions concerning your ice type, please call Follett's technical service group at (800) 523-9361 or (888) 2-FOLLETT or (610) 252-7301.

4. For automatic fill models, turn on icemaker and begin to make ice.
5. When dispenser has at least 6" (153mm) of ice in lower storage area, press lever or button to insure that dispenser is operating properly.
6. Fill ice-waterbath manually with a bucket of ice (add ice slowly enough to avoid spillage over top of waterbath).