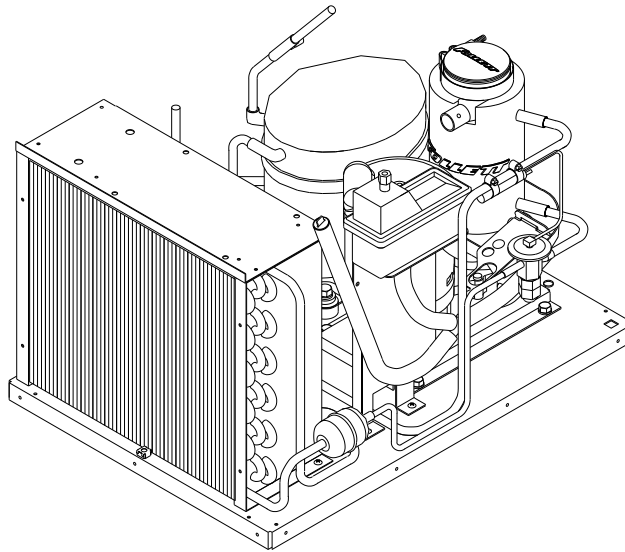


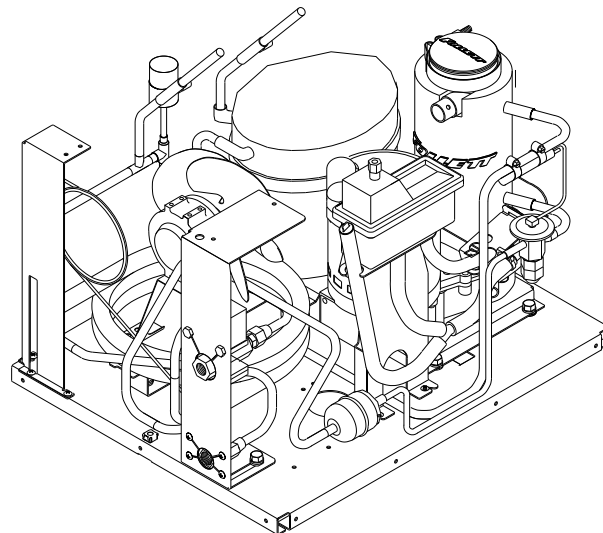
# D400A/W Icemaker

## Installation Manual

Order parts online  
[www.follettice.com](http://www.follettice.com)



**D400A icemaker**



**D400W icemaker**

# Welcome to Follett

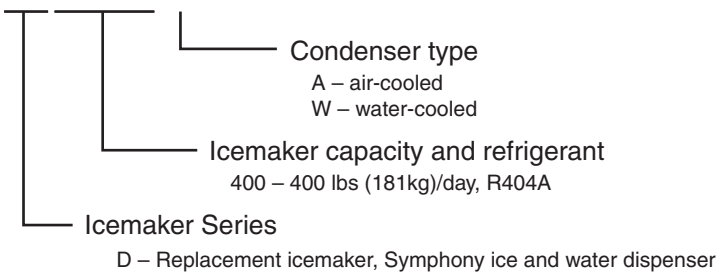
Follett equipment enjoy a well-deserved reputation for excellent performance, long-term reliability and outstanding after-the-sale support. To ensure that this dispenser delivers that same degree of service, we ask that you take a moment to review this manual before beginning the installation of the unit. Our instructions are designed to help you achieve a trouble-free installation. Should you have any questions or require technical help at any point, please call our technical service group at (800) 523-9361 or (610) 252-7301.

## Before you begin

After uncrating and removing all packing material, inspect the equipment for concealed shipping damage. If damage is found, notify the shipper immediately and contact Follett Corporation so that we can help in the filing of a claim, if necessary.

Check your paperwork to determine which model you have. Follett model numbers are designed to provide information about the type and capacity of Follett ice dispensing equipment. Following is an explanation of the different model numbers in the 400 series.

## D400A



## Materials supplied

### For air- and water-cooled

- (1) D400A/W icemaker
- (1) Ice transport tube – 18.5"
- (1) Hose clamp
- (1) Drain tube – 21"
- (1) Fitting – 1/2", elbow°
- (1) Fitting reducer – 5/8" x 1/4"
- (1) Electrical box mounting bracket – F25, F50, F100
- (2) Electrical box mounting brackets – Symphony™
- (1) Drain connection fitting
- (5) Cable ties – medium
- (2) Cable ties – small
- (1) Installation and Operation Manual
- (1) D400A/W Installation Manual
- (1) 2 lead female bin signal connector and wire

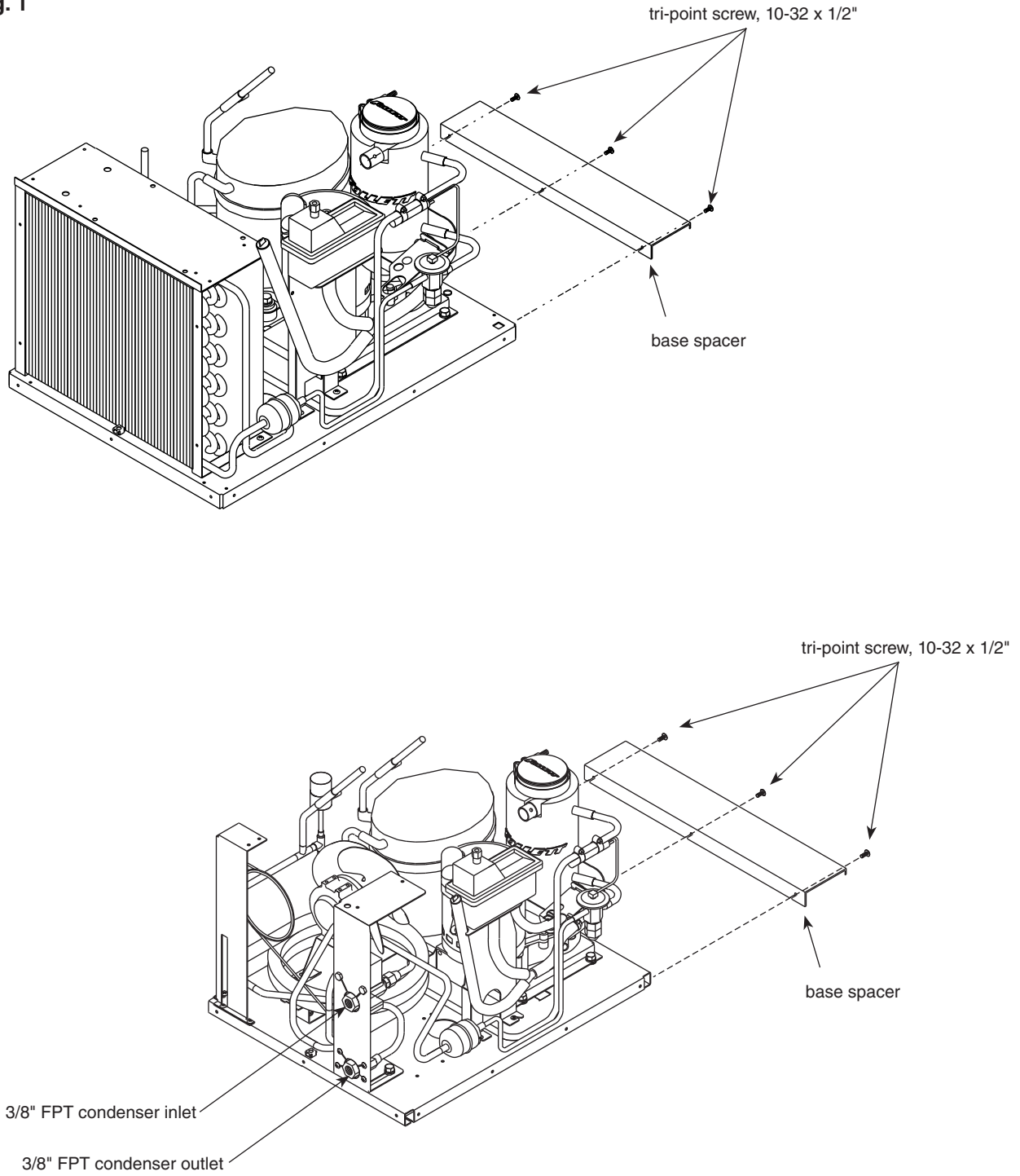
### For water-cooled only

- (2) Fitting – 90°, brass – C25, C50
- (2) Fitting – 90°, plastic – Symphony top mount units

**Note:** This icemaker is intended to be used in all freestanding and top mount applications with the exception of C110T5A/W.

1. If icemaker will be installed in a Symphony series ice dispenser remove base spacer (Fig.1).

**Fig. 1**

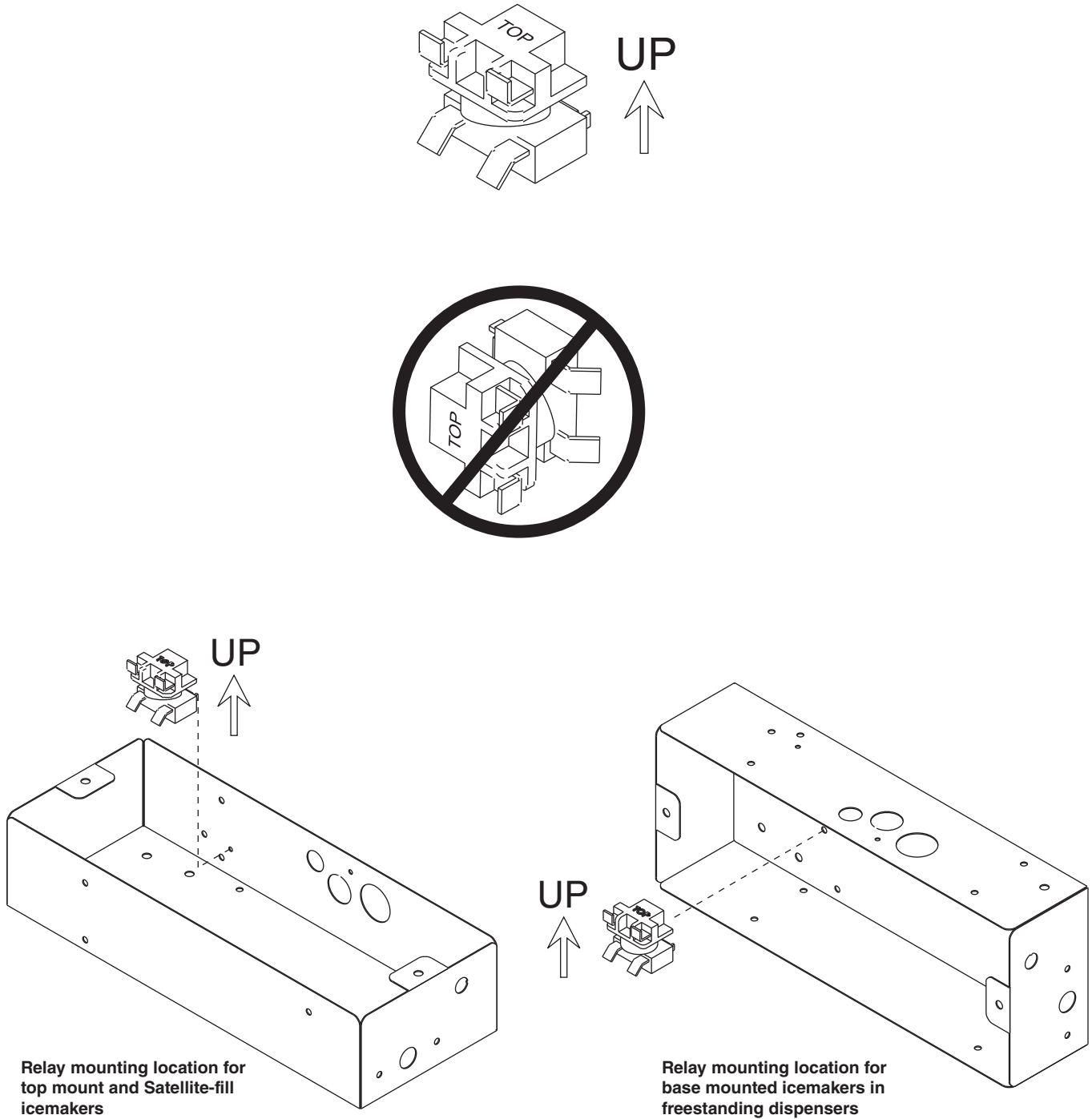


2. Verify correct location and positioning of compressor starting relay (Fig. 2).

**! CAUTION**

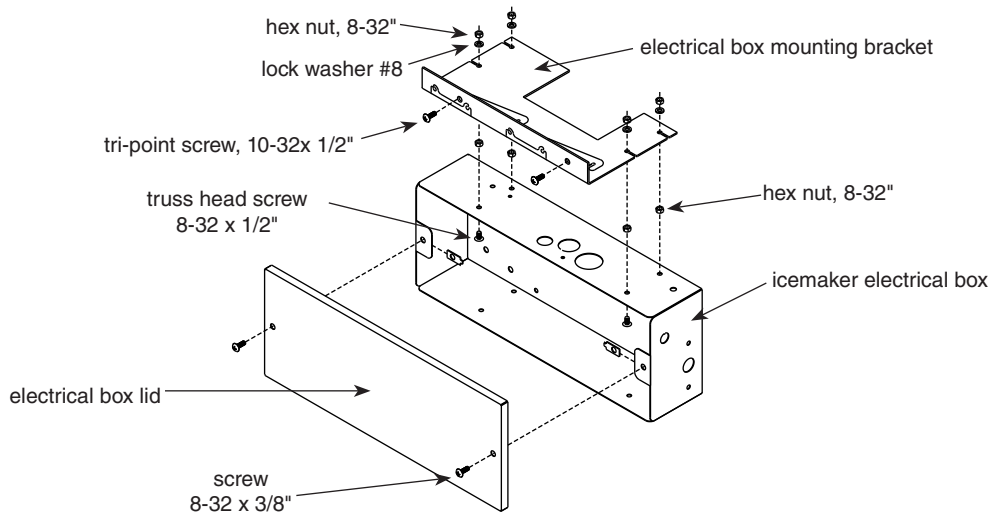
- Check start relay before supplying power
- Start relay is gravity sensitive, and side marked with "TOP" MUST be in "up" position (see drawing below)
- Failure to comply may cause equipment to overheat, resulting in equipment failure, equipment damage or fire hazard

Fig. 2

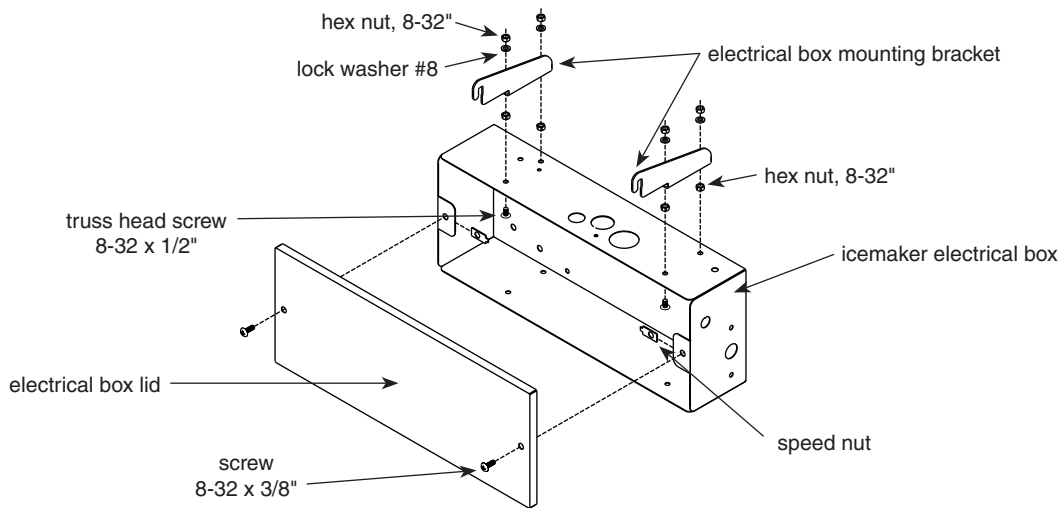


3. Prepare electrical box mounting with supplied hardware to match existing icemaker (Figs. 3, 4, 5, 6).

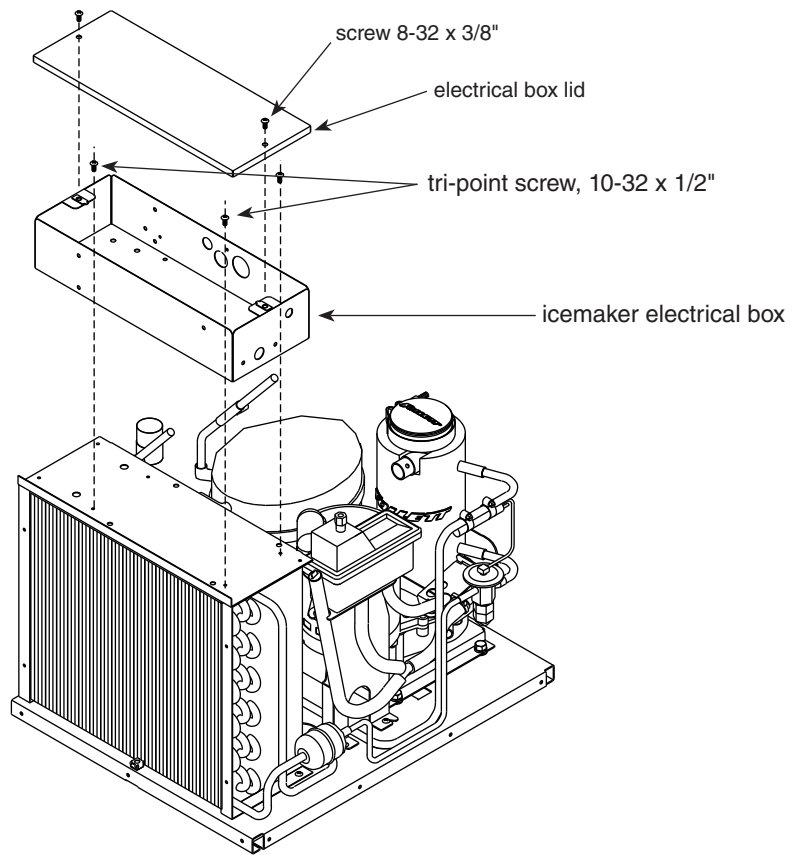
**Fig. 3 – F25, F50, F110 icemaker electrical box mounting (for freestanding dispensers)**



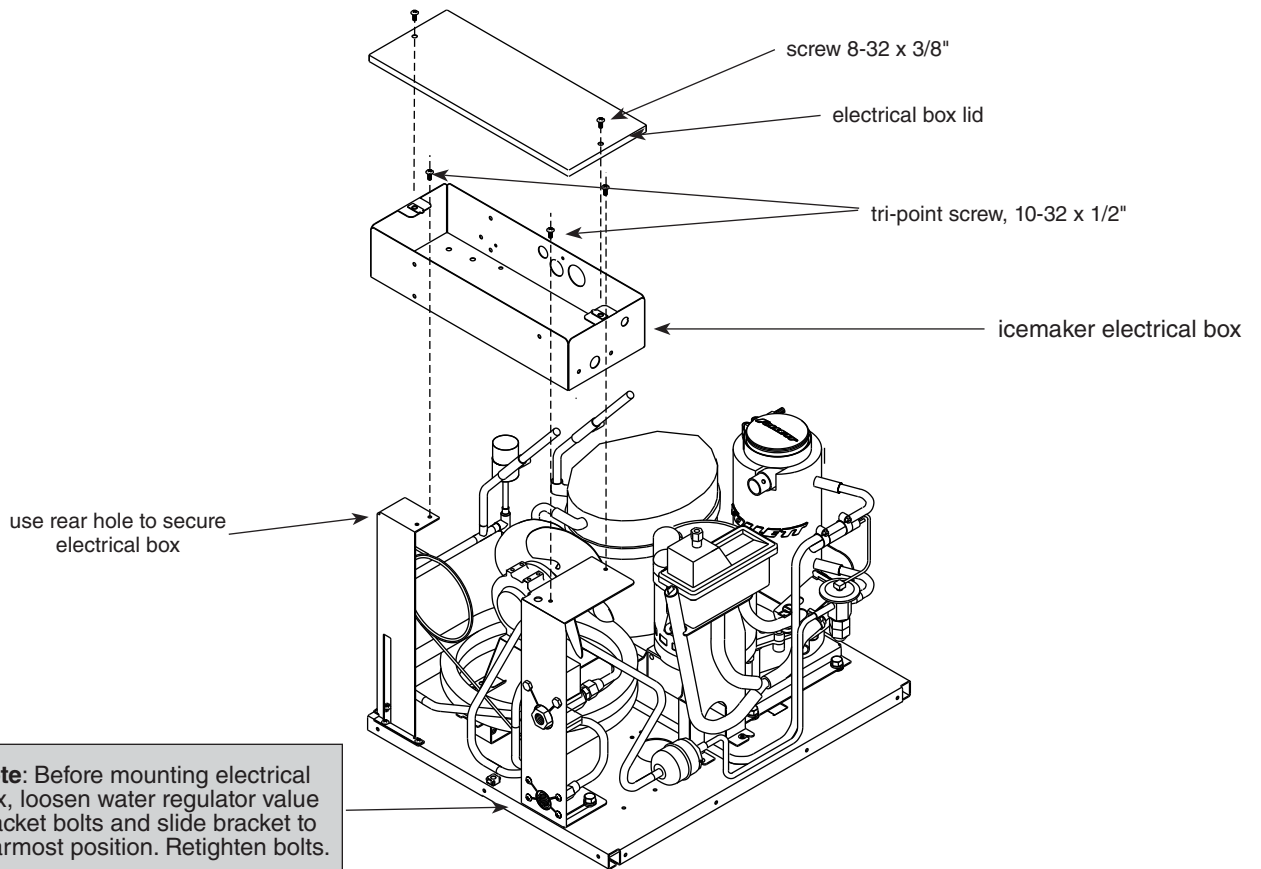
**Fig. 4 – Symphony series 25FB400A/W, 50FB400A/W, 110FB400A/W icemaker electrical box mounting (for Symphony freestanding dispensers)**



**Fig. 5 – Electrical box mounting for top mount air-cooled icemaker**

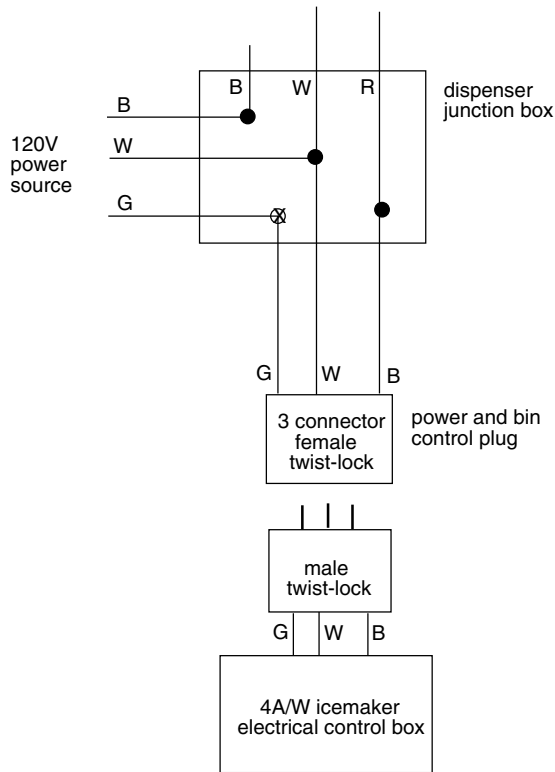


**Fig. 6 – Electrical box mounting for all top mount water-cooled icemakers**

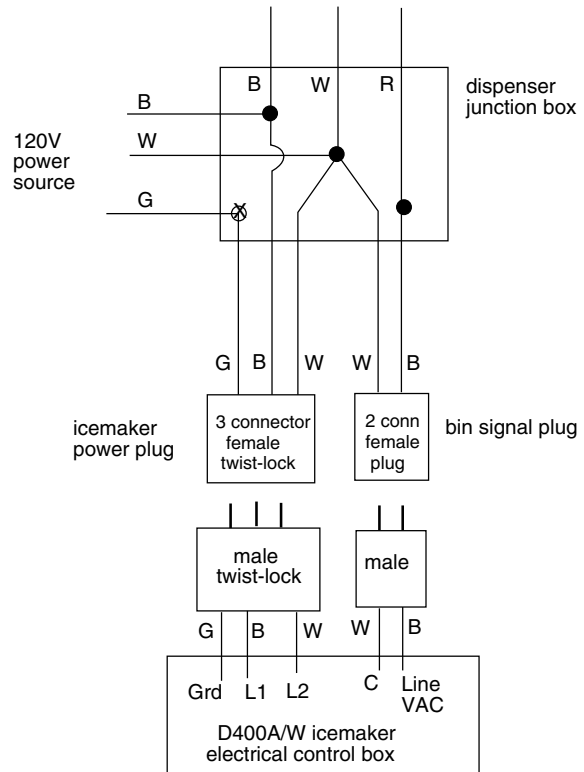


4. If the dispenser has an existing R12 icemaker (D4A/W, K4A/W) with only a power cord connection, the dispensers wiring must be modified as shown with the supplied cord and 2 connector female plug (Figs. 7, 8).

**Fig. 7 – Existing field wiring**



**Fig. 8 – New field wiring required for conversion**



5. **Prepare drain connections.** When installing into a Symphony series dispenser use existing drain plumbing. When installing into a pre-Symphony dispenser the drain plumbing will need to be modified to accommodate the larger diameter nipple of the evaporator drain pan. Proceed as follows:

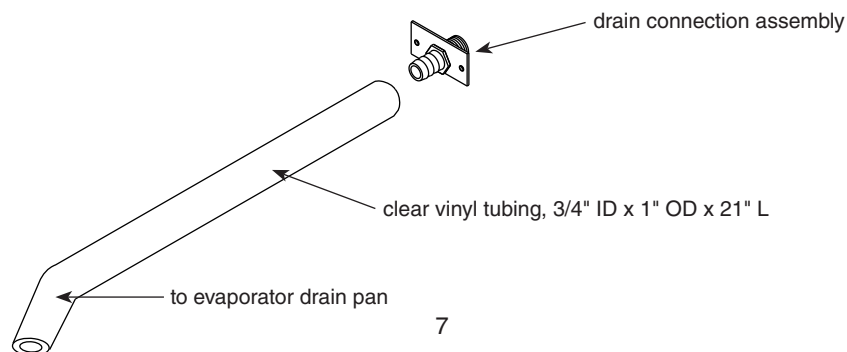
**Top mount**

Follow Fig. 11 to prepare drain assembly. If clogged drain lines are an issue, it is possible to feed larger ID (1/2" (13mm)) tubing through the rear chase.

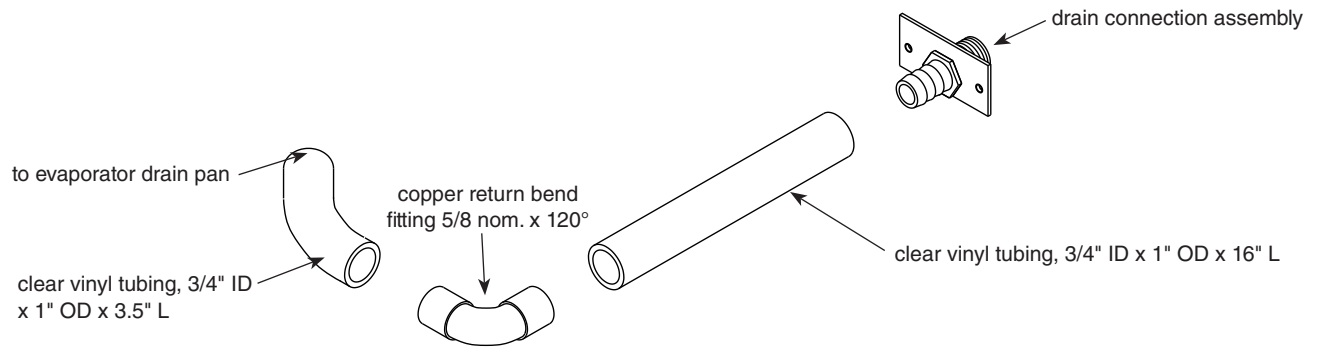
**Freestanding**

1. Remove existing external plumbing.
2. Remove drain connection assembly at rear of dispenser.
3. Install supplied drain connection assembly with larger ID fitting. Some very old dispensers may need to have the exit hole in the dispenser frame enlarged.
4. To benefit from the larger drain size the external drain piping must be increased also.
5. Follow Fig. 9 or Fig. 10 to prepare drain assembly.

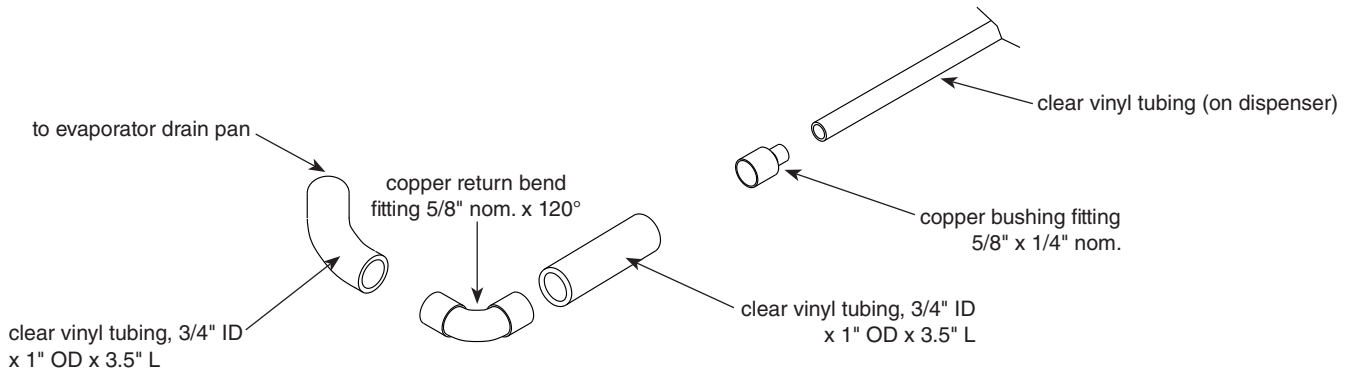
**Fig. 9 – Evaporator drain assembly for F255W, F505W, F1105W**



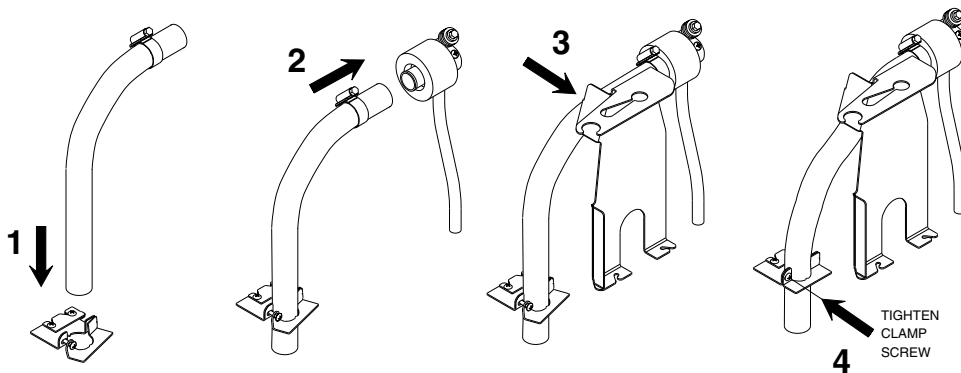
**Fig. 10 – Evaporator drain assembly for F255A, F505A, F1105A**



**Fig. 11 – Evaporator drain assembly for C25T5A/W, H25T5A/W, C50T5A/W, H50T5A/W**



6. Install icemaker into dispenser.
7. Connect drain line to evaporator drain pan.
8. Make ice transport tube connections – for top mount applications. Disconnect the supplied transport tube from the nozzle and follow the 4 steps below. For freestanding applications connect to existing tube and discard supplied tube.
9. Connect water line to float.
10. Make electrical (power & bin signal) twistlock connections.



11. Use supplied cable ties to bundle electrical cables to prevent contact with the fan blade.
12. Restore power and check operation.