

**FZR5-PL** – For freestanding use or installation below standard 36" (915 mm) high counter. 4.2 cu ft (119 L) capacity, stores up to (40) 300 ml plasma packs (in cardboard).



*All-in-one temperature surveillance module*

High performance -30 C plasma freezer with two full-extension stainless drawers. Separate all-in-one temperature surveillance module includes audible/visual alarm, 7-day chart recorder and digital product temperature display. Perfect for smaller storage needs or where space is limited.

### Outstanding temperature performance for safe storage of plasma

- Heavy-duty 1/3 HP compressor, forced-air cooling, digital microprocessor controller and thermal expansion valve (TXV) provide stable temperature, quick temperature pull down and rapid recovery following door openings and defrost cycles
- Meets requirements of AABB, ANRC and FDA
- Factory preset to -35 C
- Temperature terminated automatic defrost ensures product remains below -25 C during entire defrost cycle

### Superior drawer system delivers easy, trouble-free rolling

- Two full-extension stainless drawers store up to (40) 300 ml plasma cardboard packs
- Shielded stainless ball bearing rollers and stainless tracks eliminate binding and uneven wear of loose bearing systems
- Drawers and slides lift out without tools for easy cleaning
- Track/drawer interface minimizes risk of catching tubing in slides

### All-in-one temperature surveillance module provides security for blood supplies

- Audible and/or visual alarm with user-selectable high and low set points
- Chart recorder with easy to read 6" (153 mm), 7-day chart
- Digital product temperature display
- Battery backup for continuous monitoring during power failure
- Power status indicator with visual battery alert
- Touch buttons for chart changes, alarm settings, calibration
- 15' (4.6 m) probe lead with immersible stainless tip
- 6' (1.8 m) power cord and AC adapter
- Dry contacts to connect to remote alarm system
- Surface or wall mount ready

### Quality construction and design details

- Durable, corrosion-resistant stainless interior/exterior
- High density CFC-free foam insulation
- Field reversible door with full magnetic gasket
- Heavy-duty edge mount hinges and positive locking handle
- Front located simulation bottle for easy alarm check

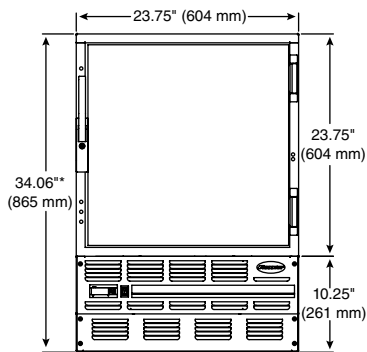
### Options and accessories

- Replacement charts (item #00162099)
- Replacement pens (item #00162081)
- Stacking kit (item# 00926618)
- Pedestal stand (item# 00931154)

JOB: \_\_\_\_\_

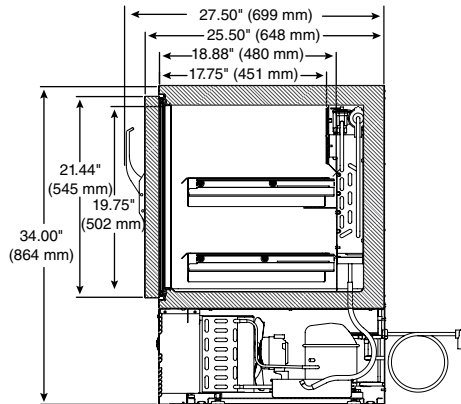
ITEM: \_\_\_\_\_

Front View

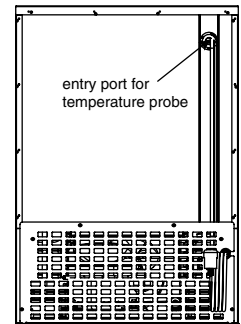


\* Height includes leveling legs

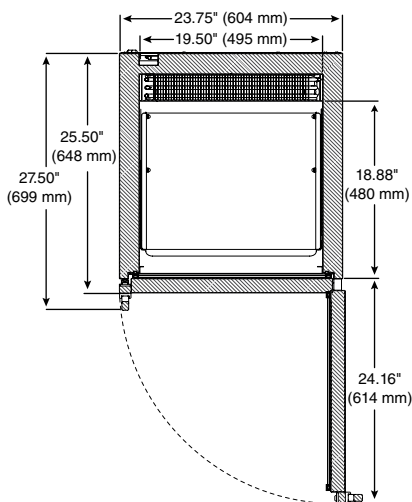
Side View



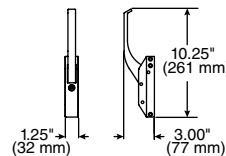
Back View



Top View



Handle Detail



Plug Detail  
NEMA 5-15



**Refrigerant** R404A, 10 oz

**Max. Heat Rejection** 25.2 kBTU/hour/day

**Electrical**

115 V, 60 Hz, 1 ph, 8.0 FLA, maximum fuse – 15 amps. NEMA 5-15 hospital grade cord and plug.

**Drawer dimensions**

Inside dimensions 18" (457 mm) wide x 3" (76 mm) high x 14.5" (368 mm) deep

**Temperature surveillance module**

Overall dimensions 7.5" (191 mm) wide x 7.5" (191 mm) high x 3.55" (90 mm) deep

**Approximate Shipping Weight** 205 lbs (93 kg)

**Specifications** Undercounter plasma freezer model FZR5\_PL to be 34.06" (865 mm) high for use below standard 36" (915 mm) high counters or as stand alone unit and to have 4.2 cu ft (119 L) capacity. Environmentally friendly R404A refrigeration system to include heavy-duty 1/3 HP compressor, blower, blower coil and automatic evaporative forced air cooling with electric temperature-terminated defrost. Freezer to be equipped with separate all-in-one temperature surveillance module, which includes audible/visual alarm, 7-day chart recorder and digital temperature display. Freezer door to be field-reversible and equipped with replaceable gasket and chrome-plated handle with cylinder lock. Freezer interior and exterior to be stainless steel. Two full-extension stainless drawers. Storage area to be insulated with high-density, non-CFC foam polyurethane. Hospital-grade cord and plug provided. Freezer to be UL and cUL listed.

Follett is a registered trademark of Follett Corporation, registered in the US. Follett reserves the right to change specifications at any time without obligation. Certifications may vary depending on country of origin.