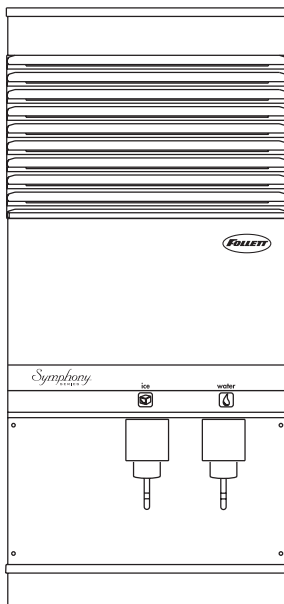


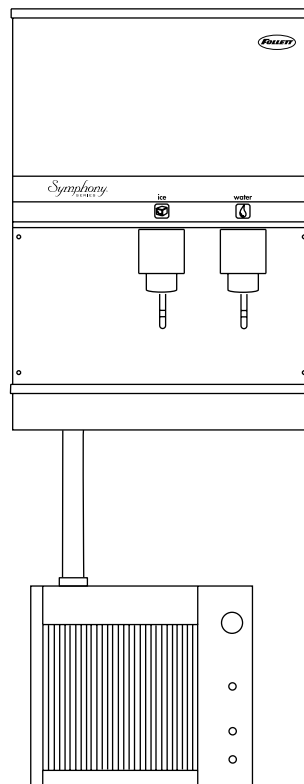
Symphony™ 110 Series Ice and Water Dispensers

Order parts online
www.follettice.com

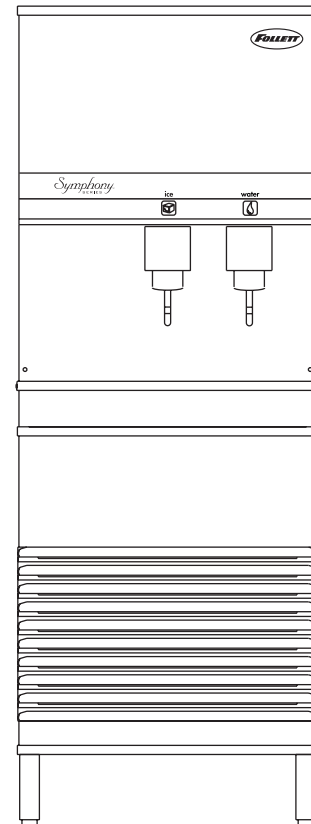
Installation, Operation and Service Manual



110CT400A/W



110CR400A/W



110FB400A/W

**Following installation, please forward this manual
to the appropriate operations person.**

**Follett Corporation
Equipment Return Policy**

Follett equipment may be returned for credit under the following conditions:

1. The equipment is new and unused.
2. A return authorization number has been issued by customer service within 30 days after shipment.
3. Follett receives the equipment at the factory in Easton, PA within 30 days after issuance of the return authorization number.
4. The equipment must be returned in Follett packaging. If the packaging has been damaged or discarded, Follett will forward, at the customer's expense, new packaging.

Note: Return freight charges are the responsibility of the customer. If equipment is returned and is damaged because of improper packaging, Follett Corporation will not be held responsible.

Credit will be issued when:

The equipment has been inspected by Follett and deemed suitable to be returned to stock.

Note: A 15% restocking charge will be deducted from the credit. If the cost to return the product to stock exceeds 15%, the actual cost will be deducted.

Table of contents

Before you begin	4
Specifications	5
Field wiring	6
Installation	8
Installing freestanding dispensers	8
Installing wall mount dispensers	10
Installing Satellite-fill™ icemakers.....	12
Installing top mount icemakers	12
User information	14
Cleaning and sanitizing procedures	14
Service Information	16
Wiring diagram – lever models	16
Wiring diagram – SensorSAFE™ models	17
Dispenser troubleshooting	18
Troubleshooting SensorSAFE board and sensors	19
Disassembly and replacement instructions	20
Thermostat locations	23
Parts	24
Dispenser exterior	24
Dispense chute and splash panel areas – lever models	25
Electrical box – lever models	25
Dispense chute and splash panel areas – SensorSAFE models	26
Electrical box – SensorSAFE models	27
Wheel motor and drive system	27
Hopper components	28
Chilled water components	29
Solenoid dispense assembly.....	30

Welcome to Follett

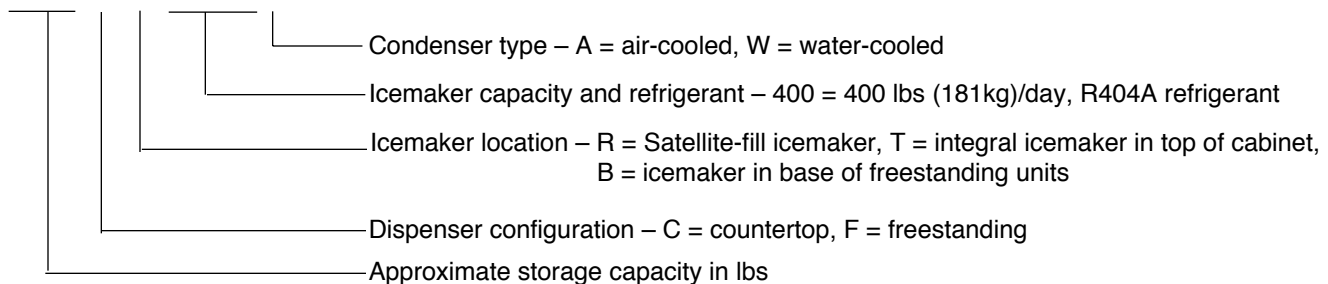
Follett equipment enjoys a well-deserved reputation for excellent performance, long-term reliability and outstanding after-the-sale support. To ensure that this equipment delivers that same degree of service, we ask that you review the installation portion of this manual before beginning to install the unit. Our installation instructions are designed to help you achieve a trouble-free installation. Should you have any questions or require technical help at any time, please call our technical service group toll free at (800) 523-9361 or (610) 252-7301.

Before you begin

After uncrating and removing all packing material, inspect the equipment for concealed shipping damage. If damage is found, notify your shipper immediately and contact Follett Corporation for help in filing a claim, if necessary.

Check your paperwork to determine which model you have. Follett model numbers are designed to provide information about the type and capacity of Follett equipment. Following is an explanation of model numbers:

110CT400A



Important cautions

- Do not tilt any unit further than 30° off vertical during uncrating or installation
- Dispenser bin area contains mechanical, moving parts. Keep hands and arms clear of this area at all times. If access to this area is required, power to unit must be disconnected first.
- Follett recommends a Follett QC4-FL4S water filter system (item# 00130299) be installed in the icemaker inlet water line
- Prior to operation clean and sanitize the dispenser in accordance with instructions found in this manual
- Ice is slippery. Be sure counters and floors around dispenser are clean, dry and free of ice.

Specifications

Electrical

- Models with Satellite-fill icemakers (110CR400A/W)

	Icemaker	Max. fuse	Dispenser	Max. fuse
Basic electrical: 115V/60Hz/1 phase	11.0 amps	20 amps	4.0 amps	20 amps

- Freestanding models and models with integral icemakers (110FB400A/W, 110CT400A/W)

	Total system	Max. fuse
Basic electrical: 115V/60Hz/1 phase	14.0 amps	20 amps

- Dispensers and Satellite-fill icemakers are supplied with 7-foot power cord with NEMA 5-20 hospital grade plug. Connect to 20 amp circuit fuse or breaker.

Note: It is preferred that circuit be protected by a GFCI.

Ambient

Air temp	100° F/38°C max.	50°F/10°C min. (best performance below 80°F/27°C)
Water temp	90°F/32°C max.	40°F/4°C min. (best performance below 70°F/21°C)
Water pressure	70 P.S.I. max.	10 P.S.I. min.

Plumbing

	110CR with Satellite-fill icemaker	110CT with integral icemaker	110FB with icemaker in base
Dispenser drain	3/4" FPT	3/4" FPT	3/4" FPT
Icemaker drain	3/4" MPT	3/4" MPT	3/4" MPT
Dispenser water inlet	3/8" FPT	3/8" FPT	3/8" FPT
Icemaker water inlet	–	3/8" FPT	–
Satellite-fill IM water inlet	3/8" OD push-in	–	–
Cond. inlet – w/c only	3/8" FPT	3/8" FPT	3/8" FPT
Cond. drain – w/c only	3/8" FPT	3/8" FPT	1/2" FPT

Note: Water shut-off recommended within 10 feet (3m) of dispenser. Drain to be hard piped and insulated, and maintain slope of at least 1/4" per foot (6mm per 305mm run) of slope. All plumbing connections must be made in accordance with local building codes.

Ventilation clearances

Countertop models with Satellite-fill icemaker (110CR400A/W) — none. 12" (775mm) at top advised for service.

Countertop models with integral icemaker (110CT400A/W) — 6" (153mm) at top. 6" (153mm) each side advised for service.

Freestanding models (110FB400A/W) — 4" (102mm) at rear. 12" (305mm) at top advised for service.

Field wiring for countertop and wall mount dispensers with Satellite-fill icemakers



All field wiring must be installed in accordance with NEC and local electrical codes. Field wiring diagram is intended only to aid electrician or technician in understanding how equipment works.

Field wiring for countertop and wall mount dispensers with Satellite-fill icemakers



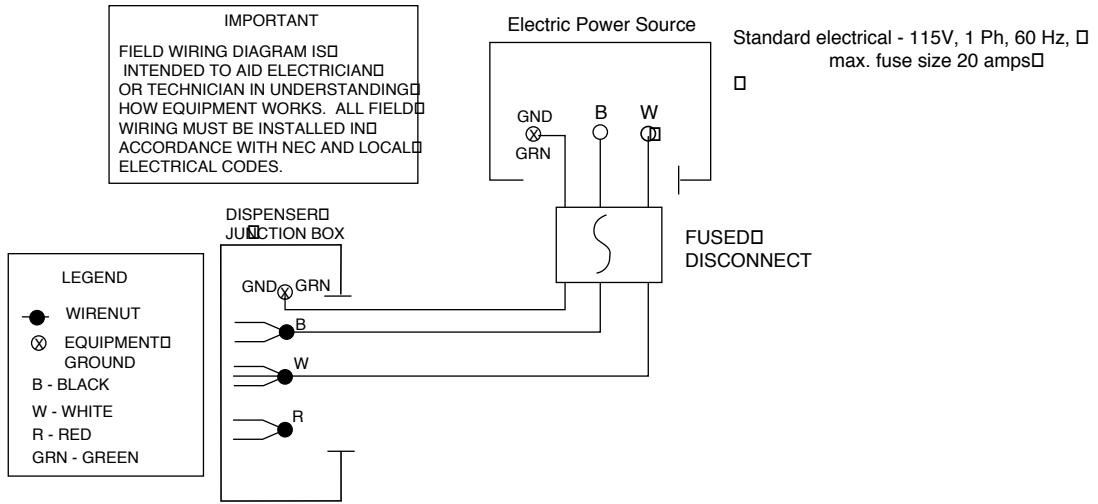
Attention – Should local codes require a hard-wired connection and/or shielded wiring, eliminate the cord and plug(s) and follow the appropriate field wiring diagram on the following page.

See Icemaker Installation and Operation manual for recommended junction box preparation of hard-wired Satellite-fill icemakers.

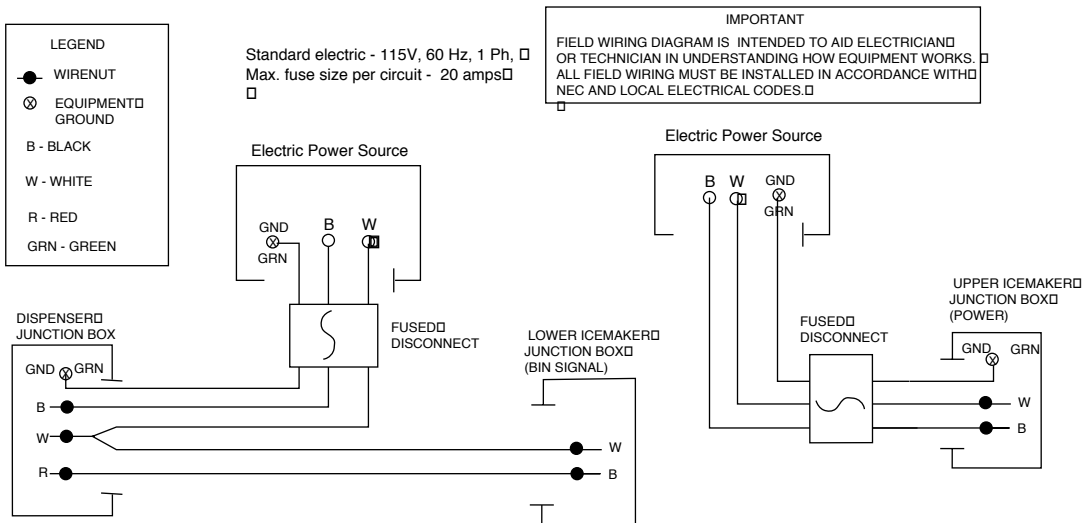
Model	Electrical connection	Circuits required
110FB400A/W	cord & plug provided	115/60/1, 20 amp max. fuse size
110CT400A/W	cord & plug provided	115/60/1, 20 amp max. fuse size
110CR400A/W	cord & plug provided	115/60/1 dispenser: 20 amp max. fuse size ice maker: 20 amp max. fuse size

Field wiring diagrams

Freestanding dispensers and countertop dispensers with integral icemakers



Countertop dispensers with Satellite-fill icemakers



Installation procedures

Before you begin

- **All dispensers must be installed level in both directions to ensure proper operation**
- **Required ventilation and recommended service clearances:**
 - Countertop models with Satellite-fill icemaker (110CR400A/W) — none. 12" (305mm) at top recommended for service.
 - Countertop models with integral icemaker (110CT400A/W) — 6" (153mm) at top. 6"(153mm) each side recommended for service.
 - Freestanding models (110FB400A/W) — 4" (102mm) at rear. 12" (305mm) at top recommended for service.
- **All countertop dispensers provide the option of taking utilities out the bottom or back of the dispenser.** See counter cutout on page 10 (Fig. 2) for bottom exiting utilities on units with and without drain pans. For installations where utilities will exit through back of dispenser, refer to back view drawings.
- **SensorSAFE™ dispensers are shipped with a plastic, protective film on sensor lenses. For proper operation, plastic film must be removed after installation.**

Installing freestanding dispensers

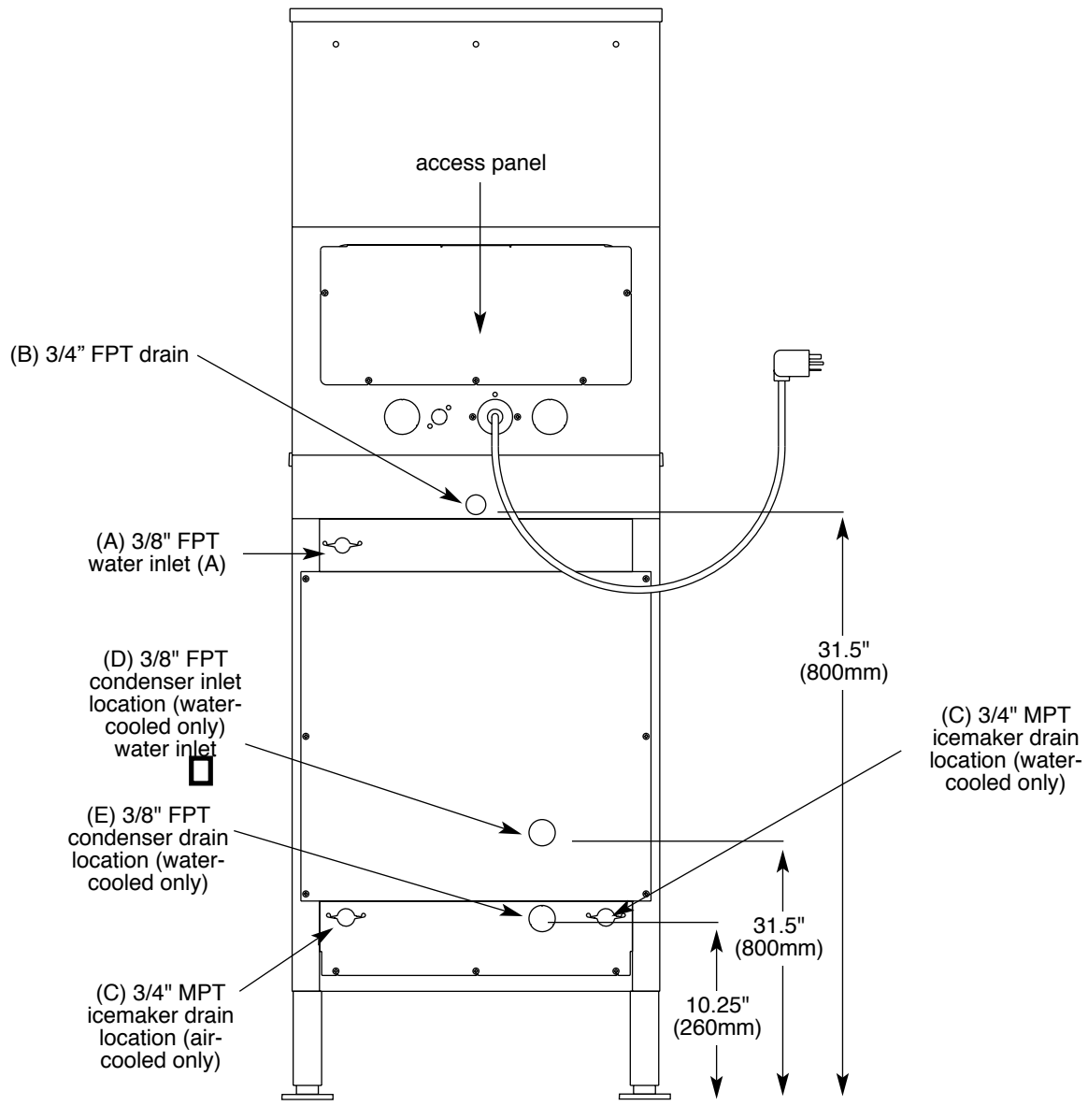
1. Carefully tip dispenser back to expose underside and block up in place.



Do not tilt unit further than 30° off vertical.


2. Remove legs from shipping box (taped to drain pan of dispenser) and screw into dispenser bottom, taking care to seat legs securely against underside of dispenser.
3. Position dispenser in desired location and adjust legs to level in both directions.
4. Connect water supply to 3/8" FPT fitting on back of dispenser (Fig. 1A).
5. Remove 3/4" dispenser drain line plug from back of unit and discard. Connect separate drain lines to 3/4" FPT dispenser drain fitting and 3/4" MPT icemaker drain fitting on back of dispenser (Fig. 1B and 1C.)
6. Run drain lines to wall or floor drain. Provide an air break between the drain lines and drain. If icemaker drain fitting is below an intended wall drain, a condensate pump must be used.
7. If icemaker is water-cooled, connect water-cooled condenser supply line to 3/8" FPT condenser inlet fitting on back of dispenser (Fig. 1D).
Note: Do not run condenser supply water through icemaker water filter system.
8. Connect condenser drain line to 3/8" FPT condenser outlet fitting on back of dispenser (Fig. 1E).
Important: Do not connect condenser drain line to any other drain lines.
9. Plug dispenser into 20 amp rated NEMA 5-20 wall socket.
10. Remove front cover of base section by removing two screws at bottom corners of cover. Allow cover to drop approximately 3/8" (5mm) and pull forward.
11. Turn on water supply and check that water level in float reservoir (when full) is within 1/4" (6mm) of mark on side of reservoir and that float moves freely. Check for leaks.

Fig. 1 – Rear connections, freestanding models



12. Verify that water sensor tabs are immersed in water in reservoir.
13. Remove top front cover by removing two screws at bottom corners of cover. Lift cover slightly and pull forward.
14. If dispenser is equipped with SensorSAFE, remove protective plastic coating from dispense sensor labels.
15. Turn on dispenser power and bin signal rocker switches. Check dispenser and icemaker operation.
16. Sanitize icemaker according to instructions in icemaker manual. Discard sanitized ice.
17. Turn off icemaker bin signal switch.
18. Remove dispenser hopper lid; clean and sanitize dispenser according to instructions beginning on page 14.
19. Turn icemaker bin signal switch on and replace front covers, securing with screws.

Installing countertop dispensers

 **Dispensers with top mount icemakers cannot be mounted on legs. They must be bolted to counter. Use gloves when lifting icemaker to protect hands from sheet metal edges.**

1. Position dispenser in desired location, mark dispenser outline on counter and remove dispenser.
2. Drill four 3/8" (5mm) holes in counter (Fig. 2) to anchor dispenser to counter.

Follett countertop dispensers can have any or all utilities run directly through counter or out rear of dispenser. For dispensers with any utilities exiting through counter, make counter cut-out as shown in Fig. 2.

3. If ice transport tube will exit out rear of dispenser, remove ice transport tube knock-out (Fig. 5G) from rear of dispenser.

Note: Utility connections can be accessed through front of dispenser by removing stainless steel splash panel on front of dispenser, or by removing access panel (Figs. 4, 5) on back of dispenser.

4. If any electric utilities or water line will be connected through rear of dispenser, remove utility knock-out (Fig. 5H) from rear of dispenser and install supplied protective grommet.
 5. If power is to be supplied through counter cut-out, complete steps 6-9. If power is to be supplied through rear of dispenser, proceed to step 10.
 6. Temporarily remove rear access panel (Figs. 4, 5) from rear of dispenser.
 7. Loosen junction box mounting screws. Lift junction box and power cord up until cord and mounting screws clear notches on rear panel of dispenser. Remove Phillips head screws from right side of junction box.
 8. Rotate junction box 90 degrees so that screw holes on right side of junction box align with holes on rear dispenser panel. Resecure junction box to dispenser using Phillips head screws.
 9. Place power cord inside dispenser and replace access panel (Figs. 4 and 5) on rear of dispenser.
- Note:** For dispensers installed with utilities connected through rear of dispenser, it may be easier to make preliminary connections before dispenser is set in place.

Fig. 2 – Counter cut-out, all models

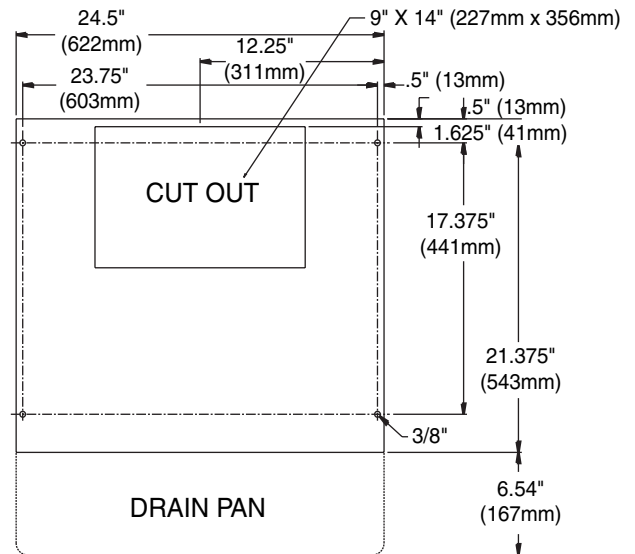
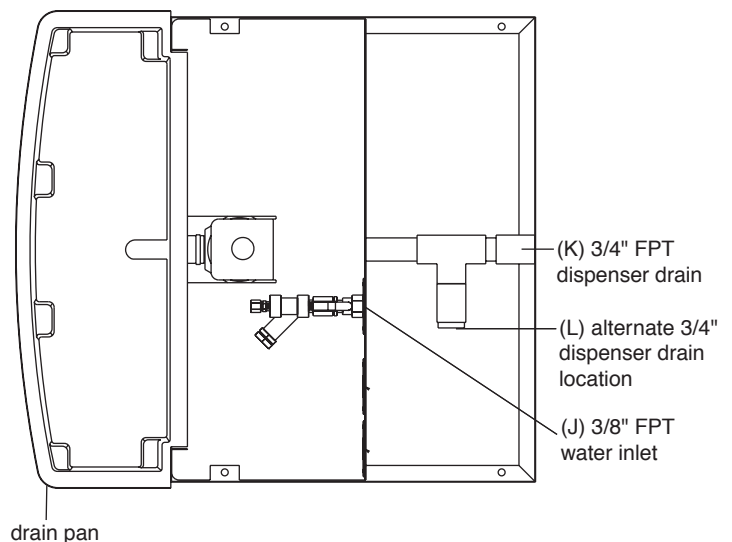


Fig. 3 – Top view, dispenser plumbing connections countertop and wall mount units with drain pan



10. Apply a thick bead, approximately 1/4" (6mm) diameter, of NSF listed silicone sealant (Dow-Corning RTV-732 or equivalent) 1/4" (6mm) inside marked outline of dispenser.
11. Carefully position dispenser on counter.
12. Remove four screws securing splash panel to front of dispenser and gently lay splash panel on counter. (Water line to solenoid valve can be disconnected from water inlet valve by pushing on ring at end of inlet fitting while pulling on tubing.)
13. Secure dispenser to counter with four 3/8" bolts (supplied by others).
14. Smooth excess sealant around outside of dispenser.
15. Run water supply line from back of dispenser through utility knock-out (Figs. 4, 5) or up through counter cut-out. Connect water supply line to 3/8" FPT, (Fig. 3J) fitting on utility flange at bottom of dispenser.
16. Remove 3/4" drain connection plug from either fitting at rear of dispenser, (Fig. 1K) or internal fitting, (Fig. 3L), as appropriate. Connect and run a dedicated drain line to wall or floor drain. An air break should be provided.

If dispenser is equipped with a top mount, water-cooled icemaker complete steps 17 through 20. If equipped with a top mount, air-cooled icemaker proceed to step 21.

17. Connect icemaker water supply line to 3/8" FPT water inlet, (Fig. 4M).
 18. Connect icemaker drain line to 3/4" MPT drain connection (Fig. 4N).
 19. If icemaker is water-cooled, connect water-cooled condenser supply line to 3/8" FPT condenser fitting on back of dispenser (Fig. 4R).
- Note:** Do not run condenser supply water through icemaker water filter system.
20. Connect condenser drain line to 3/8" FPT fitting on back of dispenser (Fig. 4P).
- Important:** Do not connect condenser drain line to any other drain lines.
21. Proceed with either Satellite-fill or top-mounted icemaker connection instructions, as appropriate.

Fig. 4 – Rear connections, countertop models with integral icemakers

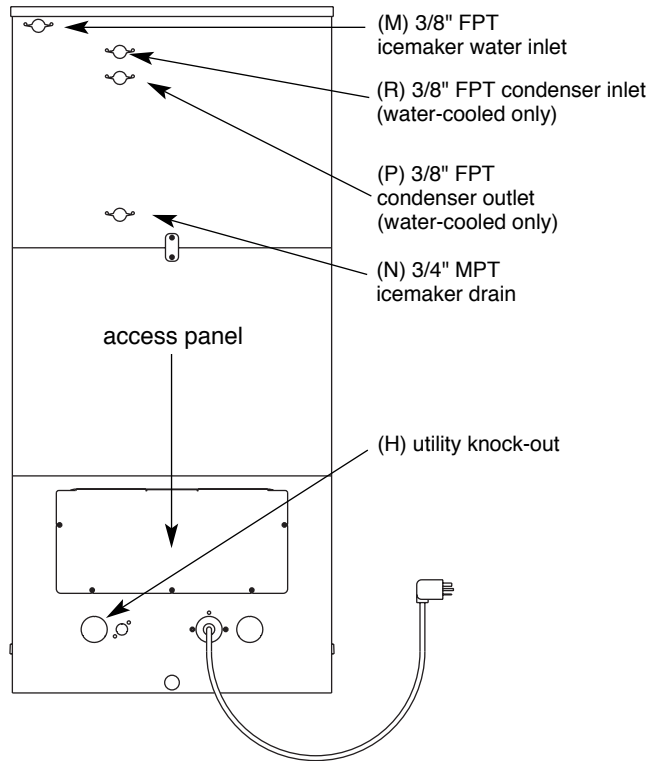
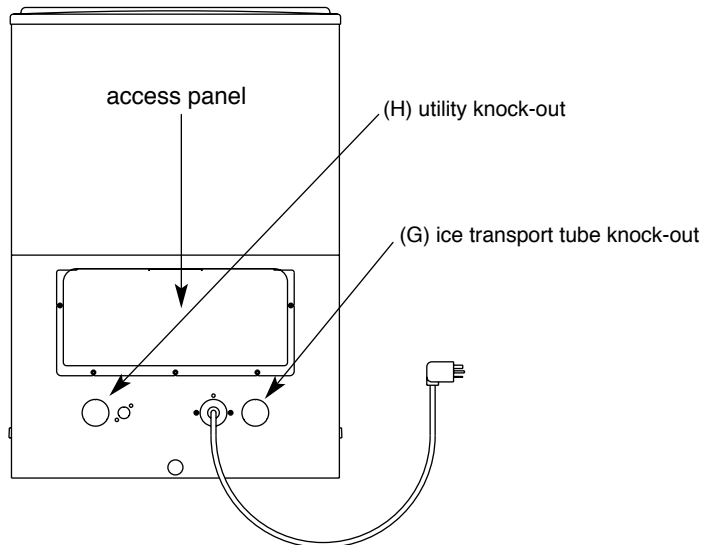


Fig. 5 – Rear connections, countertop models with Satellite-fill icemakers



Installing Satellite-fill icemakers

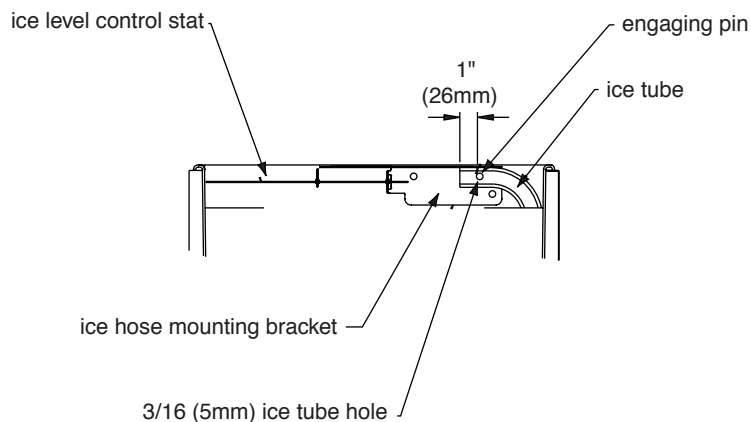
Models 110CR400A/W



See Icemaker Installation Manual (form #208600) for critical installation instructions for remote icemakers. Failure to comply with these instructions will result in poor performance and void warranty.

1. Install Satellite-fill icemaker following instructions in icemaker manual.
2. Run uninsulated ice transport tube from dispenser through ice transport tube knock-out, (Fig. 5G) or through counter opening to icemaker.
3. Insulate ice transport tube by sliding insulation over tube.
4. Adjust insulation to cover all exposed ice transport tubing including tubing inside dispenser cabinet.
5. Check that insulated ice transport tube runs continuously uphill (with no dips) from icemaker to dispenser.
6. Run bin signal wire from dispenser through utility knockout, (Fig. 5F) or counter cutout to the icemaker and connect bin signal wire (two-conductor twist lock) to bin signal plug on icemaker.
7. Plug dispenser power cord into 20 amp rated NEMA 5-20 wall socket.
8. Turn on dispenser water supply and check for leaks. Replace splash panel.
9. Remove top front cover by removing two screws at bottom corners of cover. Lift cover slightly and pull forward. Turn on power and bin signal rocker switches. Replace front cover and secure with screws. Test operation.
10. Clean and sanitize icemaker following instructions in icemaker manual. Discard sanitized ice.
11. Clean and sanitize dispenser hopper following instructions on page 14. Installation is complete.

Fig. 6 – Ice transport tube and ice level control stat mounting for freestanding dispensers and countertop units with Satellite-fill icemaker



Installing top mount icemakers

Models 110CT400A/W

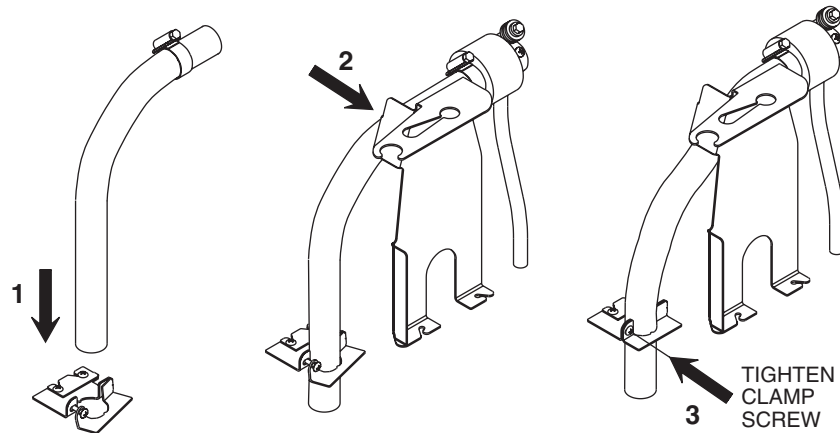


Dispensers with top mount icemakers cannot be mounted on legs. They must be bolted to counter. Use gloves when lifting icemaker to protect hands from sheet metal edges.

1. Remove dispenser top front cover by removing two screws at bottom corners of cover, lifting cover slightly and pulling forward.

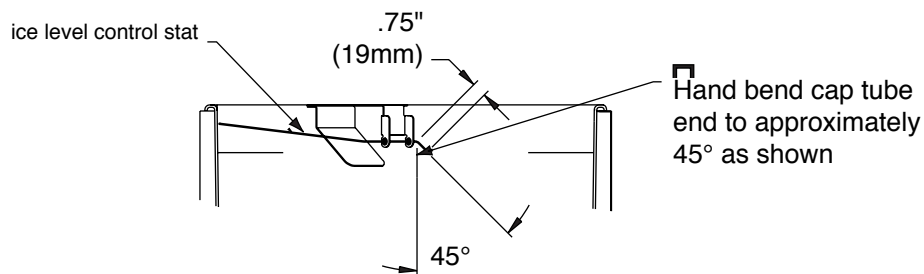
2. Remove dispenser top front cover by removing two screws at bottom corners of cover, lifting cover slightly and pulling forward.
3. Remove icemaker compartment top and side panels.
4. Remove icemaker hold-down bracket from front of icemaker compartment.
5. Lift icemaker onto dispenser top and slide icemaker completely into position, compressor end first. Front of icemaker base must be flush with front of dispenser.
6. Reinstall hold down bracket on front of icemaker with power cord and bin signal cords in notch. Do not cut or pinch cords.
7. Insert loose end of ice transport tube through bracket (on icemaker base) into hopper access hole. Be sure that transport tube is secured under retainer on float reservoir bracket (Step 2, Fig. 7). Tighten transport tube clamp screw to secure ice transport tube.
8. Connect plastic water supply line to fitting at top of float reservoir.

Fig. 7 – Ice transport tube



9. Connect vinyl drain line from dispenser securely to drain line on icemaker.
10. Connect icemaker two-lead bin signal twist lock plug, and three-lead power twist-lock plug, to dispenser twist-lock connectors.
11. On dispensers equipped with water-cooled icemakers, connect condenser water supply and drain lines to condenser fittings on icemaker.
12. Turn on water supply and check that water level in float reservoir (when full) is within 1/4" (6mm) of mark on side of reservoir and that float moves freely.
13. Verify that water sensor tabs are immersed in water in reservoir. Check for leaks. Replace splash panel.
14. Plug dispenser power cord into 20 amp rated NEMA 5-20 wall socket.
15. If dispenser is equipped with SensorSAFE remove protective plastic coating from dispense sensor labels.
16. Turn on power and bin signal rocker switches and test operation.
17. Clean and sanitize icemaker following instructions in icemaker manual.
18. Remove dispenser hopper access lid and clean and sanitize dispenser according to instructions on page 14.
19. Replace front cover and secure with screws. Installation is complete.

Fig. 8 – Ice transport tube and ice level control stat mounting for units with top-mounted icemakers



User information

How the dispenser works

Follett's 110 series automatic load ice and water dispensers receive ice from Follett's 400 lb (181kg)/day icemaker located in the dispenser base, in the cabinet top or in a remote location up to 20 ft (6m) away. Ice produced is stored in the bin section of the dispenser. When dispensing is activated, the wheel motor is energized, causing the wheel to turn. This moves ice to the dispense chute where it drops by gravity into the container held below the chute.

In Follett's continuous icemaking process, water freezes to the inside walls of the stainless steel evaporator. A rotating stainless steel auger carries the ice to the top of the evaporator where it is compressed and extruded through a nozzle on the outlet port. The ice is then pushed through a tube to the dispenser bin. When the storage area is full, a bin thermostat opens and shuts the icemaker off to avoid over-filling of the bin. The icemaker will restart after 20 minutes if the bin is calling for ice.

How the SensorSAFE accessory works

Follett's SensorSAFE accessory maximizes sanitation and minimizes the possibility of cross-contamination by eliminating physical contact between the cup or container and dispenser. Sensors in the panel use reflected infrared light to detect the presence of the container and send a signal to a control board which then activates the appropriate components for ice or water dispensing.

The SensorSAFE package includes a cleaning switch under the left side of the front cover which temporarily shuts off dispensing to allow cleaning of the panel and lenses. If the switch is not turned back on after cleaning, the dispenser automatically resets after two minutes for normal operation.

SensorSAFE also includes a time limit safety feature which automatically stops ice dispensing after one minute of continuous dispensing. Dispensing can be resumed by moving the container away from the dispenser and returning it to the activation zone.

How the chilled water accessory works

Follett's chilled water accessory uses ice from the dispenser's storage hopper to chill incoming water supplied to the water station. The water chiller assembly is located in the dispenser cabinet under the storage hopper. As ice is dispensed, it is automatically fed into the water chiller assembly to chill the water coil inside the assembly.

Cleaning and sanitizing procedures



Always disconnect power before cleaning.

- Solution A:** Prepare cleaning solution (200 ppm of available chlorine content) of Ecolab Mikro-chlor Cleaner or equal chlorinated detergent. Solution temperature must be 75°F – 125°F (24°C – 52°C).
- Solution B:** Prepare sanitizing solution (50 ppm of available chlorine content) of Ecolab Mikro-chlor Cleaner or equal chlorinated detergent. Solution temperature must be 75°F – 125°F (24°C – 52°C).

Follett recommends the periodic cleaning schedule on page 15 to ensure the quality of ice provided. Use only recommended cleaning solutions. Do not use solvents, abrasive cleaners, metal scrapers or sharp objects.

Recommended daily cleaning of drain pan

1. Remove all debris from drain pan.
2. Slowly pour 1 gallon (4L) hot water into drain pan to keep drain lines clear.

Recommended weekly cleaning

1. Wash drain pan and grille with Solution A above. Rinse thoroughly.
2. Slowly pour solution of one cup (8 oz/237ml) household bleach mixed with one gallon (3.8L) hot water into drain pan to help prevent algae growth in drain lines.

If dispenser is a SensorSAFE unit:

3. Deactivate dispenser by depressing and releasing clean switch located on left side of unit under top front cover.
4. Clean lens using soft cloth and mild, non-abrasive cleaner.
5. Reactivate dispenser by depressing and releasing clean switch a second time (dispenser automatically reactivates after two minutes).

Recommended quarterly cleaning of dispenser hopper

Note: If icemaker and dispenser are cleaned and sanitized at the same time, icemaker should be completed first.

1. Remove ice from dispenser.
2. Working inside storage area, remove center thumbscrew from dispense wheel, tilt wheel up toward back to clear baffle and lift wheel out.
3. Remove front cover, chute cover and clear plastic chute.
4. Wipe lid, wheel, baffle, inside of storage area and clear plastic chute with damp cloth wrung out in Solution A.
5. Rinse all above items with damp cloth rinsed and wrung out in clear water.
6. Wipe all bin surfaces with Solution A .
7. Rinse thoroughly with clear, potable water.
8. Wipe with Solution B to sanitize.
9. Reinstall dispense wheel and other components.



To avoid possible damage to motor assembly, use a damp cloth only. Do not allow water to run through center hole in bottom of bin area.

If dispenser is equipped with chilled water accessory:

1. Remove four screws securing splash panel.
2. Disconnect 3/4" drain line from bottom of chilled water canister.
3. Loosen (do not remove) screw securing right bracket of chilled water canister to bottom of dispenser hopper.
4. Rotate canister clockwise to release front bracket, then slide canister to right to disengage left bracket.
5. Remove chilled water coil from canister and clean with cloth wrung out in Solution A.
6. Wipe inside of chilled water canister with cloth wrung out in Solution A.
7. Rinse all above items with damp cloth wrung out in clear water.
8. Sanitize all above items with damp cloth wrung out in Solution B. Do not rinse.
9. Reinstall chilled water coil into canister (rubber alignment grommet on coil tubing must be located outside chilled water canister to hold coil securely against canister wall).
10. Reinstall chilled water assembly on dispenser and tighten screw securing right bracket.
11. Reconnect 3/4" drain line to chilled water canister.
12. Reinstall splash panel and top front cover.
13. Restore power and test operation.

Quarterly cleaning of icemaker system

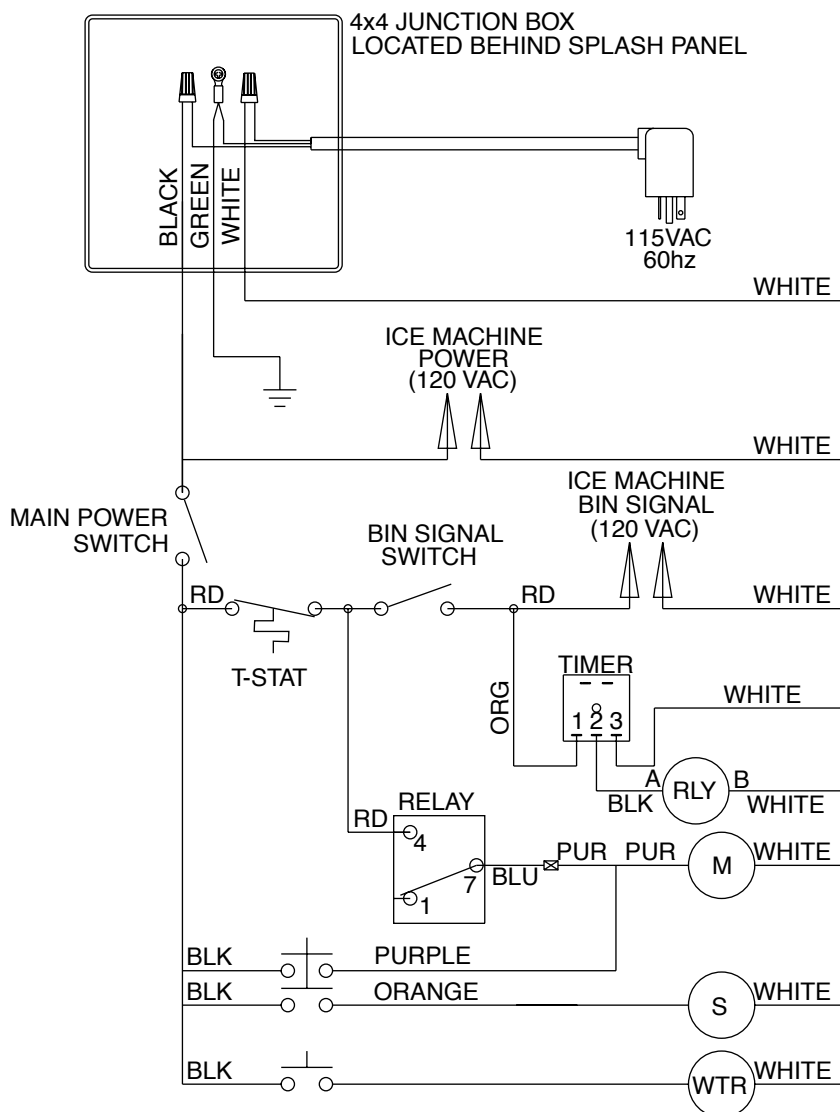
Units with icemakers require icemaker cleaning at least every 3 months, and more often if local water conditions dictate. Failure to clean icemaker will result in decreased performance and potential damage to icemaker. Refer to Icemaker Operation and Service Manual for specific cleaning instructions.

Service information

Wiring diagrams

How unit works — lever models

The dispense wheel motor and dispense solenoid are energized through the power and ice dispense switches. The water solenoid valve is energized through the power and water dispense switches. The icemaker receives the bin signal through the power switch, the normally closed bin thermostat and the icemaker switch. When the bin level thermostat is calling for ice, a 115v bin signal is applied to the bin signal terminals on the icemaker circuit board. When ice builds up around the bin thermostat, the contacts open, cutting the bin signal to the icemaker.

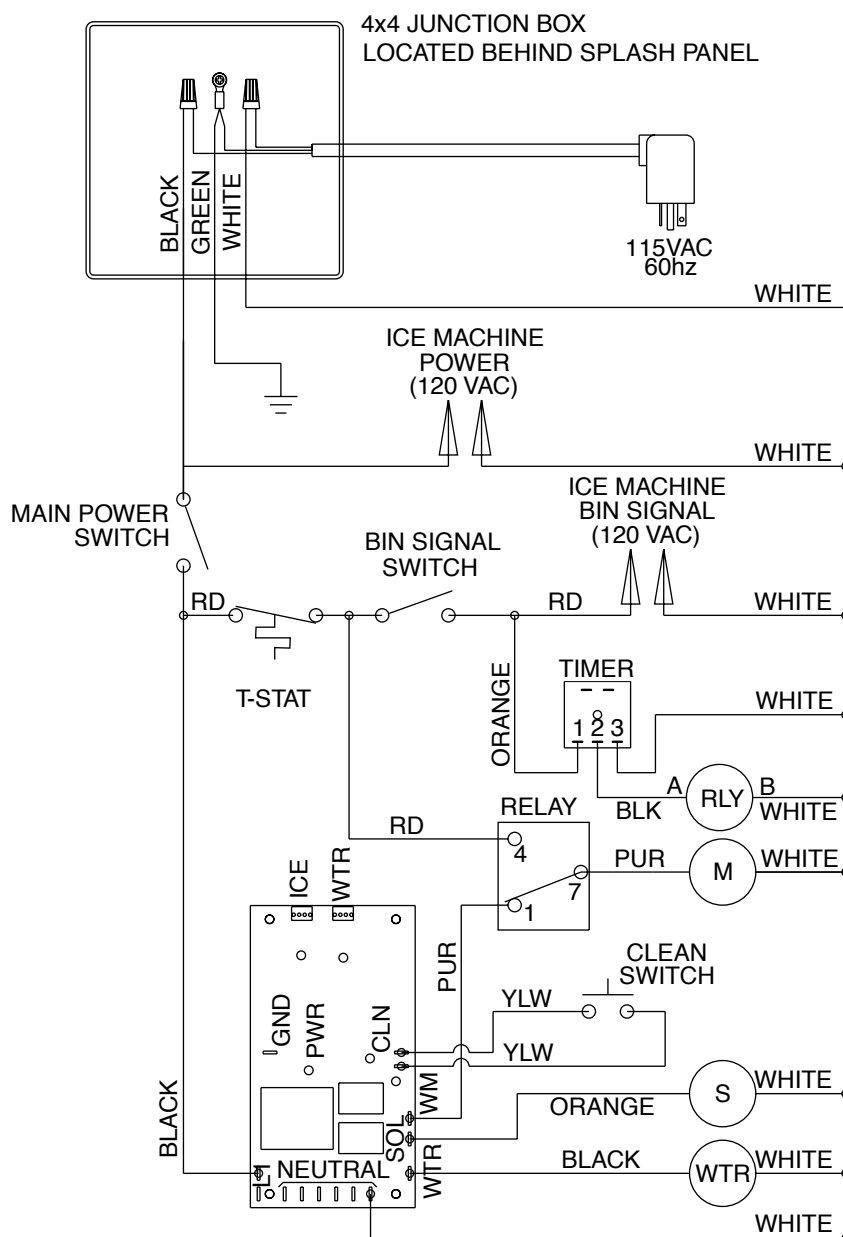


How unit works — SensorSAFE models

SensorSAFE models provide “touchless” ice and water dispensing. When a container is placed within the actuation zone below the ice or water chute on SensorSAFE dispenser models, an infra-red signal reflects off the container and is detected by the sensor. The sensor then sends a signal to the control board to activate the appropriate components to dispense ice or water. LEDs on the board indicate when the board is receiving a signal from the sensors.

A safety, shut-off feature automatically shuts off dispensing after one minute of continuous activation. Dispensing can be restarted by moving the container away and then returning it to the actuation zone.

Dispensing can be temporarily suspended for cleaning by depressing and releasing the clean switch, located under the left side of the top front cover. Depressing and releasing the button a second time will return the dispenser to normal operating state. If the clean switch is not depressed a second time, the dispenser will automatically resume normal dispense operation (CLN LED goes out) after two minutes. An LED on the control board will light to indicate that the dispensing has been suspended by activation of the clean switch.



Dispenser troubleshooting



Disconnect power to dispenser and icemaker before putting hands or arms in storage area, or attempting any repair or service to equipment.

Before calling for service:

- Check that there is ice in dispenser bin area
- Check that congealed cubes are not causing a jam
- Check that all switches and circuit breakers are on
- Check that all drains are clear

Symptom	Possible cause	Solution
1. Does not dispense ice	<ul style="list-style-type: none"> a. Faulty dispense gate b. Faulty dispense solenoid c. Power switch off or faulty d. Faulty dispense switch e. Wheel motor malfunction f. Drive chain off g. Sprocket key missing 	<ul style="list-style-type: none"> a. Replace dispense gate b. Replace dispense solenoid c. Check switch; turn on or replace if faulty d. Replace switch e. Check motor and replace as required f. Reinstall chain g. Install key and tighten sprocket
2. Does not dispense water	<ul style="list-style-type: none"> a. Dispense switch faulty b. Faulty water solenoid c. Solenoid plugged by debris 	<ul style="list-style-type: none"> a. Check switch and replace if faulty b. Check solenoid and replace if faulty c. Remove and clean valve
3. Water runs continuously	<ul style="list-style-type: none"> a. Dispense switch contacts burned shut b. Debris preventing valve from closing 	<ul style="list-style-type: none"> a. Check switch and replace if faulty b. Remove and clean valve
4. Dispense wheel rotates continuously	<ul style="list-style-type: none"> a. Dispense switch contacts burned shut b. Faulty level fill timer c. Faulty level fill relay 	<ul style="list-style-type: none"> a. Replace dispense switch b. Replace level fill timer c. Replace level fill relay
5. Icemaker runs continuously	<ul style="list-style-type: none"> a. Faulty or incorrectly positioned bin thermostat b. Incorrect field wiring 	<ul style="list-style-type: none"> a. Check for proper positioning (middle of adjustment range); if thermostat does not open when ice is placed on capillary tube, replace thermostat b. Check that icemaker receives bin signal from dispenser
6. Ice dispenses by itself	<ul style="list-style-type: none"> a. Faulty dispense gate b. Faulty dispense solenoid c. Faulty dispense switch 	<ul style="list-style-type: none"> a. Replace dispense gate b. Replace dispense solenoid c. Replace dispense switch

Troubleshooting SensorSAFE board and sensors

Board guide

LEDs, when illuminated, indicate the following:

PWR (board power)
 CLN (cleaning, no dispensing cycle)
 ICE (ice dispensing activated)
 WTR (water dispensing activated)

Terminals:

L1 (incoming power, hot)
 L2 (neutral terminals)
 WTR (power terminal for water solenoid)
 SOL (power terminal for dispense gate solenoid) not used
 WM (power terminal for wheel motor)
 CLN (terminals for clean cycle switch)

Problem: Does not dispense ice or water

Action	LED Status			Solution
	PWR	CLN	ICE/WTR	
Check LEDs on control board	OFF	OFF	OFF	Check circuit breakers and power switch; restore power or replace defective switch
	ON	ON	OFF	Depress clean switch located under left side of front cover to return board to normal operation
Place cup under drop zone	ON	OFF	OFF	Troubleshoot appropriate lens/sensor and replace if required (see Lens/Sensor Troubleshooting below)
	ON	OFF	ON	Verify power on appropriate output terminal (WTR SOL or WM) on control board and replace board if required; if board tests okay, troubleshoot appropriate dispenser component

Problem: Dispenses ice or water continuously

Action	LED Status			Solution
	PWR	CLN	ICE/WTR	
Check LEDs on control board	ON	OFF	ON	Troubleshoot appropriate lens/sensor and replace if required (see Lens/sensor troubleshooting below)
	ON	OFF	OFF	If there is power on any output terminal (WTR, SOL or WM) on control board, replace board Remove lens protective cover; adjust funnel so water doesn't drip down lens or behind splash panel

Lens/sensor troubleshooting

1. Turn dispenser power switch off.
2. Remove splash panel.
3. Disconnect wires from output terminal(s) (WTR, SOL, WM) on board.
4. Gently remove appropriate sensor/mounting block assembly from panel by moving block sideways until edge of block clears retaining tab of panel.
5. Inspect lens and sensor assembly for foreign material and remove using non-abrasive cleaner.
6. Turn dispenser power on and test sensor by moving hands through activation area (no closer than 3/16"/1.9mm) in front of sensor.
7. If LED on board turns on and off, sensor is working properly and dispenser may be reassembled. If LED does not come on, switch sensor leads on board and retest. If the opposite LED comes on, board is defective and must be replaced. If LED does not come on, sensor is defective and must be replaced.

Disassembly and replacement instructions

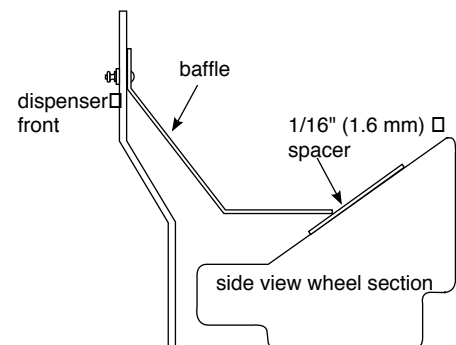
Dispense chute removal

1. Remove dispenser front cover.
2. Slide plastic dispense chute cover up and out to remove.
3. Pull out four white plastic fasteners and remove dispense chute.

Dispense wheel removal and installation

Note: Models with top mount icemakers require removal of icemaker before removing wheel.

1. Remove all ice from storage area of dispenser.
2. Remove center thumbnut from dispense wheel.
3. Remove thumbnuts holding baffle inside bin and remove baffle, remove 1/4" bar.
4. Tilt rear of wheel up and lift off motor drive shaft.
5. After reinstalling wheel, secure baffle loosely with thumbnuts, but do not tighten.
6. Place a 1/16" (1.6mm) spacer against wheel and allow baffle to drop until it touches spacer.
7. Tighten thumbnuts and remove spacer.



Drive bar removal

1. Remove dispense wheel from dispenser (see above).
2. Pull drive bar out of its channel in bottom of wheel.

Wheel motor assembly removal

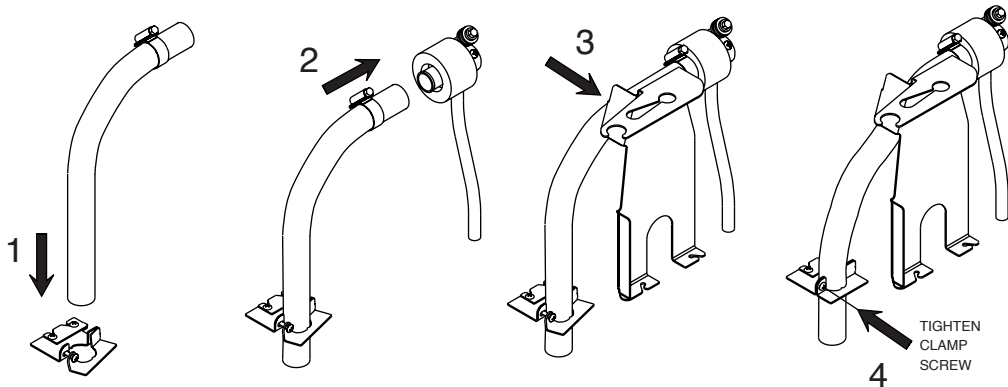
1. Shut water off; remove front cover.
2. Remove dispense wheel and dispense chute cover (see above).
3. Remove splash panel. Water line to solenoid valve can be disconnected from water inlet valve by pulling on ring at end of inlet fitting. Disconnect wiring to splash panel.
4. Disconnect wires on motor.
5. Remove four bolts (7/16" socket) holding motor assembly to bottom of dispenser.
6. Remove motor assembly.

Ice transport tube replacement

Model 110CT400A/W



Only use tubing supplied by Follett Corporation.



Ice transport tube replacement

Models 110FB400A/W, 110CR400A/W

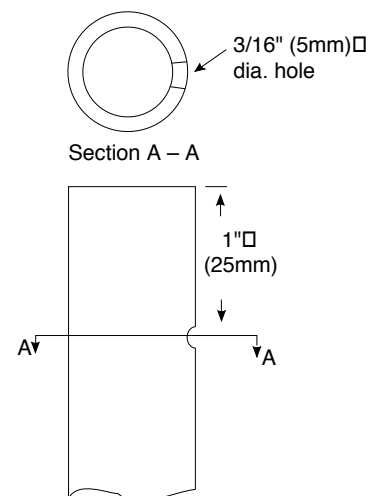


Correct installation of ice transport tube is critical to Satellite-fill icemaker performance. Replacement ice transport tubes for Satellite-fill icemakers must be insulated and run continuously from icemaker to dispenser with no dips or bends with a radius of less than 6" (153mm).

1. Remove top and rear access panel from dispenser (lower front panel in freestanding unit).
2. Disconnect existing ice tube from engaging pin on transport tube bracket in ice storage bin evaporator and pull down through dispenser chase.
3. Disconnect opposite end of tube from icemaker.
4. Run end of new ice transport tube with 3/16" (5mm) hole through ice transport tube knock-out, (Fig. 5G) in back of dispenser or through counter into bottom of dispenser, being careful to avoid any bends with less than 6" (153mm) radius.
5. Insert tube in internal chase in rear inside corner of dispenser (left side as you face dispenser) and push up into storage area.
6. Push the 3/16" (5mm) hole near end of tube into pin on ice tube bracket (see drawing below).

Steps 7-8 for units with Satellite-fill icemakers only

7. Install supplied insulation to run of transport tube required for your site, leaving approximately 2" (51mm) of tube exposed at free end.
8. Check that insulated tube runs continuously uphill to dispenser with no dips.



All units

9. Slip supplied hose clamp onto tube and push tube onto exit port of evaporator.

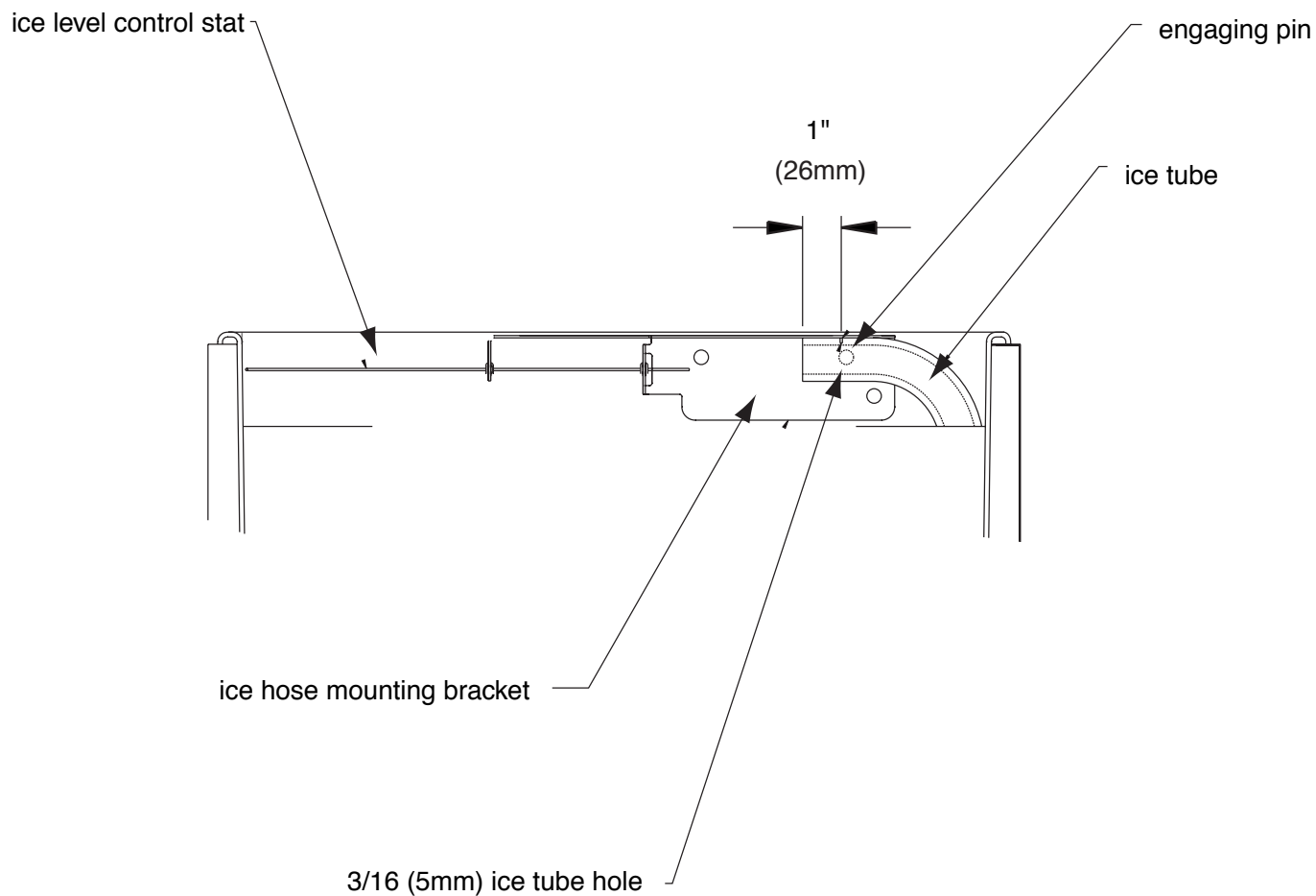
Do not twist hose when securing to evaporator.



Only use tubing supplied by Follett Corporation.

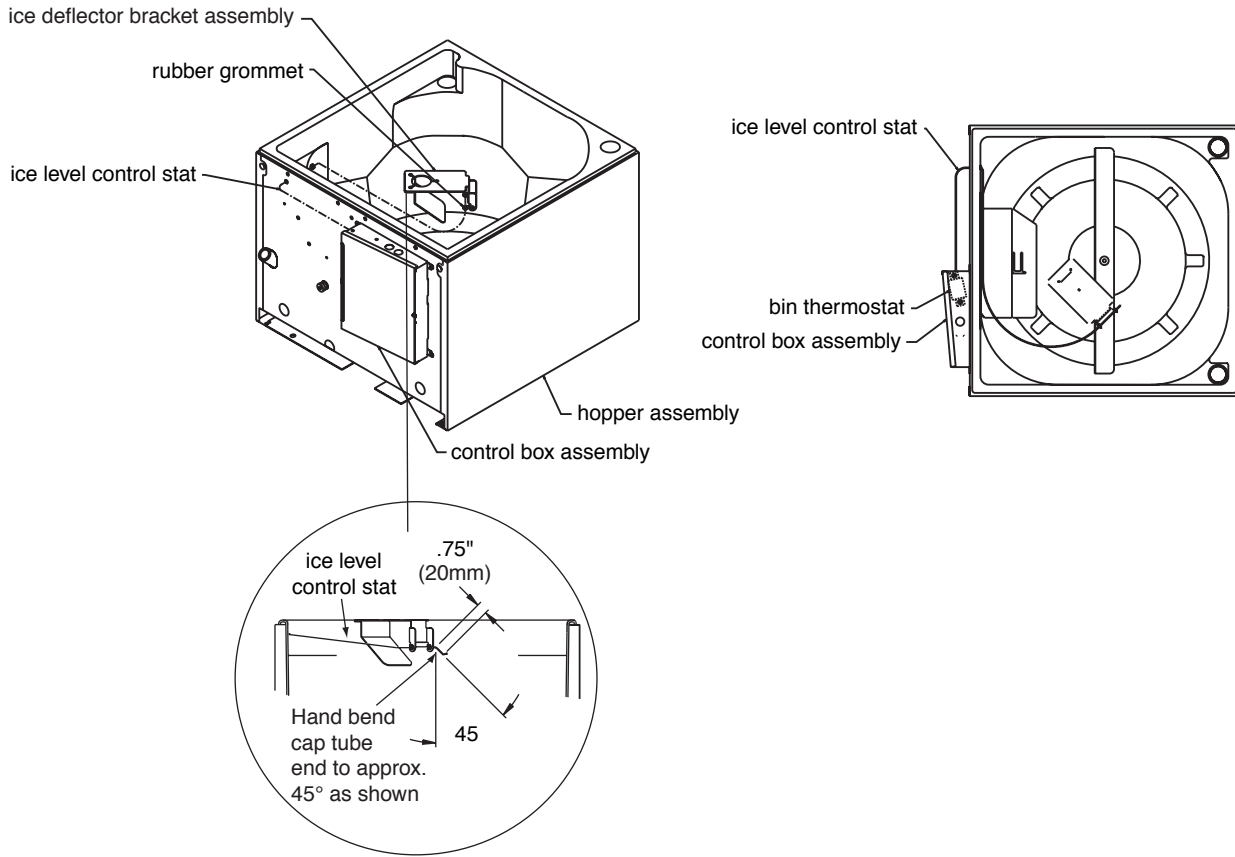
10. Fasten tube on port with hose clamp, being sure that clamp is positioned on evaporator side of nozzle flange.

11. Tighten clamp.

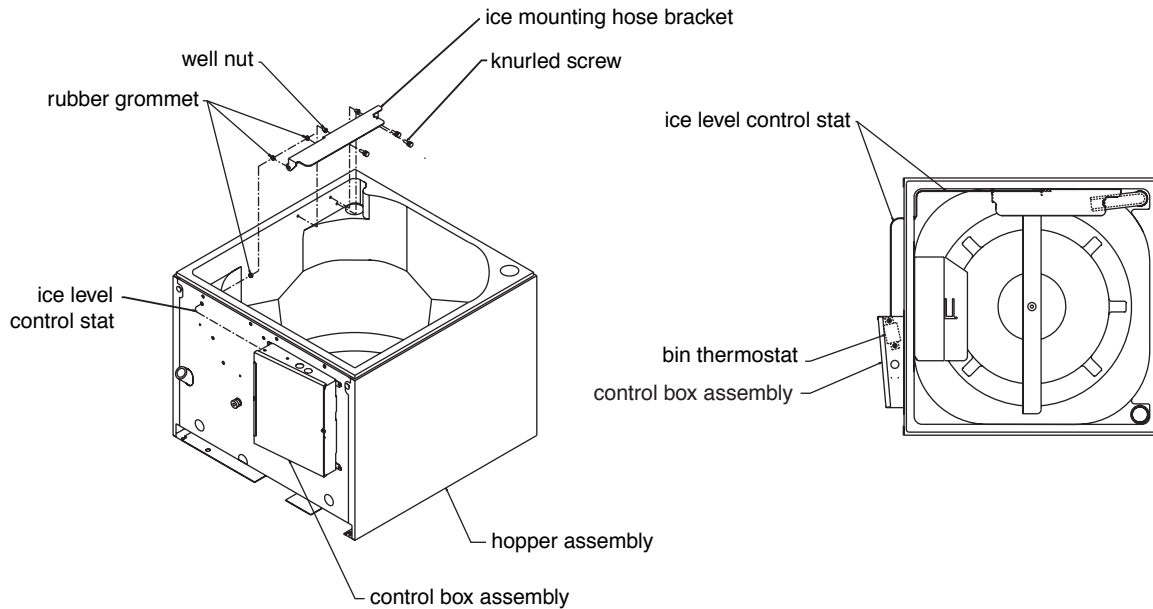


Thermostat locations

Thermostat locations – 110CT400A/W

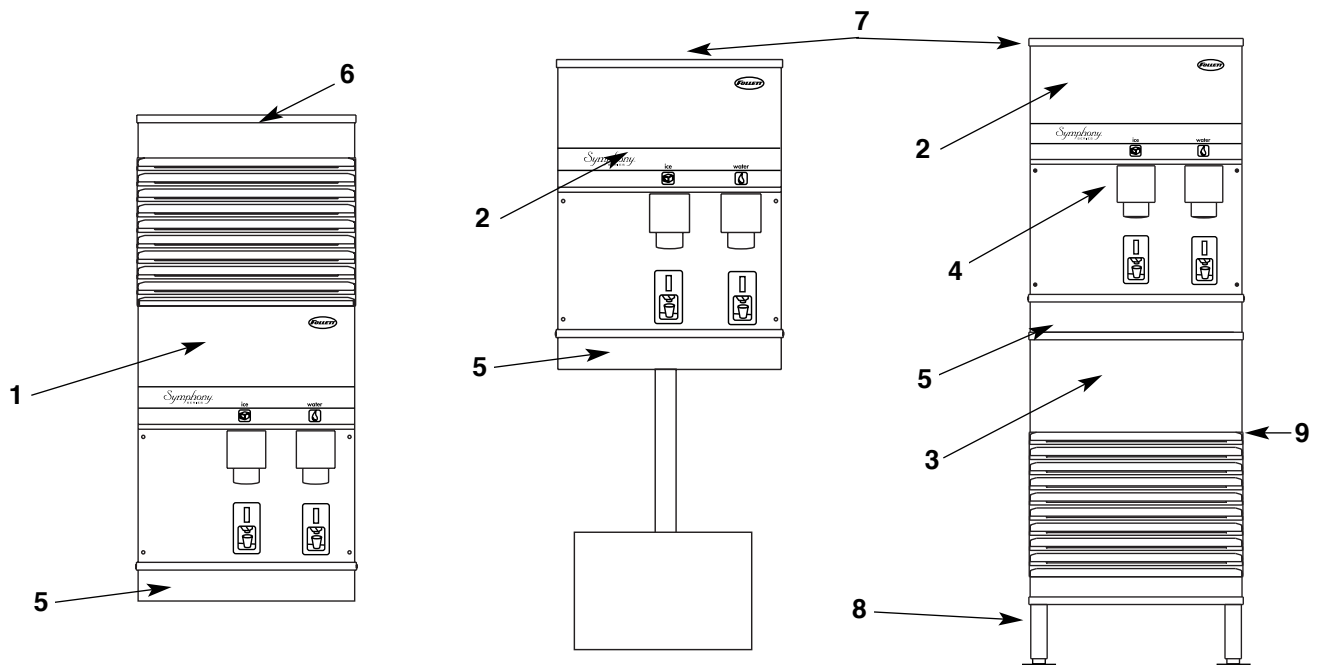


Thermostat locations – 110CR400A/W, 110FB400A/W



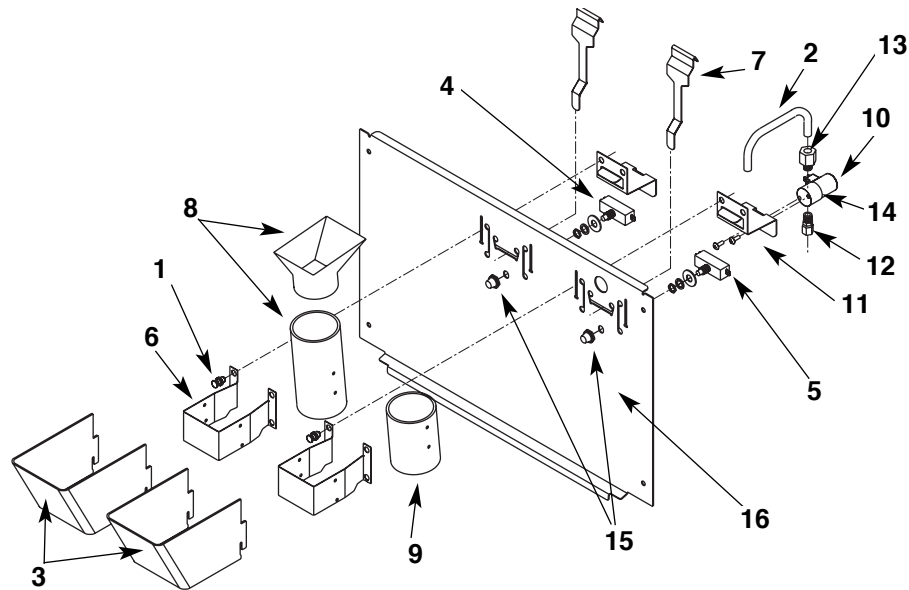
Parts

Dispenser exterior



Part #	Description	Reference
502756	Cover, top front, 110 countertop (CT)	1
502703	Cover, top front, 110 countertop unit with Satellite-fill icemaker (CR) & freestanding (FB)	2
502704	Cover, lower section, 110 freestanding (FB) units	3
502681	Cover, dispense chute	4
501100	Knurled screws, front cover	Not shown
502705	Drain pan	5
502706	Grille, drain pan	Not shown
502779	Drain pan and base assembly (includes 502705 and 502706)	Not shown
502709	Lid, icemaker, 110, countertop (CT)	6
502702	Lid, 110, countertop (CR) units with Satellite-fill icemakers & freestanding (FB) units	7
502088	Leg kit, for freestanding units – set of 4	Not shown
502298	Single leg, for freestanding units	8
500376	Strainer, water faucet and icemaker (models with integral icemaker)	Not shown
502711	Drain tube assembly	Not shown
00112854	Drain line adapter	Not shown
502100	Mounting plate/fitting, water inlet	Not shown
502433	Tee, water inlet	Not shown
502222	Valve, water shut-off	Not shown
502268	Fitting, drain and mounting plate (units with integral icemaker)	Not shown
502716	Base stand assembly, countertop dispenser	9
502225	Assembly, water inlet, freestanding units (includes valve, tee and strainer)	Not shown
502701	Drain fitting, brass, icemaker, freestanding units	Not shown
00109728	Drain fitting, plastic, icemaker (includes screws)	Not shown
502776	Cord, power, dispenser	Not shown
502777	Cord & plug, female, bin signal, Satellite-fill icemaker	Not shown
502816	Cord & plug, female, bin signal, top mount icemaker	Not shown
502817	Cord & plug, female, bin signal, freestanding	Not shown
502359	Clean switch, SensorSAFE	Not shown
502788	Cord & plug, icemaker power, top mount	Not shown
502786	Cord & plug, female, icemaker power, freestanding	Not shown
502805	Caster	Not shown

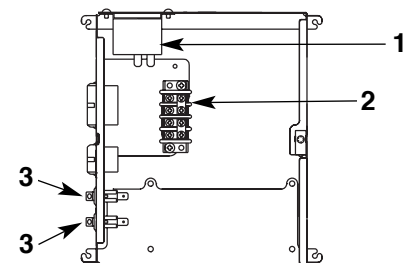
Dispense chute and splash panel areas — lever models



Part #	Description	Reference
502057	Fastener, dispense chute bracket	1
502356	Tube, water station	2
502681	Cover, dispense chute	3
501829	Switch, dispense, ice, lever actuated (includes 501841)	4
502359	Switch, dispense, water, lever actuated (includes 501841)	5
502247	Bracket, chute (includes fasteners 502057)	6
502358	Lever, dispense	7
502248	Chute and funnel, ice	8
502249	Chute, water	9
502357	Solenoid assembly, water (includes 502243, 502356, 502246, 502355 and 502262) 120V, 60Hz	10
502355	Bracket, water solenoid and lever	11
502246	Fitting, inlet, 1/8" MPT x 1/4" comp	12
502262	Fitting, outlet, 1/8" MPT x 3/8" comp	13
502243	Solenoid valve, water, 120 V, 60Hz	14
501841	Boot, dispense switch button (mounts on 501829 switch)	15
502079	Tubing, water station, thermoplastic, 1/4" OD (sold by the foot)	Not shown
502789	Splash panel	16

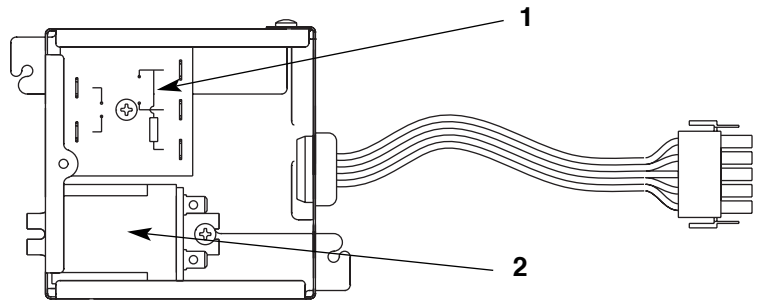
Electrical box (front view) — lever models

Part #	Description	Reference
500514	Thermostat	1
501604	Terminal block	2
502209	Switch, dispenser power	3
502209	Switch, icemaker bin signal	3

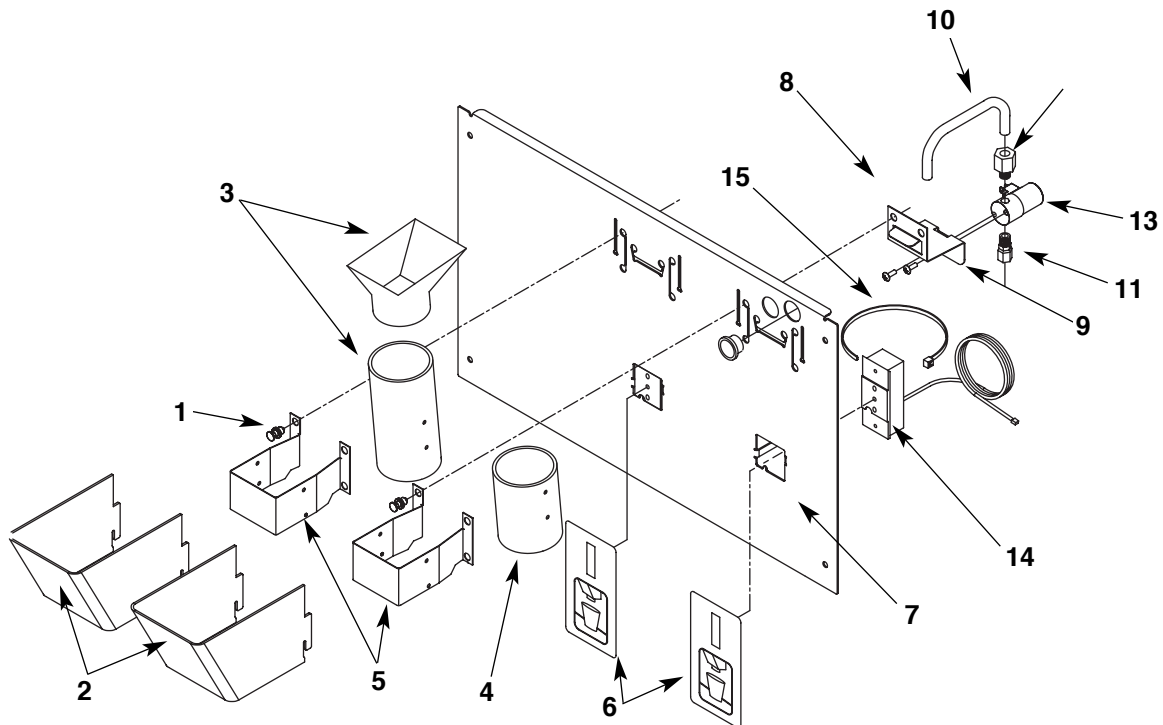


Electrical box – level fill

Part #	Description	Reference
501601	Level fill timer	1
501369	Level fill relay	2



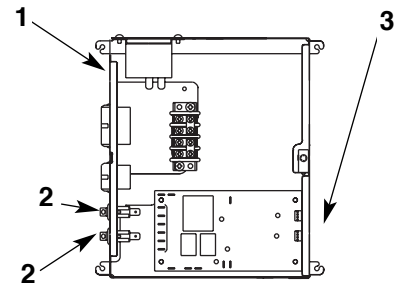
Dispense chute and splash panel areas – SensorSAFE models



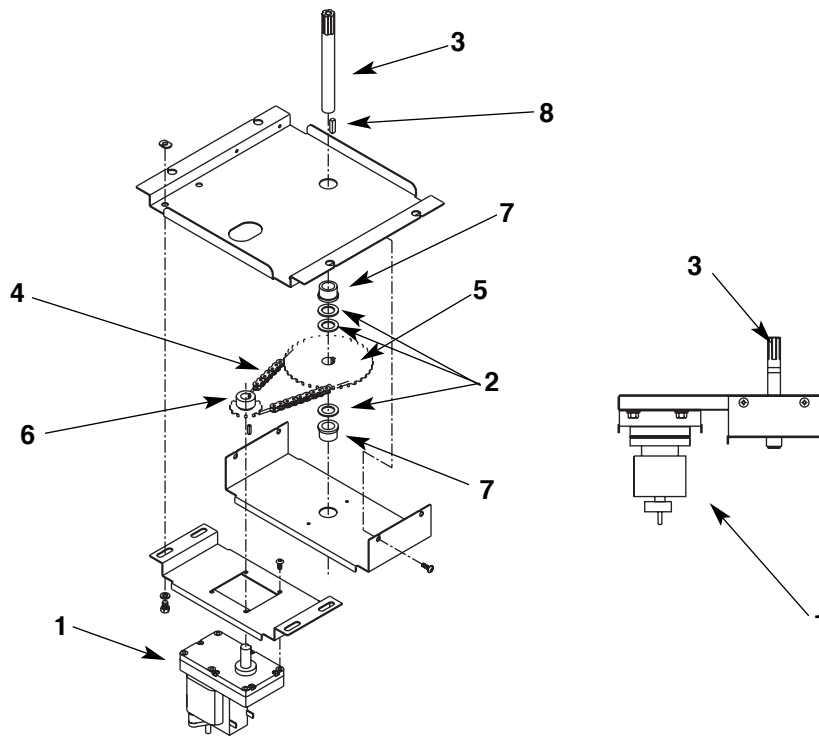
Part #	Description	Reference
502057	Fastener, dispense chute bracket	1
502681	Cover, dispense chute (includes labels)	2
502248	Chute and funnel, ice	3
502249	Chute, water	4
502247	Bracket, chute (includes fasteners 502057)	5
502690	Lens, sensor	6
502710	Splash panel (includes 2 of 502690)	7
502357	Solenoid assembly, water, 120V, 60Hz (includes 502243, 502356, 502246, 502355, 502262)	8
502355	Bracket, water solenoid and lever	9
502356	Tube, water station	10
502246	Fitting, inlet, 1/8" MPT x 1/4" comp	11
502262	Fitting, outlet, 1/8" MPT x 3/8" comp	12
502243	Solenoid valve, water, 120V, 60Hz	13
00122978	Sensor (includes 502690 and 203611)	14
203611	Ty-rap, sensor mounting	15

Electrical box (front view) – SensorSAFE models

Part #	Description	Reference
500514	Thermostat, bin level	1
502209	Switch, dispenser power	2
502209	Switch, icemaker bin signal	2
502242	Control board, SensorSAFE	3
502359	Clean switch, SensorSAFE	Not shown
501841	Boot, clean switch	Not shown



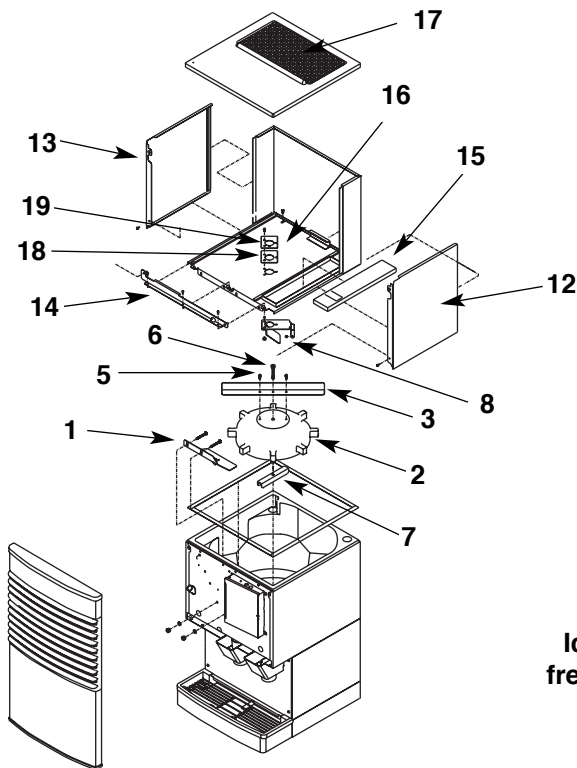
Wheel motor and drive system



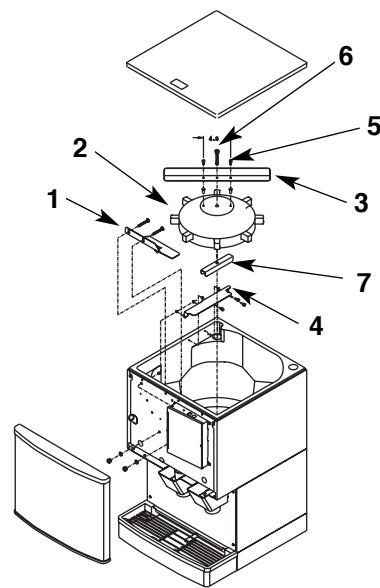
Part #	Description	Reference
501861	Wheel motor, 120V, 60Hz	1
501026	Washer, thrust	2
501607	Fan blade, wheel motor	Not shown
501619	Drive shaft (includes threaded rod and nut, see #6, page 26)	3
502691	Chain, 54 link	4
502692	Sprocket, drive shaft, 35 teeth	5
501019	Sprocket, wheel motor, 10 teeth	6
501024	Bearing, drive shaft	7
500799	Connecting link, chain	Not shown
500637	Key, drive shaft	8
5502020	Dispenser drive assembly	Parts 1-8 above

Hopper components

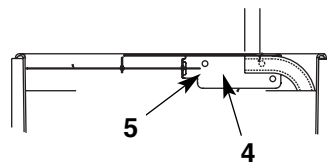
Top view – top mounted unit



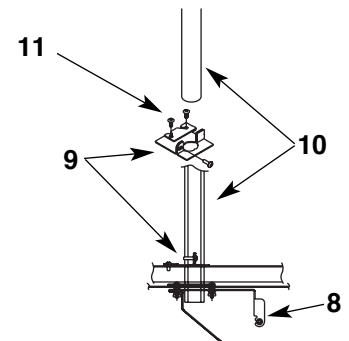
Top view – freestanding and Satellite-fill units



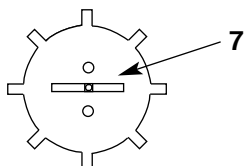
Ice tube bracket – side view – freestanding & Satellite-fill units



Ice tube bracket – side view – all top mounted units



Dispense wheel – bottom view all units

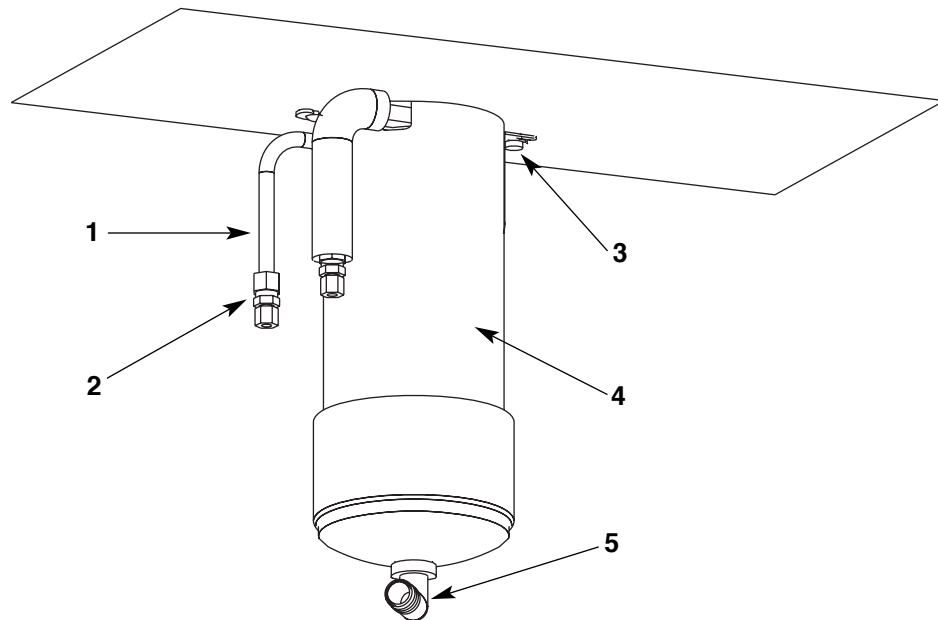


Part #	Description	Reference
501802	Baffle, ice	1
501493	Wheel, dispense (includes drive bar, rotating agitator, threaded bar & rod)	2
501494	Agitator, rotating	3
502712	Bracket, ice tube	4
501100	Screw	5
501612	Rod, threaded (includes knurled nut)	6
501617	Drive bar assembly (includes threaded rod and nut)	7
501616	Ice deflector/cap tube bracket (units with top mounted icemaker)	8
502698	Bracket, ice tube entry (units with top mounted icemaker)	9
502697	Ice transport tube assembly (units with top mounted icemakers)	10
501613	Screws, knurled	11
502723	Side panel, RH	12
502722	Side panel, LH	13
502714	Bracket, icemaker hold-down	14
502717	Cover, hopper access	15
502708	Cover, hopper	16
502709	Lid, Icemaker, 110CT	17
502824	Gasket, ice entry	18
00120279	Kit, ice tube entry, top mount	19
00115196	Drain pan, hopper	Not shown

Ice transport tubing

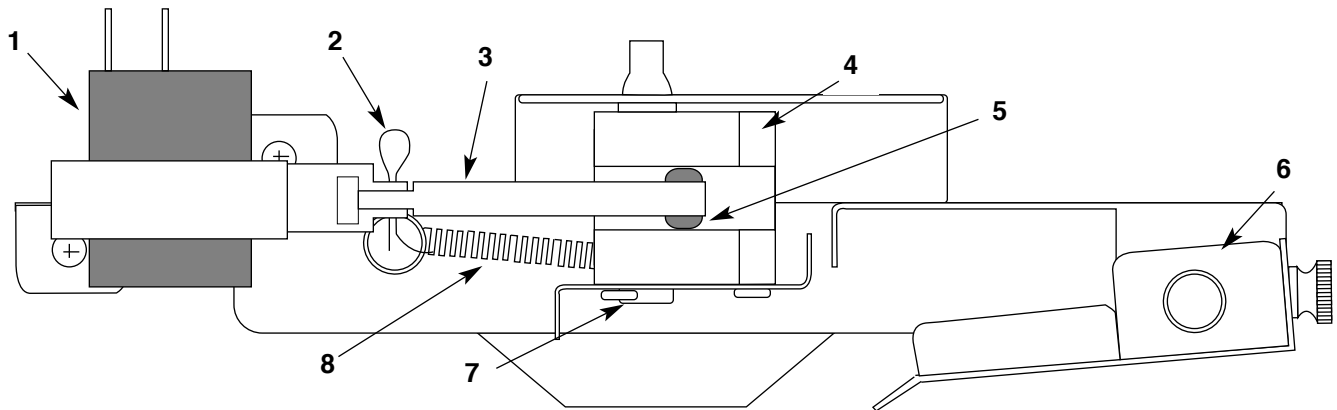
Part #	Description	Reference
502522	Ice transport tube (Satellite-fill units) – 10 ft (3.1m)	Not shown
502523	Ice transport tube (Satellite-fill units) – 20 ft (6.1m)	Not shown
501176	Ice transport tube insulation (Satellite-fill units only) – sold by the foot	Not shown
502327	Ice transport tube assembly (110 freestanding units)	Not shown
502697	Ice transport tube assembly (110 top mount units)	Not shown

Chilled water components



Part #	Description	Reference
502598	Coil, chilled water (includes two 502599)	1
502599	Fitting, water coil	2
502600	Brackets, chilled water canister, pair (includes screws)	3
502601	Canister, chilled water (includes 502600 and 502605)	4
502605	Elbow, drain	5
502602	Assembly, chilled water (includes reference #1 through 5 above)	
502604	Tee, drain line	Not shown

Solenoid dispense assembly



Part #	Description	Reference #
501830	Solenoid, dispense	1
502040	Cotter pin	2
502039	Linkage, solenoid (includes 502054 grommet)	3
502042	Block, dispense gate	4
502054	Grommet	5
502045	Splash pan, gate assembly	6
502038	Shoulder screw and washer	7
501824	Spring, gate assembly	8
502043	Gate assembly, 115V (includes reference numbers 1 through 8 above)	

