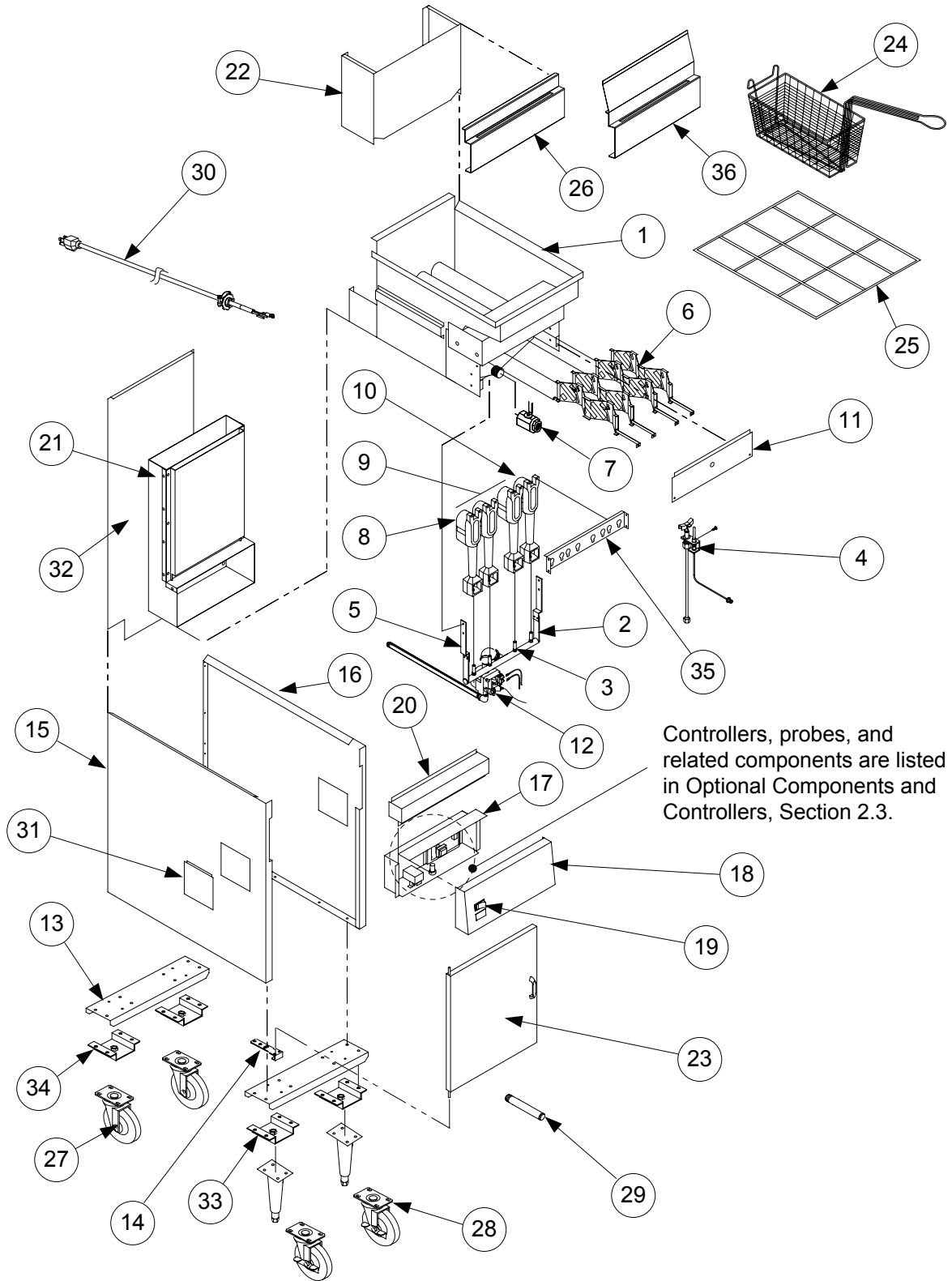


# DECATHLON SERIES GAS FRYERS

## CHAPTER 2: PARTS LIST

### 2.1 Decathlon Primary Components



## DECATHLON SERIES GAS FRYERS CHAPTER 2: PARTS LIST

*All items used only for either "D", "SCFD", "CFD", or "FPD65" fryer models have been marked for clarity. Unmarked items may be used on either model. If you have any questions, call the Frymaster and Dean 24-Hour Service Hotline, 1-800-551-8633.*

### 2.1.1 Decathlon D20 Primary Components

ITEM	PART #	COMPONENT
1	826-1875	Frypot - S/S
2	810-2167	Manifold, Gas
3	810-2050	Orifice, Natural Gas #44, 2.18 mm
*	810-2062	Orifice, Natural Gas #38, 2.58 mm
*	810-0710	Orifice, LP Gas #54, 1.40 mm
*	810-2060	Orifice, G20/G25 Gas #42, 2.40 mm (CE only)
*	810-2059	Orifice, G31 Gas #53, 1.51 mm (CE only)
4	810-2158	Pilot Burner, Natural/G20/25 Gas
*	810-2526	Pilot Burner, LP/G31 Gas
*	809-0766	Nut, Keps 10-32 SS Hex
*	809-0845	Screw, 10-32 x $\frac{3}{8}$ " Hex Slotted Head
*	810-0705	Tube, Pilot Gas Supply
*	810-0703	Tube, $\frac{1}{4}$ " x 20" Pilot Gas Supply
5	200-1615	Manifold Support Bracket
6	210-5216	Diffuser Assembly
7	▶▶▶	<b>See Drain Manifold Components, Section 2.5</b>
8	810-2151	Burner, Left Side
9	N/A	Burner, Center
10	810-2150	Burner, Right Side
11	200-1331	Heat Shield
12	807-3552	Gas Valve, Natural Gas Electronic Ignition, 24 VAC
*	807-3628	Gas Valve, LP Gas Electronic Ignition, 24 VAC
*	810-2156	Gas Valve, Natural Gas, 120 VAC
*	810-2323	Gas Valve, LP Gas, 120 VAC
*	807-2091	Gas Valve, G20/G25 Gas, 24 VAC (CE only)
*	807-2127	Gas Valve, G31 Gas, 24 VAC (CE only)
*	807-3294	Gas Valve, Natural Gas Constant Pilot, 24 VAC
*	807-3295	Gas Valve, LP Gas Constant Pilot, 24 VAC
*	810-0691	Vent Tube
13	200-1148	Channel, Front and Rear
14	200-1675	Bracket, Lower Hinge
15	211-3261	Side Panel, Left
*	201-3268	Panel, Inner Left (multi-battered units)
16	212-3261	Side Panel, Right
*	202-3268	Panel, Inner Right Side (multi-battered units)
17	824-1025	Wireway, Control Panel
18	07-0132	Control Panel, Blank
*	07-0132-1	Control Panel, One Hole
*	07-0132-2	Control Panel, Two Holes
19	▶▶▶	<b>See Optional Components, Section 2.3</b>
20	824-1125	Topcap (D50/D20)
*	210-3323	Topcap (D220)
21	106-1583SP	Flue Assembly
*	200-1342	Shield, Flue Heat
*	200-1344	Front, Flue Box

\* Not illustrated.

**DECATHLON SERIES GAS FRYERS  
CHAPTER 2: PARTS LIST**

**2.1.1 Decathlon 20 Primary Components (cont.)**

ITEM	PART #	COMPONENT
*	200-1351	Rear, Flue Box
*	200-3647	Deflector, Flue
22	823-3368	Flue Cap
23	106-2121SP	Door Assembly (D20)
*	210-3266	Panel, Door Outer
*	200-3267	Panel, Door Inner
*	810-0180	Handle, Door, Chrome
*	809-0918	Screw, 10-24 x 1/2" Slotted Head (use with 810-2105)
*	809-0191	Washer, 1/4" Spring-lock (use with 810-2105)
*	200-1301	Pin, Door, 20 1/4"
*	810-0066	Magnetic Catch, Door
24	823-0271	Basket, Twin
25	803-0327	Grid, Frypot, Screen-type
26	210-3368	Hanger, Basket, D20 Single System
*	210-3911	Hanger, Basket, D250/20 System
27	810-0356	Caster, Plate-mount 5-inch without Brake
*	810-2406	Caster, Single Stud-mount 5-inch without Brake
28	810-0357	Caster, Plate-mount 5-inch with Brake
*	810-2405	Caster, Single Stud-mount 5-inch with Brake
*	826-1389	Screw, 1/4-20 x 3/4" Hex Head (for plate-mount casters, qty: 10)
29	813-0669	Drain Nipple, Extended 1" Drain
30	106-0913SP	Cordset, 10' Power
31	210-2804	Cover, Outlet Duct
32	200-3285	Panel, Structural Back (D20, in multi-battered systems)
*	200-1674	Panel, Structural Back (D220)
33	810-2411	Leg, Single Bolt Mount (black)
*	806-3811	Leg Package, 4-bolt Mount (4 per set)
*	806-5043	Leg, Single
34	823-3636	Leg Support Assembly
35	823-3346	Bracket, Burner Mounting
36	823-3715	Hanger, Basket D20 Single (Chili's units only)

\* Not illustrated.

**2.1.2 Decathlon D50 Primary Components**

ITEM	PART #	COMPONENT
1	826-1871	Frypot - S/S (SCFD50, CFD50)
*	826-1873	Frypot - S/S (D50)
*	826-1869	Frypot - S/S, (DD50 Deep Depth, used in fryer batteries with D60)
*	826-2037	Frypot, Cracker Barrel (1.5" Drain)
2	810-2169	Manifold, Gas (D50)
*	810-2130	Manifold, Gas (SCFD50)
3	810-2048	Orifice, Natural Gas #39 2.53 mm (non-CE D50GHP, SCFD50G)
*	810-2062	Orifice, Natural Gas #38, 2.58 mm
*	810-2059	Orifice, LP/G31 Gas #53, 1.51 mm (CE, D50; non-CE, D50G(DD)HP & SCFD50G)
4	810-2032	Pilot Burner, Natural/G20/25 Gas
*	810-2155	Pilot Burner, LP/G31 Gas
*	106-1439	Pilot Burner, Natural Gas, with Thermocouple

\* Not illustrated.

**DECATHLON SERIES GAS FRYERS**  
**CHAPTER 2: PARTS LIST**

**2.1.2 Decathlon D50 Primary Components (cont.)**

ITEM	PART #	COMPONENT
*	106-0692	Pilot Burner, Natural Gas, with Thermopile
*	809-0766	Nut, Keps 10-32 SS Hex
*	809-0845	Screw, 10-32 x $\frac{3}{8}$ " Hex Slotted Head
*	810-0705	Tube, $\frac{1}{4}$ " x 20" Pilot Gas Supply (one-piece gasline)
*	810-0703	Tube, $\frac{1}{4}$ " x 17 $\frac{1}{2}$ " Pilot Gas Supply (one-piece gasline)
5	200-1314	Bracket, Manifold Support
*	200-1615	Bracket, Manifold Support (right or left)
6	210-5175	Diffuser Assembly
7	▶▶▶	<b>See Drain Manifold Components, Section 2.5</b>
8	810-2151	Burner, Left Side
9	810-2149	Burner, Center
10	810-2150	Burner, Right Side
11	200-1330	Heat Shield
*	200-1363	Lower Heat Shield
12	807-3552	Gas Valve, Natural Gas Electronic Ignition, 24 VAC
*	807-3628	Gas Valve, LP Gas Electronic Ignition, 24 VAC
*	810-2156	Gas Valve, Natural Gas, 120 VAC
*	810-2323	Gas Valve, LP Gas, 120 VAC
*	807-3294	Gas Valve, Natural Gas, Constant Pilot, 24 VAC
*	807-3295	Gas Valve, LP Gas, Constant Pilot, 24 VAC
*	807-2091	Gas Valve, G20/G25 Gas, 24 VAC (CE only)
*	807-2127	Gas Valve, G31 Gas, 24 VAC (CE only)
*	810-0691	Vent Tube
13	200-1148	Channel, Front and Rear
*	200-2783	Channel, Base
14	200-1675	Lower Hinge Bracket (previous production D50)
*	823-5346	Hinge, Lower Left (current production D50, SCFD50)
*	823-5347	Hinge, Lower Right (current production D50, SCFD50)
*	823-5348	Hinge, Upper Left (current production D50, SCFD50)
*	823-5349	Hinge, Upper Right (current production D50, SCFD50)
15	211-2787	Side Panel, Left Side
16	212-2787SP	Side Panel, Right Side
17	824-0961	Wireway, Control Panel
18	210-3716	Control Panel, Blank
*	210-2908	Control Panel, One Hole
*	210-2051	Control Panel, Two Holes
*	210-3747	Control Panel, Three Holes
*	210-3715	Control Panel, Three Holes (basket lift option)
19	▶▶▶	<b>See Optional Components, Section 2.3</b>
20	824-1103	Top Cap, Single System (D50, CFD50)
*	824-0982	Top Cap, Double System (D50, SCFD50)
*	824-0983	Top Cap, Triple System (D50, SCFD50)
*	824-0984	Top Cap, Quad System (D50, SCFD50)
*	824-1125	Top Cap (D50/D20)
21	106-1742SP	Flue Box Assembly
*	823-3634	Flue Cap Assembly (2-battery)
*	200-2872	Shield, Flue Heat
*	200-1343	Front, Flue Box
*	200-1350	Rear, Flue Box
*	200-3651	Deflector, Flue
22	823-3521	Flue Cap, D50/CFD & 15MC (Single)
23	106-1754SP	Door Assembly (D50)
*	210-2869	Panel, Outer Door

\* Not illustrated.

**DECATHLON SERIES GAS FRYERS  
CHAPTER 2: PARTS LIST**

**2.1.2 Decathlon D50 Primary Components (cont.)**

ITEM	PART #	COMPONENT
*	200-1379	Panel, Inner Door
*	106-4727	Door Assembly, Left (SCFD50)
*	106-4728	Door Assembly, Right (SCFD50)
*	210-8946	Panel, Outer Door
*	201-8945	Panel, Inner Door, Left
*	202-8945	Panel, Inner Door, Right
*	810-0180	Handle, Chrome, Door
*	809-0918	Screw, 10-24 x 1/2" Slotted Head (use with 810-2105)
*	809-0191	Washer, 1/4" Spring-lock (use with 810-2105)
*	200-1301	Pin, Door, Long (D50)
*	210-9889	Pin, Door (SCFD50)
*	810-0066	Magnetic Catch, Door (D50)
*	810-1105	Magnetic Catch, Door (SCFD50)
24	803-0271	Basket, Twin
*	803-0099	Basket, Full
25	803-0277	Grid Assembly, Fine Mesh
26	210-1595	Hanger, Basket, Single System, (attaches to flue)
*	210-3131	Hanger, Basket, Double System (attaches to flue)
27	810-0356	Caster, Plate-mount, 5-inch without Brake
*	810-2281	Caster, Plate-mount, 5-inch with Brake ("Tile Safe" Cracker Barrel)
*	810-2406	Caster, Single Stud-mount, 5-inch without Brake
28	810-0357	Caster, Plate-mount, 5-inch with Brake
*	810-2280	Caster, Adj. Swivel, 3-inch with Brake ("Tile Safe" Cracker Barrel)
*	810-2405	Caster, Single Stud-mount, 5-inch with Brake
*	826-1389	Screw, 1/4-20 x 3/4" Hex Head (for plate-mount casters, qty: 10)
29	812-1226SP	Drain Nipple, Extended 1 1/4" Drain
*	812-1717	Drain Nipple, Extended 1 1/2" Drain
30	106-0913SP	Cordset, 10' Power
31	210-2804	Cover, Outlet Duct
32	200-1674	Back Panel, Lower (D50/CFD50)
33	810-2411	Leg, Single Bolt Mount (black)
*	806-3811	Leg Package, 4 Bolt Mount (4 per set)
34	823-3248	Leg Support Assembly
35	200-1329	Burner Mounting Bracket
36	823-4075	Hanger, Basket, Single with 6" Splash Guard
*	823-3710	Hanger, Basket, Double System (UFF) With 6" Splash Guard

\* Not illustrated.

**2.1.3 Decathlon D60 Primary Components**

ITEM	PART #	COMPONENT
1	826-2229	Frypot - S/S, 1/2" Drain (D60, CFD60, SCFD60)
*	826-1802	Frypot - S/S, 1 1/4" Drain <u>Non-Filtration</u>
*	826-1826	Frypot - S/S, Cascade Filter
*	812-1666	Coupling, Thermostat Entry
*	813-0036	Collar, Thermostat
*	210-1650	Deflector, Oil Return
*	812-1501	Nipple, 1 1/2" NPT x 1 NPT
2	810-2072	Gas Manifold (weld assembly)
3	810-2048	Orifice, Natural Gas #39 2.53 mm (non-CE)

\* Not illustrated.

**DECATHLON SERIES GAS FRYERS  
CHAPTER 2: PARTS LIST**

**2.1.3 Decathlon D60 Primary Components (cont.)**

ITEM	PART #	COMPONENT
*	810-2059	Orifice, LP Gas #53 1.51 mm (CE and non-CE)
*	810-2060	Orifice, Nat. Gas/G20/G25 (CE only)
4	810-2032	Pilot Burner, Natural/G20/25 Gas (primary and trailing, 120V)
*	810-2155	Pilot Burner, LP/G31 Gas (primary and trailing)
*	812-1674	Pilot Burner, Mod. Natural Gas (electronic ignition)
*	809-0766	Nut, Keps 10-32 SS Hex (primary and trailing)
*	809-0845	Screw, 10-32 x $\frac{3}{8}$ " Hex Slotted Head (primary and trailing)
*	810-0705	Tube, Pilot Gas Supply, $\frac{1}{4}$ " x 23" (one-piece gasline)
*	810-0703	Tube, Pilot Gas Supply, $\frac{1}{4}$ " x 17 $\frac{1}{2}$ " (one-piece gasline)
*	810-2138	Valve, Trailing Pilot, Adjustable (trailing pilot only)
5	200-1314	Bracket, Manifold Support
*	200-1615	Bracket, Manifold Support (right or left)
6	210-8387	Diffuser Assembly
7	▶▶▶	<b>See Drain Manifold Components, Section 2.5</b>
8	810-2151	Burner, Left Side
9	810-2149	Burner, Center
10	810-2150	Burner, Right Side
11	200-1324	Heat Shield, Lower (D60)
*	200-1363	Heat Shield, Lower (SCFD60)
*	824-0970	Heat Shield, Vessel (SCFD60)
*	812-0211	Insulation, Kaowool Blanket, .5" x 7.5" x 17.5"
*	824-0969	Support, Burner
12	807-3552	Gas Valve, Natural Gas, Electronic Ignition, 24 VAC ( $\frac{3}{4}$ " in, $\frac{1}{2}$ " out)
*	807-3628	Gas Valve, LP Gas, Electronic Ignition, 24 VAC
*	807-3294	Gas Valve, Natural Gas, Constant Pilot, 24 VAC
*	807-3295	Gas Valve, LP Gas, Constant Pilot, 24 VAC
*	810-2156	Gas Valve, Natural Gas, 120 VAC
*	810-2323	Gas Valve, LP Gas, 120 VAC
*	807-2091	Gas Valve, G20/G25 Gas, 24 VAC (CE only)
*	807-2127	Gas Valve, G31 Gas, 24 VAC (CE only)
*	810-0691	Vent Tube
*	823-3347	Frame, Slide Base (SCFD60)
13	200-2493	Channel, Rear and Front (D60)
*	200-3219	Channel, Rear and Front (SCFD60)
*	200-1198	Channel, Base (Single)
*	200-1463	Channel, Base (Double)
*	200-1393	Channel, Lower Joiner (SCFD60)
14	200-1675	Lower Hinge Bracket (previous production D60)
*	823-5346	Hinge, Lower Left (current production D60, SCFD60)
*	823-5347	Hinge, Lower Right (current production D60, SCFD60)
*	823-5348	Hinge, Upper Left (current production D60, SCFD60)
*	823-5349	Hinge, Upper Right (current production D60, SCFD60)
15	211-2532	Side Panel, Left Side (unit exterior; D60)
16	212-2532	Side Panel, Right Side (unit exterior; D60)
*	211-4570	Side Panel, Left Side (unit exterior; SCFD60)
*	212-4570	Side Panel, Right Side (unit exterior; SCFD60)
*	201-4775	Side Panel, Left Side with Hole (unit interior)
*	202-4775	Side Panel, Right Side with Hole (unit interior)

\* Not illustrated.

**DECATHLON SERIES GAS FRYERS  
CHAPTER 2: PARTS LIST**

**2.1.3 Decathlon D60 Primary Components (cont.)**

ITEM	PART #	COMPONENT
*	201-1245	Panel, Inner Left (divider located over filter unit)
*	202-1245	Panel, Inner Right (divider located over filter unit)
17	824-0951	Wireway, Control Panel (D60)
*	824-1195	Wireway, Control Panel (SCFD60)
18	▶▶▶	<b>See Control Panel Options, Joiner Strips, and Accessories, Section 2.2</b>
19	▶▶▶	<b>See Optional Components, Section 2.3</b>
20	824-0987	Top Cap (Single)
*	824-0937	Top Cap (2-battery)
*	106-1258	Flue Assembly
*	809-0997	Washer, 1/2 SAE "N" S/S
*	809-0169	Screw, #12 x 3/4" Hex Washer Slotted Head
*	809-0428	Screw, 1/4-20 x 1/2" Hex Head
*	809-0417	Nut, Flange 1/4-20 Serrated
21	106-0997	Flue Box Assembly
*	200-1339	Front, Flue Box
*	200-1773	Back, Flue Box
*	200-1325	Shield, Flue Box
*	809-0167	Screw, Sheet Metal 10 A x 5/8 B
*	200-3649	Deflector, Flue
22	106-1703SP	Flue Cap (Single)
*	823-3516	Flue Cap (2-battery)
23	106-2898SP	Door Assembly, with Liner (D60)
*	200-1185	Panel, Door, Inner
*	210-1424	Panel, Door, Outer
*	106-4721	Door Assembly, Left (SCFD60)
*	200-4794	Panel, Door, Inner
*	211-8935	Panel, Door, Outer
*	106-4722	Door Assembly, Right (SCFD60)
*	200-4794	Panel, Door, Inner
*	212-8935	Panel, Door, Outer
*	810-0180	Handle, Door, Chrome
*	809-0918	Screw, 10-24 x 1/2" Slotted Head (use with 810-2105)
*	809-0191	Washer, 1/4" Spring-lock (use with 810-2105)
*	200-1301	Pin, Door (D60)
*	210-9889	Pin, Door (SCFD60)
*	810-0066	Magnetic Catch/Plate, Door (D60)
*	810-1105	Magnetic Catch/Plate, Door (SCFD60)
24	803-0304	Fry Basket, 6 x 8 3/4" x 16 3/4"
25	803-0149	Grid Assembly, Mesh
*	810-2235	Grid Assembly, Rack
26	210-2737SP	Basket Hanger, Single, no Splash Guard
*	823-3349	Basket Hanger, Double, Tall
*	823-4780	Basket Hanger, Chili's Single System, 6" Splash Guard
*	823-4999	Basket Hanger, Chili's Double System, 6" Splash Guard
27	810-0356	Caster, Plate-mount 5" without Brake
*	810-2406	Caster, Single Stud-mount 5" without Brake
28	810-0357	Caster, Plate-mount 5" with Brake
*	810-2405	Caster, Single Stud Mount 5" with Brake
*	826-1389	Screw, 1/4-20 x 3/4" Hex Head (for plate-mount casters, qty: 10)

\* Not illustrated.

**DECATHLON SERIES GAS FRYERS  
CHAPTER 2: PARTS LIST**

**2.1.3 Decathlon D60 Primary Components (cont.)**

ITEM	PART #	COMPONENT
29	812-1226SP	Drain Nipple, Extended, 1 ¼"
*	812-1717SP	Drain Nipple, Extended, 1 ½"
30	106-0913SP	Cordset, 10' Power
31	210-2804	Cover, Outlet Duct
32	200-1327	Back Panel, Lower
*	200-1213	Back Panel, Upper
33	810-2411	Leg, Single Bolt Mount (black)
*	806-3811	Leg Package, 4 Bolt Mount (4 per set)
34	823-3248	Leg Support Assembly
35	200-2065	Bracket, Burner Mounting

\* Not illustrated.

**2.1.4 Decathlon FPD65 Primary Components**

ITEM	PART #	COMPONENT
*	200-2308	Post, Door (SCFD60)
*	201-1182	Gusset, Side Panel Left (SCFD60)
*	202-1182	Gusset, Side Panel Right (SCFD60)
*	200-1611	Base (SCFD60)
*	210-2804	Duct, Door Access (SCFD60)
*	200-2713	Plate, Suction Manifold (SCFD60)
*	210-1180	Insert, Suction Manifold (SCFD60)
*	823-3948SP	Frypot - S/S
*	812-1666	Coupling, Thermostat Entry
*	813-0036	Collar, Thermostat
*	210-1650	Deflector, Oil Return
*	812-1501	Nipple, 1½" NPT x 1 NPT
2	810-2072	Gas Manifold (weld assembly)
3	810-2048	Orifice, Natural Gas #39 2.53 mm (non-CE)
*	810-2059	Orifice, LP Gas #53 1.51 mm (CE and non-CE)
*	810-2497	Orifice, Butane Gas #55 1.32mm
*	810-0710	Orifice, LP Gas #54 1.4mm
*	810-2050	Orifice, Natural Gas #44 2.18mm
*	810-2060	Orifice, Natural/G20/G25 Gas #42 (CE only)
4	810-2032	Pilot Burner, Natural/G20/25 Gas (primary and trailing, 120V)
*	810-2155	Pilot Burner, LP/G31 Gas (primary and trailing)
*	812-1674	Pilot Burner, Mod. Natural Gas (electronic ignition)
*	809-0766	Nut, Keps 10-32 SS Hex (primary and trailing)
*	809-0845	Screw, 10-32 x 3/8" Hex Slotted Head (primary and trailing)
*	810-0705	Tube, Pilot Gas Supply, ¼" x 23" (one-piece gasline)
*	810-0703	Tube, Pilot Gas Supply, ¼" x 17½" (one-piece gasline)
*	810-2138	Valve, Trailing Pilot, Adjustable (trailing pilot only)
5	200-1314	Bracket, Manifold Support
*	200-1615	Bracket, Manifold Support (right or left)
6	210-5177	Diffuser Assembly
7	▶▶▶	<b>See Drain Manifold Components, Section 2.5</b>
8	810-2151	Burner, Left Side

\* Not illustrated.



**DECATHLON SERIES GAS FRYERS  
CHAPTER 2: PARTS LIST**

**2.1.4 Decathlon FPD65 Primary Components (cont.)**

ITEM	PART #	COMPONENT
9	810-2149	Burner, Center
10	810-2150	Burner, Right Side
11	200-1363	Heat Shield, Lower
*	824-0970	Heat Shield, Vessel
*	824-0969	Support, Burner
12	807-3552	Gas Valve, Natural Gas, Electronic Ignition, 24 VAC
*	807-3628	Gas Valve, LP Gas, Electronic Ignition, 24 VAC
*	807-3294	Gas Valve, Natural Gas, Constant Pilot, 24 VAC
*	807-3295	Gas Valve, LP Gas, Constant Pilot, 24 VAC
*	810-2156	Gas Valve, Natural Gas, 120 VAC
*	810-2323	Gas Valve, LP Gas, 120 VAC
*	807-2091	Gas Valve, G20/G25 Gas, 24 VAC (CE only)
*	807-2127	Gas Valve, G31 Gas, 24 VAC (CE only)
*	810-0691	Vent Tube
*	823-3347	Frame, Slide Base
13	200-3219	Channel, Rear and Front
*	200-1198	Channel, Base
*	200-1393	Channel, Lower Joiner
14	200-9886	Lower Hinge Bracket
*	823-5346	Hinge, Lower Left
*	823-5347	Hinge, Lower Right
*	823-5348	Hinge, Upper Left
*	823-5349	Hinge, Upper Right
15	211-4570	Side Panel, Left Side (unit exterior)
16	212-4570	Side Panel, Right Side (unit exterior)
*	201-4775	Side Panel, Left Side with Hole (unit interior)
*	202-4775	Side Panel, Right Side with Hole (unit interior)
*	201-4237	Panel, Inner Left (divider located over filter unit)
*	202-4237	Panel, Inner Right (divider located over filter unit)
17	824-1195	Wireway, Control Panel
18	▶▶▶	<b>See Control Panel Options, Joiner Strips, and Accessories, Section 2.2</b>
19	▶▶▶	<b>See Optional Components, Section 2.3</b>
20	824-0987	Top Cap
*	824-0937	Top Cap, Two-vat
*	106-2634SP	Flue Assembly
*	809-0997	Washer, 1/2 SAE "N" S/S
*	809-0169	Screw, #12 x 3/4" Hex Washer Slotted Head
*	809-0417	Nut, Flange 1/4-20 Serrated
*	809-0428	Screw, 1/4-20 x 1/2" Hex Head
21		Flue Box Assembly
*	200-1339	Front, Flue Box
*	200-1773	Back, Flue Box
*	200-1325	Shield, Flue Box
*	809-0167	Screw, Sheet Metal 10 A x 5/8 B
*	200-3649	Deflector, Flue (use screws 809-0437)
*	210-6525	Deflector, Flue, Chili's (use screws 809-0437)
22	106-1703SP	Flue Cap, Single System
*	823-3516	Flue Cap, Double System
23	106-2898SP	Door Assembly, with Liner

\* Not illustrated.

**DECATHLON SERIES GAS FRYERS  
CHAPTER 2: PARTS LIST**

**2.1.4 Decathlon FPD65 Primary Components (cont.)**

ITEM	PART #	COMPONENT
*	200-4794	Panel, Door, Inner
*	210-4792	Panel, Door, Outer
*	106-4721	Door Assembly, Left
*	200-4794	Panel, Door, Inner
*	211-8935	Panel, Door, Outer
*	106-4722	Door Assembly, Right
*	200-4794	Panel, Door, Inner
*	212-8935	Panel, Door, Outer
*	810-0180	Handle, Door, Chrome
*	809-0918	Screw, 10-24 x 1/2" Slotted Head (use with 810-2105)
*	809-0191	Washer, 1/4" Spring-lock (use with 810-2105)
*	200-1301	Pin, Door, 20" long
*	810-1105	Magnetic Catch/Plate, Door (offset)
24	803-0304	Fry Basket, 6 x 8 3/4" x 16 3/4"
25	803-0149	Grid Assembly, Mesh
*	810-2235	Grid Assembly, Rack
26	210-2737SP	Basket Hanger, Single System, no Splash Guard
*	823-4780	Basket Hanger, Chili's Single System, 6" Splash Guard
*	823-4999	Basket Hanger, Chili's Double System, 6" Splash Guard
*	823-4767	Splash Guard
27	810-0356	Caster, Plate-mount 5" without Brake
*	810-2406	Caster, Single Stud-mount 5" without Brake
28	810-0357	Caster, Plate-mount 5" with Brake
*	810-2405	Caster, Single Stud Mount 5" with Brake
*	826-1389	Screw, 1/4-20 x 3/4" Hex Head (for plate-mount casters, qty: 10)
29	812-1226SP	Drain Nipple, Extended
30	106-0913SP	Cordset, 10' Power
31	210-2804	Cover, Outlet Duct
32	200-1213	Upper Structural Back
*	200-1327	Lower Structural Back
33	810-2411	Leg, Single Bolt Mount (black)
*	806-3811	Leg Package, 4 Bolt Mount (4 per set)
34	823-3248	Leg Support Assembly
35	200-2065	Bracket, Burner Mounting
*	200-2308	Post, Door
*	201-1182	Gusset, Side Panel Left
*	202-1182	Gusset, Side Panel Right
*	200-1611	Base
*	210-2804	Duct, Door Access
*	200-2713	Plate, Suction Manifold
*	210-1180	Insert, Suction Manifold

\* Not illustrated.

**DECATHLON SERIES GAS FRYERS  
CHAPTER 2: PARTS LIST**

**2.1.5 Decathlon D80 Primary Components**

ITEM	PART #	COMPONENT
*	823-3494SP	Frypot - S/S 1 $\frac{1}{4}$ " Drain (D80, after 10/99)
*	826-1891	Frypot - S/S 1 $\frac{1}{4}$ " Drain (D80, before 10/99)
*	823-3396SP	Frypot - S/S 1 $\frac{1}{2}$ " Drain (D80, SCFD80)
2	810-2072	Gas Manifold (welded assembly)
3	810-2049	Orifice, Natural Gas #43 2.26 mm (non-CE D80G)
*	810-0710	Orifice, LP Gas #54 1.40 mm (non-CE D80G)
*	810-2161	Orifice, Natural Gas #38 2.58 mm (non-CE D80GHP)
*	810-2063	Orifice, LP Gas #52 1.61 mm (SCFD80G)
*	810-2060	Orifice, G20/G25 Gas (CE only)
*	810-2059	Orifice, G31 (CE only)
4	810-2032	Pilot Burner, Natural/G20/25 Gas (primary and trailing)
*	810-2155	Pilot Burner, LP/G31 Gas (primary and trailing)
*	812-1674	Pilot Burner, Mod. Natural Gas (electronic ignition)
*	809-0845	Screw, 10-32 x $\frac{3}{8}$ " Hex Slotted Head (primary and trailing)
*	812-1674	Tube, Pilot Gas Supply, $\frac{1}{4}$ " x 23" (one-piece gasline)
*	810-0705	Tube, Pilot Gas Supply, $\frac{1}{4}$ " x 20" (one-piece gasline)
*	810-0703	Tube, Pilot Gas Supply, $\frac{1}{4}$ " x 17 $\frac{3}{4}$ " (one-piece gasline)
*	810-2138	Valve, Trailing Pilot, Adjustable (trailing pilot only)
5	200-1314	Manifold Support Bracket
*	200-1615	Manifold Support Bracket (right or left)
6	210-5197	Diffuser Assembly
7	▶▶▶	<b>See Drain Manifold Components, Section 2.5</b>
8	810-2151	Burner, Left Side
9	810-2149	Burner, Center
10	810-2150	Burner, Right Side
11	200-2707	Heat Shield
*	200-1363	Lower Heat Shield
12	807-3552	Gas Valve, Natural Gas Electronic Ignition, 24 VAC
*	807-3628	Gas Valve, LP Gas Electronic Ignition, 24 VAC
*	810-2156	Gas Valve, Natural Gas, 120 VAC
*	810-2323	Gas Valve, LP Gas, 120 VAC
*	807-2091	Gas Valve, G20/25 Gas, 24 VAC (CE only)
*	807-2127	Gas Valve, G31 Gas, 24 VAC (CE only)
*	810-0691	Vent Tube
13	200-2686	Channel, Front and Rear
14	200-1675	Lower Hinge Bracket
*	823-5346	Hinge, Lower Left
*	823-5347	Hinge, Lower Right
*	823-5348	Hinge, Upper Left
*	823-5349	Hinge, Upper Right
15	211-2532	Side Panel, Left Side (D80)
16	212-2532	Side Panel, Right Side (D80)
*	201-4775	Side Panel, Left Side with hole (SCFD80)
*	202-4775	Side Panel, Right Side with hole (SCFD80)
*	211-4570	Side Panel, Left Side without hole (SCFD80)
*	212-4570	Side Panel, Right Side without hole (SCFD80)
17	824-0954	Wireway, Control Panel
18	210-2778	Control Panel, One Hole (D80)

\* Not illustrated.

**DECATHLON SERIES GAS FRYERS  
CHAPTER 2: PARTS LIST**

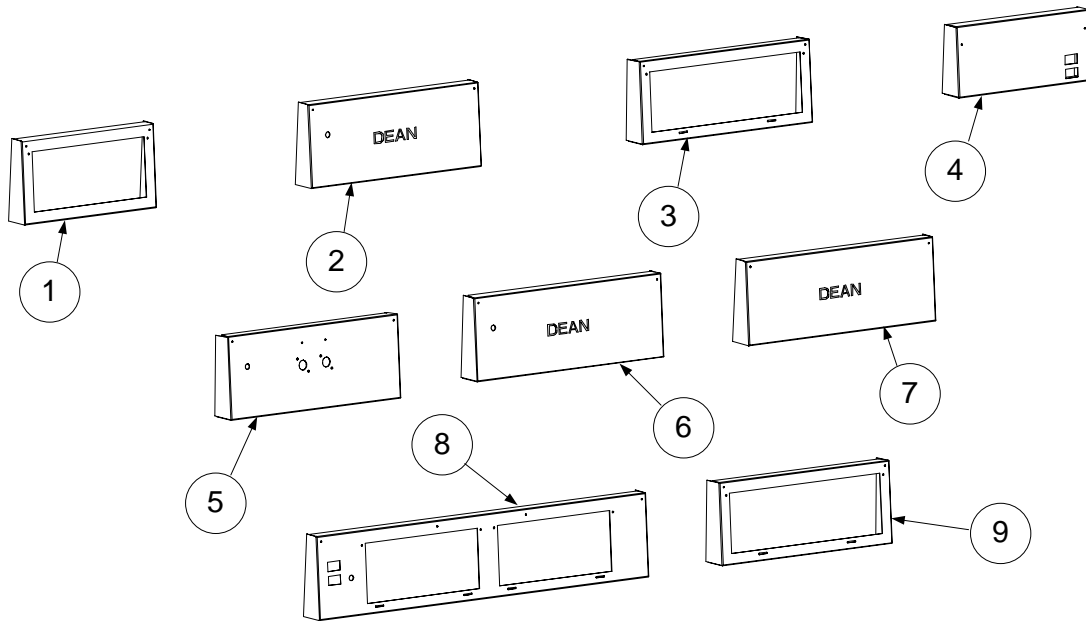
**2.1.5 Decathlon D80 Primary Components (cont.)**

ITEM	PART #	COMPONENT
*	210-2777	Control Panel, Two Holes (D80)
*	210-5061	Control Panel, One Hole (SCFD80)
*	210-5910	Control Panel, Two Holes (SCFD80)
19	▶▶▶	<b>See Optional Components, Section 2.3</b>
20	824-0986	Top Cap (D80/CFD80)
*	824-1013	Top Cap, 2-battery (SCFD80)
*	824-1007	Top Cap, 3-battery (SCFD80)
*	824-1006	Top Cap, 4-battery (SCFD80)
21	823-3659	Flue Box Assembly (D280, SCFD280)
*	106-1442SP	Flue Box Assembly (D380/480, CFD80, SCFD380/480)
*	200-1347	Front, Flue Box
*	200-1349	Back, Flue Box
*	200-1316	Shield, Flue Box
*	200-3645	Deflector, Flue
22	823-3512	Flue Cap (D80)
*	823-3659	Flue Cap (SCFD80)
23	106-1698SP	Door Assembly
*	210-1151	Panel, Outer Door
*	200-2688	Panel, Inner Door
*	810-0180	Door Handle, Chrome
*	809-0918	Screw, 10-24 x 1/2" Slotted Head (use with 810-2105)
*	809-0191	Washer, 1/4" Spring-lock (use with 810-2105)
*	200-1301	Pin, Door, Long (D80)
*	210-9889	Pin, Door (SCFD80)
*	810-0066	Magnetic Catch, Door (D80)
*	810-1105	Magnetic Catch, Door (SCFD80)
24	803-0304	Fry Basket, 6 x 8 <sup>3</sup> / <sub>4</sub> " x 16 <sup>3</sup> / <sub>4</sub> "
25	810-2122	Grid Assembly (mesh-style)
*	803-0300	Grid Assembly (rack-style)
26	200-3120	Hanger, Basket, Single System, M/S (D80)
*	210-2887	Hanger, Basket, Single System, S/S, no splash guard (SCFD80)
*	200-3119	Hanger, Basket, Double System, M/S (D80)
*	210-3117	Hanger, Basket, Double System, S/S (SCFD80)
27	810-0356	Caster, Plate-mount, 5-inch without Brake
*	810-2406	Caster, Single Stud-mount, 5-inch without Brake
28	810-0357	Caster, Plate-mount, 5-inch with Brake
*	810-2405	Caster, Single Stud-mount, 5-inch with Brake
*	826-1389	Screw, 1/4-20 x 3/4" Hex Head (for plate-mount casters, qty: 10)
29	812-1226SP	Drain Nipple, Extended, 1 1/4"
*	812-1717SP	Drain Nipple, Extended, 1 1/2"
30	106-0913SP	Cordset, 10' Power
31	210-2804	Cover, Outlet Duct
32	200-2683	Back, Upper Cabinet
*	200-2982	Back, Lower Cabinet
33	810-2411	Leg, Single Bolt Mount (black)
*	806-3811	Leg Package, 4 Bolt Mount (4 per set)
34	823-3248	Leg Support Assembly
35	200-2734	Burner Mounting Bracket
36	823-3649	Hanger, Basket with 6" Splash Guard

\* Not illustrated.

## DECATHLON SERIES GAS FRYERS CHAPTER 2: PARTS LIST

### 2.2 Control Panel Options, Joiner Strips, and Accessories



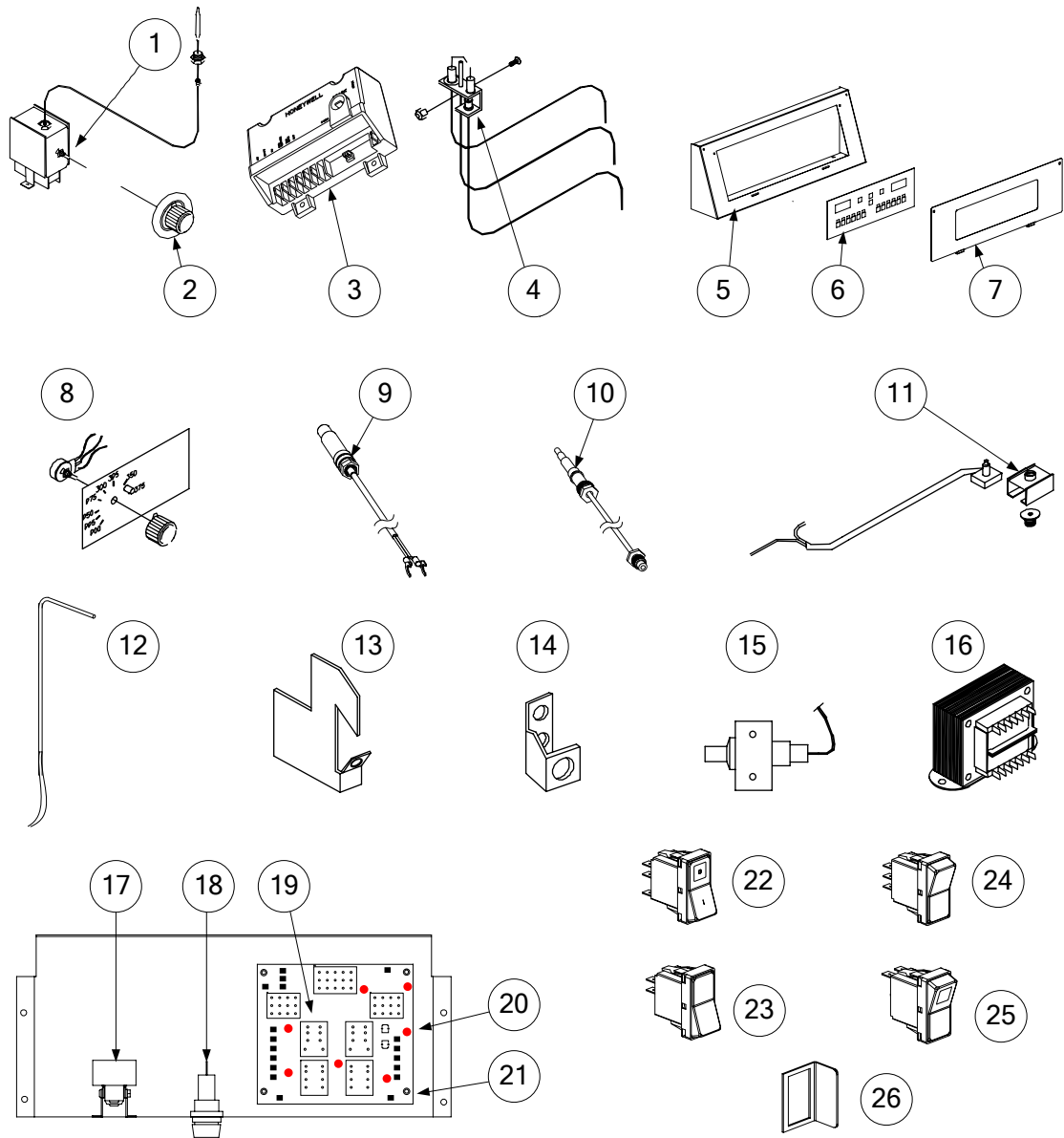
ITEM	PART #	COMPONENT
<b>Control Panels</b>		
1	210-3562	Controller (D50)
2	210-3021	Solid, with Indicator Light (D60)
3	210-6405	Controller (D60, D65)
4	210-2051	McDonald's™ (D50)
5	210-4672	Basket Lift, with Thermatron Controller (D60)
6	210-5061	Solid, with Indicator Light (D80)
7	210-5910	Solid, for Matching Cabinet (D80)
8	210-3910	Controller (15MC/50/20)
9	210-1256	Controller (SCFD60/150)
<b>Joiner Strips</b>		
	210-4847	D50/D50
	211-4816	2424/D50
	212-4816	D50/2424
	210-3327	D20/D50
	210-3017	DD50/D60/D80
	210-1679	SM/D220
<b>Accessories</b>		
*	823-3938	Crumb Scoop, Split Pot
*	106-2631SP	Sediment Tray
*	823-3947	Chicken Crisper, D60

\* Not illustrated.

# DECATHLON SERIES GAS FRYERS

## CHAPTER 2: PARTS LIST

### 2.3 Optional Components and Controllers



ITEM	PART #	COMPONENT
1	826-2013	Thermostat, Sunne
2	810-2035	Knob, Thermostat
3	826-2117	Spark Module, Domestic and CE (Rajah Connector, 807-3484)
*	807-3484	Rajah Connector (for Blue/Gray Honeywell module, 807-4037, no longer avail.)
4	807-1311	Pilot Assembly, Natural Gas with Electronic Ignition
*	807-1553	Pilot Assembly, LP Gas with Electronic Ignition
*	807-1315	Ignition Cable (for computer operated fryers)
*	810-0705	Tube, 1/4" x 20" One Piece Pilot Gas Supply
*	807-1310	Flame Sensor

\* Not illustrated.

**DECATHLON SERIES GAS FRYERS  
CHAPTER 2: PARTS LIST**

**2.3 Optional Components and Controllers (cont.)**

ITEM	PART #	COMPONENT
*	803-0278	Brush, L-shaped
*	803-0197	Fryer's Friend
*	803-0293	Gloves
*	106-1839SP	Pilot Assembly (w/computer and electronic ignition), Natural
*	106-1128	Pilot Assembly (w/computer and electronic ignition), LP
*	106-1235	Pilot Assembly (without computer), Natural
*	KIT0092	Air Shutter Kit
5	210-3562	Control Panel, Computer (D50)
*	210-1256	Control Panel, Computer (D60)
*	823-1800	Control Panel, Computer (FPD65)
*	210-1520	Control Panel, Computer (D80)
6	106-6609	Computer, Compu-Fry III.5, Full-vat
*	806-8305	Computer, CM4-S
*	806-8308	Computer, CM4-S (FPD65)
*	806-5139	Computer, Remote
*	806-4807	Computer, Compu-Fry III.5, Dual-vat
*	806-4803	Cable Assembly, Compu-Fry to Interface Board
7	823-3433	Bezel Assembly, Control Panel
*	910-7283	Bezel Assembly, Control Panel (FPD65)
8	106-0802SP	Face Plate/Potentiometer, 120 VAC Electronic Thermostat
*	820-0135	Face Plate, Electronic Thermostat
*	106-0801	Potentiometer, Electronic Thermostat (molex connector; with trim resistor)
*	106-5809	Potentiometer, Electronic Thermostat (molex connector; without trim resistor)
*	816-0534	Knob, Control, Electronic Thermostat
9	807-3485	Thermopile
*	807-1026	Sound Device
*	806-4803	Cable Assembly (Harness)
10	812-1284	Thermocouple (CE ONLY)
*	807-3550	Thermocouple
11	106-1768SP	ECO Connector, Honeywell Valves Only (CE ONLY)
*	810-2398	ECO Connector, Robertshaw Valves Only (CE ONLY)
12	106-5419SP	Probe Assembly, GO (D20, D50, D60, D80)
*	106-1976	Probe Assembly, Temperature, New Design, 4-pin (D60 & D80)
*	106-1424	Probe Assembly (RTD), Temperature (Dean computer)
*	106-1261SP	Harness Assembly, GO Probe
*	810-2164	Spring, Space, Electronic Thermostat Probe
*	210-1386	Clamp, Electronic Thermostat Probe
13	210-6564	Bracket, Pilot Thermocouple
14	810-2401	Bracket, Thermopile
15	810-1001	Piezo Ignitor (trigger)
*	200-1868	Piezo Bracket
*	807-3540	Electrode, Piezo
16	807-3551	Transformer, Honeywell 120/24 VAC (threaded mounting/electronic ignition)
*	807-0855	Transformer, 120/12 VAC
*	807-0800	Transformer, 120/24 VAC
*	807-1999	Transformer, Dual CE (CE ONLY, 208-240/12-24V)
17	807-3560	High-limit Thermostat, Manual Reset 410° F (CE)
*	807-3680	High-limit Thermostat, Manual Reset 450° F (NON-CE, 1998-present)
*	807-3559	High-limit Thermostat, Manual Reset 435° F (pre-1998)

\* Not illustrated.

**DECATHLON SERIES GAS FRYERS  
CHAPTER 2: PARTS LIST**

**2.3 Optional Components and Controllers (cont.)**

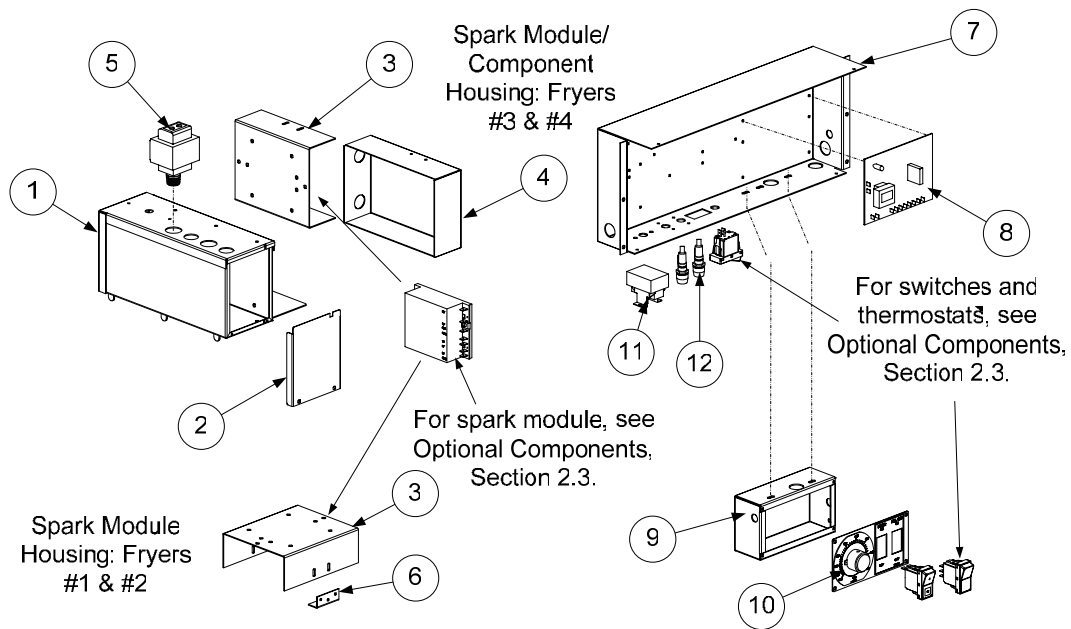
ITEM	PART #	COMPONENT
*	810-2046	Spring, Spacer, High-limit Capillary Bulb
*	810-2047	Spring, Spacer, Thermostat Capillary Bulb
*	210-1433	Clamp, Thermostat/High-limit Capillary Bulb
18	807-1321	Fuse Holder, Buss
*	2747	Fuse Holder, Slot-head, Safety (CE ONLY)
*	807-3592	Fuse 2A Slow-blow (230V systems)
*	807-3750	Fuse 5A (120V systems)
19	106-6710	Interface Board, Dean Computer Only
20	807-0834	Relay, 12VDC 15A 1PDT (basket lift)
21	807-0833	Relay, 12VDC 5A 1PDT (latching)
*	807-4114	Relay, 24VAC Coil, Reset
22	807-3574	Switch, Power (green lens)
23	807-3580	Switch, Rocker, Manual Filter Power
24	807-3579	Switch, Six-terminal Boil-out
25	807-3576	Switch, Fryer Reset (momentary)
*	807-3578	Switch, 3-position, ON-OFF-ON
*	807-3582	Indicator Light, Green
*	807-3581	Indicator Light, Red
*	807-3611	Pump Relay
*	807-3578	Socket, Pump Relay
*	807-3575	Switch Insert, Blank
26	210-2786	Switch Guard (for Items 22-25, optional)

\* Not illustrated.



**DECATHLON SERIES GAS FRYERS  
CHAPTER 2: PARTS LIST**

**2.4 Transformers & Component Boxes; Multi-batteried Decathlons**



ITEM	PART	COMPONENT
1	823-3242	Control Box (D50/CFD50/SCFD50)
*	106-2691	Control Box (FPD65)
2	210-1364	Plate, Face (for Item 1)
*	210-2966	Plate, Face (for Item 1, FPD65)
3	200-1322	Bracket, Spark Module
4	200-1326	Cover, Spark Module (Fryers 3 & 4)
5	807-3551	Transformer
6	200-2307	Bracket, Spark Module Attachment (Fryers 1 & 2)
7	824-0961	Wireway, Control Panel (D50)
*	824-0951	Wireway, Control Panel (D60)
*	824-1195	Wireway, Control Panel (SCFD models)
*	824-1162	Wireway, Control Panel (D80)
8	826-2086	Thermatron Board, 115/230V
*	106-3729	Thermatron Board, 24V, Melt Cycle
*	826-2088	Kit, Thermatron, 24V
*	826-2031	Kit, Thermatron, 115/220V
9	200-3212	Housing, Electronic Thermostat, Two Cut-outs
10	210-3214	Face Plate, Electronic Thermostat, Power/Boil-out
*	807-3536	Potentiometer, Electronic Thermostat (spade terminals; with trim resistor)
*	106-0801	Potentiometer, Electronic Thermostat (molex connector; with trim resistor)
*	106-5809	Potentiometer, Electronic Thermostat (molex connector; without trim resistor)
*	816-0534	Knob, Electronic Thermostat Potentiometer
11	807-3680	High-limit Thermostat, Manual Reset 450° F (non-CE only)
*	807-3559	High-limit Thermostat, Manual Reset 435° F
*	807-3560	High-limit Thermostat, Manual Reset 410° F (CE only)
*	106-1131SP	Harness, Spark Module
*	807-3592	Fuse, 2A, Slow Blow
*	807-3577	Circuit Breaker, 7 amp

\* Not illustrated.

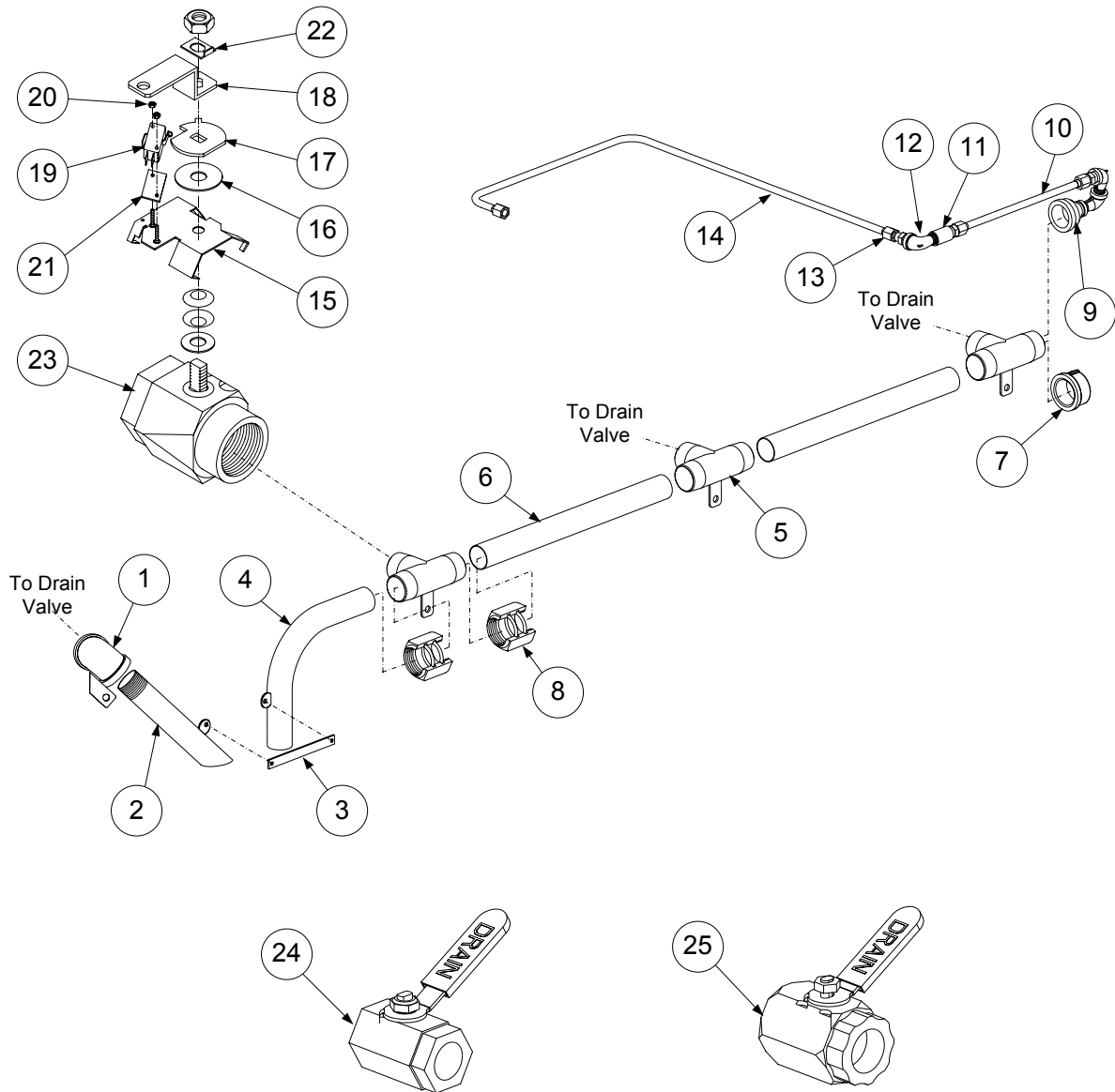
# DECATHLON SERIES GAS FRYERS

## CHAPTER 2: PARTS LIST

During the transition phase, some Decathlon series fryers were equipped with 3" round drain systems while others were equipped with 1.5" round drain systems. Compare the fryer in question with the illustrations on pages 2-18 to 2-29 to determine which system it uses.

### 2.5 Oil Drain Manifold Components

#### 2.5.1 1.5" Oil Drain Manifold, Drain Flush, and Drain Valve Components



**DECATHLON SERIES GAS FRYERS  
CHAPTER 2: PARTS LIST**

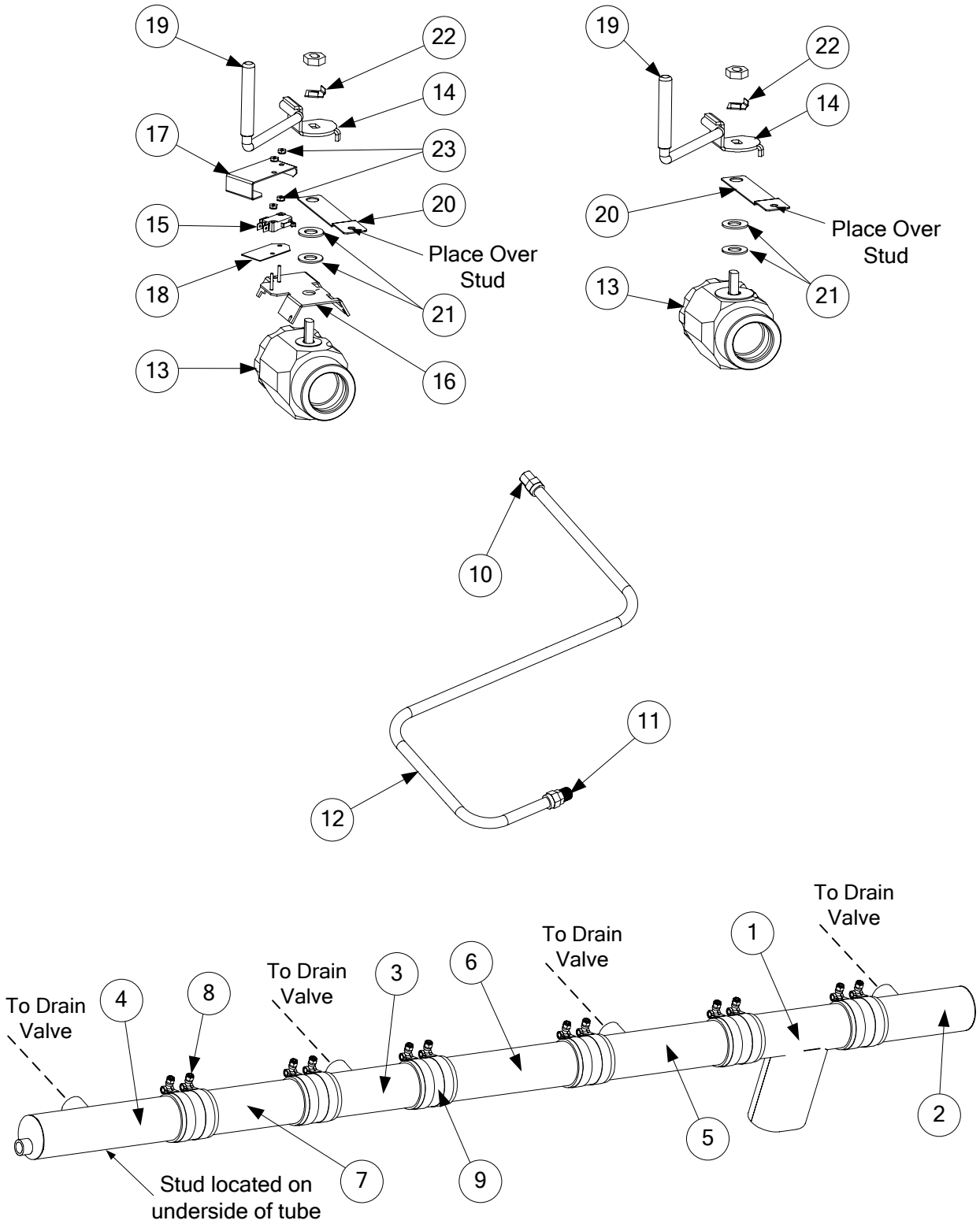
**2.5.1 1.5" Oil Drain Manifold, Drain Flush, and Drain Valve Components (cont.)**

ITEM	PART #	COMPONENT
1	823-3221	Elbow with Bracket, Left
*	823-3222	Elbow with Bracket, Right
2	823-5167	Drain Pipe, Left Side
3	210-2311	Clamp, Center Drain Pipe
4	823-4931	Drain Pipe, Right Side
5	813-0749	Tee, 1½" NPT With Handle Bracket
6	200-5621	Drain Manifold Tube, 17"
*	200-1827	Drain Manifold Tube, 13"
7	813-0659	Pipe Cap, 1½"
*	813-0391	Nipple, 1 ¼" x Close
*	813-0748	Tee, 1 ½" NPT x 1 ¼" NPT (with handle bracket)
8	809-0884	Nut, Slip-joint 1½"
*	816-0544	O-ring, Slip-joint Nut
9	813-0686	Bell Reducer, 1½" x ½" NPT
10	810-1057	Flex Line, ⅝" x 13"
11	813-0051	Coupling, ½" NPT
12	813-0165	Elbow, Street ½" x ½" 90°
13	810-1668	Adapter, ⅝" O.D. x ½" Male (use with 810-1057 and 810-1069)
*	810-1669	Adapter, ⅝" O.D. x ½" Female (use with 810-1057 and 810-1069)
14	810-1069	Flex Line, ⅝" x 29½"
*	806-6849	Tilt Switch, Drain Valve
<b>DRAIN VALVE COMPONENTS</b>		
15	106-1401	Bracket, Microswitch (optional on some units)
16	200-1617	Washer, Drain Valve (use without microswitch)
17	210-2029	Bracket, Microswitch Activator
18	210-4727	Handle (Actuator), Drain Valve, Round
*	823-3405	Handle (Actuator), Drain Valve, Flat
*	823-3440	Handle, Push/Pull Drain
*	809-0885	Washer, ⅜" x 1 x .083"
*	809-0843	Cotter Pin
*	816-0547	Cap, Red Vinyl for Handle
19	807-2104	Microswitch (optional on some units)
20	809-0842	Nut, Nylock #4-40 (microswitch to bracket)
21	816-0220	Insulation, Microswitch
22	200-1257	Retainer, Nut
23	810-2127	Drain Valve, 1½" Full Port (with washers & nut)
24	810-2052	Drain Valve, 1¼" (1" standard port)
*	810-1338	Drain Valve, 1" (D20 only)
*	200-2371	Handle, Valve Lever (for use with 810-1338 and 823-3440 only)
25	810-2126	Drain Valve, 1¼", Full Port
*	810-1018	Drain Valve, 1¼", Left
*	210-2342	Drain Extension, Left
*	210-2343	Drain Extension, Right

\* Not illustrated.

DECATHLON SERIES GAS FRYERS  
CHAPTER 2: PARTS LIST

2.5.2 3" Oil Drain Manifold, Drain Flush, and Drain Valve Components



**DECATHLON SERIES GAS FRYERS  
CHAPTER 2: PARTS LIST**

**2.5.2 3" Oil Drain Manifold, Drain Flush, and Drain Valve Components (cont.)**

ITEM	PART #	COMPONENT
1	823-4712	Tube, 3" Oval Dump
2	823-4681	Tube, 3" Right Drain (8.06" long, closed end)
3	823-4682	Tube, 3" Center Drain (8" long, open ends)
4	823-4844	Tube, 3" Left Drain (12.44" long, closed end)
5	823-5188	Tube, 3" Right Filter (10.38" long, open ends)
6	200-6603	Tube, 3" Joiner (11.5" long)
7	200-9365	Tube, 3" Joiner (8.63" long)
8	809-0969	Clamp, T-bolt
9	816-0625	Boot/Sleeve
*	106-2568SP	Wash Down Hose Assembly
*	106-1837	Quick Disconnect, Female
*	813-0699	Quick Disconnect, Male
*	810-1434	Hose Assembly
*	106-1454	Nozzle Assembly, Hose with Handle
*	106-1227	Heater Strip 120V, 25W, 36"
	106-1726	<b>Flush Oil Drain Line</b>
10	810-1669	Adapter, Female $\frac{5}{8}$ " O.D. x $\frac{1}{2}$ " Long
11	810-1668	Adapter, Male $\frac{5}{8}$ " O.D. x $\frac{1}{2}$ " Long
12	810-1056	Flexline, $\frac{5}{8}$ " O.D. x 52.5" Long
	106-3976	<b>Drain Valve Assembly, <math>1\frac{1}{2}</math>" without Microswitch</b>
	106-3977	<b>Drain Valve Assembly, <math>1\frac{1}{2}</math>" with Microswitch</b>
13	810-2783	Drain Valve, $1\frac{1}{2}$ " Full Port with O-ring
14	823-4734	Handle, Drain Valve Rotating
15	807-2104	Microswitch, CE Micro-roller Lever
16	106-1401	Microswitch Bracket Assembly
17	200-4402	Guard, Drain Microswitch
18	816-0220	Insulation, RF Switch
19	816-0547	Cap, Red Vinyl for Handle
20	200-6116	Strap, $1\frac{1}{2}$ " (holds tube to valve via the stud)
21	200-1617	Washer, Drain Microswitch
22	200-1257	Retainer, Drain Valve
23	826-1366	Nut, 4-40 Keps Hex w/External Teeth ( <i>pkg. of 25</i> )
*	816-0630	Cap, Vinyl (one per clamp, covers T-bolt threads)

\* Not illustrated.

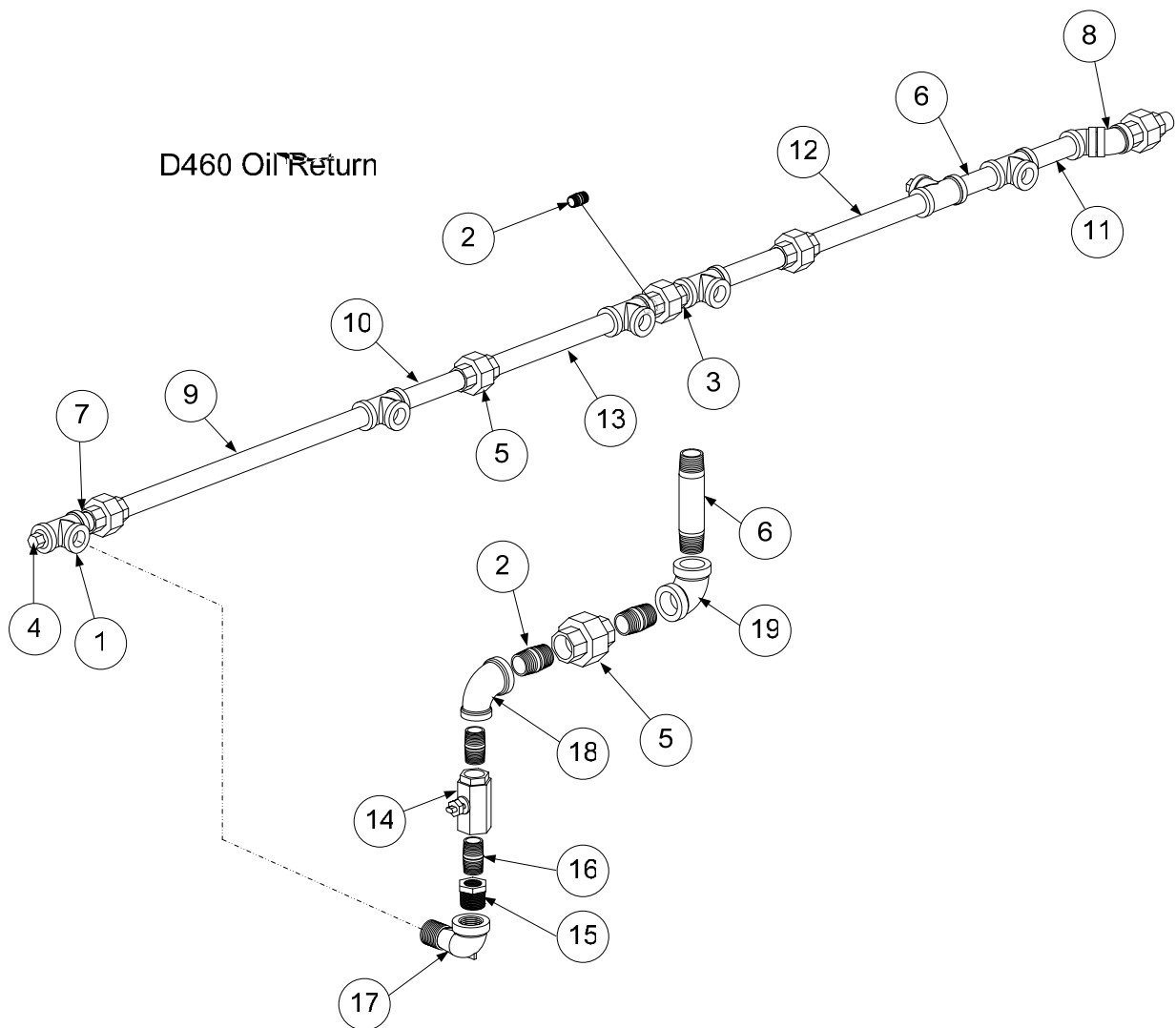
# DECATHLON SERIES GAS FRYERS

## CHAPTER 2: PARTS LIST

During the transition phase, some Decathlon series fryers were equipped with 3" round drain systems while others were equipped with 1.5" round drain systems. Compare the fryer in question with the illustrations on pages 2-18 to 2-29 to determine which system it uses.

### 2.6 Oil Return Manifold Components

#### 2.6.1 Oil Return Manifold Components; D & FPD65 Models



**DECATHLON SERIES GAS FRYERS  
CHAPTER 2: PARTS LIST**

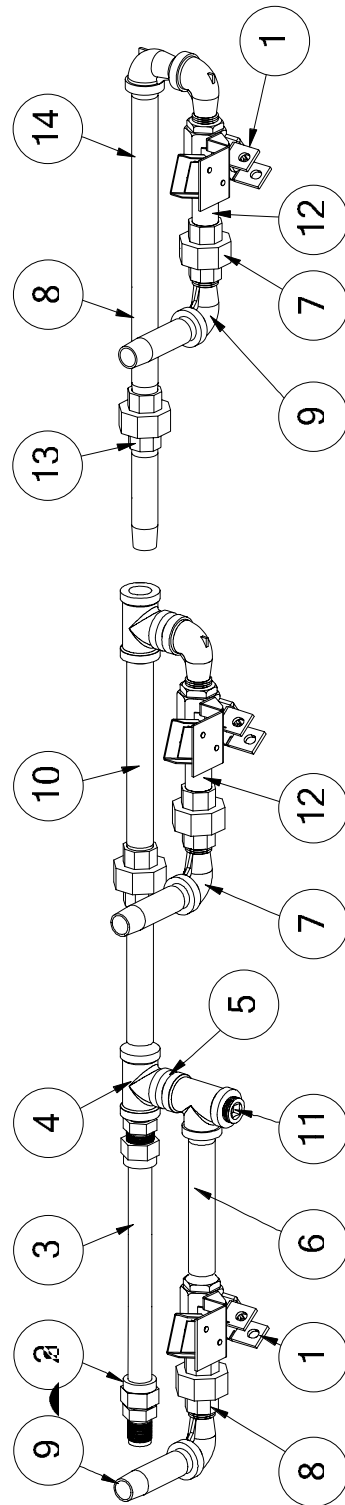
**2.6.1 Oil Return Manifold Components; D & FPD65 Models (cont.)**

ITEM	PART #	COMPONENT
1	813-0003	Tee, 1/2" x 1/2" x 1/2" NPT BM
2	813-0022	Nipple, 1/2" NPT x Close BM
3	813-0087	Nipple, 1/2" NPT x 1 1/2" BM
4	813-0156	Plug, 1/2" NPT Hex Head BM
5	813-0173	Union, 1/2" NPT BM
6	813-0247	Nipple, 1/2" NPT x 3 1/2" BM
7	813-0298	Nipple, 1/2" NPT x 2" BM
8	813-0345	Elbow, 1/2" NPT 45° BM
9	813-0368	Nipple, 1/2" NPT x 16" BM
10	813-0646	Nipple, 1/2" NPT x 5" BM
11	813-0654	Nipple, 1/2" x 4" NPT BM
12	813-0672	Nipple, 1/2" x 8" NPT BM
13	813-0673	Nipple, 1/2" x 8 1/2" NPT BM
14	810-2125	Oil Return Valve, 3/8"
*	200-1143	Retainer, Oil Return Valve Nut
*	809-0877	Nut, Oil Return Valve
15	813-0006	Bushing, Hex 1/2" x 3/8" NPT BM
16	813-0625	Nipple, 3/8" x Close NPT BM
17	813-0165	Elbow, Street 1/2" x 1/2" NPT 90° BM
18	813-0634	Elbow, 1/2" x 3/8" NPT 90° BM
19	813-0062	Elbow, 1/2" NPT 90° BM

\* Not illustrated

DECATHLON SERIES GAS FRYERS  
CHAPTER 2: PARTS LIST

2.6.2 Oil Return Manifold Components; SCFD, CFD, & FPD65 Models





**DECATHLON SERIES GAS FRYERS  
CHAPTER 2: PARTS LIST**

**2.6.2 Oil Return Manifold Components; SCFD, CFD, & FPD65 Models (cont.)**

ITEM	PART #	COMPONENT
	106-4100	Oil Return Assembly – Middle
	106-4101	Oil Return Assembly – End
1	106-4006	Valve Assembly, 1/2" Oil Return (see Page 2-21)
*	106-3997	Valve Assembly (use with wand)
*	106-5516	Valve Assembly, 3-way Oil Return
*	106-5231	Valve Assembly, FPD
2	810-1668	Adapter, Male 5/8" OD x 1/2"
3	810-2320	Flexline, 5/8" x 9.00" Long
4	813-0003	Tee, 1/2" x 1/2" x 1/2" BM
5	813-0022	Nipple, 1/2" x Close NPT BM
6	813-0096	Nipple, 1/2" x 6.00" NPT BM
7	813-0165	Elbow, Street 1/2" x 1/2" NPT 90° BM
8	813-0173	Union, 1/2" NPT
9	813-0247	Nipple, 1/2" x 3.50" NPT BM
10	813-0362	Nipple, 1/2" NPT x 7.50" BM
11	813-0463	Plug, 1/2" Counter Sink
12	813-0661	Nipple, 1/2" x 2.25" NPT BM
13	813-0654	Nipple, 1/2" x 4.00" NPT BM
14	813-0597	Nipple, 1/2" x 11.50" NPT BM
*	810-2125	Ball Valve, 3/8" Drain
*	813-0006	Bushing, 1/2" to 3/8" NPT BM Hex Reducing
*	813-0062	Elbow, 1/2" 90° BM
*	810-1067	Flexline, 8.5" Oil Return
*	810-1055	Flexline, 11.5" Oil Return
*	810-1400	Flexline, 21.00" Oil Return
*	810-1056	Flexline, 52.5" Oil Return
*	810-2320	Flexline, 9.00" Oil Return
*	813-0087	Nipple, 1/2" x 1.50" NPT BM
*	813-0460	Nipple, 1/2" x 3.00" NPT BM
*	813-0625	Nipple, 3/8" NPT x CL Black CLS
*	813-0672	Nipple, 1/2" x 8.00" NPT BM
*	813-0607	Nipple, 1/2" x 23.5" NPT BM
*	813-0099	Nipple, 1/2" x 7.00" NPT BM
*	813-0845	Nipple, 1/2" x 29.75" NPT BM
*	813-0646	Nipple, 1/2" x 5.00" NPT BM
*	813-0373	Nipple, 1/2" x 11.00" NPT BM
*	813-0298	Nipple, 1/2" x 2.00" NPT BM
*	813-0098	Nipple, 1/2" x 6.50" NPT BM
*	813-0742	Nipple, 1/2" x 5.50" NPT BM
*	813-0515	Nipple, 1/2" x 12.00" NPT BM
*	813-0265	Nipple, 1/2" x 2.50" NPT BM
*	813-0093	Nipple, 1/2" x 4.00" NPT BM
*	813-0281	Nipple, 1/2" x 5.00" NPT BM
*	813-0368	Nipple, 1/2" x 16.00" NPT BM
*	813-0644	Nipple, 3/8" x 1.5" NPT BM
*	813-0673	Nipple, 1/2" x 8.5" NPT BM
*	813-0698	Nipple, 1/2" x 10.5" NPT BM

\* Not illustrated.

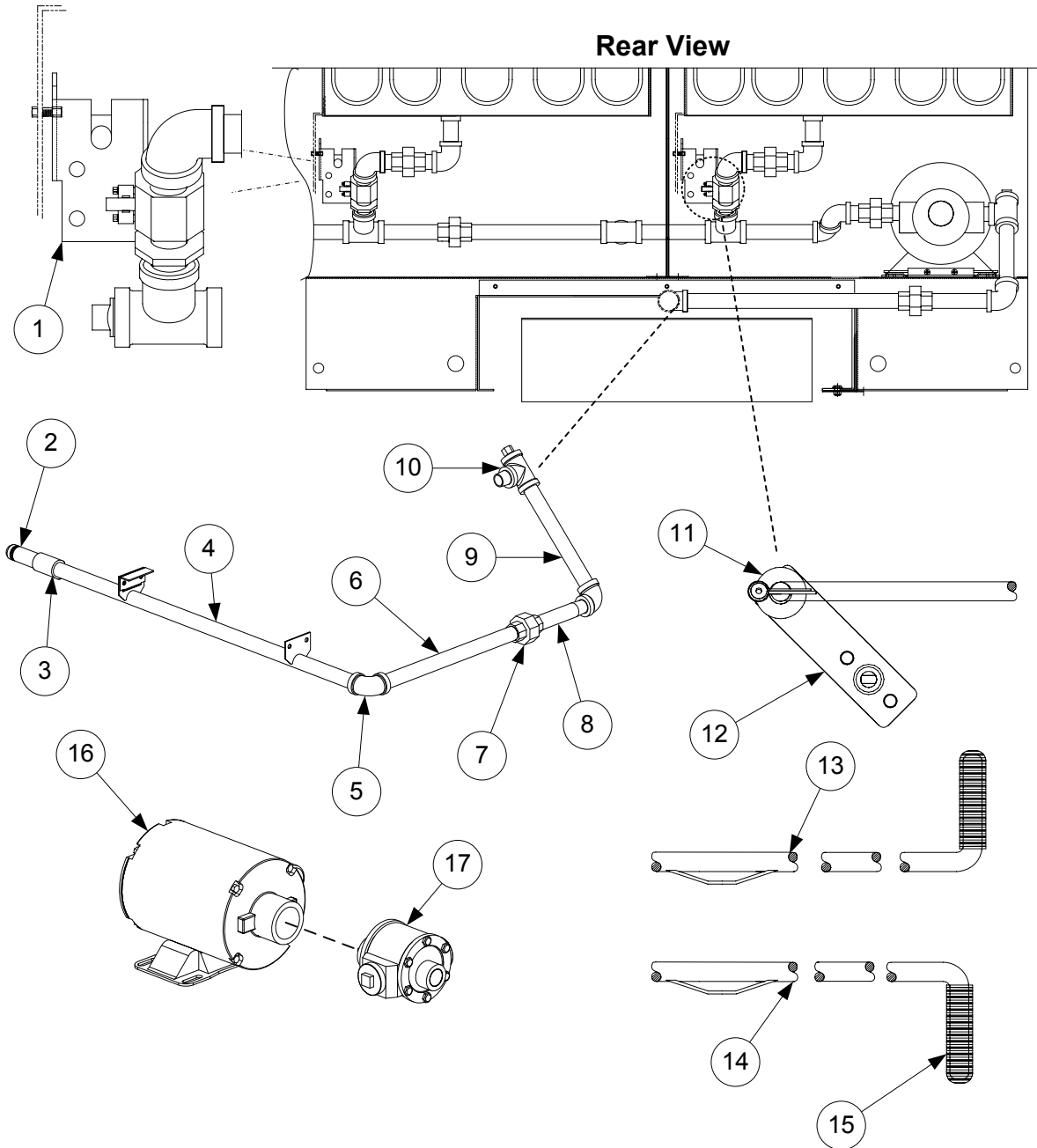
# DECATHLON SERIES GAS FRYERS

## CHAPTER 2: PARTS LIST

During the transition phase, some Decathlon series fryers were equipped with 3" round drain systems while others were equipped with 1.5" round drain systems. Compare the fryer in question with the illustrations on pages 2-18 to 2-29 to determine which system it uses.

### 2.7 Oil Return and Oil Flush Components

#### 2.7.1 Oil Return and Oil Flush Components; D & FPD65 Models



**DECATHLON SERIES GAS FRYERS  
CHAPTER 2: PARTS LIST**

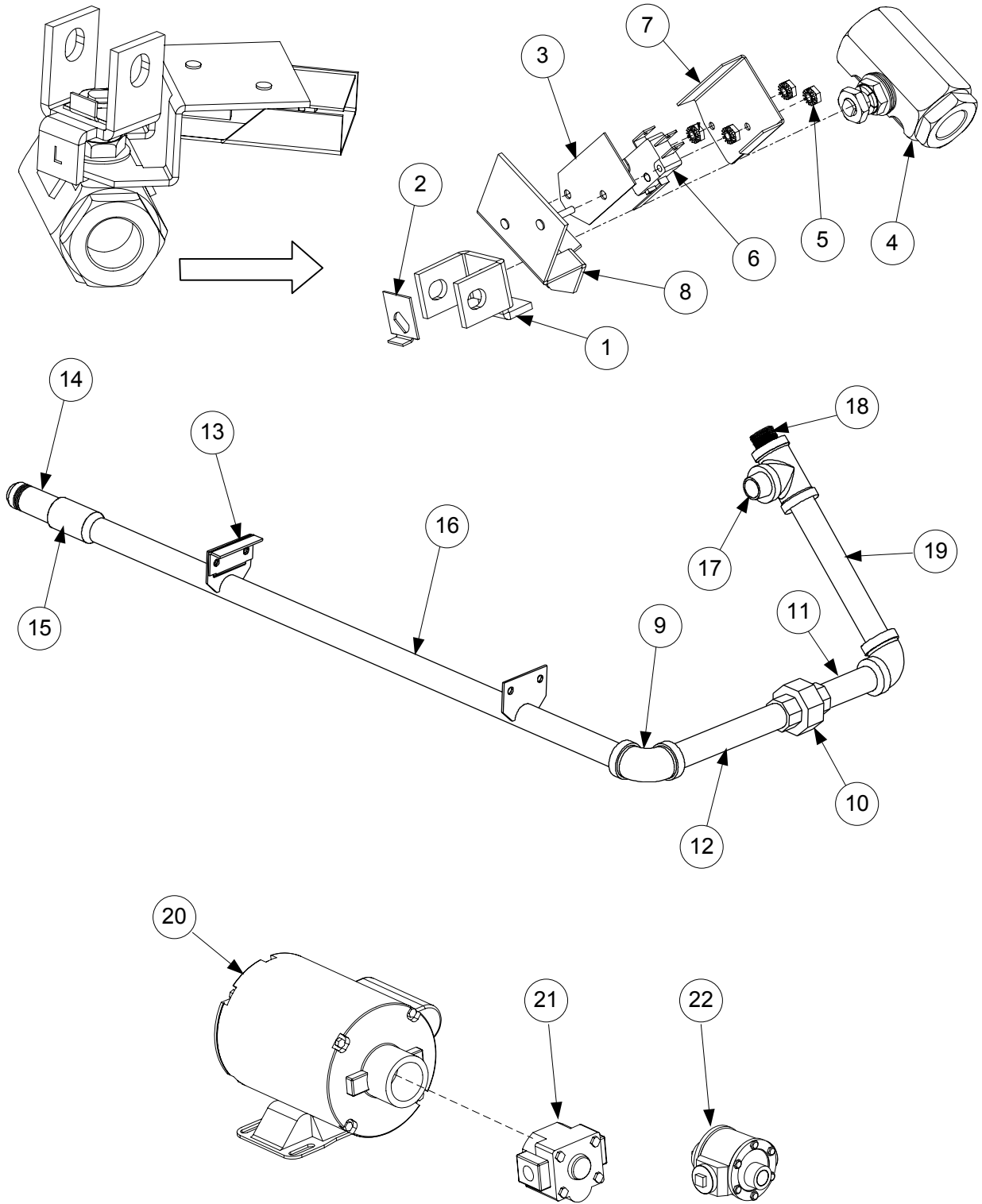
**2.7.1 Oil Return and Oil Flush Components; D & FPD65 Models (cont.)**

ITEM	PART #	COMPONENT
1		<b>Microswitch Bracket Assembly, Oil Return</b>
	106-1824	Bracket, Oil Return Microswitch, Left
	106-3595	Bracket, Oil Return Microswitch, Right
	201-4455	Bracket, Oil Return Microswitch, Left (FPD)
	202-4455	Bracket, Oil Return Microswitch, Right (FPD)
	810-2144	Spacer, 4-40 $\frac{1}{4}$ " x $\frac{3}{8}$ " Aluminum
	807-2104	Microswitch, Oil Return
	809-0846	Screw, 4-40 x 1" Slotted Head
	809-0842	Nut, 4-40 Nylock
	200-1341	Bracket, Microswitch Rod
	809-0360	Screw, #8 x $\frac{3}{8}$ " Hex Washer Slotted Head
	826-1389	Screw, $\frac{1}{4}$ -20 x $\frac{3}{4}$ " Hex Head
	809-0428	Screw, $\frac{1}{4}$ -20 x $\frac{1}{2}$ " Hex Head
	809-0823	Nut, $\frac{1}{4}$ -20 Nylock
	809-0070	Nut, $\frac{1}{4}$ -20 Hex SS
2	810-0697	Disconnect, Male Suction Tube
*	826-1392	O-rings, for Male Disconnect ( <i>pack of 5</i> )
3	813-0608	Coupling, Full, $\frac{1}{2}$ " NPT BM
4	823-3188	Suction Manifold Assembly
5	813-0062	Elbow, 90° BM
6	813-0515	Nipple, $\frac{1}{2}$ " NPT x 12" BM
7	813-0173	Union, $\frac{1}{2}$ " NPT BM
8	813-0251	Nipple, $\frac{1}{2}$ " NPT x 4 $\frac{1}{2}$ " BM
9	813-0672	Nipple, $\frac{1}{2}$ " NPT x 8" BM
10		<b>Oil Suction Start Fitting</b>
*	813-0022	Nipple, $\frac{1}{2}$ " NPT x Close
*	813-0156	Plug, $\frac{1}{2}$ " NPT Hex Head
*	813-0003	Tee, $\frac{1}{2}$ " NPT BM
11	809-0885	Washer, $\frac{3}{8}$ " x 1" x .083"
*	809-0843	Cotter Pin, Plated
12	823-3344	Handle (Actuator), Oil Return Valve
13	823-3187	Handle, Oil Return Left Fryer (UFF System)
14	823-3198	Handle, Oil Return Right Fryer (UFF System, Fryer 3 & 4)
*	823-3481	Handle, Oil Flush Valve
*	816-0547	Cap, Drain Valve Handle, Red
15	816-0548	Cap, Oil Return Handle, Yellow
*	816-0549	Cap, Oil Flush Handle, Blue
16	810-2100	Motor, Pump 120-230V
17	810-2098	Pump, 8 GPM
*	810-2252	Pump, Chili's, 5 GPM

\* Not illustrated.

DECATHLON SERIES GAS FRYERS  
CHAPTER 2: PARTS LIST

2.7.2 Oil Return and Oil Flush Components; SCFD, CFD, & FPD65 Models



**DECATHLON SERIES GAS FRYERS  
CHAPTER 2: PARTS LIST**

**2.7.2 Oil Return and Oil Flush Components; SCFD, CFD, & FPD65 Models (cont.)**

ITEM	PART #	COMPONENT
	106-4006	<b>Microswitch Bracket Assembly, Oil Return</b>
1	901-2772	Handle, RF Left
2	900-2935	Retainer, Nut
3	816-0220	Insulation, RF Switch
4	810-0278	Ball Valve, 1/2" Oil Return
5	826-1366	Nut, 4-40 Keps Hex w/External Teeth (pkg. of 25)
6	807-2103	Microswitch, Straight Lever (CE)
7	200-6806	Cover, Safety Switch
8	106-3962	Bracket Assembly, RF Switch
	106-1225SP	<b>Oil Suction Assembly</b>
9	813-0062	Elbow, 90° BM
10	813-0173	Union, 1/2" NPT 150# BM
11	813-0654	Nipple, TBE 1/2" NPT x 4" Black
12	813-0674	Nipple, TBE 1/2" NPT x 7 1/4" Black
13	200-1230	Bracket, Front Male Manifold
	106-0774SP	<b>Suction Manifold Assembly</b>
14	810-0697	Disconnect, Male Suction Tube
*	826-1392	O-rings, for Male Disconnect ( <i>pack of 5</i> )
15	813-0608	Coupling, 1/2" NPT BM Full
16	823-3188	Suction Manifold
	106-0858	<b>Oil Suction Start Fitting</b>
17	813-0022	Nipple, 1/2" NPT x Close
18	813-0463	Plug, 1/2" Counter Sink
19	813-0003	Tee, 1/2" NPT BM
*	210-8790	Bracket, Oil Return/Flush Retainer
*	200-8929	Handle, Oil Return
*	200-9850	Handle, Oil Return (Application Series "DF" fryers)
*	816-0548	Cap, Oil Return Handle, Yellow
*	816-0637	Cap, Oil Return Handle, Blue
		<b>Pump and Motor</b>
20	810-2100	Motor
21	810-2252	Pump, Chili's, 5GPM
22	810-2098	Pump, 8GPM

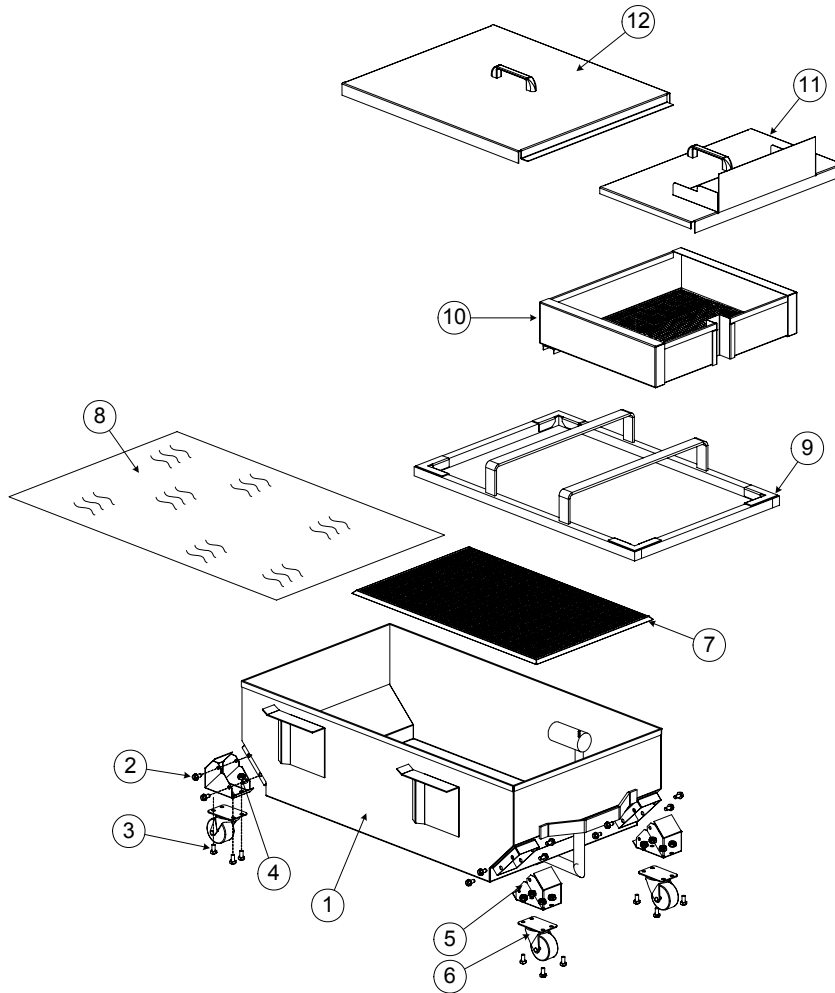
\* Not illustrated.

# DECATHLON SERIES GAS FRYERS

## CHAPTER 2: PARTS LIST

### 2.8 UFF Filtration Components

#### 2.8.1 UFF Filtration Components; D50 Series Fryers

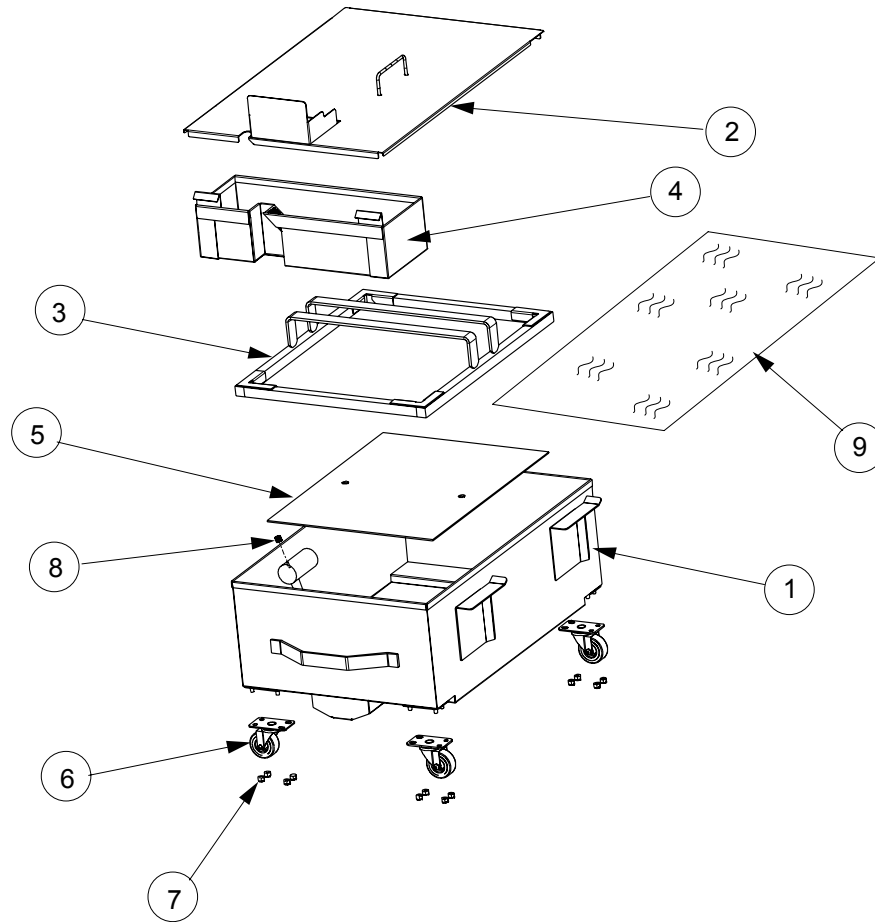


ITEM	PART #	COMPONENT
1	106-2115SP	Filter Pan
2	809-0805	Screw, 1/4-20 x 1/2"
3	809-0428	Screw, 1/4-20 x 1/2" Steel
4	809-0820	Nut, Oval Locking, 1/4-20
5	823-4794	Insert, Caster
6	810-2805	Caster, 2"
7	823-3574	Support Grid, Bottom Pan Screen
8	803-0289	Filter Paper, 22" x 34" (100 sheets per box)
9	823-3573	Hold-down Ring, Weighted
10	823-4320	Crumb Basket
11	106-0752SP	Lid Assembly, Front
12	106-1755SP	Lid Assembly, Rear
*	106-3230SP	Lid Assembly, One Piece, Chili's
*	106-2568SP	Wand Assembly

\* Not illustrated.

**DECATHLON SERIES GAS FRYERS  
CHAPTER 2: PARTS LIST**

**2.8.2 UFF Filtration Components; SCFD50 Series Fryers**

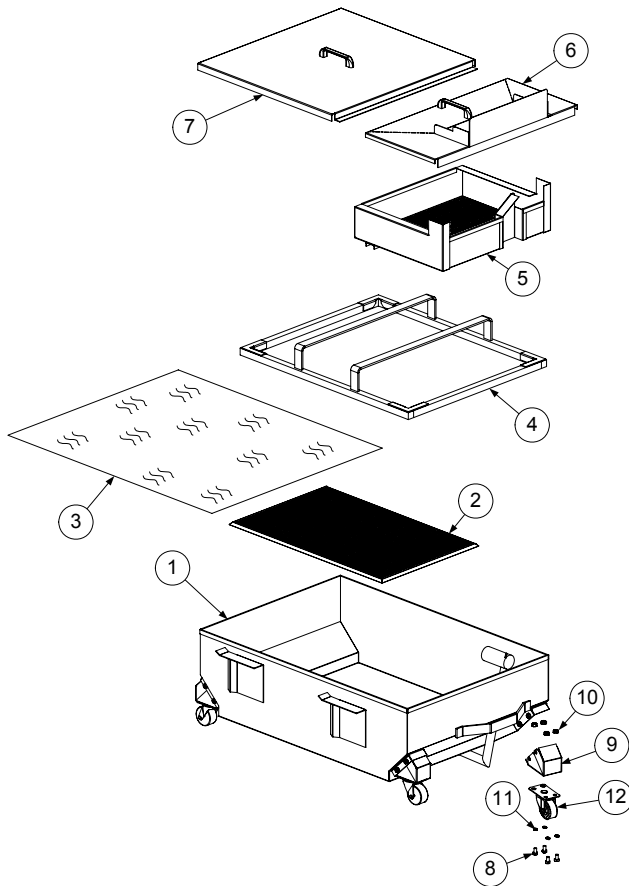


ITEM	PART #	DESCRIPTION
1	106-5144SP	Filter Pan
2	823-5639	Lid, Filter Pan
3	823-3573	Ring, Hold Down
4	823-5191	Crumb Basket
5	200-8003	Screen, Sana Grid
6	810-2805	Caster, 2"
7	809-0823	Nut, Nylock, 1/4-20
8	813-0568	Pipe Plug, 1/8 NPT Socket-head
9	803-0170	Filter Paper, 16.5" x 25.75" (100 sheets per box)

\* Not illustrated.

**DECATHLON SERIES GAS FRYERS**  
**CHAPTER 2: PARTS LIST**

**2.8.3 UFF Filtration Components; D60 and D80 Series Fryers**



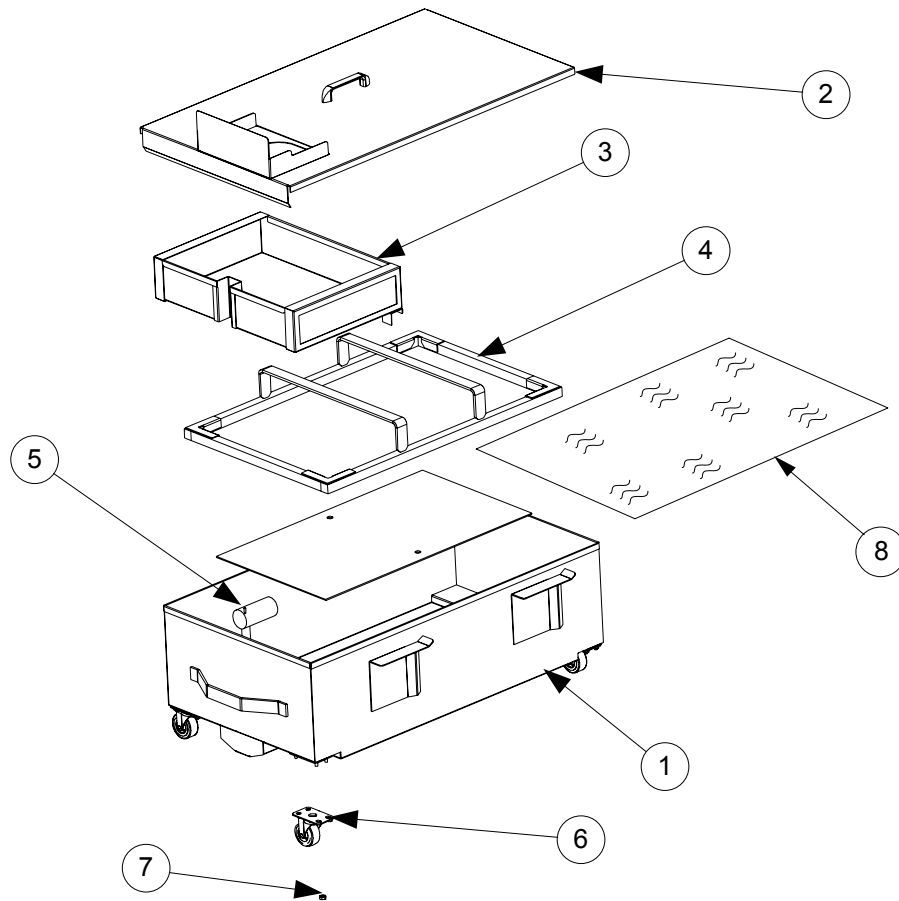
ITEM	PART #	COMPONENT
1	106-0749SP	Filter Pan (UFF 60)
*	106-1584SP	Filter Pan (UFF 80)
*	106-4521	Filter Pan (UFF 100)
2	823-3365	Support Grid, Bottom Pan Screen
3	803-0289	Filter Paper, 22 x 34" (100 sheets per box)(UFF 60)
*	803-0303	Filter Paper, 26 x 34" (100 sheets per box) (UFF 80)
4	823-3361	Hold-down Ring, Weighted (UFF 60)
*	823-3439	Hold-down Ring, Weighted (UFF 80)
5	823-4320	Crumb Basket (UFF 60)
*	823-3443	Crumb Basket (UFF 80)
6	106-0752SP	Lid, Front (UFF 60)
*	106-1587SP	Lid, Front (UFF 80)
7	106-0753SP	Lid, Rear (UFF 60)
*	106-1588SP	Lid, Rear (UFF 80)
8	809-0428	Screw, 1/4-20 x 1/2" Steel
9	823-4794	Insert, Caster
10	809-0820	Nut, Oval Locking, 1/4-20
11	809-0805	Screw, 1/4-20 x 1/2"
12	210-2805	Caster, 2"

\* Not illustrated.



**DECATHLON SERIES GAS FRYERS  
CHAPTER 2: PARTS LIST**

**2.8.4 UFF Filtration Components; SCFD60 and FPD65 Series Fryers**

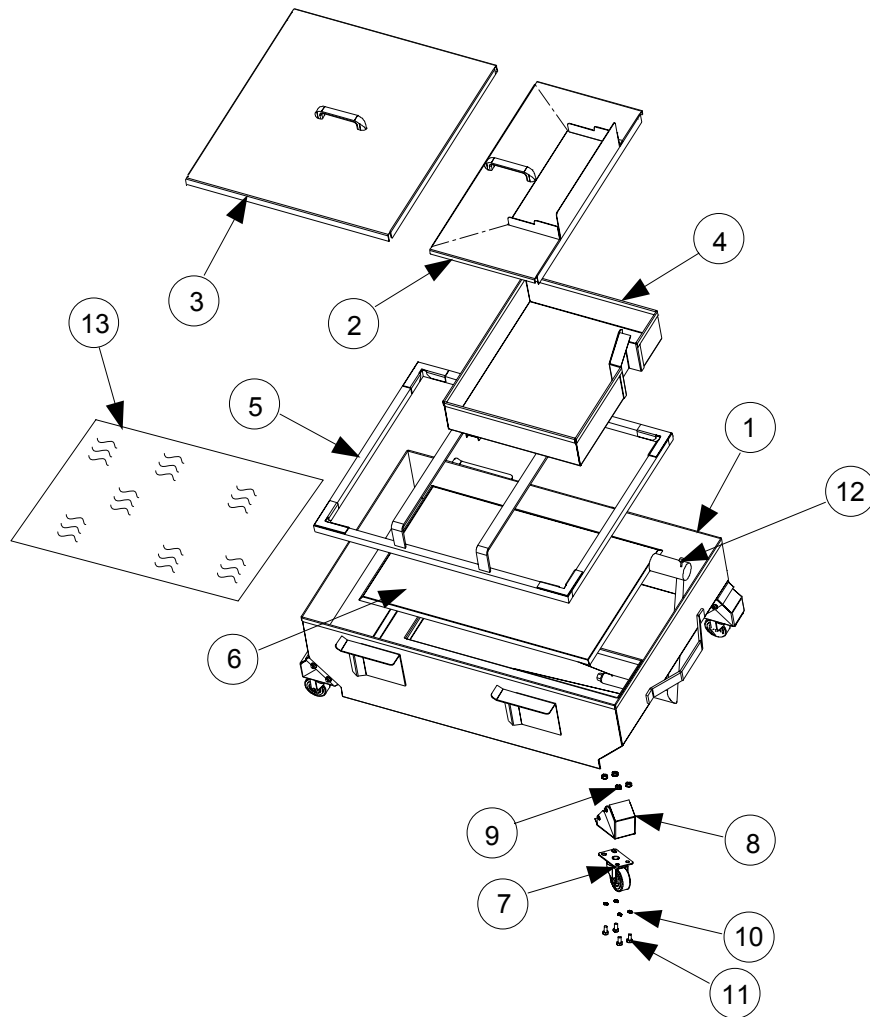


ITEM	PART #	COMPONENT
1	106-1220SP	Filter Pan (SCFD)
*	823-4109	Filter Pan (FPD)
2	106-4725SP	Lid Assembly (SCFD)
*	106-6119SP	Lid Assembly (FPD)
3	823-4320	Crumb Basket (SCFD)
*	823-3872	Crumb Basket (FPD)
4	823-3361	Hold Down Ring (SCFD)
*	810-2350	Filter Leaf (FPD)
5	200-5726	Screen, Bottom Filter (SCFD)
*	810-2582	Fitting, Filter Leaf (FPD)
6	810-2805	Caster, 2"
7	809-0070	Nut, 1/4-20 Hex S/S
8	803-0289	Filter Paper, 22" x 34" (100 sheets; 803-0266, 25 sheets)

\* Not illustrated.

**DECATHLON SERIES GAS FRYERS  
CHAPTER 2: PARTS LIST**

**2.8.5 UFF Filtration Components; SCFD80 Series Fryers**



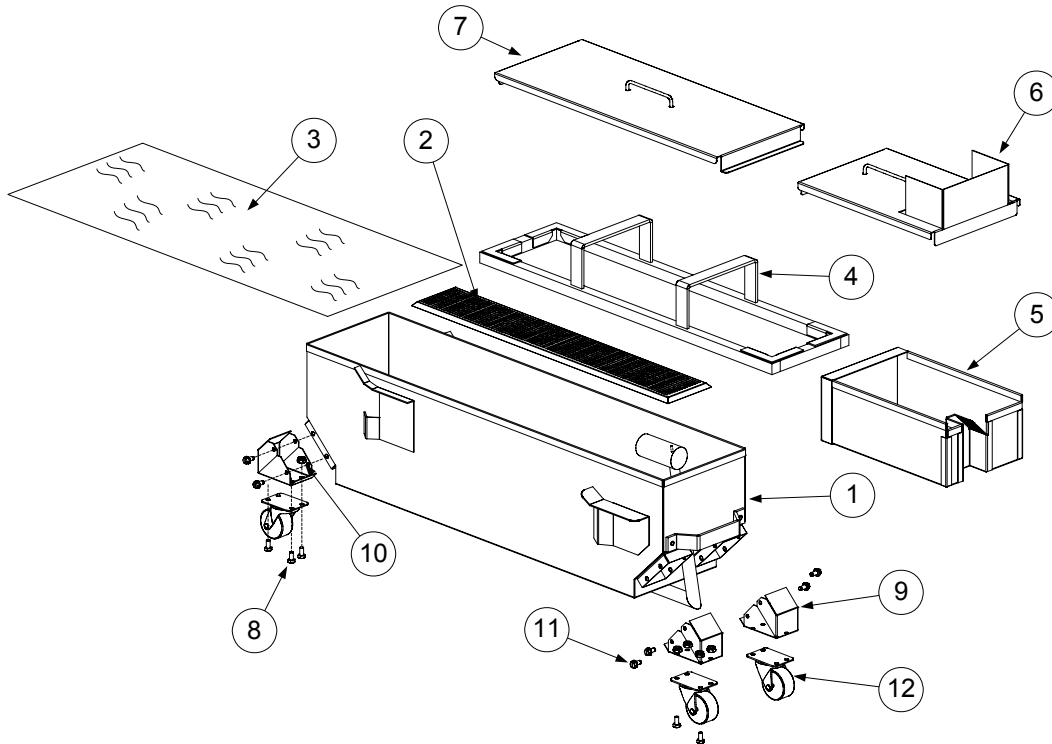
ITEM	PART #	COMPONENT
1	823-5406	Filter Pan
2	106-5321	Lid, Front (UFF 80)
3	106-5317	Lid, Rear (UFF 80)
4	823-5412	Crumb Basket
5	823-5409	Hold Down Ring
6	823-3365	Grid
7	810-2805	Caster, 2"
8	823-5407	Insert, Caster
9	809-0804	Nut, 1/4-20 Cap (with Ext. Tooth)
10	809-0191	Washer, 1/4" Spring Lock
11	809-0428	Screw, 1/4-20 x 1/2 Hex Head
12	813-0679	Plug, 1/8" S/S Square Head Pipe (Suction)
*	813-0704	Plug, 3/8" S/S Hex Head
13	803-0303	Filter Paper, 26" x 34" (100 sheets per box)

\* Not illustrated.

**DECATHLON SERIES GAS FRYERS  
CHAPTER 2: PARTS LIST**

**2.9 SUFF Filtration Components**

**2.9.1 SUFF Filtration Components; D50 Series Fryers**

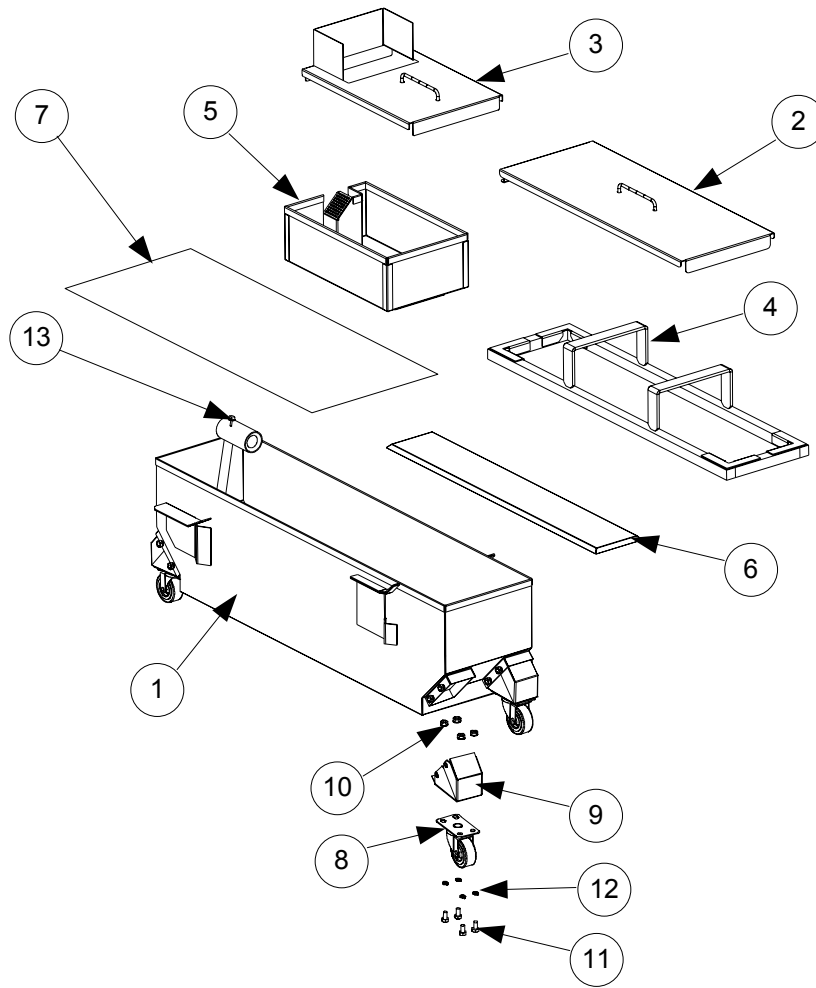


ITEM	PART #	COMPONENT
1	823-3796	Filter Pan (SUFF 50)
*	813-0684	Plug, Hex Socket, 3/8" NPT
*	813-0679	Plug, 1/8" SS Square Head (Female Disconnect)
2	823-3790	Support Grid, Bottom Pan Screen
3	803-0317	Filter Paper, 8-1/4 x 25-3/4"
4	823-3795	Hold-down Ring, Weighted
5	823-3736	Crumb Basket
6	823-3797	Filter Pan Cover, Front
7	823-3798	Filter Pan Cover, Back
8	809-0428	Screw, 1/4-20 x 1/2" Steel
9	823-4794	Insert, Castor
10	809-0820	Nut, Oval Locking, 1/4-20
11	809-0805	Screw, 1/4-20 x 1/2"
12	810-2805	Castor, 2"

\* Not Illustrated.

**DECATHLON SERIES GAS FRYERS  
CHAPTER 2: PARTS LIST**

**2.9.2 SUFF Filtration Components; CFD50 Series Fryers**

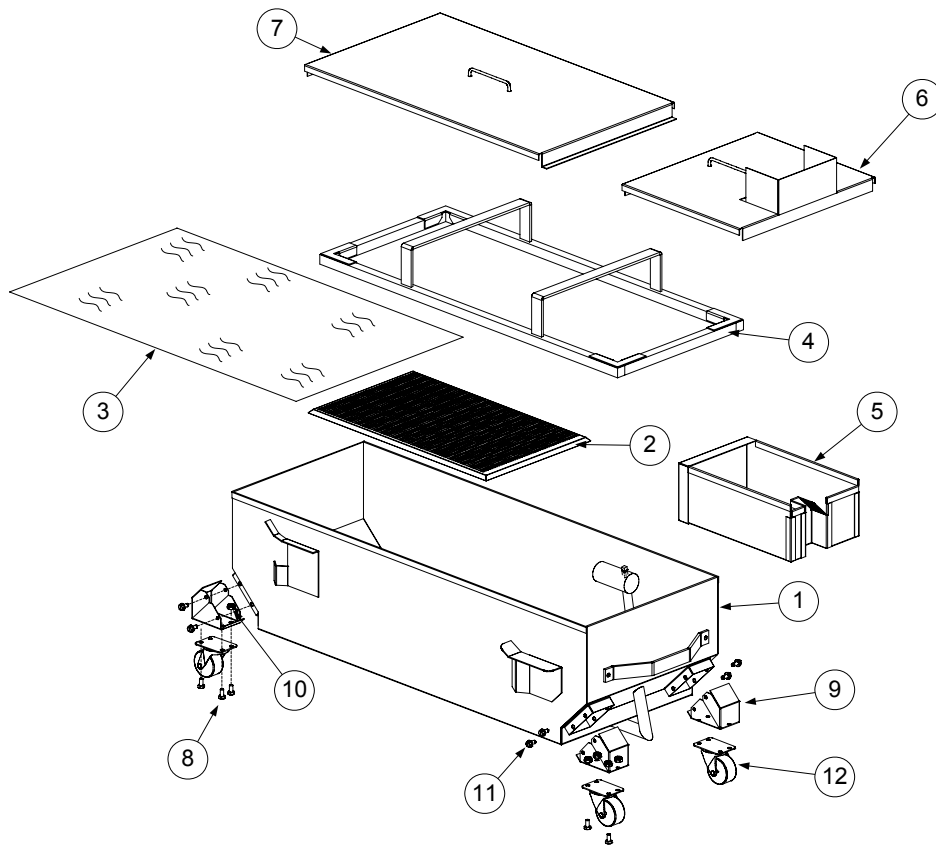


ITEM	PART #	COMPONENT
1	823-3796	Filter Pan
2	823-3798	Lid, Filter Pan, Rear
3	823-3797	Lid, Filter Pan, Front
4	823-3795	Hold-down Ring
5	823-5423	Crumb Basket (SUFF50/60/80)
6	823-3790	Grid, Bottom Filter
7	803-0317	Filter Paper, 8.25" x 25.75"
8	810-2805	Caster, 2"
9	823-5407	Insert, Caster
10	809-0804	Nut, 1/4-20 Cap (with Ext. Tooth)
11	809-0428	Screw, 1/4-20 x 1/2" Hex Head
12	809-0191	Washer, 1/4" Spring Lock
13	813-0679	Plug, 1/8" SS Square Head

\* Not Illustrated.

**DECATHLON SERIES GAS FRYERS**  
**CHAPTER 2: PARTS LIST**

**2.9.3 SUFF Filtration Components; D60 and D80 Series Fryers**

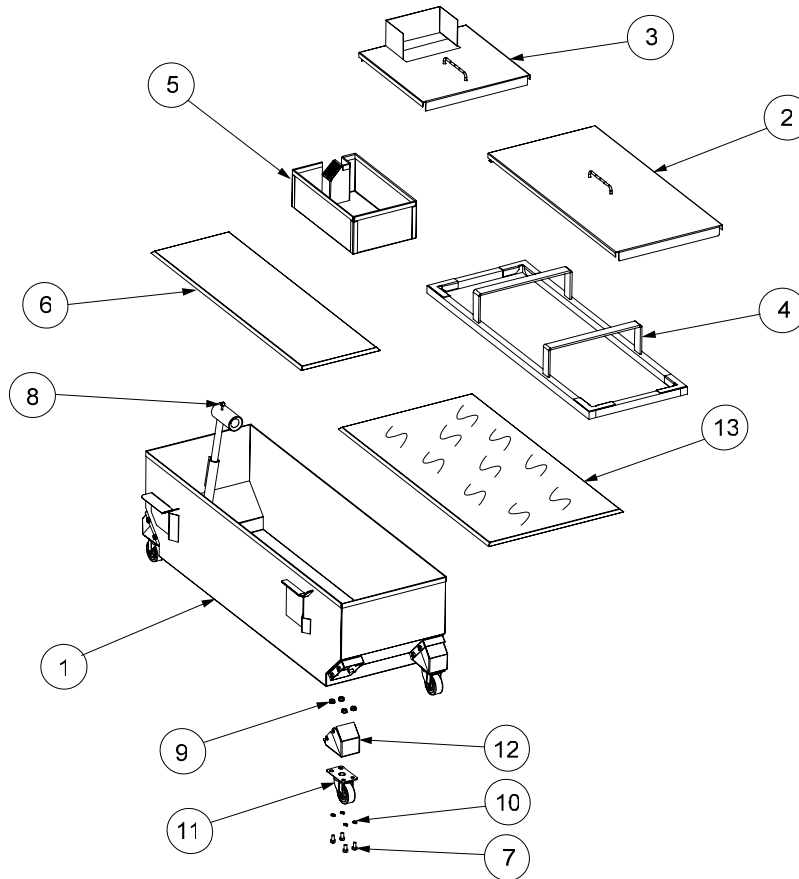


ITEM	PART #	COMPONENT
1	823-3774	Filter Pan (SUFF 60)
*	823-3821	Filter Pan, (SUFF 80)
*	813-0684	Plug, Hex Socket, 3/8" NPT
*	813-0679	Plug, 1/8" SS Square Head (Female Disconnect)
2	823-3768	Support Grid, Bottom Pan Screen (SUFF 60/80)
3	803-0289	Filter Paper, 22" x 34" (SUFF 60/80)
4	823-3770	Hold-down Ring, Weighted (SUFF 60)
*	823-3849	Hold-down Ring, Weighted (SUFF 80)
5	823-3736	Crumb Basket (SUFF 60/80)
6	823-3766	Filter Pan Cover, Front (SUFF 60)
*	823-3739	Filter Pan Cover, Front (SUFF 80)
7	823-3767	Filter Pan Cover, Back (SUFF 60)
*	823-3741	Filter Pan Cover, Back (SUFF 80)
8	809-0428	Screw, 1/4-20 x 1/2" Steel
9	823-4794	Insert, Castor
10	809-0820	Nut, Oval Locking, 1/4-20
11	809-0805	Screw, 1/4-20 x 1/2"
12	810-2805	Castor, 2"

\* Not Illustrated

**DECATHLON SERIES GAS FRYERS  
CHAPTER 2: PARTS LIST**

**2.9.4 SUFF Filtration Components; CFD60 and CFD80 Series Fryers**

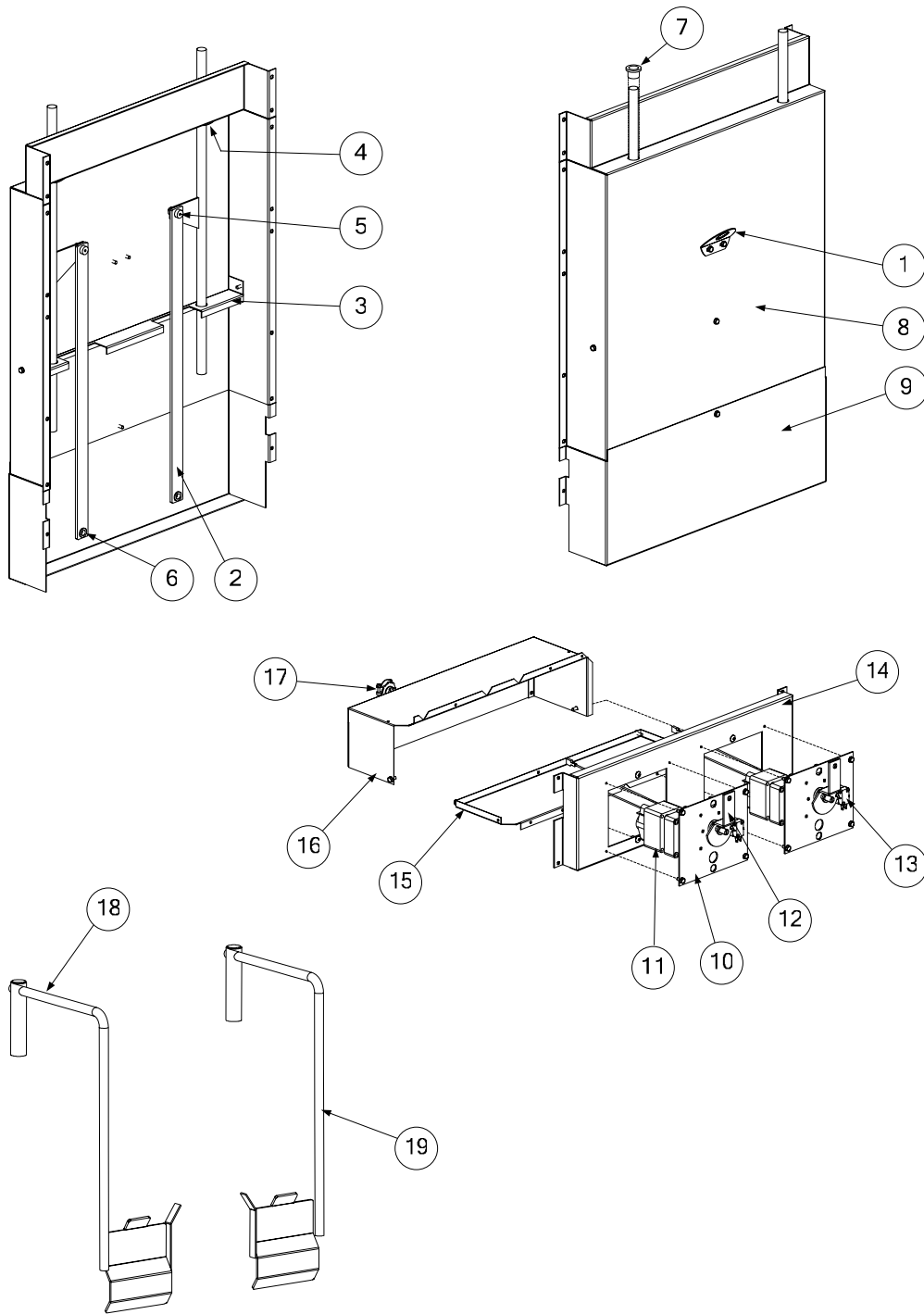


ITEM	PART #	COMPONENT
1	823-5420	Filter Pan (SUFF 60)
*	823-3821	Filter Pan (SUFF 80)
*	106-1433	Filter Pan, Early Style, External Pickup (SUFF 80)
2	823-5424	Filter Pan Cover, Front (SUFF 60)
*	823-3739	Filter Pan Cover, Front (SUFF 80)
3	823-5425	Filter Pan Cover, Back (SUFF 60)
*	823-3741	Filter Pan Cover, Back (SUFF 80)
4	823-5422	Hold-down Ring, Weighted (SUFF 60)
*	823-3849	Hold-down Ring, Weighted (SUFF 80)
5	823-5423	Crumb Basket (SUFF 60/80)
6	823-5421	Support Grid, Bottom Pan Screen (SUFF 60/80)
7	809-0428	Screw, 1/4-20 x 1/2" Steel
8	813-0679	Plug, 1/8" SS Square Head (Female Disconnect)
9	809-0804	Nut, 1/4-20 Locking (with ext. tooth)
10	809-0191	Washer, 1/4 Spring Lock
11	810-2805	Caster, 2"
12	823-5407	Insert, Caster
13	803-0289	Paper, Filter- 22 x 34" (SUFF 60/80)
*	813-0684	Plug, Hex Socket, 3/8" NPT

\* Not Illustrated.

DECATHLON SERIES GAS FRYERS  
CHAPTER 2: PARTS LIST

2.10 Basket Lift Components; D50, D60, and D80 Models



**DECATHLON SERIES GAS FRYERS  
CHAPTER 2: PARTS LIST**

**2.10 Basket Lift Components; D50, D60, and D80 Series Fryers (cont.)**

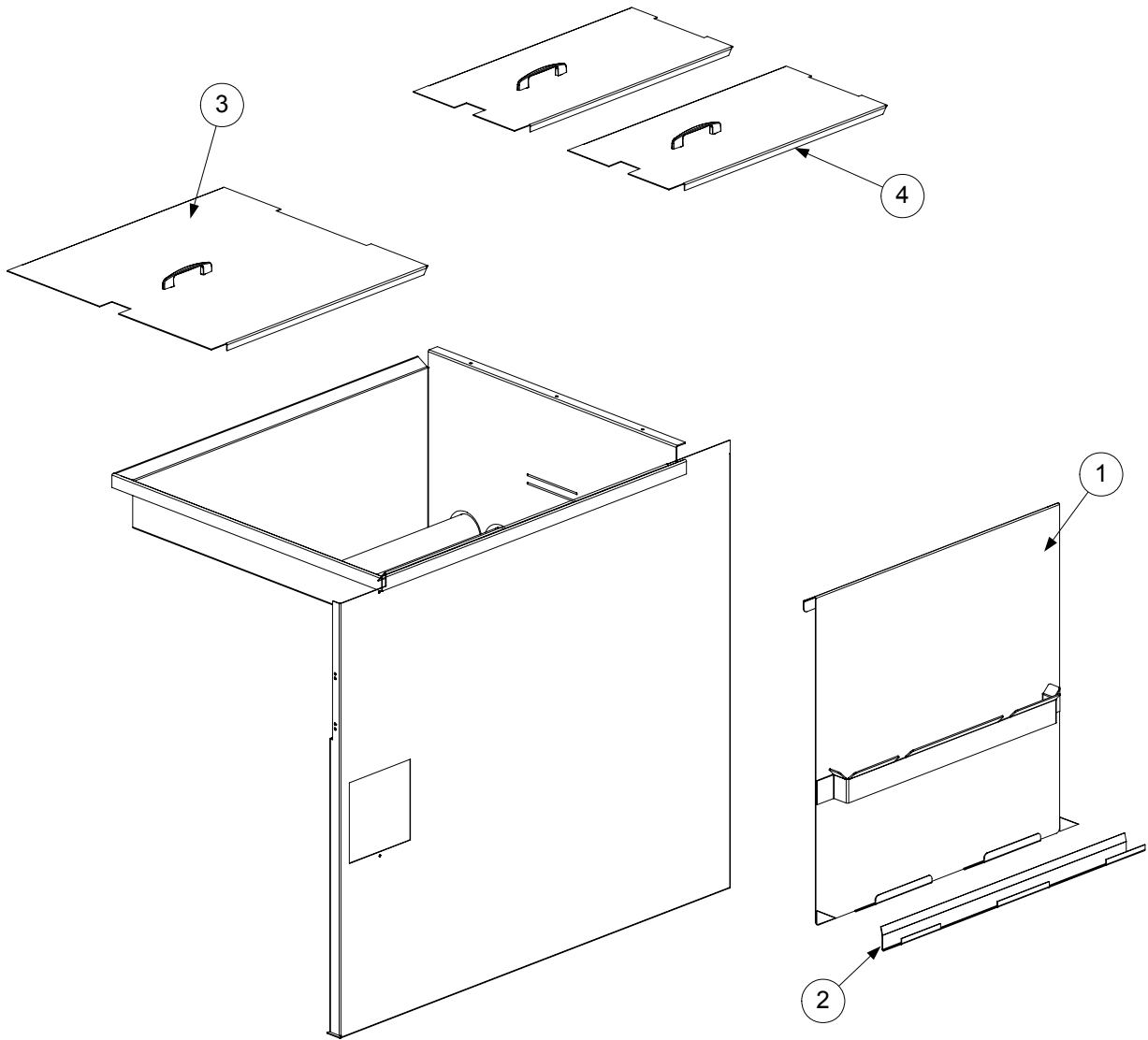
ITEM	PART #	COMPONENT
	106-1914	Basket Lift Assembly (D50)
	106-1870	Basket Lift Assembly (D60)
	106-1926	Basket Lift Assembly (D80)
1	200-1376	Bracket, Restraining
2	200-2069	Member, Lift Control Arm
		Channel, Support Autolift
3	200-3094	Channel (D80)
*	200-2735	Channel (D60)
*	200-3072	Channel (D50)
4	809-0879	Receiver, $\frac{3}{4}$ " Tinnerman Stud
5	809-0907	Screw, $\frac{3}{8}$ " x $\frac{1}{4}$ " Shoulder
*	809-0863	Nut, $\frac{5}{16}$ "-18 Hex
6	810-2140	Bushing (Bronze), Oiltite $\frac{3}{8}$ " x $\frac{1}{4}$ "
7	813-0035	Bushing (Bronze), Oiltite .640 I.D.
		Back, Basket Lift Motor
8	824-0996	Back (D80)
*	824-0958	Back (D60)
*	824-0990	Back (D50)
		Cover, Basket Lift Motor
9	824-0997	Cover (D80)
*	824-0959	Cover (D60)
*	824-0991	Cover (D50)
10	200-1693	Plate, Motor Mounting
11	807-0107	Motor, Gear
12	823-3626	Switch, Limit Cam
13	807-2104	Microswitch
*	810-2144	Spacer
*	809-0846	Screw, 4-40 x 1"
*	809-0842	Nut, 4-40 Nylock
		Motor Housing
14	200-3150	Housing, Front (D80)
*	200-2736	Housing, Front (D60)
*	200-3087	Housing, Front (D50)
15	200-3114	Housing, Bottom (D80)
*	200-2739	Housing, Bottom (D60)
*	200-3079	Housing, Bottom (D50)
16	200-3116	Housing, Back (D80)
*	200-2740	Housing, Back (D60)
*	200-3091	Housing, Back (D50)
17	807-0140	Connector, $\frac{3}{8}$ "
*	807-3087	Basket Lift Timer, 120V, 60 Hz, 15 min.
*	810-1822	Timer Knob
*	810-1823	Timer Button
*	826-1552	Basket Lift Timer Kit
18	823-3505	Left Basket Lift Arm
19	823-3499	Right Basket Lift Arm

\* Not illustrated.



**DECATHLON SERIES GAS FRYERS  
CHAPTER 2: PARTS LIST**

**2.11 Trough, Holster, and Cover Components; D60, FPD65, & D80 Models**



ITEM	PART #	COMPONENT
1	106-2668	Holster Assembly, Vat Cover
2	823-3384	Trough, Holster Assembly
3	106-1447	Cover, Full-vat
4	106-2585SP	Cover, Split-vat
*	106-2897SP	Cover, FPD
*	810-2030	Handle, Vat Cover (Full- and Split-)
*	809-0107	Screw, 8-32 x 3/8" Round Slotted Head
*	823-4767	Splash Guard
*	803-0278	L-shaped Brush
*	803-0197	Fryer's Friend
*	823-3938	Crumb Scoop

\* Not illustrated.