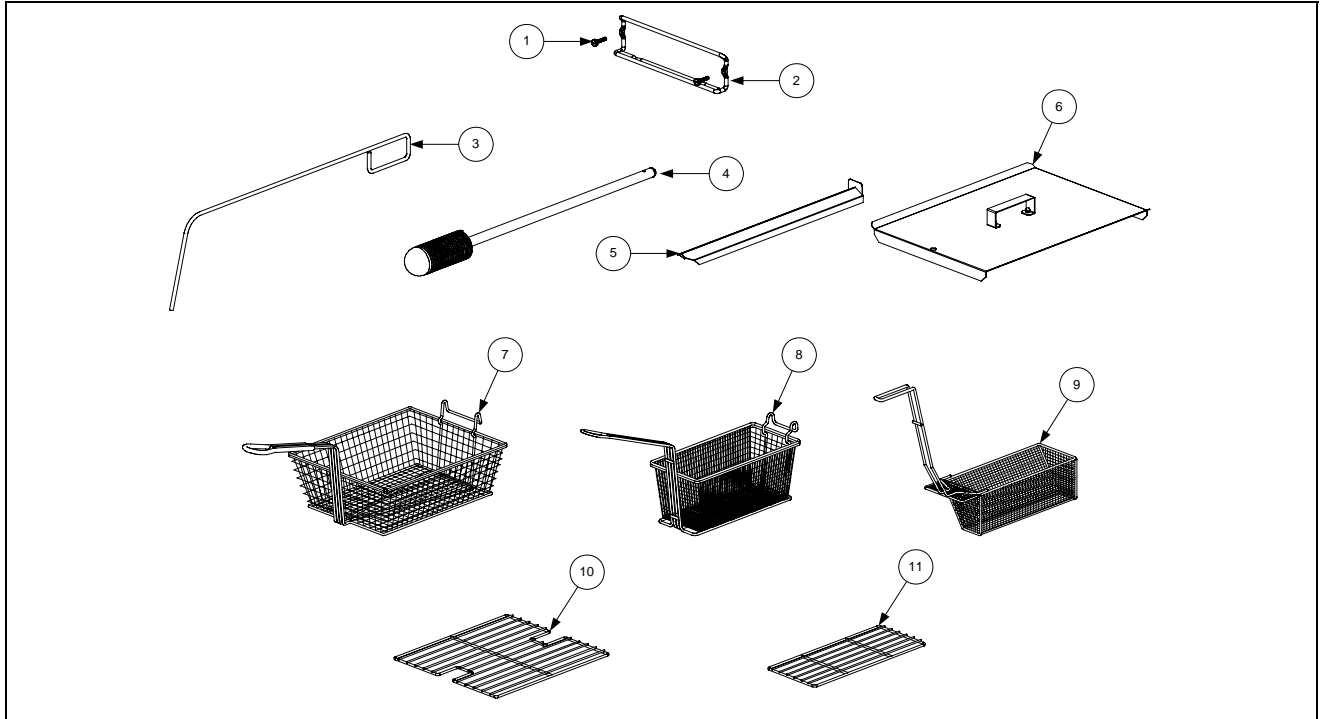


RE SERIES E⁴ ELECTRIC FRYERS

CHAPTER 2: PARTS LIST

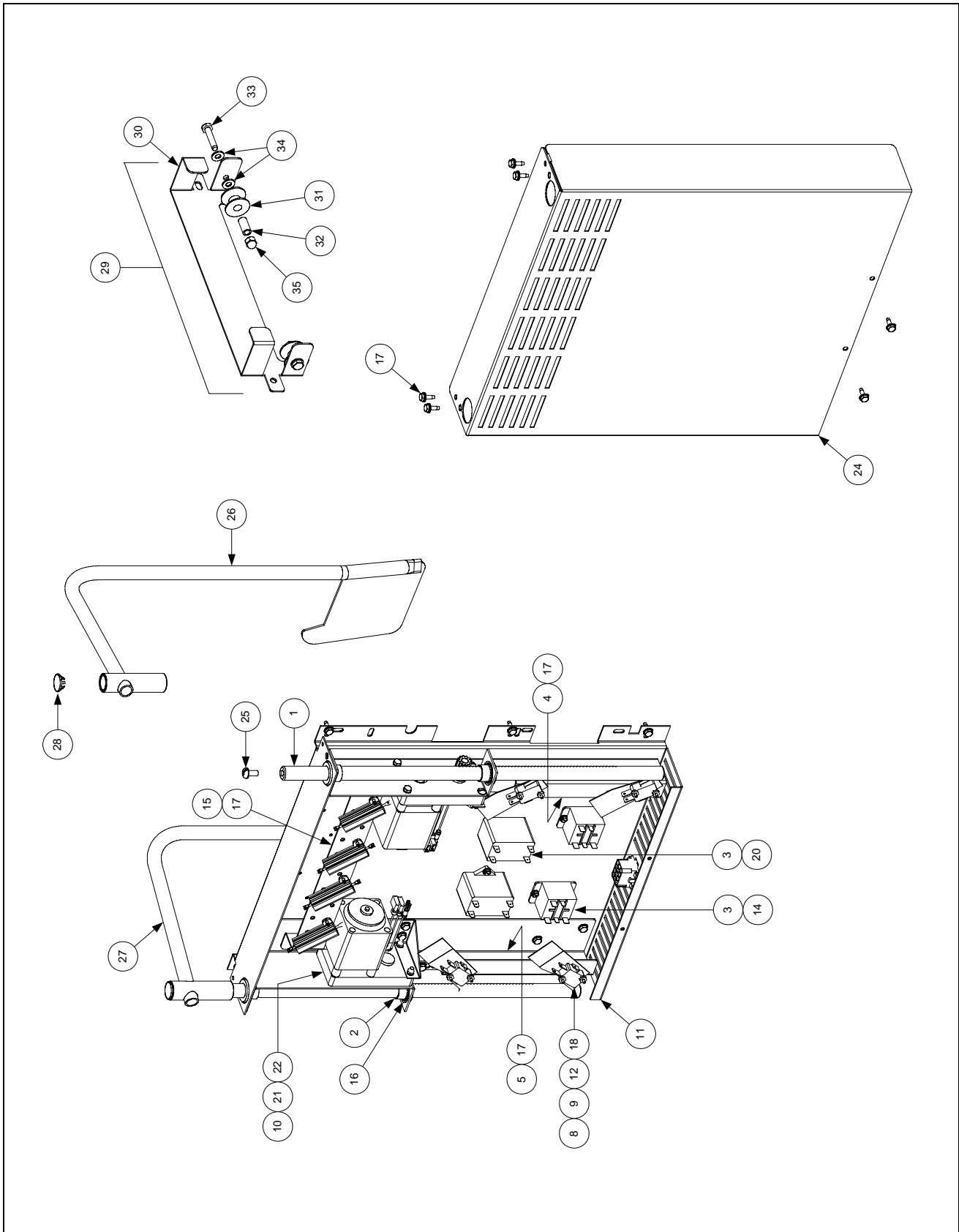
2.1 Accessories



ITEM	PART #	COMPONENT
1	809-0171	Thumbscrew, ¼ -20 X 1¾-inch
2	810-2793	Hanger, Wireform Basket (<i>use 810-2794 for Fryer ½</i>)
*	809-0921	Spacer, Basket Hanger
3	803-0197	Cleanout Rod, 27-inch
4	803-0209	Brush, Frypot
5	823-5772	Connecting Strip, Frypot (<i>use 823-6000 for LH, use 823-5966 for RH Fryer ½</i>)
	823-5807	Connecting Strip, Frypot Deep Cabinet
6	806-3068	Cover, Full-Vat Frypot
	806-3071	Cover, Dual-Vat Frypot
	106-6349	Cover, Full-Vat Frypot Deep Cabinet
7	803-0099	Basket, Full-Vat
8	803-0271	Basket, Dual-Vat (Twin)
9	803-0122	Sediment Tray, Left Dual-Vat
*	803-0123	Sediment Tray, Right Dual-Vat
*	803-0113	Sediment Tray, Full-Vat (<i>use 803-0365 for FV Deep Cabinet</i>)
10	803-0132	Rack, Full-Vat Basket Support (<i>use 803-0364 for FV Deep Cabinet</i>)
11	803-0106	Rack, Dual-Vat Basket Support
*	824-1664	Spreader Pan
*	824-1720	Cover, Spreader Pan
*	805-1575	Heatlamp, Merco 120V 2 Bulb (<i>use 806-5278SP for 120V Lamp Assembly</i>)
*	805-1576	Heatlamp, Merco 240V 2 Bulb (<i>use 806-5285SP for 240V Lamp Assembly</i>)
*	803-0002	Powder, Filter (80 1-Cup Applications)
*	803-0170	Pack, 100-Sheet Filter Paper

* Not illustrated.

2.2 Basket Lift Assembly and Associated Parts



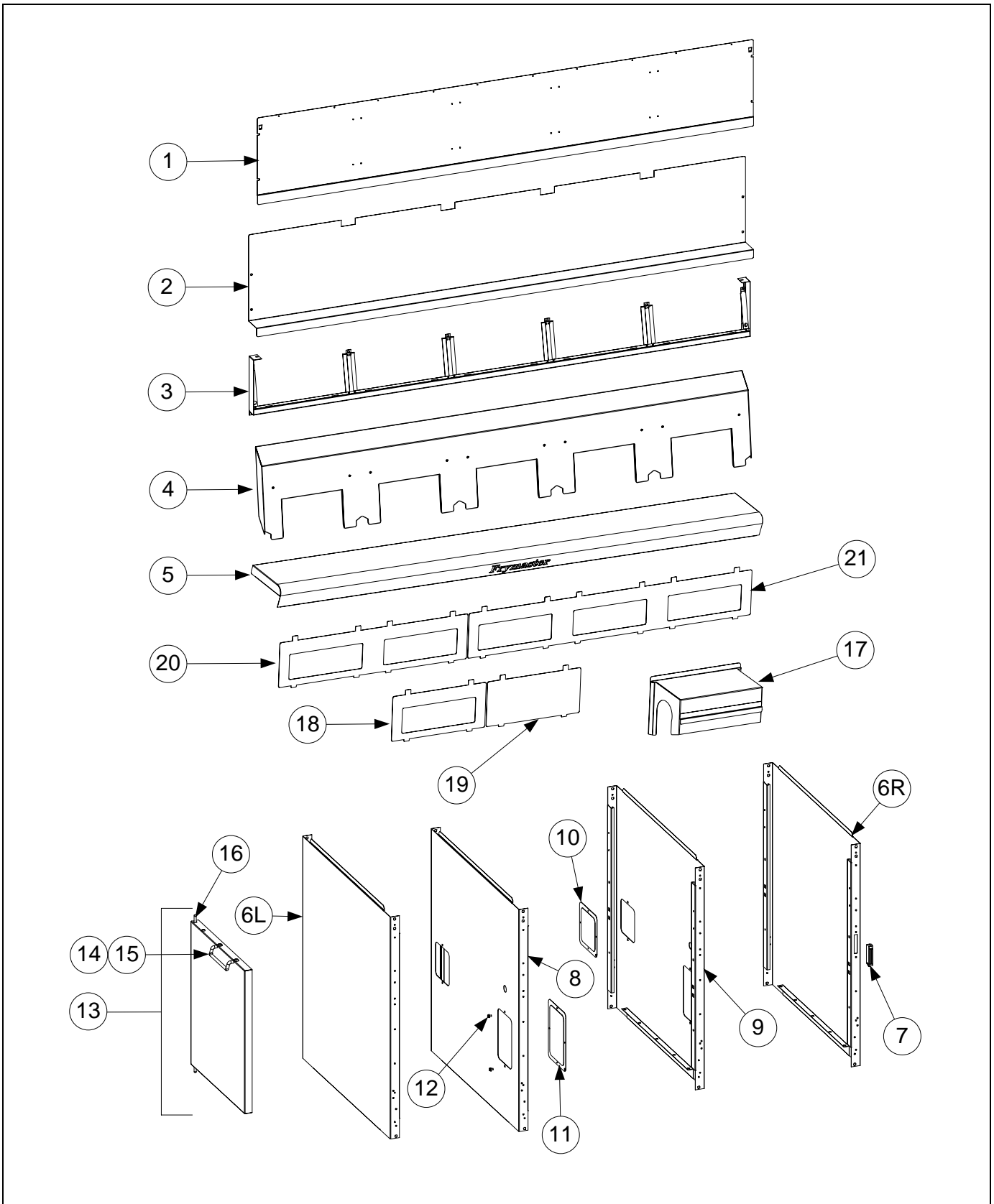
2.2 Basket Lift Assembly and Associated Parts cont.

ITEM	PART #	COMPONENT
	106-1805SP	Basket Lift Assembly, 200-220VAC w/Relay (<i>Items 1-23</i>)
1	810-1012	Rod, Basket Lift
2	813-0035	Bushing, Bronze
3	807-2513	Capacitor, 12.5 μ Farad 330VAC
4	901-8499	Chassis, Left Basket Lift
5	902-8499	Chassis, Right Basket Lift
6	807-0159	Connector, 12-Pin Female
7	900-5529	Gusset, Basket Lift Motor
8	812-0442	Insulation, Microswitch
9	807-2572	Microswitch
10	806-5964SP	Motor Assembly, 208-240VAC Modular Basket Lift
11	200-2942	Mount, Modular Basket Lift
12	826-1366	Nut, 4-40 Hex Keps (Pkg. of 25)
13	809-0247	Nut, 8-32 Hex Keps
14	807-1683	Relay, 12VDC
15	106-2770SP	Resistor Assembly, 208-220VAC Modular Basket Lift
16	809-0082	Ring, Bushing Retainer
17	826-1374	Screw, #10 X 1/2-inch Hex Washer Head (Pkg. of 25)
18	826-1359	Screw, 4-40 X 3/4-inch Slotted Round Head (Pkg. of 25)
19	826-1361	Screw, 8-32 X 1-inch Slotted Truss Head (Pkg. of 25)
20	826-1371	Screw, #8 X 1/2-inch Drill Point Hex Head (Pkg. of 25)
21	809-0503	Screw, 8-32 X 1/2-inch Hex Head
22	809-0186	Washer, #8 Lock
23	WIR-0166SP	Wire Bundle, 200-250VAC Basket Lift w/Relay
24	910-4776	Cover, Modular Basket Lift Rear S/S (<i>Use 900-4776 for Mild Steel</i>)
25	809-0127	Screw, 1/4-20 X 1/2-inch Slotted Round Head
26	823-2704	Arm, Left Basket Lift
27	823-2705	Arm, Right Basket Lift
28	810-0179	Button, Plug
29	806-9110SP	Roller Assembly, Basket Lift
30	910-8112	Bracket, Basket Lift Roller
31	810-0194	Roller, Basket Lift
32	810-0374	Spacer, Basket Lift Roller
33	809-0508	Bolt, 1/4-20 X 1 1/4 -Inch
34	809-0190	Washer, 1/4-inch Flat
35	809-0047	Nut, 1/4-20 Cap
*	106-5957	Wiring Harness, RE Series Electric Basket Lift (<i>Plugs into Item 6</i>)

* Not illustrated.

2.3 Cabinetry

2.3.1 Back Panels, Control Panel Frames, Doors, Sides, Tilt Housings, and Top Caps



2.3.1 Back Panels, Control Panel Frames, Doors, Sides, Tilt Housings & Top Caps cont.

ITEM	PART #	COMPONENT
1		Back Panel, Upper (Panel for five station fryer shown)
	220-0421	Single Station Fryer CRS (<i>Use 230-0422 for Stainless Steel</i>)
	220-1973	Fryer ½ Station Fryer CRS
	220-0419	Two Station Fryer CRS (<i>Use 230-0420 for Stainless Steel</i>)
	220-0423	Three Station Fryer CRS (<i>Use 230-0424 for Stainless Steel</i>)
	220-0425	Four Station Fryer CRS (<i>Use 230-0546 for Stainless Steel</i>)
	220-0611	Five Station Fryer CRS (<i>Use 230-0612 for Stainless Steel</i>)
2		Back Panel, Center (Panel for five station fryer shown)
	220-0501	Single Station Fryer CRS (<i>Use 230-0502 for Stainless Steel</i>)
	220-1977	Fryer ½ Station Fryer CRS
	220-0487	Two Station Fryer CRS (<i>Use 230-0490 for Stainless Steel</i>)
	220-0491	Three Station Fryer CRS (<i>Use 230-0492 for Stainless Steel</i>)
	220-0499	Four Station Fryer CRS (<i>Use 230-0500 for Stainless Steel</i>)
	220-0616	Five Station Fryer CRS (<i>Use 230-0617 for Stainless Steel</i>)
3		Frame, Control Panel (Frame for five station fryer shown)
	106-5016	Single Station Fryer
	106-6846	Fryer ½ Station Fryer
	106-5221	Two Station Fryer
	106-5018	Three Station Fryer
	106-5019	Four Station Fryer
	106-5020	Five Station Fryer
4		Tilt Housing (Housing for five station fryer shown)
	823-5494	Single Station
	823-5999	Fryer ½ Station LH ½ fryer (<i>use 823-5965 for RH ½ fryer</i>)
	823-5497	Two Station
	823-5489	Three Station
	823-5575	Four Station (<i>use 106-7516 for Cracker Barrel</i>)
	823-5581	Five Station
5		Top Cap (Top cap for five station fryer shown)
	106-5195	Single Station (<i>Also requires four 809-0078 10-32 Nutserts</i>)
	106-7060	Fryer ½ Station LH ½ fryer (<i>use 106-6838 for RH ½ fryer</i>) (<i>Also requires four 809-0078 10-32 Nutserts</i>)
	106-5196	Two Station (<i>Also requires four 809-0078 10-32 Nutserts</i>)
	106-5197	Three Station (<i>Also requires six 809-0078 10-32 Nutserts</i>)
	106-5198	Four Station (<i>Also requires eight 809-0078 10-32 Nutserts</i>)
	106-5199	Five Station (<i>Also requires ten 809-0078 10-32 Nutserts</i>)
*		Heat Shield
*	200-9614	Single Station
*	200-9610	Two Station (<i>Two are used on Four Station</i>) (<i>One used on Five Station</i>)
*	200-9611	Three Station (<i>One used on Five Station</i>)
6L	231-0323	Side, Standard Cabinet Left SS (<i>use 221-0323SP for Enameled Steel</i>)
	231-1345	Side, Left Deep Cabinet SS
6R	232-0323	Side, Standard Cabinet Right SS (<i>use 222-0323SP for Enameled Steel</i>)
	232-1345	Side, Right Deep Cabinet SS
7	810-1105	Magnet, Door
8	231-0352	Side, Filter Ready Cabinet Left SS (<i>use 221-0352 for Cold Rolled Steel</i>)
9	232-0352	Side, Filter Ready Cabinet Right SS (<i>use 222-0352 for Cold Rolled Steel</i>)
10	910-0889	Cover, 5-inch X 5-inch Access
11	910-0890	Cover, 5-inch X 7-inch Access
12	809-0359	Screw, #8 X ¼-inch Hex Washer Head
13	106-4397	Door, Left or Right (Left shown – move handle to opposite side for Right) - Standard
	106-6899	Door, Left or Right – Fryer ½
14	809-0266	Screw, #10 X ½-inch Phillips Truss Head
15	210-9739	Handle, Eurolook Door (<i>use 230-2088 for Fryer ½ handle</i>)

* Not illustrated.

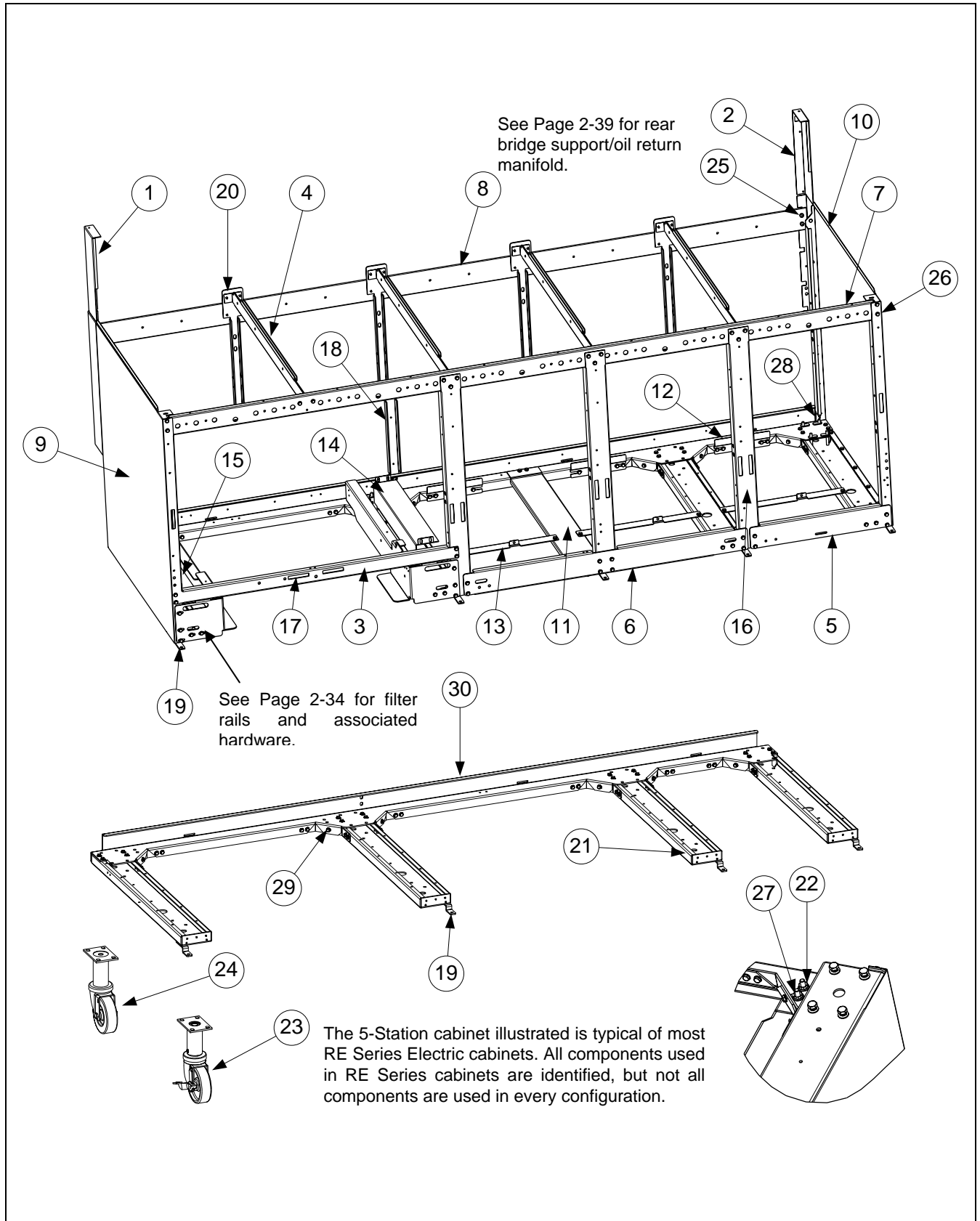
continued on the following page...

**2.3.1 Back Panels, Control Panel Frames, Doors, Sides, Tilt Housings & Top Caps
cont.**

ITEM	PART #	COMPONENT
16	106-4067	Pin Assembly, Door
*	810-0275	Spring, Door Pin
*	809-0970	Retaining Ring
17	823-5440	Cove, Element Tilt Housing (<i>use 823-5726 for Fryer 1/2</i>)
18	210-5046	Bezel, One-Controller (<i>use 230-1953 for Fryer 1/2</i>)
19	210-5623	Bezel, Blank
20	210-5819	Bezel, Two –Controller
21	210-6698	Bezel, Three-Controller

* Not illustrated.

2.3.2 Cabinets, Bases, Braces, and Associated Parts



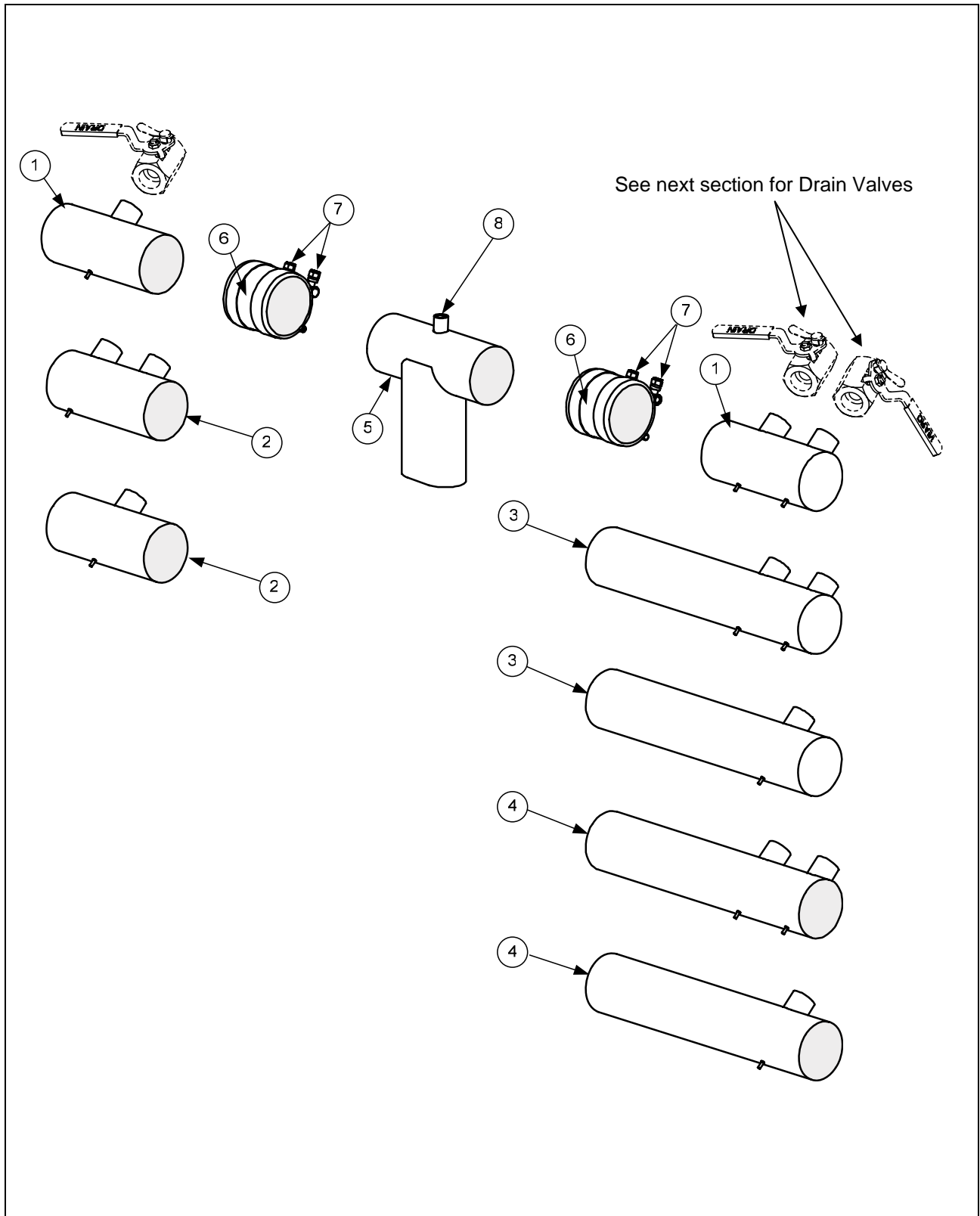
2.3.2 Cabinets, Bases, Braces, and Associated Parts cont.

ITEM	PART #	COMPONENT
1	106-3828	Upright Assembly, Left
2	106-3829	Upright Assembly, Right
3	200-1651	Support, Cross Cabinet <i>(use 220-1742 for Fryer ½)</i>
4	200-1659	Divider, Cabinet <i>(use 220-1348 for Deep Cabinet Divider)</i>
5	200-2293	Brace, Single Station Lower
6	200-3774	Brace, Double Station Lower
7		Brace, Front Horizontal
	200-7036	Single-Station Fryer <i>(use 220-0624 for Single-Station Lower Brace)</i>
	220-1740	Fryer ½ Station Fryer
	200-7037	Two-Station Fryer
	200-7038	Three-Station Fryer
	200-7039	Four-Station Fryer
	200-7040	Five-Station Fryer
8		Brace, Rear Horizontal
	200-5356	Single-Station Fryer
	220-1711	Fryer ½ Station Fryer
	200-2284	Two-Station Fryer
	200-2295	Three-Station Fryer
	200-2725	Four-Station Fryer
	200-3592	Five-Station Fryer
9	231-0323	Side, Cabinet LH S/S <i>(use 221-0323 for CRS)(use 231-1345 for Deep Cabinet)</i>
10	232-0323	Side, Cabinet RH S/S <i>(use 222-0323 for CRS)(use 232-1345 for Deep Cabinet)</i>
11	220-1100	Support, RE Bottom Contactor Box
12	220-1095	Support, RE Rear Contactor Box
13	220-1093	Brace, RE Front Contactor Box
*	220-1294	Brace, Contactor Box Single-Station Fryer Front
14	222-0610	Bracket, RH Contactor Box Mount <i>(use 222-1845 for Fryer ½)</i>
15	221-0610	Bracket, LH Contactor Box Mount <i>(use 221-1845 for Fryer ½)</i>
*	220-1446	Bracket, Contactor Box Mount SCF Deep Cabinet
*	200-6498	Bridge, Contactor Box Single-Station Fryer
16	200-4424	Post, Door
17	810-2346	Magnet, Door
18	200-4786	Support, Oil Return Manifold
19	210-6862	Hinge, Door
20	824-1393	Bracket, Rear Support <i>(use 200-8253 for Fryer ½)</i>
21	824-4557	Channel, Base Side
*	823-5782	Channel, Base Side SCF Deep Cabinet
*	221-0621	Channel, Base Left Side Single-Station Fryer <i>(use 222-0621 for RH side)</i>
22	809-0131	Bolt, ¼-20 X ¾-inch Hex Head <i>(also used w/Item 27 to mount filter rails)</i>
23	810-0326	Caster with Brake
24	810-1494	Caster without Brake
25	826-1376	Nut, 10-32 Keps Hex (Pkg. of 10)
26	826-1374	Screw, #10 X ½-inch Hex Washer Head <i>(primary cabinet screw)</i> (Pkg. of 25)
27	809-0417	Nut, ¼-20 Hex Flange
28	809-0429	Bolt, ¼-20 X 2-inch Hex Head
29	200-5417	Brace, Rear Channel Corner
30		Channel, Base Rear
	823-5589	Single-Station Fryer Base <i>(use 220-1737 for Fryer ½)</i>
	823-4558	Two-Station Fryer
	823-4560	Three-Station Fryer
	823-4561	Four-Station Fryer
	823-4562	Five-Station Fryer
*	810-1234	Leg, Stainless Steel 8.5-inch Adjustable <i>(mounts with Items 27 and 28)</i>
*	810-3010	Leg, Single Fryer Single-Station Fryer

* Not illustrated.

2.4 Drain System Components

2.4.1 Drain Tube Sections and Associated Parts

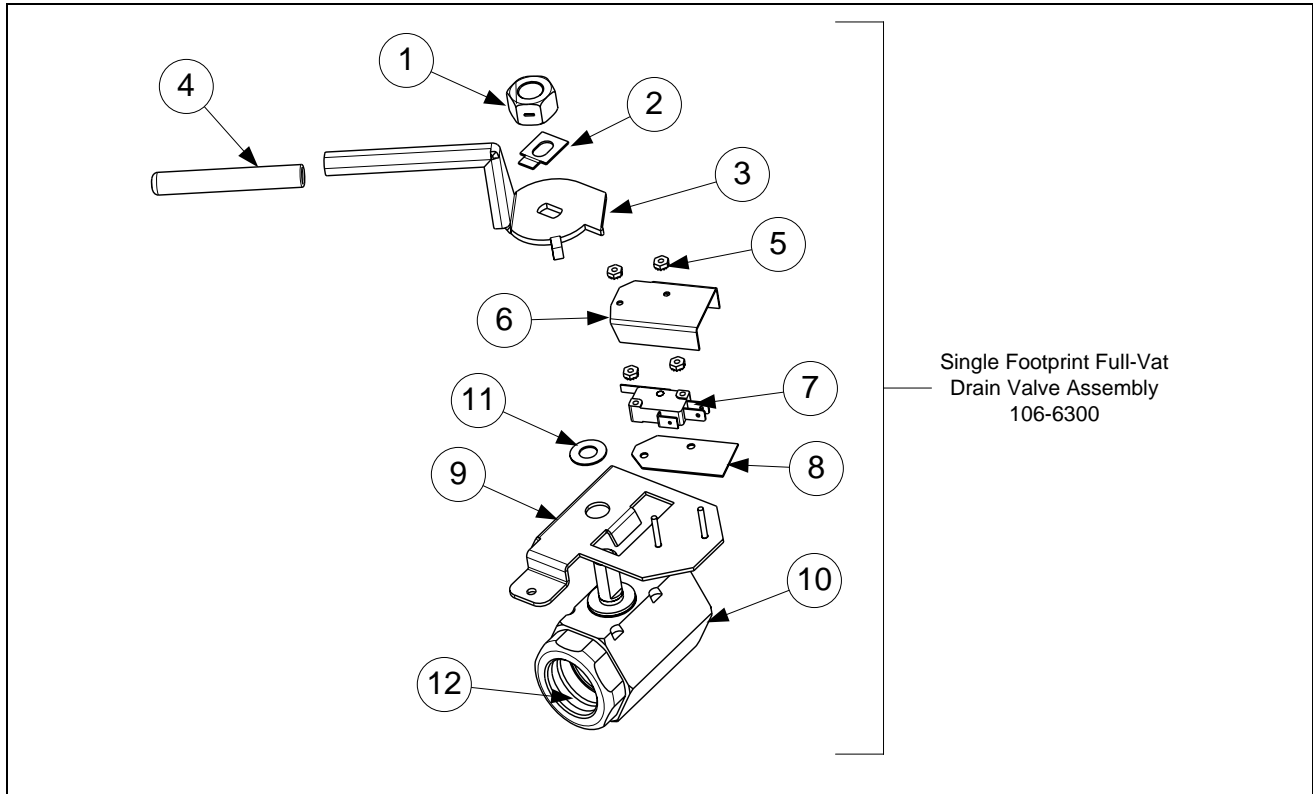


2.4.1 Euro-Look Drain Tube Sections and Associated Parts cont.

ITEM	PART#	COMPONENT
1		Drain Tube, Left/Right End Short
	823-4625	Full-Vat
	823-4624	Dual-Vat
	823-5943	Fryer ½, RH ½ Fryer
	823-6003	Fryer ½, LH ½ Fryer
2		Drain Tube, Left/Right Open Short
	823-4643	Full-Vat
	823-4642	Dual-Vat
3		Drain Tube, Right End Long
	823-4639	Full-Vat
	823-4638	Dual-Vat
4		Drain Tube, Left/Right Open Long
	823-4641	Full-Vat
	823-4640	Dual-Vat
5	823-4892	Drain Outlet Center Dump
	823-5944	Fryer ½, RH ½ Fryer
	823-6004	Fryer ½, LH ½ Fryer
6	816-0625	Sleeve
7	809-0969	Clamp
*	816-0630	Vinyl Cap
8	810-2492	Fitting, Quick-Connect Straight (receives Teflon vent tube)
*	KIT6033	Kit, Round Drain Clamp (contains 2 of Item 7 and 1 of Item 6)
*	811-1071	Tube, Teflon Vent (sold by the foot)

* Not illustrated.

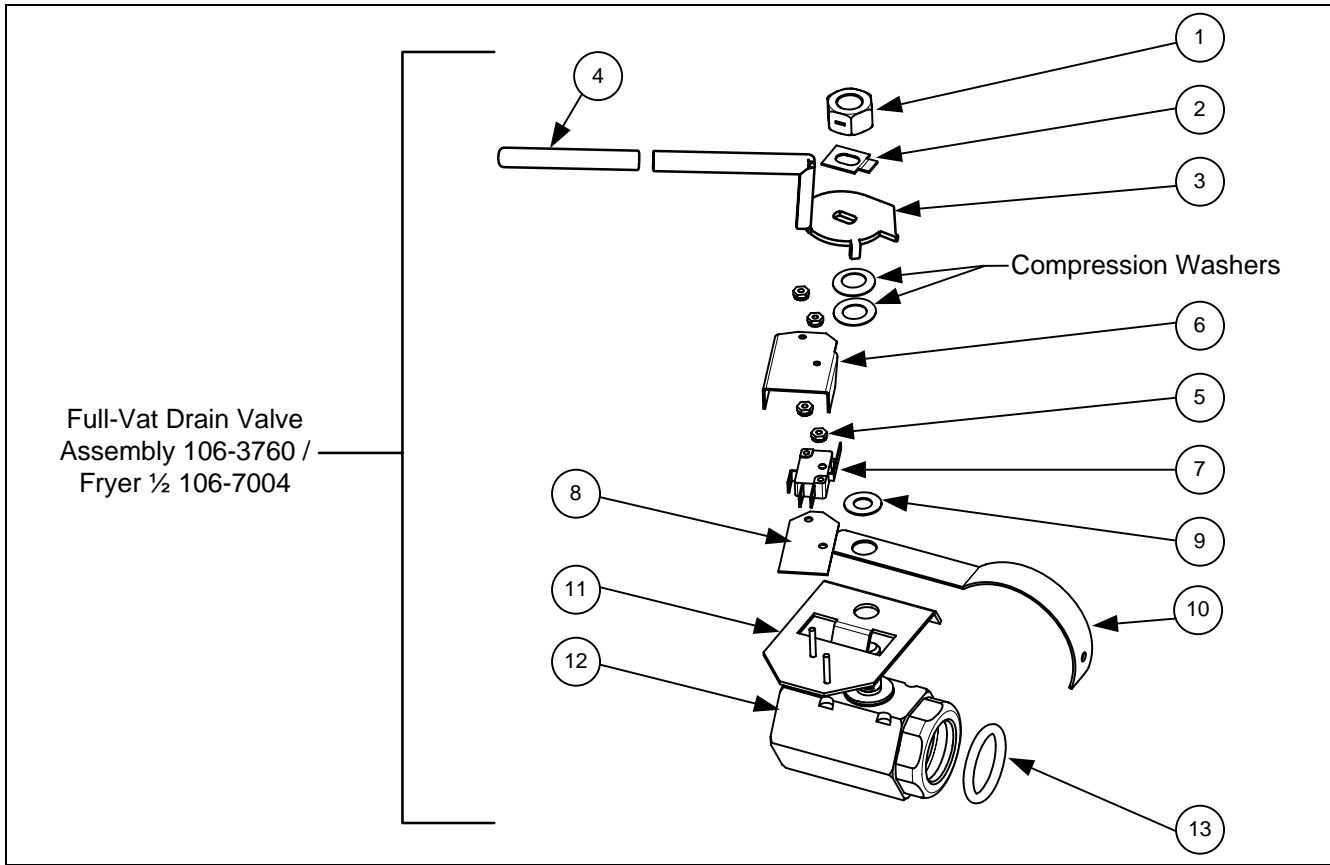
2.4.2 Drain Valves and Associated Parts (Units with Built-In Filtration)



2.4.2 Drain Valves and Associated Parts (Units with Built-in Filtration) cont.

ITEM	PART #	COMPONENT
1	809-0540	Nut, 1/2-13 2-Way Hex Lock
2	900-2936	Retainer, Full-Vat Nut Drain Valve
3	824-1602	Handle, Full-Vat Drain Valve
4	816-0639	Cap, Red Handle
5	809-0237	Nut, 4-40 Keps Hex
6	901-2348	Cover, Dual Vat Drain Safety Switch
7	807-2103	Microswitch, CE Straight Lever
8	816-0220	Insulation, Drain Safety Switch
9	106-5391	Bracket Assembly, Full-Vat Drain Safety Switch Single FP Only
10	810-1018	Valve, 1.25-inch Full-Vat Drain
11	810-1165	Washer, Teflon Drain Valve
12	816-0135	O-Ring, Round Drain

2.4.2 Drain Valves and Associated Parts (Units with Built-In Filtration) cont

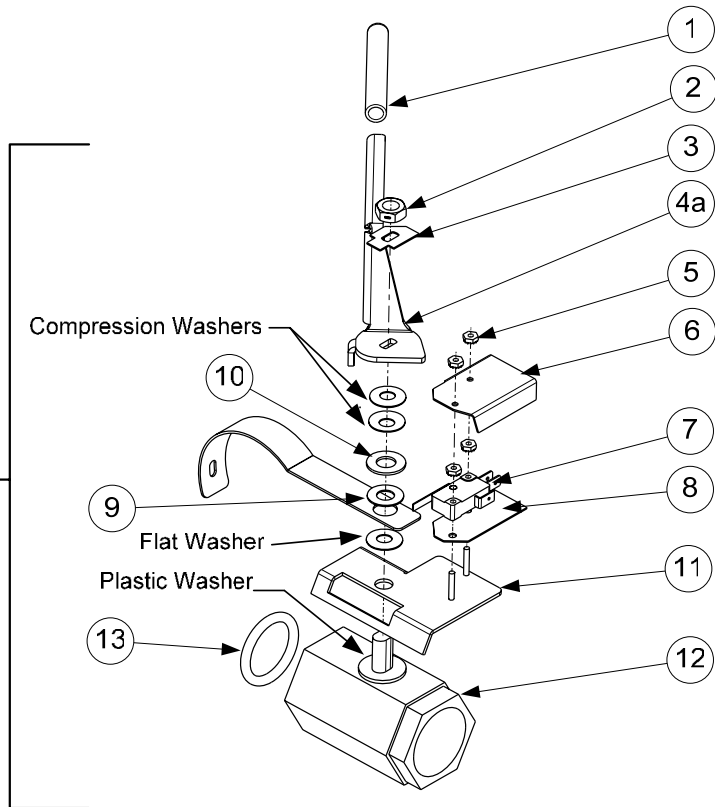


2.4.2 Drain Valves and Associated Parts (Units with Built-In Filtration) cont.

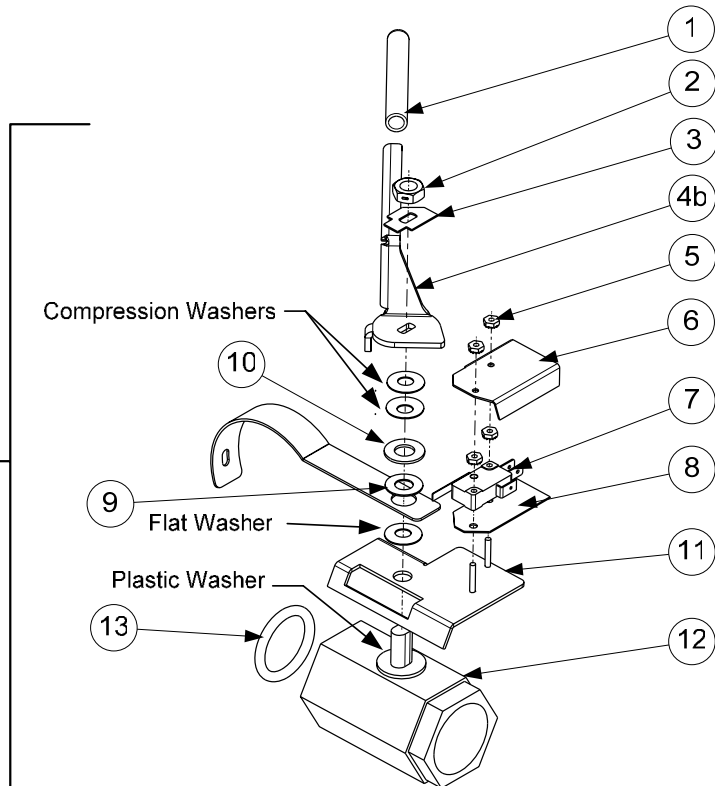
ITEM	PART#	COMPONENT
1	809-0540	Nut, ½-13 2-Way Hex Lock
2	900-2936	Retainer, Full-Vat Drain Valve Nut
3	824-1602	Handle, Full-Vat Drain Valve
	824-1740	Handle, Fryer ½ Half Vat
4	816-0639	Cap, Red Handle
5	809-0237	Nut, 4-40 Keps Hex
6	901-2348	Cover, Dual Vat Drain Safety Switch
7	807-2103	Microswitch, CE Straight Lever
8	816-0220	Insulation, Drain Safety Switch
9	810-1165	Washer, Teflon Drain Valve
10	200-6496	Support, 3" Drain
11	806-8137	Bracket Assembly, Full-Vat Drain Safety Switch
	106-7005	Bracket Assembly, Fryer ½
12	810-1018	Valve, 1.25-inch Full-Vat Drain
13	816-0135	Round Drain O-Ring

2.4.2 Drain Valves and Associated Parts (Units with Built-In Filtration) cont.

Dual-Vat Drain Valve
Right Assembly
106-5606 /
106-6302 Single FP



Dual-Vat Drain Valve
Left Assembly
106-5607 /
106-6301 Single FP

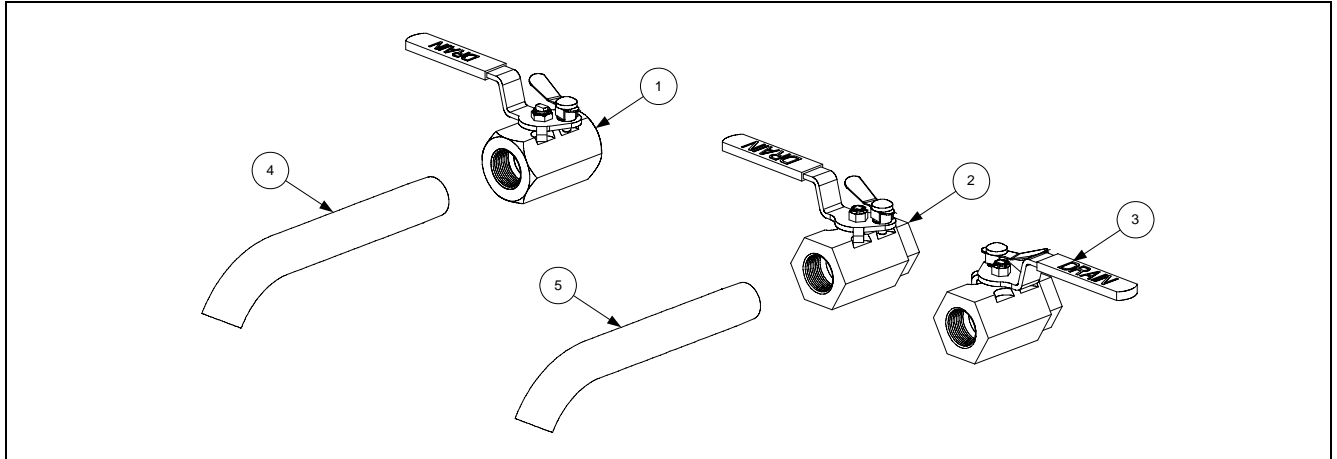


2.4.2 Drain Valves and Assoc. Parts (Units with Built-In Filtration) cont.

ITEM	PART#	COMPONENT
1	816-0639	Cap, Drain Handle
2	809-0539	Nut, 3/8-16 2-Way Hex Lock
3	900-2934	Retainer, Dual-Vat Drain Valve Nut
4a	824-1636	Handle, Dual-Vat Right Drain Valve
4b	824-1637	Handle, Dual-Vat Left Drain Valve
5	809-0237	Nut, 4-40 Keps Hex
6	901-2348	Cover, Dual Vat Drain Safety Switch
7	807-2103	Microswitch, CE Straight Lever
8	816-0220	Insulation, Drain Safety Switch
9	810-1165	Washer, Teflon Drain Valve
10	809-0196	Washer, 3/8-inch Flat
11	106-2671	Bracket Assembly, Dual-Vat Drain Safety Switch
	106-6304	Bracket Assembly, Dual-Vat Drain Safety Switch Single Footprint Only
12	810-1114	Valve, 1-inch Dual-Vat Drain
13	816-0135	Round Drain O-Ring
*	823-5592	Tube, Drain Single-Station Only with Filter

* Not illustrated.

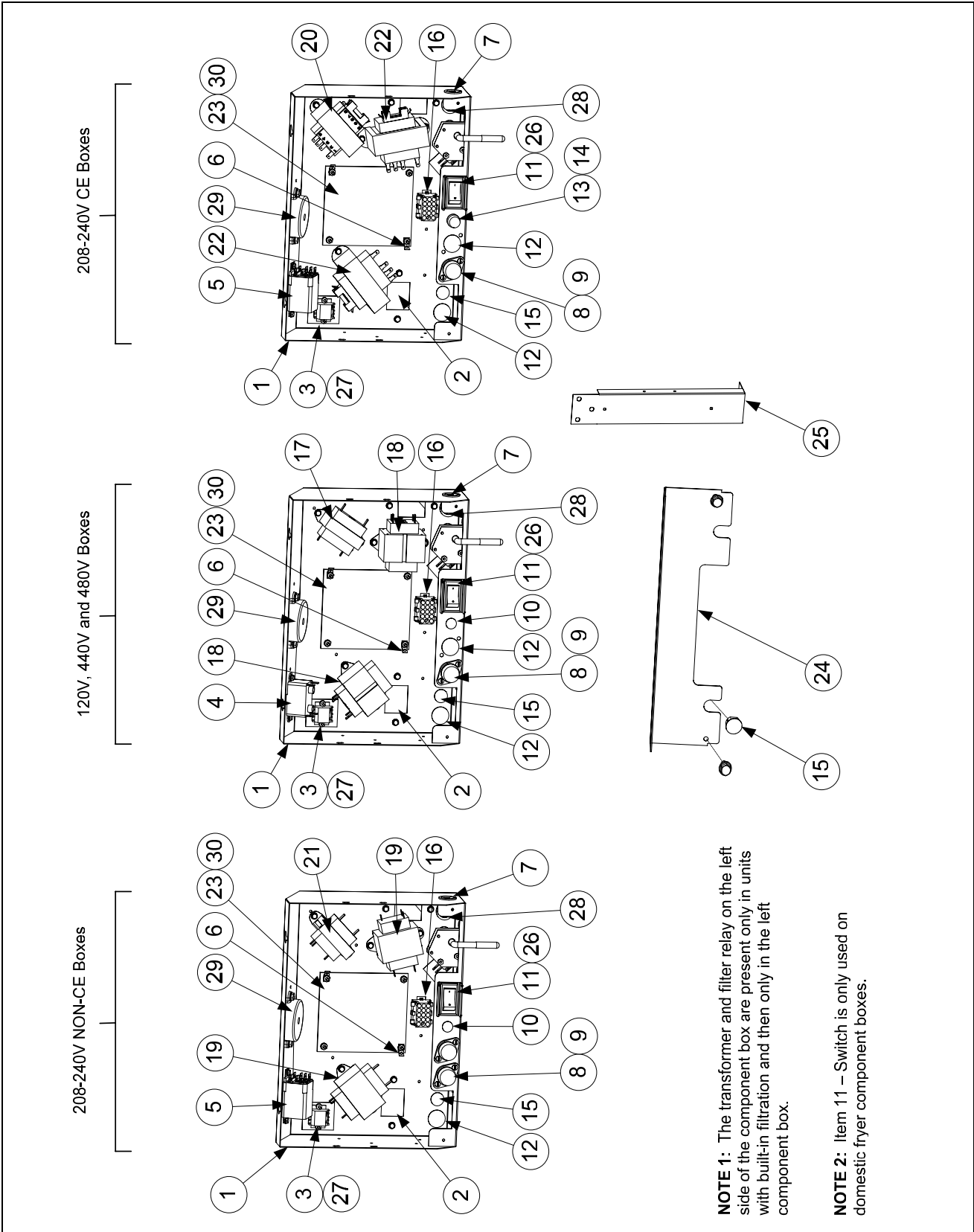
2.4.3 Drain Valves and Associated Parts (Units without Built-In Filtration)



ITEM	PART #	COMPONENT
1	810-1569	Valve, 1.25-inch Non-Filter Full-Vat Drain
2	806-7915SP	Valve, 1-inch Non-Filter Dual-Vat Left Drain
3	806-7916SP	Valve, 1-inch Non-Filter Dual-Vat Right Drain
4	812-1226	Drain Extension, 1.25-inch
5	812-1227	Drain Extension, 1-inch

2.5 Electronics and Wiring Components

2.5.1 Component Boxes



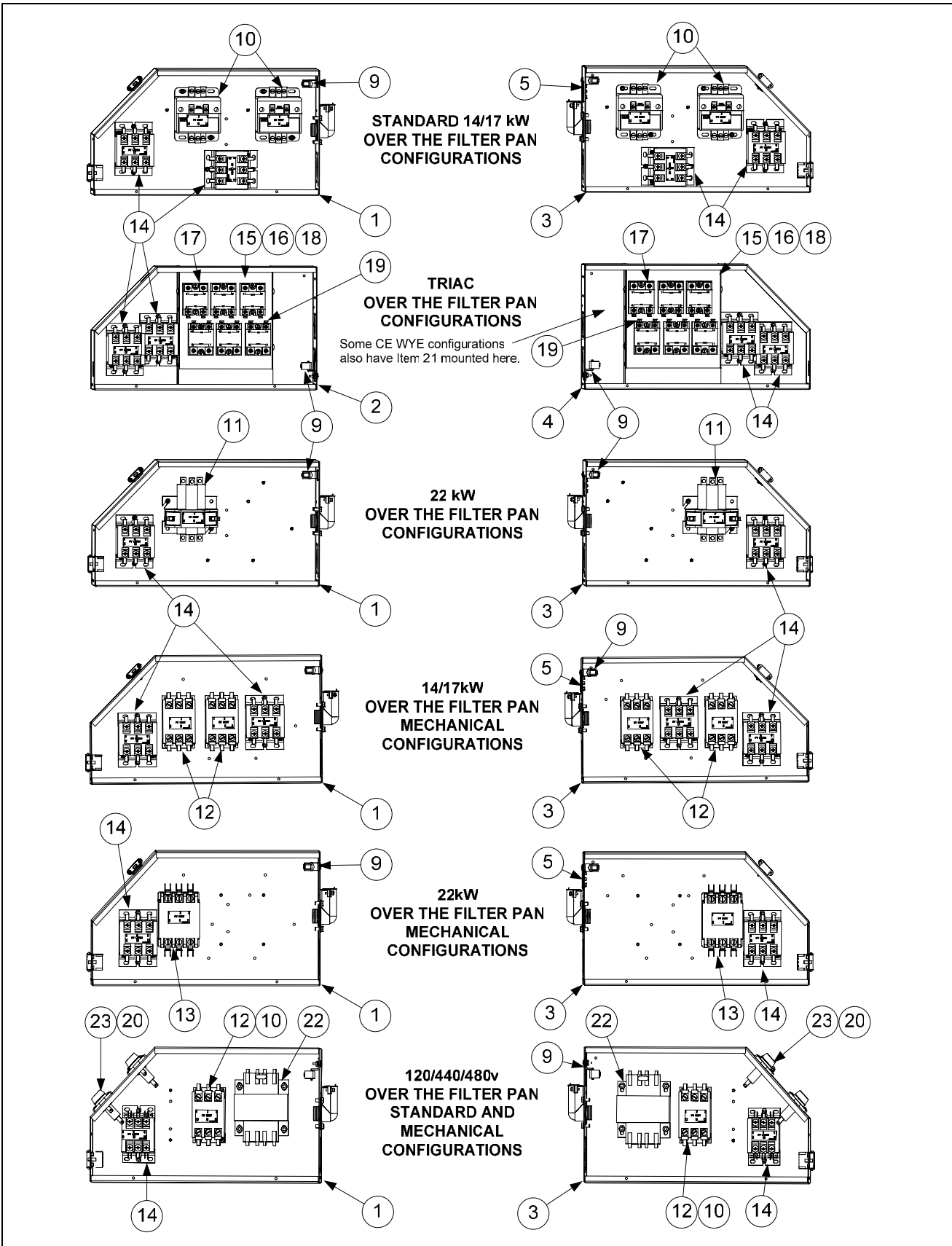
2.5.1 Component Boxes cont.

ITEM	PART #	COMPONENT
1	106-5592	Box Assembly, Component Standard
	106-6747	Box Assembly, Component Fryer ½
2	200-3300	Bracket, Component Box Strain Relief
3	806-9495SP	Terminal Block
4	807-0012	Relay, Filter 18 Amp ⅓ HP 24V
5	807-0670	Relay, Filter Mintex DPDT 24V
6	807-0037	Terminal, ¼-inch Push-on
7	807-0121	Bushing, Heyco Plastic AB-625-500
8	807-0922	Holder, Buss Fuse HPS
9	807-2278	Fuse, 20 Amp
10	810-2446	Plug, Button .50 Heyco Double “D”
11	807-4036	Switch
	807-3575	Plug, Carling Switch Hole (<i>used on some models without a switch</i>)
12	807-1947	Plug, Button .875 Dome
13	807-1321	Holder, AGC Panel Mount ¼” Fuse (<i>Some models use item 10 here.</i>)
14	807-1597	Fuse, 3 AMP Slow-Blow
15	810-2445	Plug, Button .625 Heyco Double “D”
16	106-5750	Harness Assembly, RE FV Control
	106-5751	Harness Assembly, RE DV Control
17	807-0855	Transformer, 100-120V/12V 20VA
18	807-0800	Transformer, 100-120V/24V 50VA Filter
19	807-0680	Transformer, 208-240V/24V 20VA Filter
20	807-2191	Transformer, 208-240V/12V 30VA
21	807-0979	Transformer, 208-240V/12V 43VA
22	807-2180	Transformer, 208-240V 50VA Filter
23		Interface Board (<i>On SMT interface boards the relays are not replaceable.</i>)
	826-2260	Standard, Full- or Dual-Vat (<i>SMT</i>)
	106-6693	EPRI, Full- or Dual-Vat
	106-5290	Fast Computer, Full- or Dual-Vat
*	807-3932	Relay, Latch/Heat 12VDC SPDT 12A Sealed (<i>On SMT interface boards the relays are not replaceable.</i>)
*	106-6501	Fallback Controller Assembly RE
24	220-0565	Guard, Finger Domestic and Non-CE
	220-1061	Guard, Finger Non-Domestic and CE
25	200-6654	Brace, Component Box
26	230-0834	Guard, RE Box Switch
27	816-0217	Paper, Insulating Terminal Block
28	810-0045	Bushing, .875 Diameter 11/16”
29	806-7179SP	Sound Device Std. (<i>Use 810-3141 for SMT sound device with SMT connector</i>)
*	807-4330	Sound Device Adapter Harness (SMT)
30	809-0349	Spacer, 4mm X 6mm Aluminum
*	826-2249	RE Hood/Ansul Interlock Kit (includes terminal block, wires and connectors)

* Not illustrated.

2.5.2 Contactor Boxes

2.5.2.1 Left and Right Over the Filter Pan Contactor Box Configurations



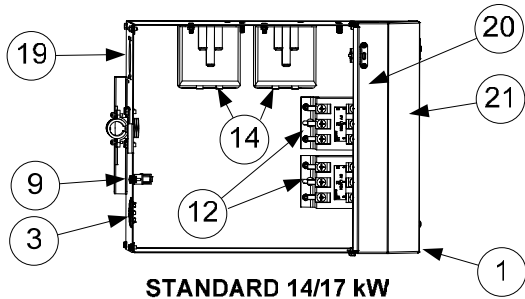
2.5.2.1 Left and Right Over the Filter Pan Contactor Box Configurations cont.

NOTES: Left and right contactor box assemblies are mirror images of one another. With the exception of the box itself, most components of a left-hand assembly are the same as those in the corresponding right-hand assembly and vice versa. The configurations illustrated show most possible components, but a particular configuration may not have all the components shown.

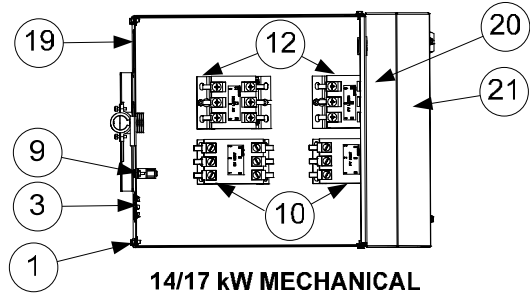
ITEM	PART #	COMPONENT
1	106-5488	Box Assembly, Left Contactor Standard (Over the Filter Pan)
	106-7066	Box Assembly, Left Contactor Fryer ½ Half Fryer on Left
2	823-5736	Box Assembly, Left Contactor EPRI (Over the Filter Pan)
3	106-5489	Box Assembly, Right Contactor Standard (Over the Filter Pan)
	106-6819	Box Assembly, Right Contactor Fryer ½ Half Fryer on Right
4	823-5748	Box Assembly, Right Contactor EPRI (Over the Filter Pan)
5	810-2554	Plug, Cord Cutout 1.125 Button
6	807-1947	Plug, .875 Diameter Dome
7	807-0064	Transformer, 480V/120V 150VA
8	807-0922	Holder, Bus Fuse
*	221-0482	Cover, Left Hand Standard Contactor Box
	222-2072	Cover, Left Hand Fryer ½ Half fryer on Left
*	222-0482	Cover, Right Hand Standard Contactor Box
	220-1912	Cover, Right Hand Fryer ½ Half fryer on Right
9	807-0070	Terminal, Ground Lug
10	807-1071	Contactor, 24V 30 Amp Mercury
11	807-0884	Contactor, 24V 50 Amp Mercury
12	807-2284	Contactor, 24V 50 Amp Mechanical (<i>only in 14kW & 17kW units</i>)
13	807-2283	Contactor, 24V 63 Amp Mechanical (<i>only in 22kW units</i>)
14	810-1202	Contactor, 24V 40 Amp Mechanical
15**	806-8674	Heatsink Assembly, DV Solid State Relay (See components below)
16**	806-8673	Heatsink Assembly, FV Solid State Relay (See components below)
		Components of Items 15 and 16
17	826-1562	Kit Relay, Solid State 40 Amp 280V with Heatsink
18	807-2749	Heatsink, Solid State
19	807-0037	Terminal, ¼-inch Push-on
20	807-2278	Fuse, 20 Amp
21	106-6204	Filter Assembly, EPRI (<i>used in CE WYE-configured EPRI units only</i>)
22	807-0064	Transformer, 480V/120V 150VA
23	807-0922	Holder, Bus Fuse
*	221-0610	Bracket, Left Hand Contactor Box Mounting
*	222-0610	Bracket, Right Hand Contactor Box Mounting
*	807-0012	Relay, Tilt Switch 18 Amp 1/3 HP 24 V Coil

* Not illustrated. ** Full Vat has three relays 826-1562, Dual-Vat has six relays.

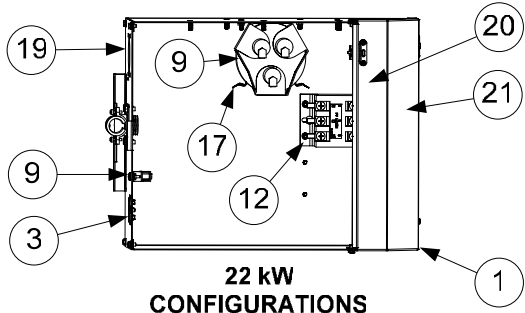
2.5.2.2 Large Center Contactor Box Configurations (Non-Filter, Not over the Filter and Single Units)



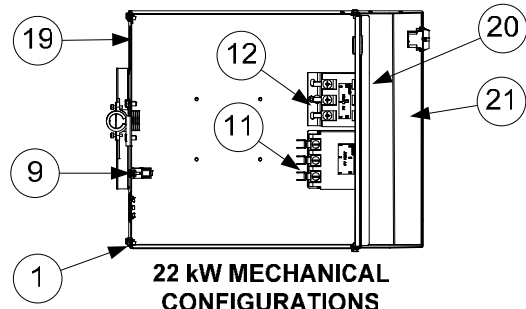
STANDARD 14/17 kW CONFIGURATIONS



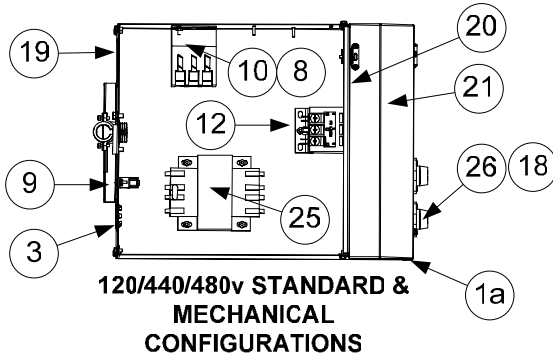
14/17 kW MECHANICAL CONFIGURATIONS



22 kW CONFIGURATIONS

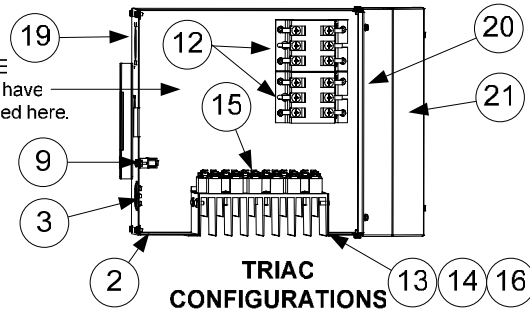


22 kW MECHANICAL CONFIGURATIONS

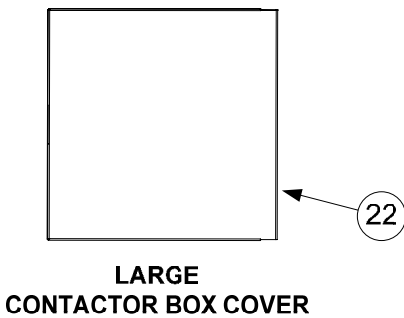


120/440/480v STANDARD & MECHANICAL CONFIGURATIONS

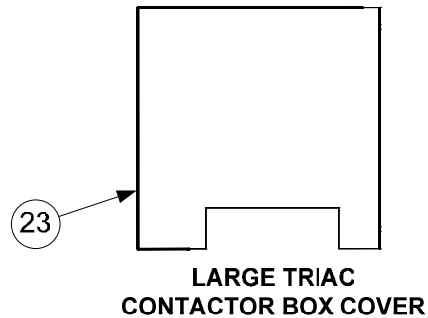
Some CE WYE configurations have Item 24 mounted here.



TRIAC CONFIGURATIONS



LARGE CONTACTOR BOX COVER



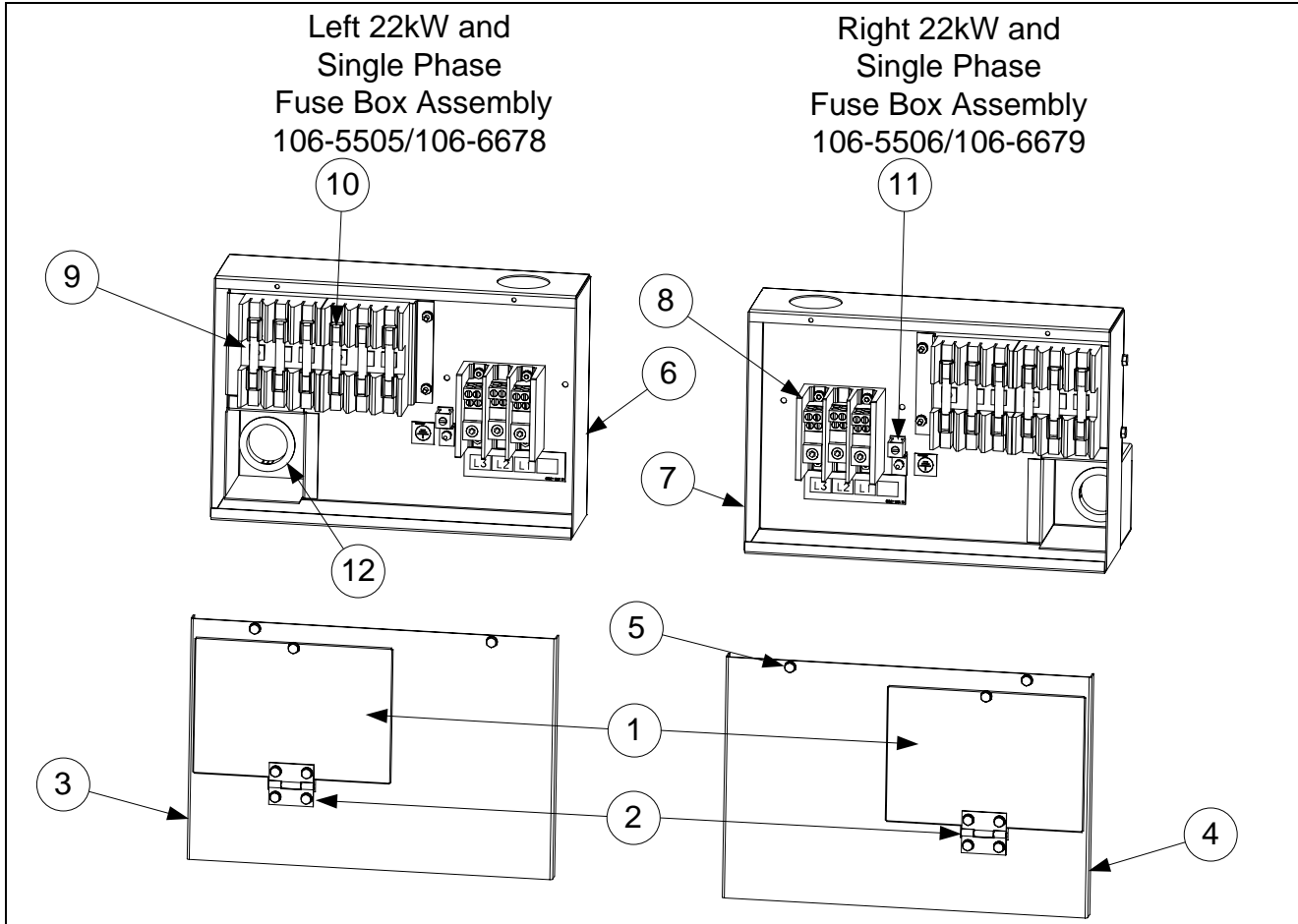
LARGE TRIAC CONTACTOR BOX COVER

2.5.2.2 Large Center Contactor Box Configurations (Non-Filter, Not Over the Filter and Single Units) cont.

ITEM	PART #	COMPONENT
1	106-6081	Box Assembly, Contactor (Non-Filter or Not Over the Filter Pan)
1a	106-6255	Box, Assembly Contactor (Non-Filter or Not Over the Filter Pan) <i>120/440/480V</i>
2	106-6173	Box Assembly, Contactor EPRI (Non-Filter or Not Over the Filter Pan)
*	106-6244	Box Assembly, Contactor Single-Station Fryer Only
3	810-2554	Plug, Cord Cutout 1.125 Button
4	807-1947	Plug, .875 Diameter Dome
5	221-0482	Cover, Left Hand Contactor Box
6	222-0482	Cover, Right Hand Contactor Box
7	807-0070	Terminal, Ground Lug
8	807-1071	Contacto, 24V 30 Amp Mercury
9	807-0884	Contacto, 24V 50 Amp Mercury
10	807-2284	Contacto, 24V 50 Amp Mechanical (<i>only in 14kW & 17kW units</i>)
11	807-2283	Contacto, 24V 63 Amp Mechanical (<i>only in 22kW units</i>)
12	810-1202	Contacto, 600V 40 Amp 3-Pole
13**	806-8674	Heatsink Assembly, DV Solid State Relay (See components below)
14**	806-8673	Heatsink Assembly, FV Solid State Relay (See components below)
		Components of Items 13 and 14
15	826-1562	Kit Relay, Solid State 40 Amp 280V with Heatsink
16	807-2749	Heatsink, Solid State
17	807-0037	Terminal, ¼-inch Push-on
18	807-2278	Fuse, 20 Amp
19	823-5729	Plate, Contactor Back Cordset
20	220-1087	Bracket, Box Connecting
21	220-1088	Cover, Contactor Box Front
22	220-1089	Cover, Contactor Box Top (Non-Filter or Not Over the Filter Pan)
*	220-1175	Cover, Contactor Box Top Full Vat Single-Station Fryer Only
*	220-1373	Cover, Contactor Box Top Dual Vat Single-Station Fryer Only
23	220-1152	Cover, Contactor Box Top EPRI (Non-Filter or Not Over the Filter Pan)
24	106-6204	Filter Assembly, EPRI (<i>used in CE WYE-configured EPRI units only</i>)
25	807-0064	Transformer, 480V/120V 150VA
26	807-0922	Holder, Bus Fuse
*	807-0012	Relay, Tilt Switch 18 Amp 1/3 HP 24 V Coil

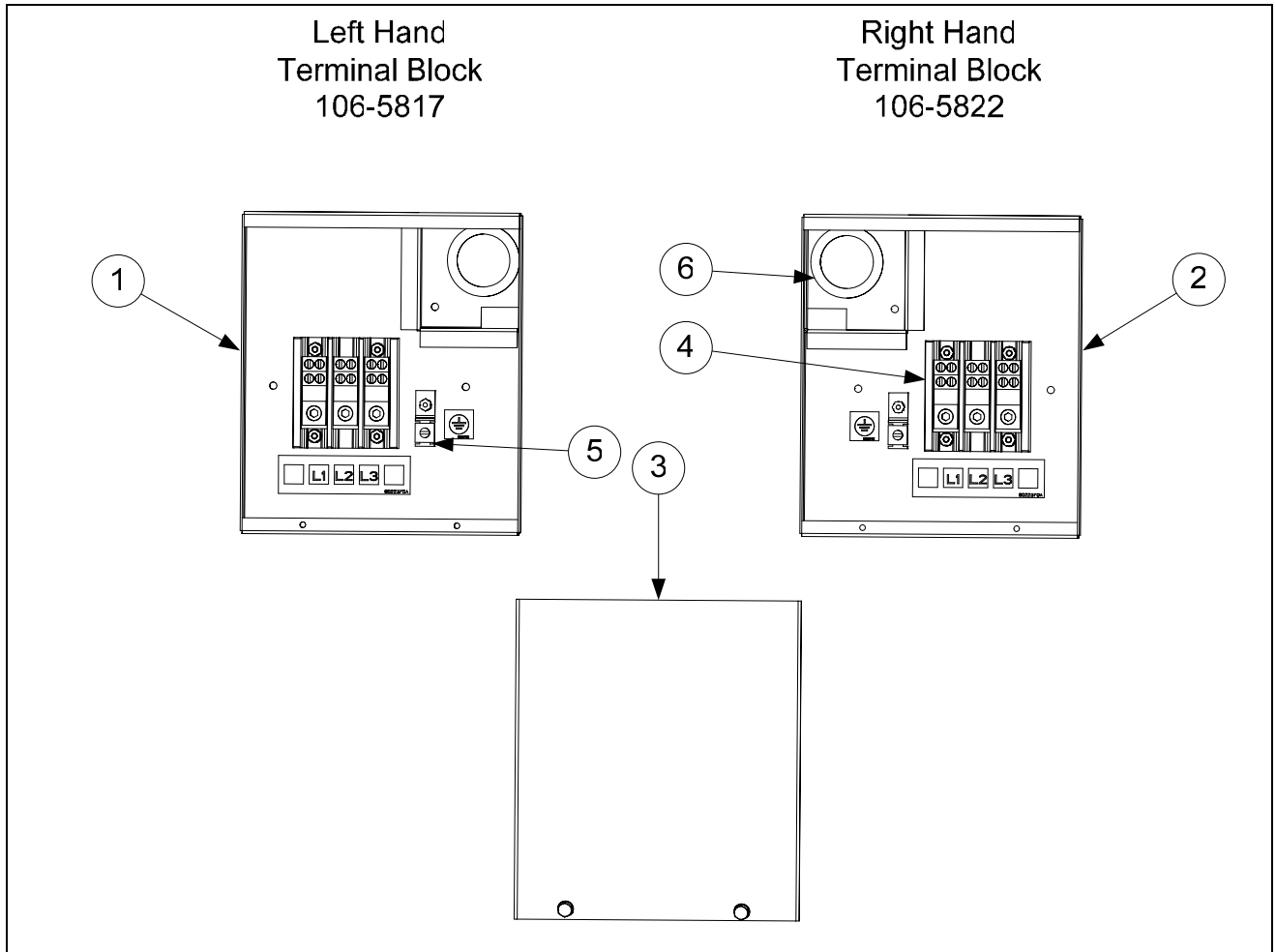
*Not illustrated. ** Full Vat has three relays 826-1562, Dual-Vat has six relays.

2.5.3 Fuse Boxes



ITEM	PART #	COMPONENT
1	200-2334	Door
2	810-0519	Hinge
3	221-0523	Cover, LH Fuse Box
4	222-0523	Cover, RH Fuse Box (<i>Used on Single Station Fryers also</i>)
5	809-0434	Screw, #10 x 3/8" Hex
6	823-5585	Box, LH Fuse
7	823-5557	Box, RH Fuse
	823-5797	Box, Single Station Fryer Only
8	807-3970	Block, 3 Pole 600V 175A Terminal
9	807-0501	Fuse Block, Buss #2968 3-Pole
10	807-2240	Fuse, 60 AMP 300VAC
11	807-0070	Terminal, Ground Lug
12	807-0128	Bushing, Insulating Heyco

2.5.4 Terminal Blocks

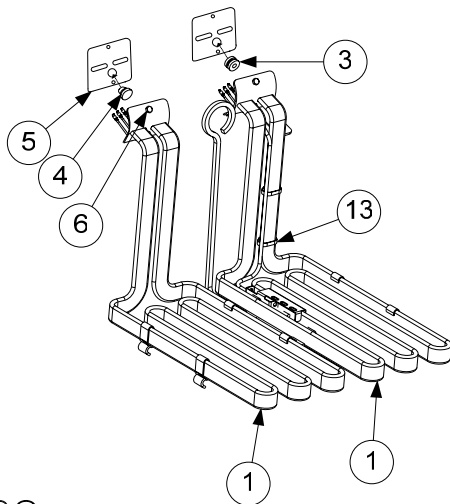


ITEM	PART #	COMPONENT
1	823-5631	Box, LH Rear Terminal Block
2	823-5632	Box, RH Rear Terminal Block
	823-5797	Box, Single Station Fryer Only (<i>see previous page for cover 222-0523</i>)
3	220-0801	Cover, Rear Terminal Block Box
4	807-3970	Block, 3 Pole 600V 175A
5	807-0070	Terminal, Ground Lug
6	807-0128	Bushing, Insulating Heyco

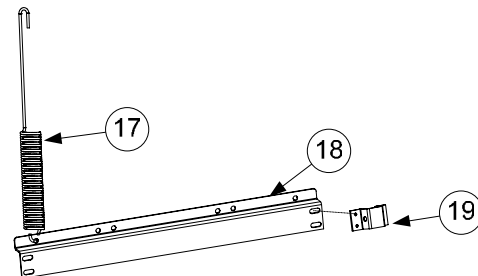
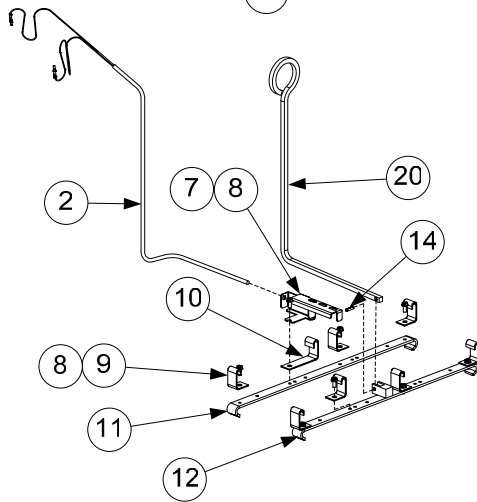
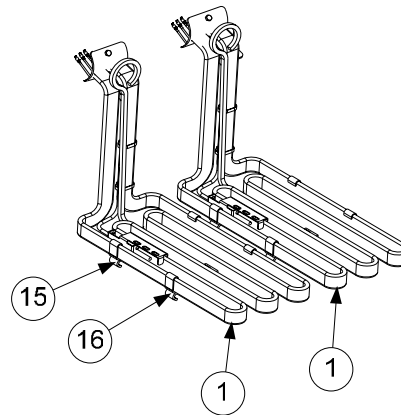
2.5.5 Heating Element Assemblies and Associated Parts

2.5.5.1 Element Assemblies and Hardware

FULL-VAT ELEMENT ASSEMBLY



DUAL-VAT ELEMENT ASSEMBLY



NOTES:

The dual-vat assembly is almost the same as the full-vat assembly except for having two of Items 2, 7, 14 and 20, two of Item 15 in place of Item 11, two of Item 16 in place of Item 12, and two of Item 3 instead of one Item 3 and one Item 4. The only difference between element assemblies for different voltage and kW ratings is the element itself (Item 1).

Items 17, 18 and 19 are shown as associated parts. They are not part of either assembly.

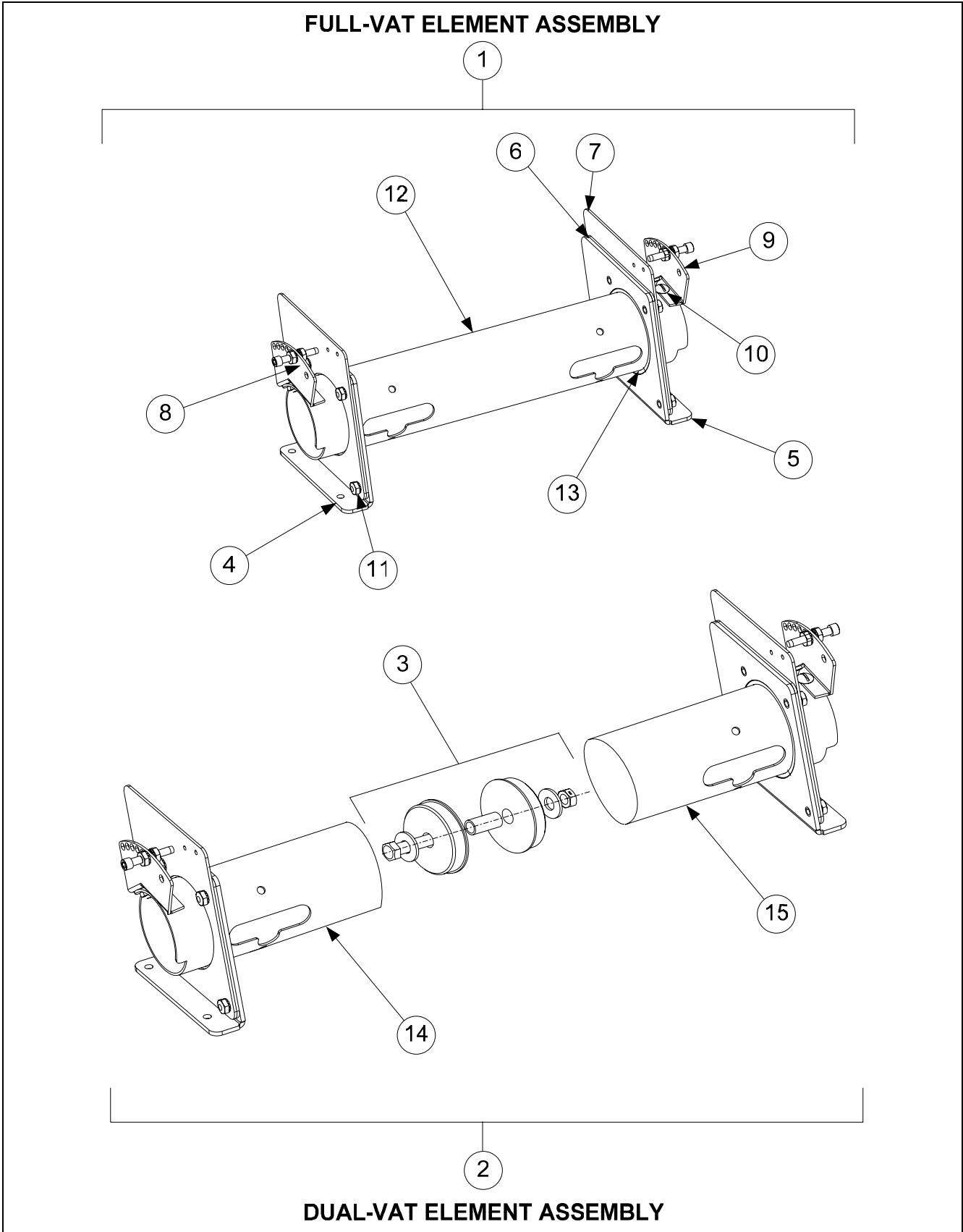
**NOTE: These elements apply only to the RE series fryers.
For the previous model elements see manual PN 819-5990.**

2.5.5.1 Heating Element Assemblies and Associated Parts cont.

ITEM	PART #	COMPONENT
1		Element Kits – <i>includes gaskets, grommets, tie wraps, screws and nuts.</i>
	826-2198	200V 7.0 kW (also used for 220V 8.5 kW)
	826-2201	200V 8.5 kW
	826-2208	200V 11.0 kW
	826-2192	208V 7.0 kW
	826-2197	208V 8.5 kW
	826-2210	208V 11.0 kW
	826-2200	220V 7.0 kW (also used for 240V 8.5 kW)
	826-2205	220V 11.0 kW
	826-2193	230V 7.0 kW
	826-2199	230V 8.5 kW
	826-2206	230V 11.0 kW
	826-2194	240V 7.0 kW
	826-2207	240V 11.0 kW
	826-2204	400V 8.5kW
	826-2195	440V 7.0 kW
	826-2202	440V 8.5 kW
	826-2211	440V 11.0 kW
	826-2196	480V 7.0 kW
	826-2203	480V 8.5 kW
	826-2209	480V 11.0 kW
2	826-2212	Probe, Temperature RE – <i>includes tie wraps and grommet.</i>
	807-4324	Probe, Temperature Fast Ready
3	816-0681	Grommet, Probe
4	816-0480	Plug, .375-inch Dome
5	816-0688	Gasket, Element
6	809-1003	Screw, 10-32 X 3/8-inch Hex Head SS
*	809-0766	Nut, 10-32 Keps Hex Head SS
7	910-5022	Bracket, Temperature Probe 7.0 kW
	230-0784	Bracket, Temperature Probe 8.5/11 kW
8	809-0518	Screw, 8-32 X 3/8-inch Slotted Hex Head
9	910-2042	Clamp, Element (Short)
10	230-0781	Clamp, Element (Long)
11	230-0780	Support, Full-Vat Element Rear
12	823-5621	Support, Full-Vat Element Front
13	809-0567	Tie-Wrap, Metal
14	810-1212	Pin, .125 X .5-inch Split
15	230-0791	Support, Dual-Vat Element Rear Dual Vat (<i>used also in Front Dual Vat 22kw</i>)
16	823-5624	Support, Dual-Vat Element Front Dual Vat 14kW
	823-5627	Support, Dual-Vat Element Front Dual Vat 17kW
17	810-3030	Spring, Element Lift Left
	810-3031	Spring, Element Lift Right
18	220-1190	Bracket, Lower Spring Single Foot Print
	220-0464	Bracket, Lower Spring
	220-1855	Bracket, Lower Spring Fryer 1/2
19	220-0733	Bracket, Lower Spring Mating
20	810-1233	Handle, Element Lift

* Not illustrated.

2.5.5.2 Element Tube Assemblies

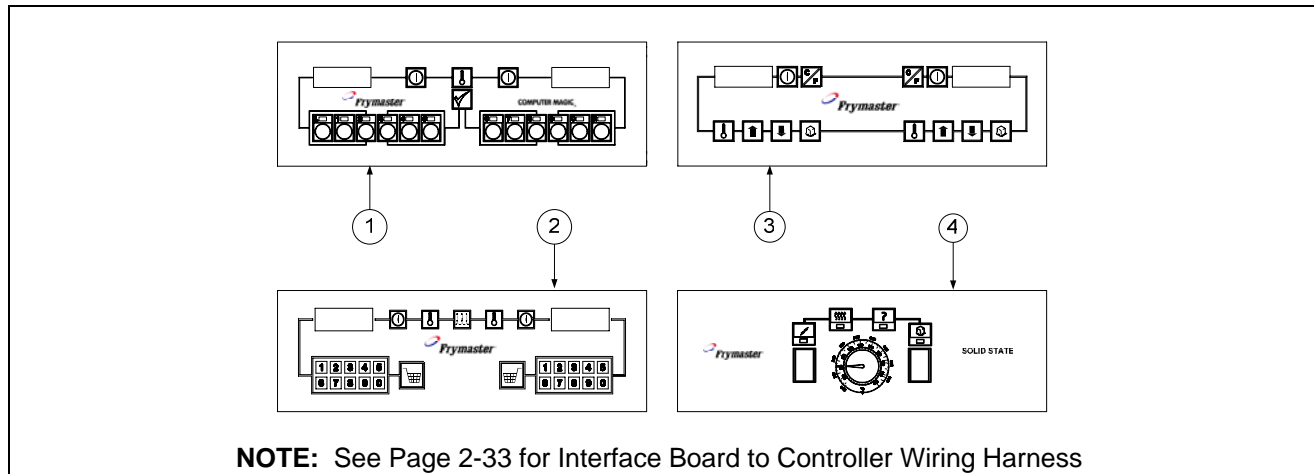


2.5.5.2 Element Tube Assemblies cont.

ITEM	PART #	COMPONENT
1	106-5374	Tube Assembly RE Element, Full-Vat
	106-6736	Tube Assembly RE Element Fryer ½ LH Half Fryer (<i>use 106-6061 RH Half Fryer</i>)
2	106-5457	Tube Assembly RE Element, Dual-Vat
3	106-5438	Bushing Assembly, Center Tube RE, Dual-Vat
	809-0996	Bolt, Stand Hex 1 ½" x 3/8" – 16
	809-0998	Washer, 3/8" SAE
	809-0999	Nut, 3/8" 16, 2-Way Lock 18-8
	810-2996	Bushing, Aluminum DV Tube
	810-3013	Spacer, RE DV Bushing
4	106-5329	Bracket Assembly, LH Element Tube Support
5	106-5330	Bracket Assembly, RH Element Tube Support
6	220-0122	Plate, Element Tube Support Inner
7	220-0123	Plate, Element Tube Support Outer
8	106-6569	Bracket Assembly, LH Upper Spring
9	106-6570	Bracket Assembly, RH Upper Spring
10	826-1330	Screw, 10-32 X ¾-inch Slotted Truss Head (Pkg. of 25)
11	809-0766	Nut, 10-32 Hex HD SS
12	106-6037	Tube, FV Element Mounting
	810-3135	Tube, Fryer ½ LH Half Fryer (<i>use 810-3036 RH Half Fryer</i>)
13	810-2993	Bushing, Tube End Teflon
14	106-6038	Tube, DV Element Mounting, LH
15	106-6039	Tube, DV Element Mounting, RH
*	106-6587	Magnetic Position Sensor Assembly
*	106-6588	Magnetic Position Sensor Assembly with Bracket
*	810-3007	Magnet
*	230-0794	Bracket, Magnetic Position Sensor Wire

* Not illustrated.

2.5.6 Controllers



ITEM	PART #	COMPONENT
1		Computer Magic III.5
	106-4335SP	Full-Vat (CE)
	106-4336SP	Dual-Vat (CE)
	106-4373SP	Full-Vat (Non-CE)
	106-4374SP	Dual-Vat (Non-CE)
	106-4337SP	Full-Vat (EPRI/Solid State)
	106-4338SP	Dual-Vat (EPRI/Solid State)

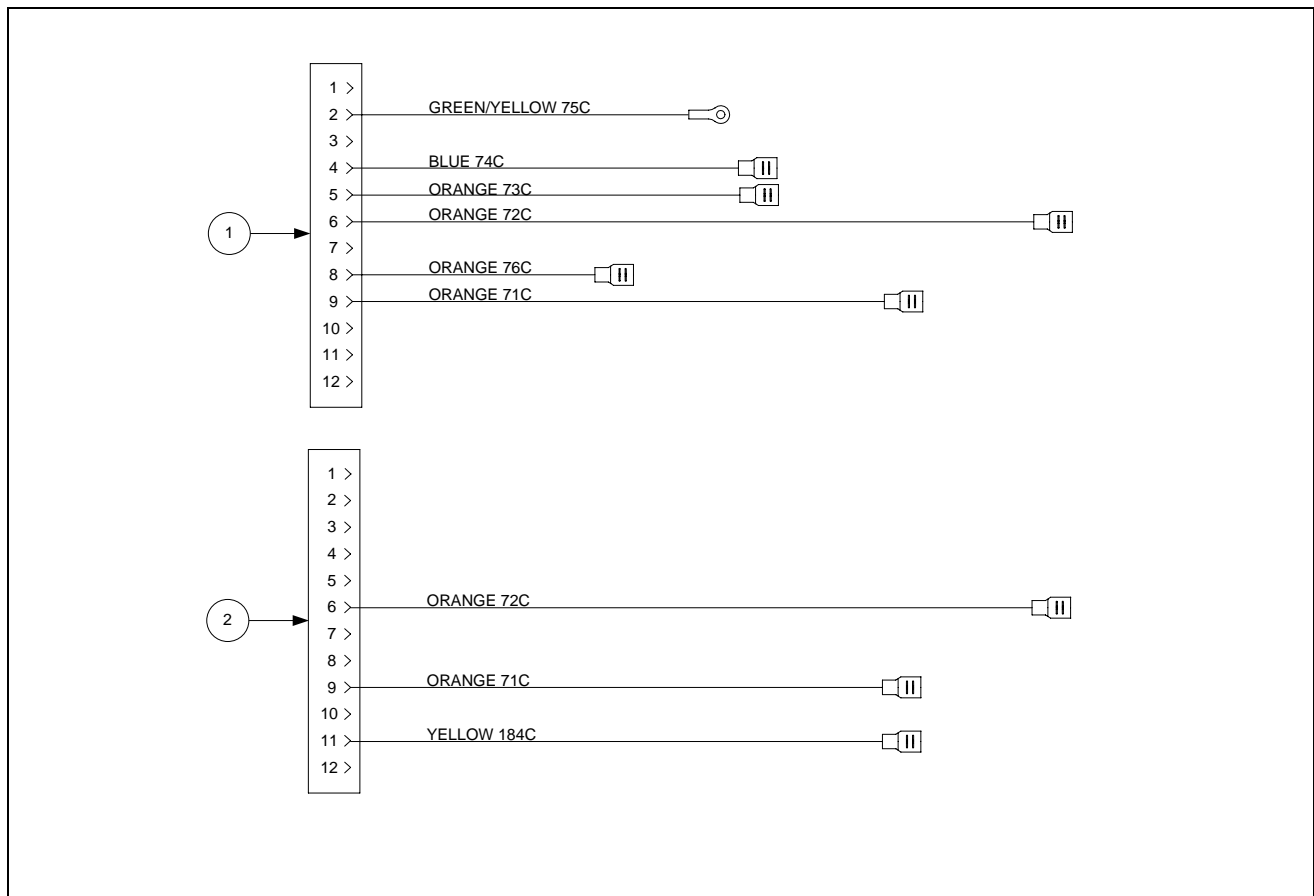
continued on the following page

2.5.6 Controllers cont.

ITEM	PART #	COMPONENT
2		Digital Controller
	106-4343	Full-Vat (CE)
	106-4344	Dual-Vat (CE)
	106-4339	Full-Vat (Non-CE)
	106-4340	Dual-Vat (Non-CE)
3		Basket Lift Timer
	106-4365	Full-Vat (CE)
	106-4366	Dual-Vat (CE)
	106-4363	Full-Vat (Non-CE)
	106-4364	Dual-Vat (Non-CE)
4		Solid-State (Analog) Controller
	106-4333	Full-Vat
	106-4334	Dual-Vat
*	802-2021	Graphic Sheet of Symbols

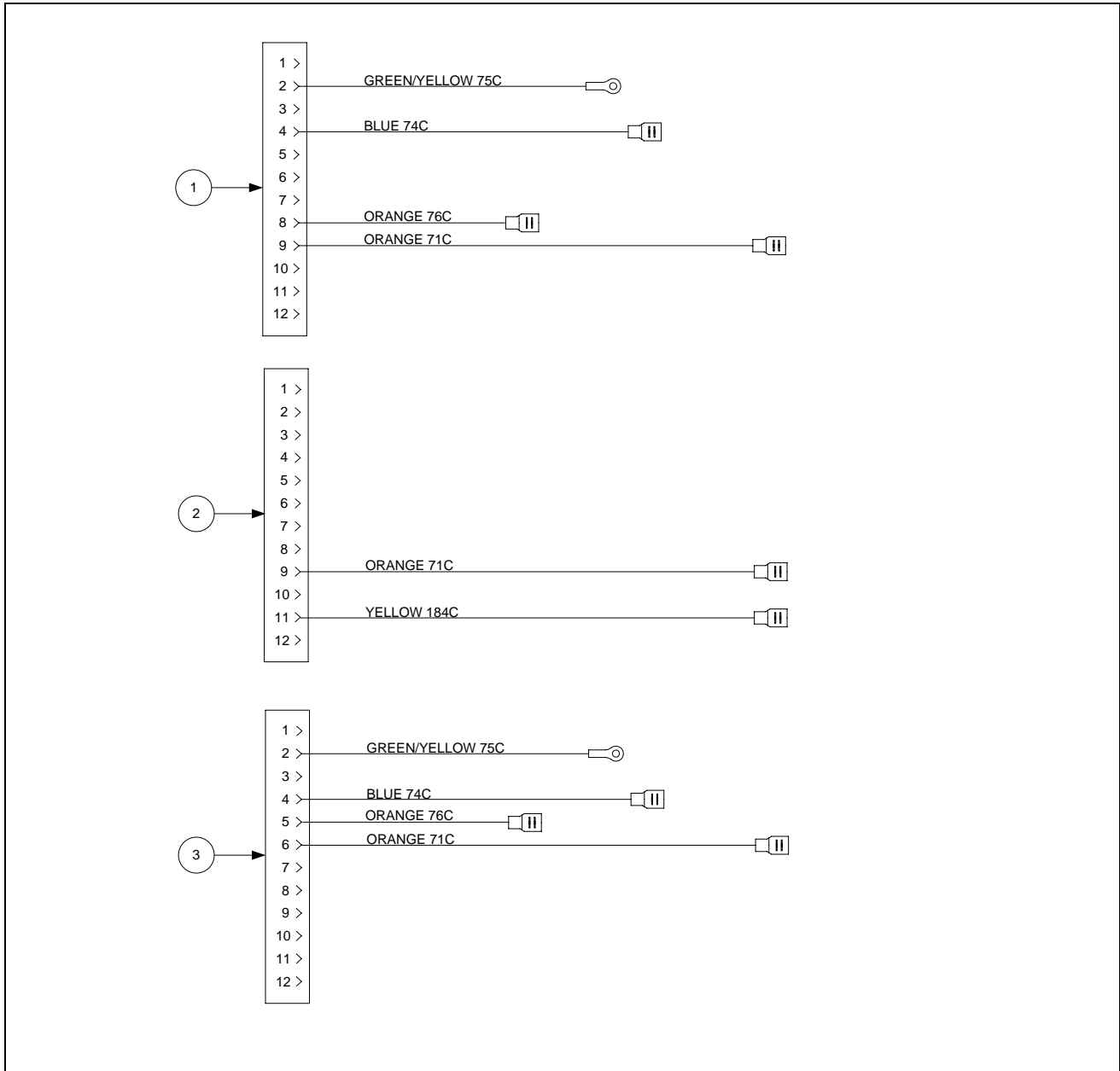
2.5.7 Wiring

2.5.7.1 Contactor Box Wiring Assemblies – 12-Pin Dual-Vat C-1



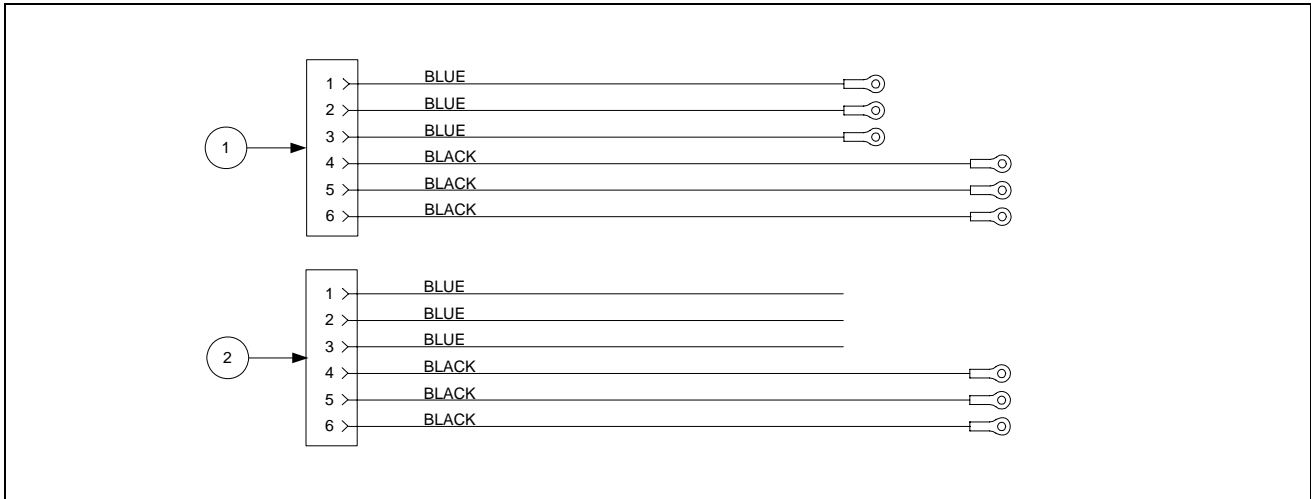
ITEM	PART #	COMPONENT
	106-5980	Contactor Box Harness Assembly Dual Vat
1		Standard
2		EPRI

2.5.7.2 Contactor Box Wiring Assemblies – 12-Pin Full-Vat C-1



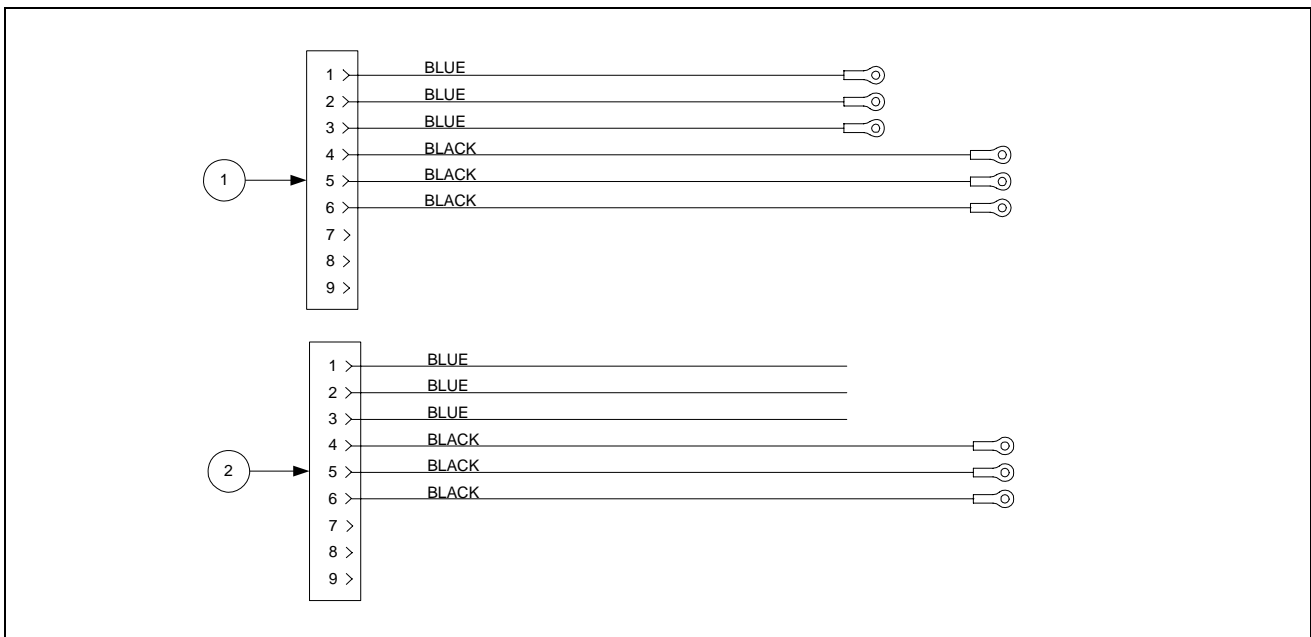
ITEM	PART #	COMPONENT
	106-6031	Contactor Box Harness Assembly Full Vat
1		Standard
2		EPRI
3	106-7042	Fryer and 1/2

2.5.7.3 Contactor Box Wiring Assemblies – 6-Pin (Left Element)



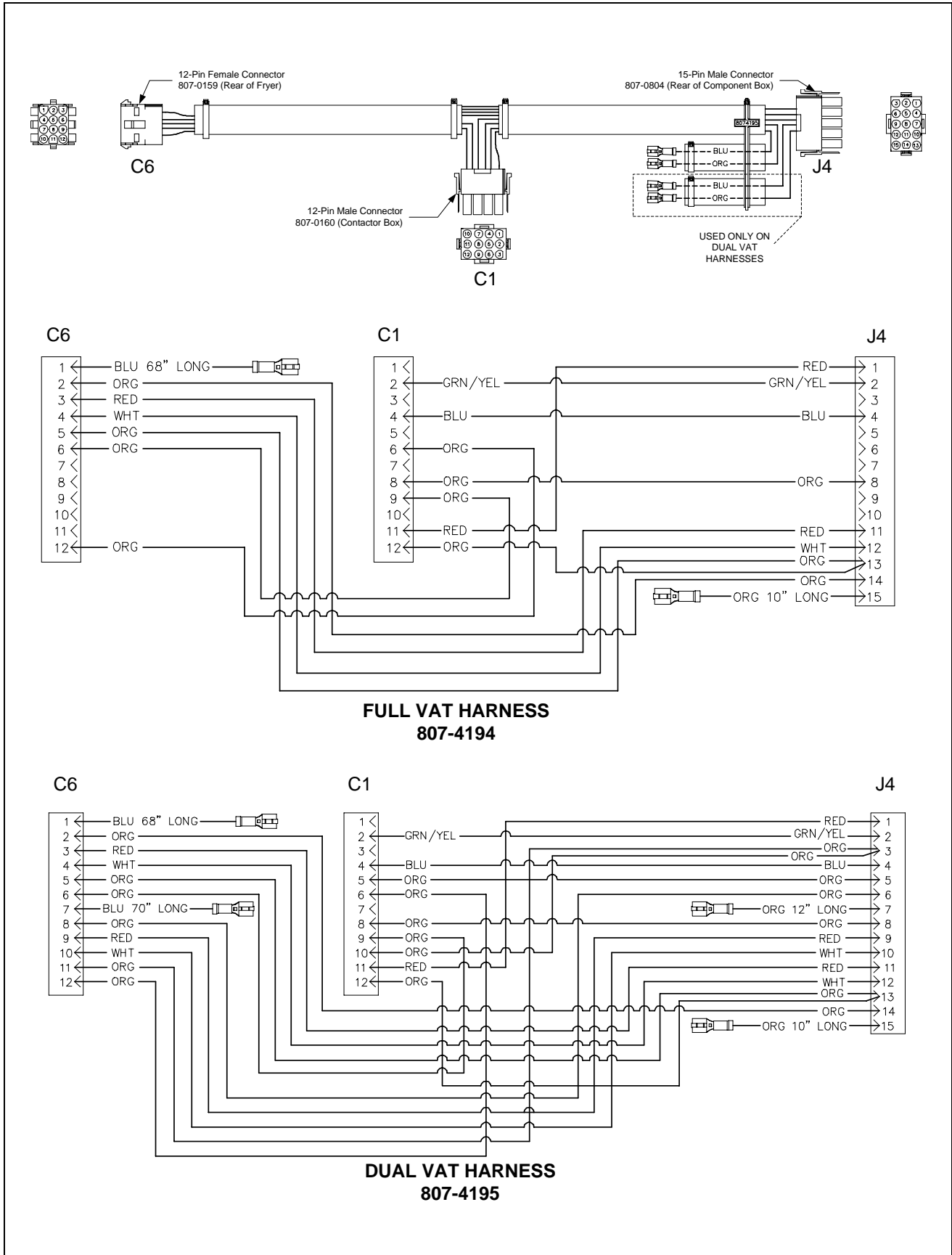
ITEM	PART #	COMPONENT
1	106-6035	14/17 kW Standard (<i>use 106-7001 for Fryer 1/2 Half Element</i>)
	106-6251	Single FP Element Harness 6-pin and 9-pin
2	106-6054	22 kW and Mechanical Contactor (MDI)
	106-6252	Single 22kW and Mechanical Contactor (MDI) Element Harness 6 & 9-pin

2.5.7.4 Contactor Box Wiring Assemblies – 9-Pin (Right Element)

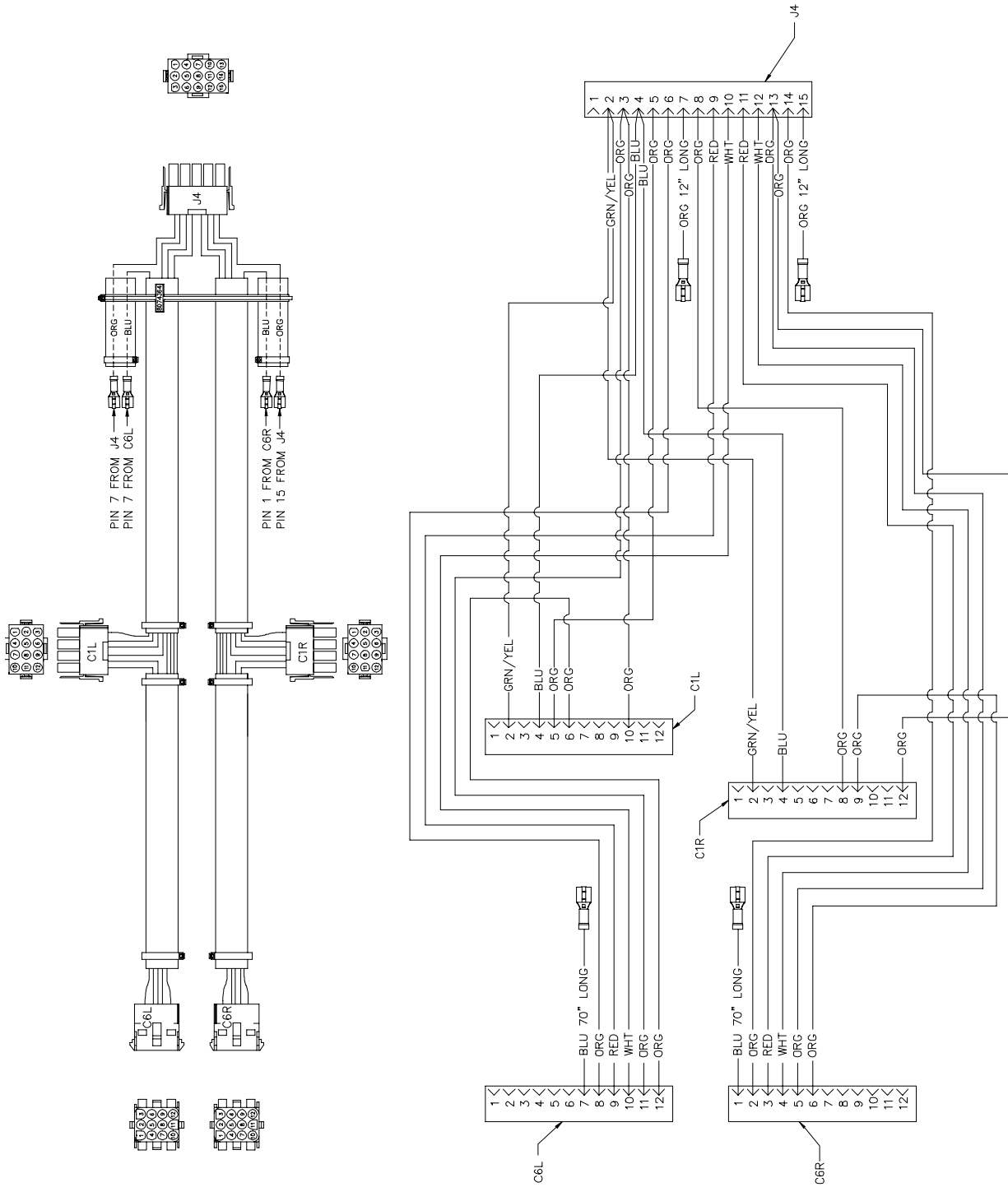


ITEM	PART #	COMPONENT
1	106-6036	14/17 kW Standard (<i>use 106-7002 for Fryer 1/2 Half Element</i>)
	See above	Single FP Element Harness 6 and 9-pin
2	106-6055	22 kW and Mechanical Contactor (MDI)
	See above	Single 22kW and Mechanical Contactor (MDI) Element Harness 6 & 9-pin

2.5.7.5 Main Wiring Harnesses - Full and Dual Vat

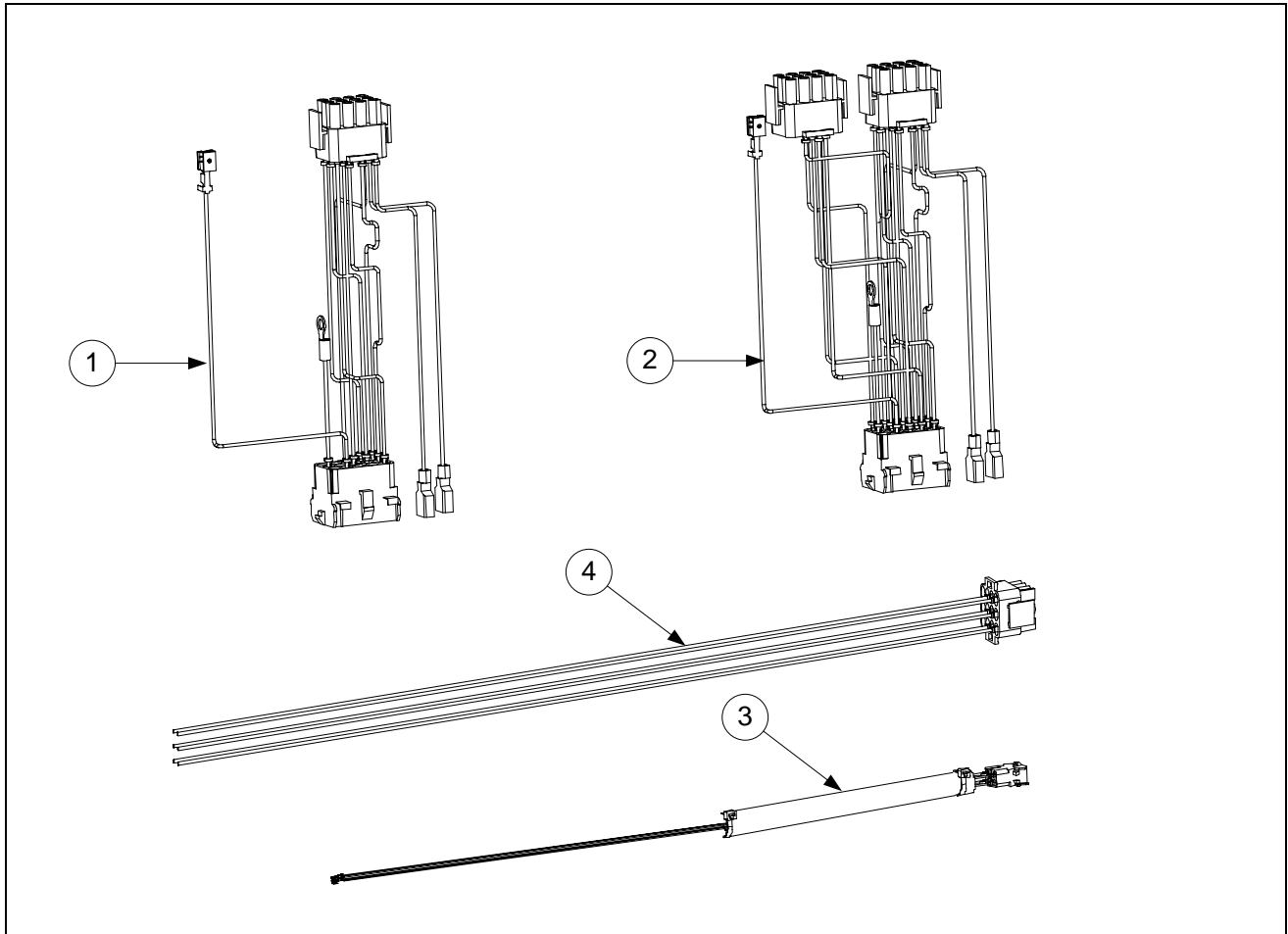


2.5.7.5 Main Wiring Harnesses – Fryer and ½



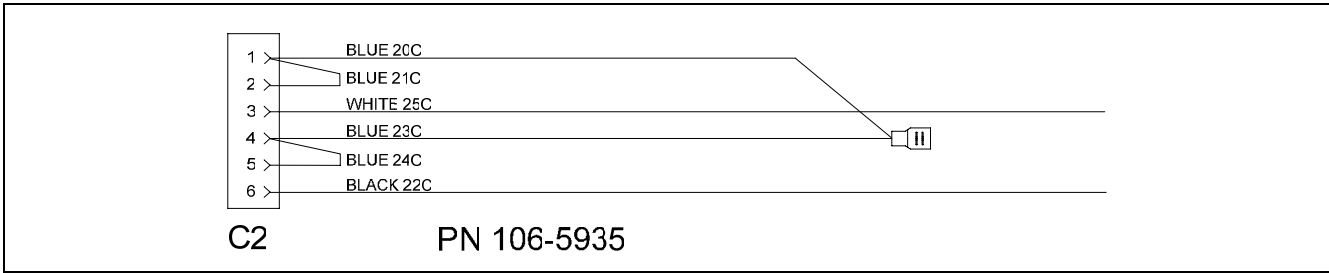
**FRYER AND ½ HARNESS
807-4364**

2.5.7.6 Component Box, Filter Pump and Basket Lift Wiring Harnesses

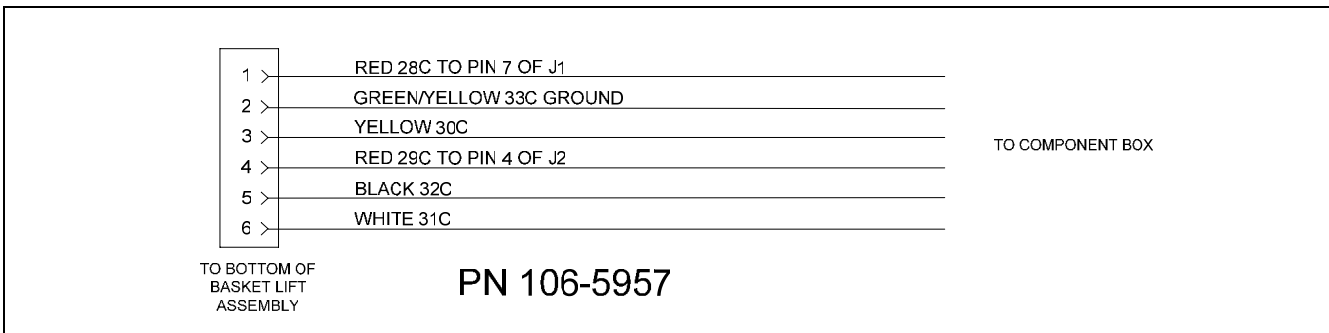


ITEM	PART #	COMPONENT
1	106-5750	Full Vat Control Harness J4 to J2 (<i>Standard</i>)
	106-6639	Full Vat Control Harness J4 to J2 (<i>EPRI</i>)
2	106-5751	Dual Vat Control Harness J4 to J1 and J2 (<i>Standard</i>)
	106-6644	Dual Vat Control Harness J4 to J1 and J2 (<i>EPRI</i>)
3	106-5935	Filter Pump C2 to Component Box Wiring Harness
4	106-5957	Basket Lift Harness Assembly (<i>Standard</i>)
	106-6640	Basket Lift Harness Assembly (<i>EPRI</i>)

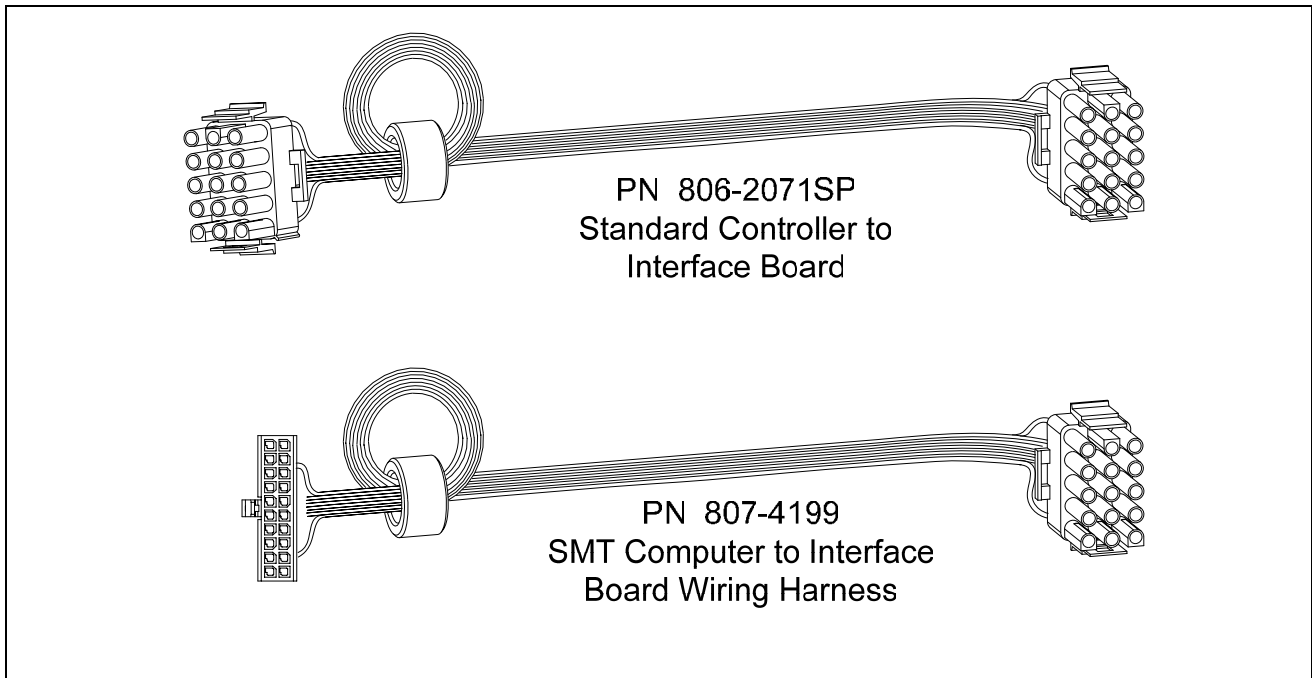
2.5.7.7 Component Box to Filter Pump Harness



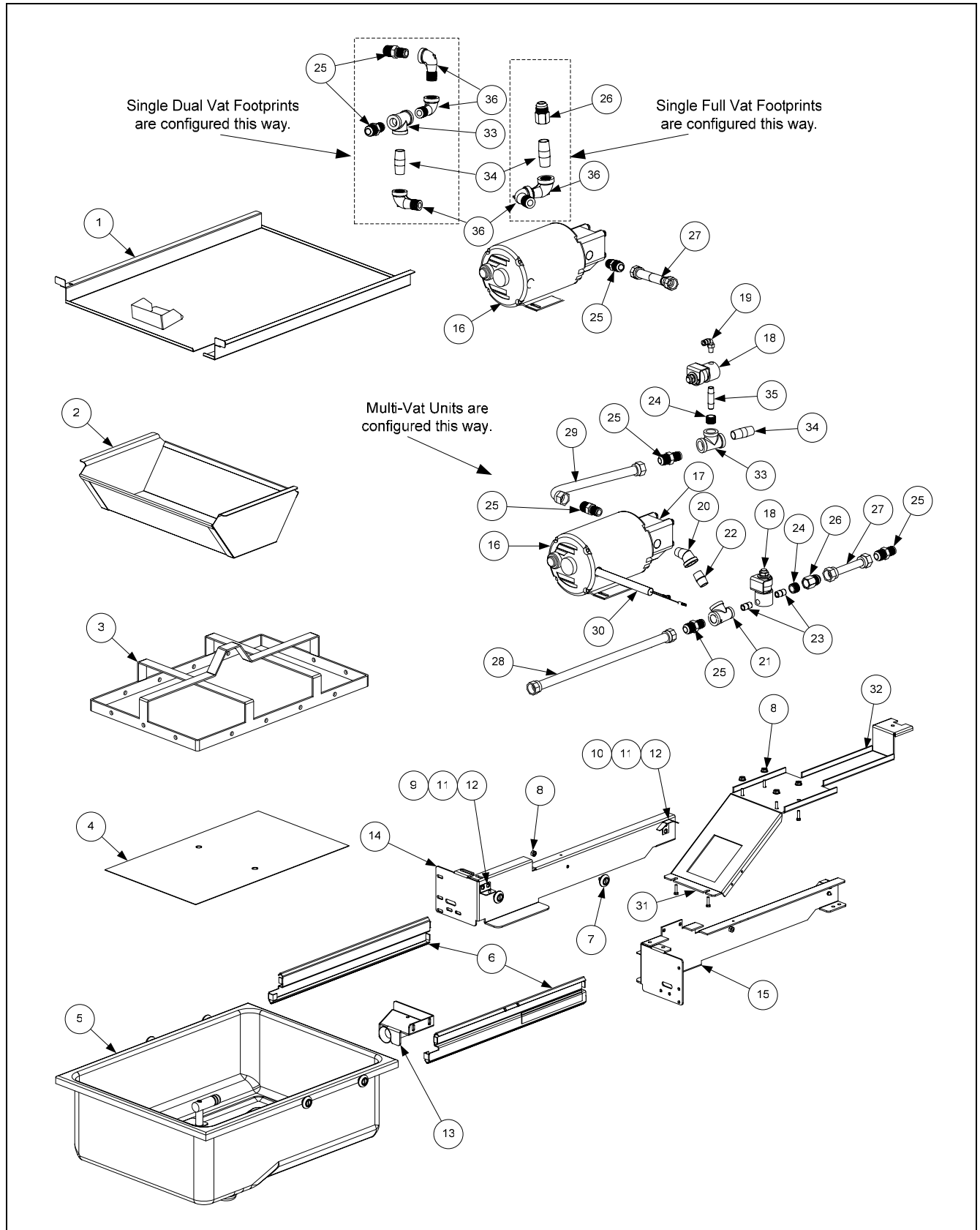
2.5.7.8 Basket Lift Harness



2.5.7.9 Interface Board to Controller Wiring Harness – 15-Pin



2.6 Filtration System Components



2.6 Filtration System Components cont.

ITEM	PART #	COMPONENT
*	826-1979	Filter Pan Roller Kit (four each of Items 7 and 8)
*	826-1980	Service Filter Pan (Item 5 minus Item 2)
*	826-1981	Service Filter Pan Assembly (Service Filter Pan above plus Items 3 and 4)
*	826-1392	O-Ring (Pkg. of 5; used with Item 5)
*	813-0568	Plug, 1/8-inch Socket Head Pipe (component of Item 5; two required)
*	106-5911	Heater Strip Assembly, 100-120V 25W 18" 806-5933SP
*	106-2852SP	Heater Strip Assembly, 208-250V 25W 18"
1	823-4787	Lid, Multi-Vat Fryers Filter Pan
	106-6243	Lid, Single Station Fryer Only Full Vat Filter Pan
	106-6310	Lid, Single-Station Fryer Only Dual Vat Filter Pan
	106-6461	Lid, RE SCF Deep Cabinet Filter Pan
	106-6735	Lid, Fryer 1/2 Filter Pan
2	810-2874	Crumb Tray, Multi-Vat Fryers(component of Item 5)
	824-1707	Crumb Tray, Single Station Fryer Only
	823-5812	Crumb Tray, RE SCF Deep Cabinet
	824-1734	Crumb Tray, Fryer 1/2
3	810-2910	Hold-Down Ring for Paper 13.65 x 21.41 Multi-Vat Fryers
	823-5774	Hold-Down Ring for Paper 8.98 x 19.39 Single Station Fryer Only
	823-5811	Hold-Down Ring for Pad 15.75x 20.02 SCF Deep Cabinet
	823-5934	Hold-Down Ring for Paper 8.98 x 21.04 Fryer 1/2
4	200-2124	SanaGrid Filter Screen Standard
	220-1316	SanaGrid Filter Screen, Single Station Fryer Only
	220-1461	SanaGrid Filter Screen, SCF Deep Cabinet
	220-1795	SanaGrid Filter Screen, Fryer 1/2
5	106-2617SP	Pan, One-Piece Filter Multi-Vat Fryers (includes Item 2)
	823-5594	Pan, One-Piece Filter Single Station Fryer Only
	823-5933	Pan, One-Piece Filter Fryer 1/2
	823-5798	Pan, Filter RE SCF Deep Cabinet (<i>use 810-2805 Caster Front, 2" and 810-2807 Caster Rear 2" rigid</i>)
6	810-2012	Rail Set, Filter Pan Roller (includes one left and one right)
*	230-1381	Slide, Filter Pan SCF Deep Cabinet
	826-1979	Roller Kit (<i>includes 4 rollers, 4 nuts and 4 lock washers</i>)
7	810-2198	Roller, Filter Pan and Rail
8	826-1372	Nut, 1/4-20 Hex (Pkg. of 10)
*	809-0191	Washer, Lock 1/4 Spring ZP
9	823-4675	Bracket, Lid Support
10		Guide, Filter Pan Lid
	200-3556	Left
	200-6709	Right
11	809-0503	Screw, 8-32 X 1/2-inch Slotted Truss Head
12	809-0247	Nut, 8-32 Hex Keps
13	823-3879	Suction Tube, Multi-Vat Fryer
	823-5591	Suction Tube, Single-Station Fryer

* Not illustrated.

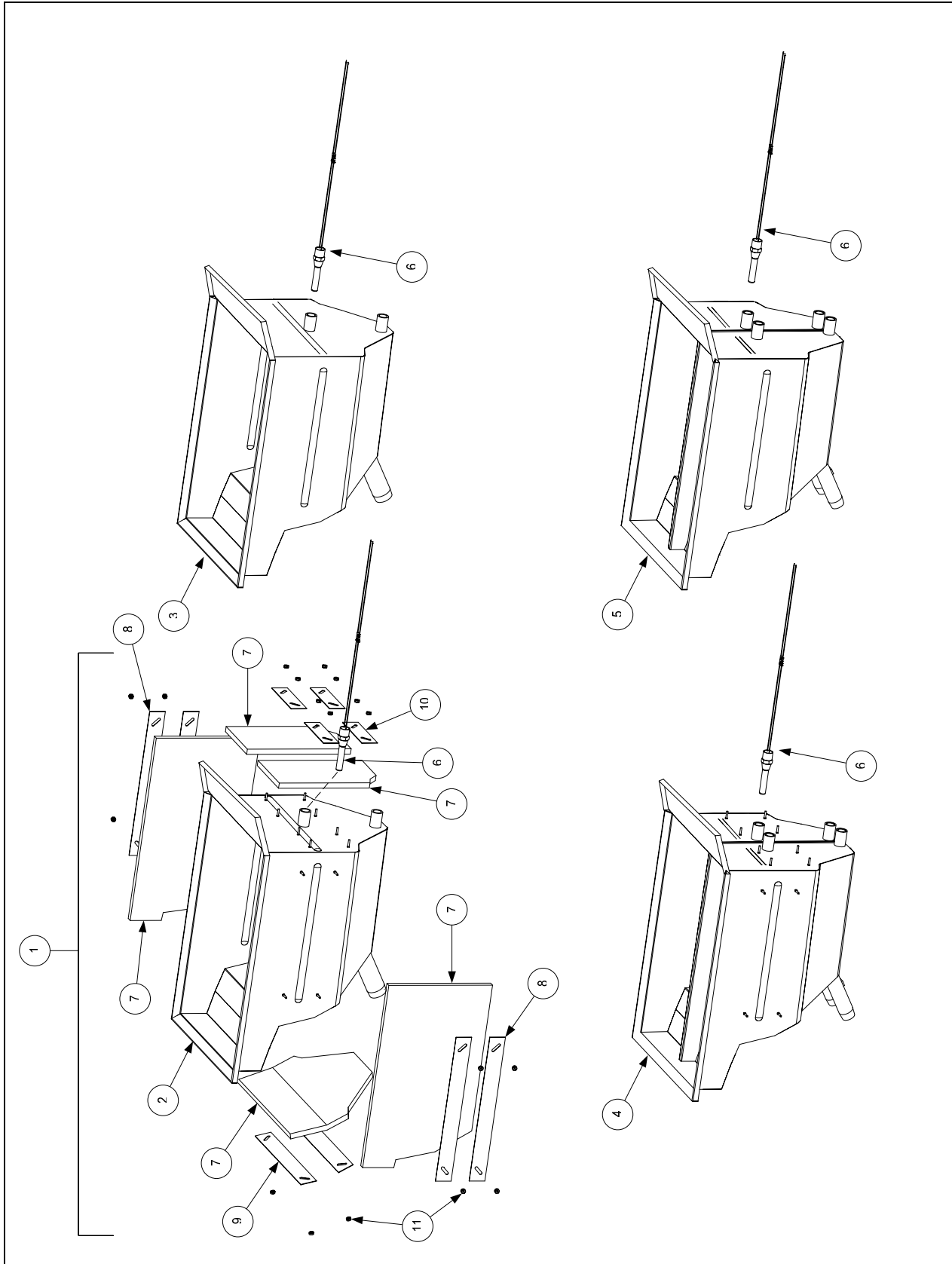
Continued on next page...

2.6 Filtration System Components cont.

ITEM	PART #	COMPONENT
14	200-4408	Rail, Left Pan Filter Multi-Vat Fryers
	106-5981	Support Assembly, Left Single Station Fryer Only
	220-1378	Support, Left Filter Pan SCF Deep Cabinet
	220-2069	Support, Left Filter Pan Fryer ½
15	200-4409	Rail, Right Filter Pan Multi-Vat Fryers
	106-5982	Support Assembly, Right Single Station Fryer Only
	220-1379	Support, Right Filter Pan SCF Deep Cabinet
	220-2070	Support, Right Filter Pan Filter ½
16		Motor and Gasket Kit
	826-1785	100V 50/60 Hz
	826-1712	115V 50/60 Hz
	826-1756	208V 50/60 Hz
	826-1270	220-240V 50/60 Hz
	826-1755	250V 50/60 Hz
17	826-1264	Pump and Gasket Kit 4 GPM 2-piece
	816-0093	Gasket, Pump/Motor
*	807-11973	Seal Kit, Pump Viking
	810-2902	Pump, Viking 8 GPM SCF Deep Cabinet
18	807-2484	Valve, ¼-inch Solenoid
19	810-2493	Fitting, ¼-inch x 90° Quick-Connect
*	811-1071	Tubing, ¼-inch OD Teflon Vent (sold by the foot)
20	813-0342	Elbow, ½-inch 45° Street
21	813-0530	Tee, ½-inch X ¼-inch X ½-inch Reducing
22	813-0022	Nipple, ½-inch Close
23	813-0838	Nipple, ¼-inch Close
24	813-0304	Bushing, ½-inch to ¼-inch Flush
25	810-1668	Adapter, ⅝-inch to ½-inch NPT Male
26	810-1669	Adapter, ⅝-inch to ½-inch NPT Female
27	810-1680	Flexline, 6.5-inch Oil Return
28	810-1057	Flexline, 13-inch Oil Return
29	810-1043	Flexline, 9.5-inch Oil Return
30		Wiring Harness, Filter Pump
	106-5910	115/120V Filter Harness
	106-5906	208/230/240/250V Filter Harness
31	809-0401	Screw, 10-32 X ¾-inch Hex Trim Head (Pkg. of 5)
32	200-7112	Bridge, Filter Motor Multi-Vat Fryers
	824-1705	Bridge Filter Motor Single Station Fryer Only
	220-1346	Bridge, Filter Motor SCF Deep Cabinet
	220-2080	Bridge, Filter Motor Fryer ½, Half Fryer LH side
	220-1837	Bridge, Filter Motor Fryer ½, Half Fryer RH side
33	813-0003	Tee, ½-Inch
34	813-0298	Nipple, ½-inch 2.0-inch
35	813-0537	Nipple, ¼-inch 2.0-inch
36	813-0165	Elbow, ST ½-inch x ½-inch NPT 90° BM

* Not illustrated.

2.7 Frypot Assemblies and Associated Parts

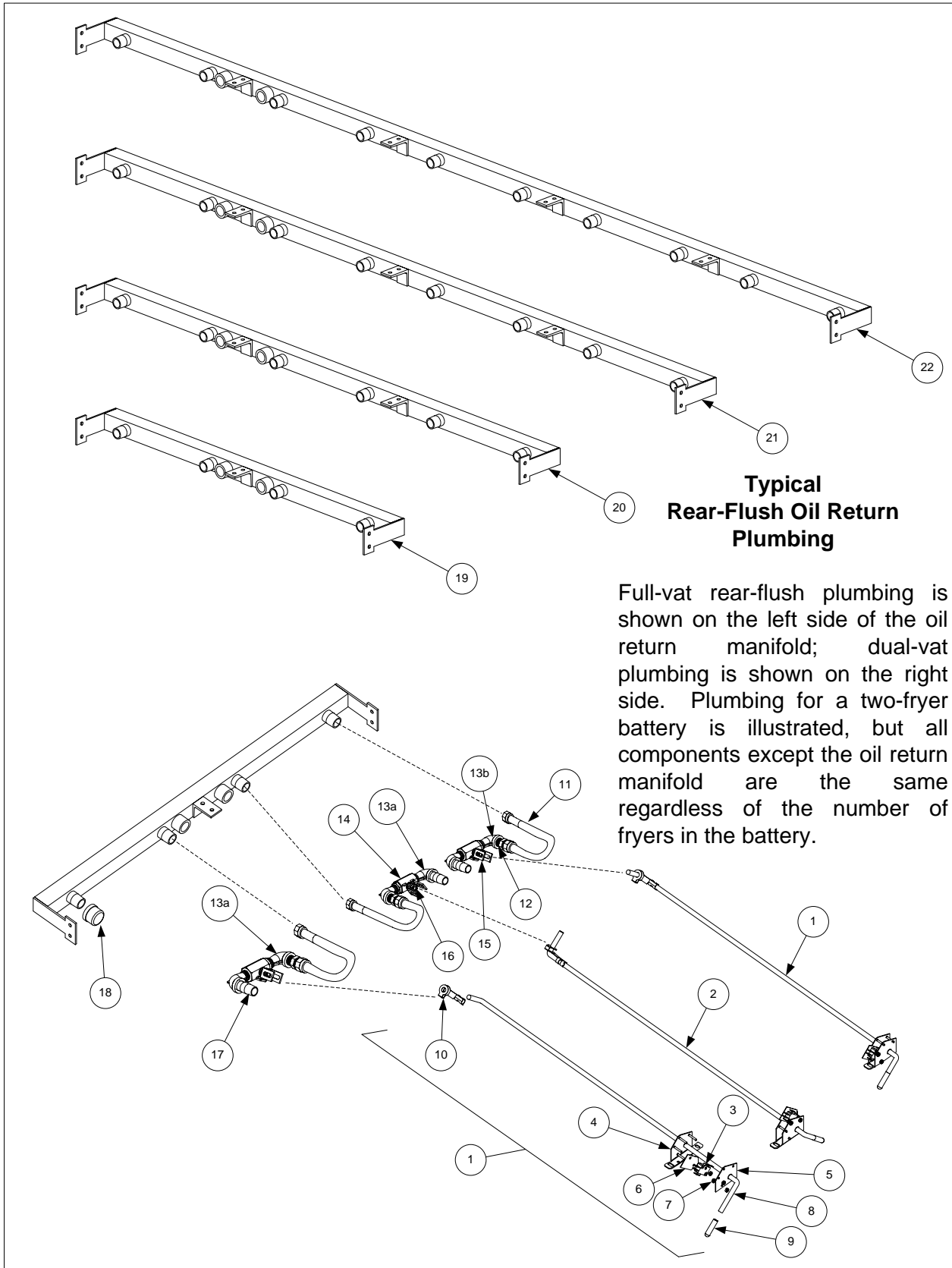


2.7 Frypot Assemblies and Associated Parts cont.

ITEM	PART #	COMPONENT
1		Frypot Assembly (<i>does not include Item 6</i>)
2	823-5545SP	Frypot, Full-Vat Filter with Insulation (<i>for use on EPRI units</i>)
3	823-5359SP	Frypot, Full-Vat Filter w/o Insulation (<i>for use on Standard units</i>)
	823-5996	Frypot, Half-Vat Filter w/o Insulation LH (<i>for use on Fryer 1/2 LH units</i>)
	823-5723	Frypot, Half-Vat Filter w/o Insulation RH (<i>for use on Fryer 1/2 RH units</i>)
	823-5783	Frypot, Full-Vat Filter w/o Insulation Deep Cabinet (<i>for use on Standard Deep units</i>)
4	823-5551SP	Frypot, Dual-Vat Filter with Insulation (<i>for use on EPRI units</i>)
5	823-5482SP	Frypot, Dual-Vat Filter w/o Insulation (<i>for use on Standard units</i>)
6		Thermostat Assembly, High-Limit
	806-7543	Non-CE Full Vat 425°F (218°C) (17kW FV and 14kW FV)(Color-Coded Black)
	806-8035	Non-CE Dual Vat 435°F (224°C) (22kW, 17kW DV and 14 kW DV) (Color-Coded Red)
	806-8132	CE 415°F (213°C) (14kW and 17kW CE) (Color-Coded Yellow)
	806-8536	CE 405°F (207°C) (22 kW FV and DV CE) (Color-Coded White)
7	812-0211	Insulation, Kaowool 17-inch X 10-inch X 1/2-inch (4 required per pot)
8	900-4100	Retainer, Side Insulation
9	900-4101	Retainer, Front Insulation
10	900-1345	Retainer, Rear Insulation
11	826-1376	Nut, 10-32 Keps Hex (Pkg. of 10)

NOTES: The frypots for EPRI-equipped units are insulated; those for non-EPRI (standard) units are not. EPRI frypot assemblies 806-5545SP and 806-5551SP consist of Items 2 and 4 respectively, plus insulation (Items 7-10). When replacing insulation or adding insulation to a bare frypot, the individual pieces (sides, front, and back) are cut to fit from Item 7 when installed. Each frypot requires four uncut pieces of insulation.

2.8 Oil Return System Components

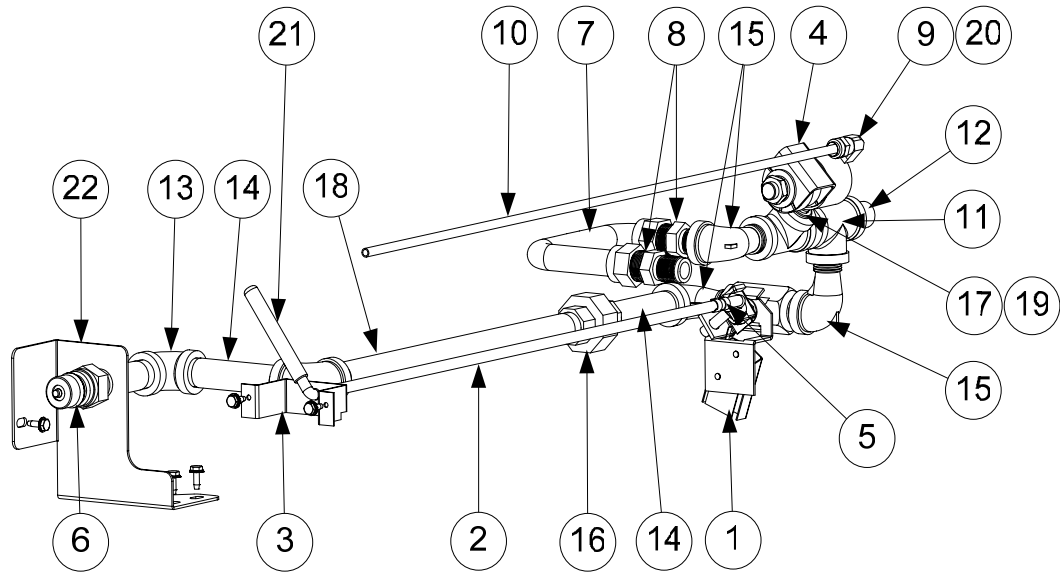


2.8 Oil Return System Components cont.

ITEM	PART #	COMPONENT
1	106-5596	Handle Assembly, Full-Vat and Right Dual-Vat Rear Flush Complete
	106-6410	Handle Assembly, Full-Vat Deep Cabinet Complete
2	106-5597	Handle Assembly, Left Dual-Vat Rear Flush Complete
3	807-2103	Microswitch, Straight Lever
4	106-5595	Bracket Assembly, Microswitch
5	200-5401	Bracket, Handle Retainer
6	816-0220	Insulation, Oil Return Microswitch
7	826-1366	Nut, 4-40 Keps Hex (Pkg. of 25)
8	810-2534	Rod, Full-Vat and Right Dual Vat Rear Flush
	810-3081	Rod, Full-Vat Right Hand Deep Cabinet
	810-2533	Rod, Left Dual Vat Rear Flush
9	816-0643	Grip, Oil Return Valve Handle
10	809-0601	Clip, Clevis
11	810-2532	Flexline, 7.0-inch Multi-Vat Units
	810-1057	Flexline, 13.0-inch Single Footprint Only Full Vat and Dual Vat Left Side
	810-1055	Flexline, 11.5-inch Single Footprint Only Dual Vat Right Side
12	810-1668	Adapter, 5/8-inch to 1/2-inch NPT Male
13a	813-0165	Elbow, 1/2-inch X 90° Street
*	813-0062	Elbow, 1/2-inch X 90° BM
*	813-0087	Nipple, 1/2-inch X 1.50-inch NPT
13b	813-0908	Adapter, 1/2-inch NPT M/T 90° (<i>used only on cabinet side</i>)
14	810-0278	Valve, 1/2-inch Ball
15	200-5438	Handle, Rear Flush Valve
16	900-2935	Retainer, Oil Return Valve Nut
17	813-0460	Nipple, 1/2-inch X 3.0-inch NPT
18	813-0907	Cap, 15/16-inch Valve Safety
		Manifolds
*	810-3142	Manifold, Fryer 1/2 Station Fryer
19	810-3015	Manifold, Two-Station Fryer (<i>use 810-2543 for non-filter units</i>)
20	810-3016	Manifold, Three-Station Fryer (<i>use 810-2544 for non-filter units</i>)
21	810-3017	Manifold, Four-Station Fryer (<i>use 810-2545 for non-filter units</i>)
22	810-3018	Manifold, Five-Station Fryer (<i>use 810-2546 for non-filter units</i>)

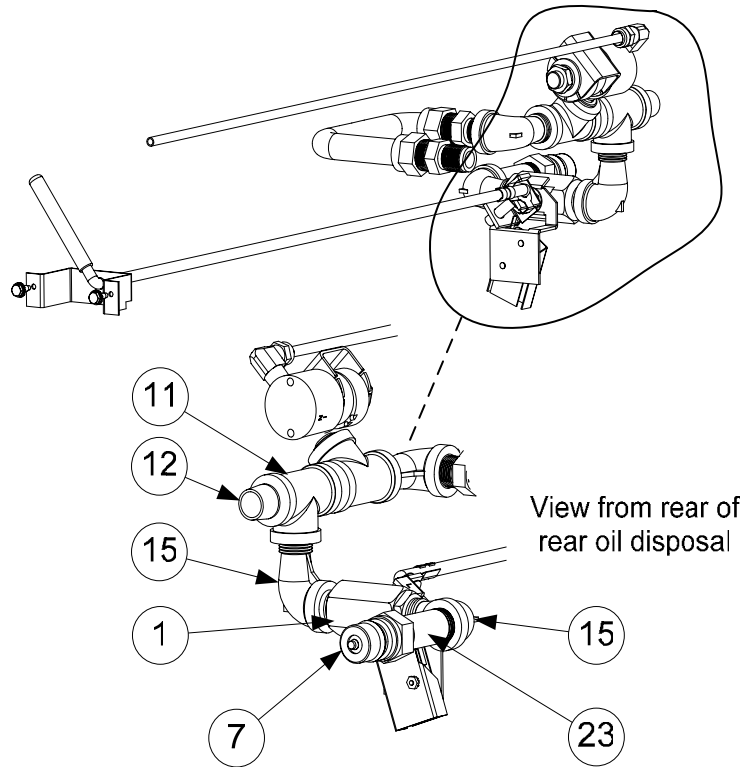
* Not illustrated.

2.9 Oil Disposal Plumbing



Front Oil Disposal Plumbing

Rear Oil Disposal Plumbing

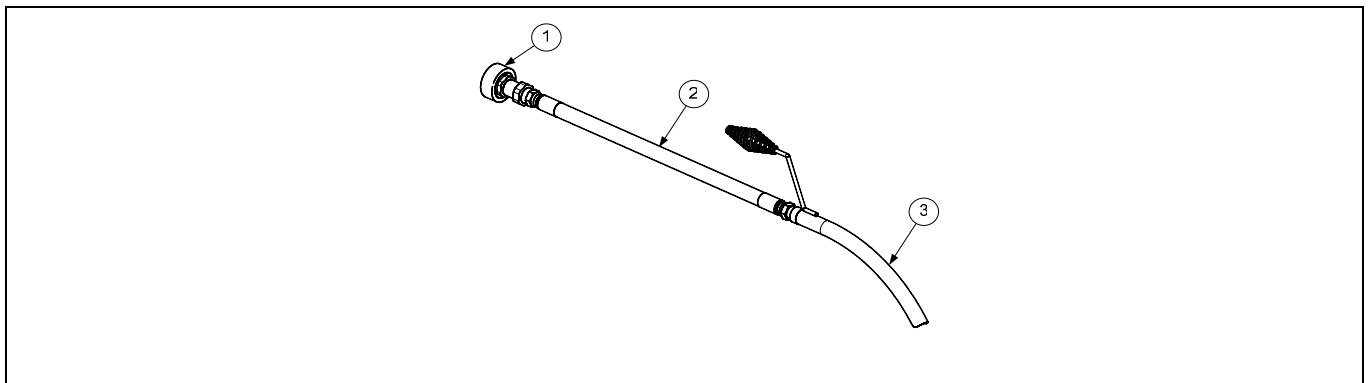


2.9 Oil Disposal Plumbing cont.

ITEM	PART #	COMPONENT
	106-5959	Plumbing, Front Oil Disposal
	106-5933	Plumbing, Rear Oil Disposal
1	106-6033	Valve Assembly, Oil Disposal
2	220-0922	Rod, Oil Disposal
3	220-0963	Bracket, Oil Disposal Rod
4	807-2484	Valve, Solenoid ¼-inch NPT
5	809-0601	Clip, Clevis Right Rod End
6	810-0487	Coupling, Male
7	810-1043	Flexline, ½-inch ID x 9.50"
*	810-1055	Flexline, ½-inch ID x 11.50"
8	810-1668	Adaptor, Male ⅝-inch OD x ½-inch
9	810-2493	Fitting, 90° Quick Connect Tube
10	812-1803	Tubing, ¼-inch OD x 24.50" Teflon
11	813-0003	Tee, ½-inch x ½-inch x ½-inch BM
12	813-0022	Nipple, ½-inch x Close NPT BM
13	813-0062	Elbow, ½-inch 90° BM
14	813-0093	Nipple, ½-inch x 4.0" NPT BM
15	813-0165	Elbow, Street ½-inch x ½-inch NPT 90° BM
16	813-0173	Union, ½-inch NPT BM
17	813-0304	Bushing, ½-inch x ¼-inch BM Flush
18	813-0429	Nipple, ½-inch x 13.0" NPT BM
19	813-0571	Nipple, ¼-inch x 1½-inch BM
20	813-0807	Bushing, ¼-inch x ⅛-inch
21	816-0637	Cap, Vinyl Blue 5/16-inch x 3.0"
22	823-5685	Bracket, Assembly Quick Disconnect
	823-5809	Bracket, Assembly Quick Disconnect SCF Deep Cabinet
23	813-0265	Nipple, ½-inch x 2.50" NPT BM
*	810-1669	Adapter, Female ⅞-inch O.D. x ½-inch
*	813-0253	Nipple, ½-inch x 10.00" NPT BM
*	813-0298	Nipple, ½-inch x 2.00" NPT BM
*	106-6407	Switch Assembly RE Wand

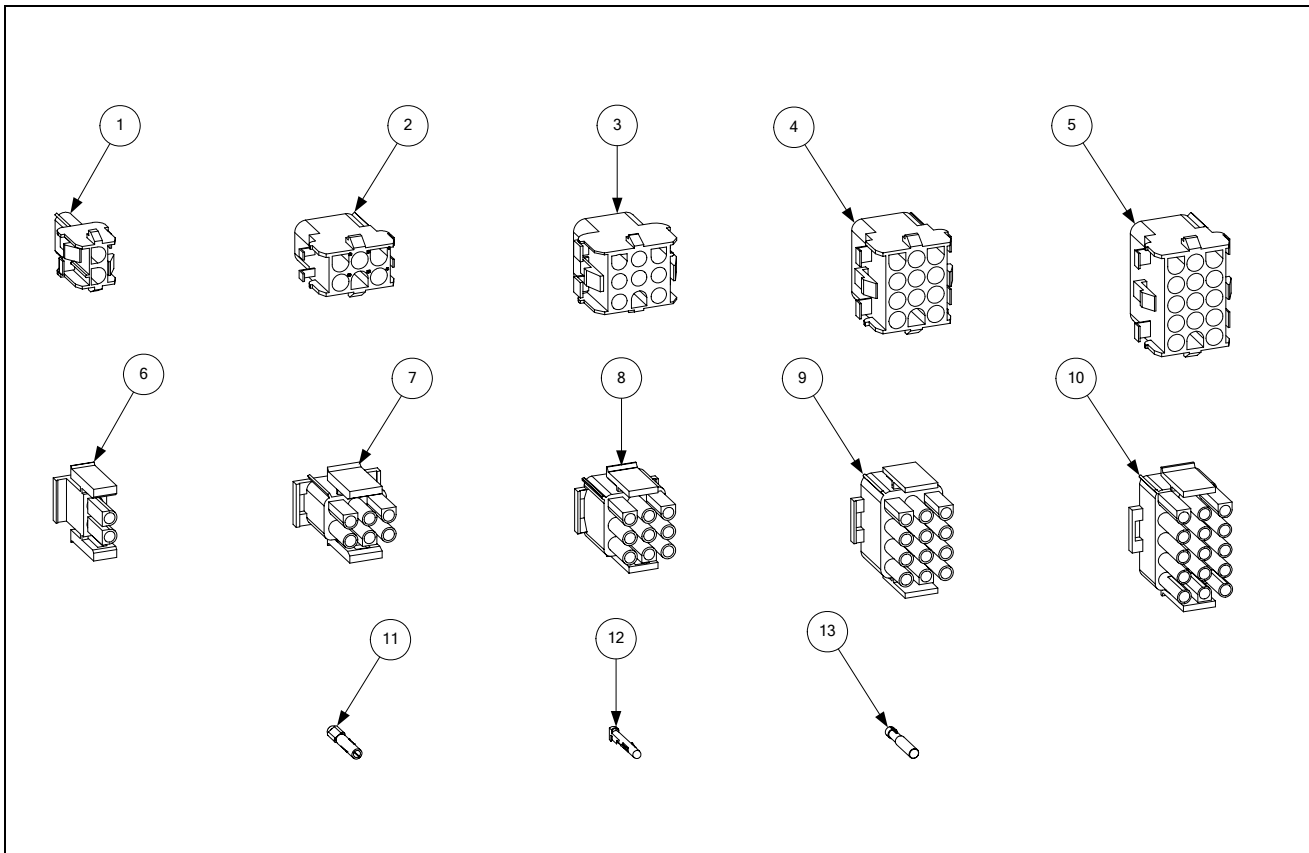
* Not illustrated.

2.10 Oil Disposal Wand



ITEM	PART #	COMPONENT
	106-4395	Oil Disposal Wand Assembly
1	810-0490	Quick Disconnect ½-inch Female
2	810-1471	Hose, 24-inch
3	810-0603	Wand

2.11 Wiring Connectors and Pin Connectors



ITEM	PART #	COMPONENT
1	807-1068	2-Pin Female
2	807-0158	6-Pin Female
3	807-0156	9-Pin Female
4	807-0159	12-Pin Female
5	807-0875	15-Pin Female
6	807-1067	2-Pin Male
7	807-0157	6-Pin Male
8	807-0155	9-Pin Male
9	807-0160	12-Pin Male
10	807-0804	15-Pin Male
11	826-1341	Terminal, Female Split Pin (pkg. of 25)
12	826-1342	Terminal, Male Split Pin (pkg. of 25)
13	807-2518	Plug, Mate-N-Lock (Dummy Pin)

2.12 Fasteners

ITEM	PART #	COMPONENT
*	809-0429	Bolt, ¼-inch – 20 x 2.00-inch Hex Head ZP Tap
*	809-0514	Capscrew, 5/16-inch-18 NC Hex
*	809-0448	Clip, Tinnerman
*	826-1366	Nut, 4-40 Keps Hex (Pkg. of 25) (809-0237)
*	826-1358	Nut, 6-32 Keps Hex (Pkg. of 25) (809-0049)
*	809-0247	Nut, 8-32 Keps Hex
*	826-1376	Nut, 10-32 Keps Hex (Pkg. of 10) (809-0256)
*	809-0766	Nut, 10-32 Keps Hex SS
*	809-0581	Nut, ½ NPT Locking
*	809-0020	Nut Cap 10-24 NP
*	826-1372	Nut Grip ¼-inch 1/4-20 Hex NP (Pkg. of 10) (809-0059)
*	809-0417	Nut Flange ¼-inch 1/4-20 Serr
*	809-0535	Nut, "T" ¼-inch-20 x 7/16 SS
*	809-0540	Nut, Lock ½-inch-13 Hex 2-Way ZP
*	826-1359	Screw, 4-40 x ¾-inch Slotted Round Head (Pkg. of 25) (809-0354)
*	826-1365	Screw, 6-32 x ⅜-inch Slot Head (Pkg. of 25) (809-0095)
*	809-0357	Screw, 6 x ⅜-inch Phillips Head NP
*	809-0359	Screw, 8 x ¼-inch Hex Washer Head
*	809-0360	Screw, 8 x ⅜-inch Hex Washer Slot Head
*	826-1371	Screw, 8 x ½-inch Hex Head ZP (Pkg. of 25) (809-0361)
*	809-0364	Screw, 8 x ⅝-inch Hex Washer Head ZP
*	809-0518	Screw, 8-32 x ⅜-inch Hex Washer Slotted Head SS
*	809-0104	Screw, 8-32 x ½-inch Slotted Head ZP
*	826-1363	Screw, 8-32 x ½-inch NP (Pkg. of 25) (809-0103)
*	826-1360	Screw, 10-24 x 5/16-inch Round Slot Head ZP (Pkg. of 25) (809-0024)
*	826-1330	Screw, 10-32 x ⅜-inch Slot Head SS (809-0117)
*	809-1003	Screw, 10-32 x ⅜-inch Hex Trim Head SS
*	826-1375	Screw, 10-32 x ¾-inch Hex Trim Head SS (Pkg. of 5) (809-0401)
*	809-1000	Screw, 10-32 x 1¼-inch Hex Sck C/S
*	826-1374	Screw, 10 x ½-inch Hex Head (Pkg. of 25) (809-0412)
*	809-0266	Screw, 10 x ½-inch Phillips Head ZP
*	809-0434	Screw, 10 x ⅜-inch Hex Washer Head NP
*	809-0123	Screw, 10 x ¾-inch Slot Head
*	826-1389	Screw, 1/4-20 x ¾-inch Hex Head ZP (Pkg. of 10) (809-0131)
*	809-0582	Washer ½ NPT Locking
*	809-0184	Washer, #10 LK ZP
*	809-0190	Washer, .625 X .275 X 40 Flat SS
*	809-0191	Washer, Lock 1/4 Spring ZP
*	809-0193	Washer, Flat 1/4 Nylon
*	809-0194	Washer, Flat 5/16 ZP