



# INSTALLATION AND OPERATION MANUAL

## G24 SERIES GAS COUNTER EQUIPMENT & G20 SERIES STOCK POT RANGES



**FOR YOUR SAFETY:**  
DO NOT STORE OR USE GASOLINE  
OR OTHER FLAMMABLE VAPORS OR  
LIQUIDS IN THE VICINITY OF  
THIS OR ANY OTHER  
APPLIANCE

**WARNING:**  
IMPROPER INSTALLATION, ADJUSTMENT,  
ALTERATION, SERVICE OR MAINTENANCE  
CAN CAUSE PROPERTY DAMAGE, INJURY,  
OR DEATH. READ THE INSTALLATION,  
OPERATING AND MAINTENANCE  
INSTRUCTIONS THOROUGHLY  
BEFORE INSTALLING OR  
SERVICING THIS EQUIPMENT

PLEASE READ ALL SECTIONS OF THIS MANUAL  
AND RETAIN FOR FUTURE REFERENCE.

THIS PRODUCT HAS BEEN CERTIFIED AS  
COMMERCIAL COOKING EQUIPMENT AND  
MUST BE INSTALLED BY PROFESSIONAL  
PERSONNEL AS SPECIFIED.

IN THE COMMONWEALTH OF MASSACHUSETTS  
THIS PRODUCT MUST BE INSTALLED BY A  
LICENSED PLUMBER OR GAS FITTER. APPROVAL  
NUMBER: G-1-07-05-28

For Your Safety:  
Post in a prominent location, instructions to be  
followed in the event the user smells gas. This  
information shall be obtained by consulting  
your local gas supplier.

Users are cautioned that maintenance and repairs must be performed by a Garland authorized service agent using genuine Garland replacement parts. Garland will have no obligation with respect to any product that has been improperly installed, adjusted, operated or not maintained in accordance with national and local codes or installation instructions provided with the product, or any product that has its serial number defaced, obliterated or removed, or which has been modified or repaired using unauthorized parts or by unauthorized service agents. For a list of authorized service agents, please refer to the Garland web site at <http://www.garland-group.com>. The information contained herein, (including design and parts specifications), may be superseded and is subject to change without notice.

GARLAND COMMERCIAL RANGES, LTD.  
1177 Kamato Road, Mississauga, Ontario L4W 1X4  
CANADA  
Phone: 905-624-0260  
Fax: 905-624-5669

Part # 4519655 (08/27/10)

## IMPORTANT INFORMATION

**WARNING:**

**This product contains chemicals known to the state of california to cause cancer and/or birth defects or other reproductive harm. Installation and servicing of this product could expose you to airborne particles of glass wool/ceramic fibers. Inhalation of airborne particles of glass wool/ceramic fibers is known to the state of california to cause cancer. Operation of this product could expose you to carbon monoxide if not adjusted properly. Inhalation of carbon monoxide is known to the state of california to cause birth defects or other reproductive harm.**

**Keep appliance area free and clear of combustibles.**

# TABLE OF CONTENTS

<b>IMPORTANT INFORMATION</b> .....	<b>2</b>
<b>SPECIFICATIONS, G24 SERIES GRIDDLES</b> .....	<b>4</b>
<b>INTRODUCTION</b> .....	<b>5</b>
Rating Plate.....	5
<b>INSTALLATION</b> .....	<b>5</b>
General Information .....	5
Clearances.....	6
Gas Connections.....	6
Inlet Manifold Size .....	6
Leg Installation .....	7
Installation of Banking Plates .....	7
Installing Equipment on Counter Stands .....	7
<b>OPERARATION</b> .....	<b>8</b>
Hot Plate – Model G24-15H.....	8
G24 Griddles.....	8
G20-SP and G20-SPH Stock Pot Range .....	8
Lighting Standing Pilots - All Models.....	9
<b>FLAME SIZE CHART – ALL MODELS</b> .....	<b>10</b>
<b>CLEANING AND MAINTENANCE</b> .....	<b>10</b>
Exterior.....	10
Top Sections.....	11
Griddle Top .....	11
Open Top .....	11
Stock Pot Ranges .....	11

# SPECIFICATIONS, G24 SERIES GRIDDLES

## G24 Series Gas Counter Units Engineering Data

Input Chart Natural & Propane Gas				Griddle Production Capacities					
Model	Description	Controls	BTU/HR	Meat Patties 3 Oz. (85 g) 350° F (177°C)		Fried Eggs 300°F(149°C) Pancakes 4" Dia. (102mm)		Minute Steaks 4oz(112g) 350° F (177° C)	
				Per Load	Hourly	Per Load	Hourly	Per Load	Hourly
G24-24G	24" (610mm) Griddle	2 Hi-lo Valves	66,500	33	165	27	540	27	135
G24-24GTHX		2 Thermostats	60,000						
G24-36G	36" (914mm) Griddle	3 Hi-lo Valves	100,000	50	250	40	800	40	200
G24-36GTHX		3 Thermostats	90,000						
G24-18G	48" (1219mm) Griddle	4 Hi-lo Valves	133,000	67	335	53	1060	53	265
G24-48GTHX		4 Thermostats	120,000						
G24-60G	60" (1524mm) Griddle	5 Hi-lo Valves	166,500	83	415	67	1340	67	335
G24-60GTHX		5 Thermostats	150,000						
G24-72G	72" (1829mm) Griddle	6 Hi-lo Valves	200,000	100	500	80	1600	80	400
G24-72GTHX		6 Thermostats	180,000						
G24-15H	Hot Plate	2 Valves	29,000	Not Applicable					
G20-SP/SPH	20" (508mm) Wide Stock Pot	1 Infinite Valve	60,000						

## Installation Notes

Gas Pressure Required				Combustible Wall Clearances: In (mm)		
Supply Operating Pressures		Manifold Operating Pressures		Sides	Back	Base
Natural	Propane	Natural	Propane	6(152)	6(152)	Non-combustible
7" WC (17.5 mbar)	11" WC (27.5mbar)	4" WC (10 mbar)	10" WC (24mbar)	<b>NOTE:</b> Installation clearance reductions are applicable only where local codes permit		
Note: For use with Natural & L.P Gas only						

Ratings shown are for natural gas installations up to 2000 feet (610m) above sea level. BTU input ratings must be de-rated for high altitude installations. Specify altitude of product if over 2000 feet (610m)

## Optional CS 24 Series Stands

**Floor Stands:** Heavy-duty stands of open design with seamless welded square tube legs. Black finish Storage shelf supplied with stands up to 36" (914mm) wide. Working height of all units on stands 35-1/2" (902mm) Stand widths available in 15" (381 mm), 24" (610mm), 30" (762mm), 36" (914mm), 48" (1219 mm), 60" (1524mm) and 72" (1829mm). Example for G24-36G griddle. Specify CS24-36 stand.

- NOTE:
- Many local codes exist, and it is the responsibility of the Owner and the Installer to comply with those codes.
  - Garland reserves the right to change or improve our specifications without notification.
  - These appliances are intended for commercial use by professionally trained personnel.

# INTRODUCTION

## Rating Plate

When corresponding with the factory or your local authorized factory service center regarding service problems or replacement parts, be sure to refer to the particular unit by the correct model number (including the prefix and suffix letters and numbers) and the warranty serial number. The rating plate affixed to the unit contains this information.

The rating plate is visible by removing the lower front panel on the G22 Series, the drip tray on the G24 Series or the valve panel on the G20 Series.

We suggest installation, maintenance and repairs should be performed by your local authorized service agency listed in your information manual pamphlet.

In the event you have any questions concerning the installation, use, care or service of the product, write or call our Product Service Department.

This product must be installed by professional personnel as specified. Garland/U.S. Range products are not approved or authorized for home or residential use, but are intended for commercial applications only. Garland / U.S. Range will not provide service, warranty, maintenance or support of any kind other than in commercial applications.

# INSTALLATION

## General Information

1. Damage check: check carton or crate for possible damage incurred in shipping. After carefully uncrating, check for "concealed" damage. Report any damage immediately to your carrier.
2. Carefully remove unit from carton or crate. Burner tie wires and other packing material should be removed from units. On stainless steel and brushed units, the protective material covering the stainless steel should be removed immediately after the unit is installed.
3. Remove valve panels, top grates or fry tank and place in a safe area to prevent damage.
4. Should it be necessary to remove the steel griddle plate on units equipped with griddle thermostat, the griddle thermostat bulb and capillary must first be withdrawn from the bulb shield assembly, located on the underside of the griddle plate. This can be accomplished with the griddle front raised and supported by the griddle prop located on the underside of the griddle plate. Loosen the four pal nuts securing the bulb shield assembly to the griddle plate and withdraw the griddle thermostat bulb.
5. When a griddle plate is being installed on units equipped with griddle thermostats, the thermostat bulb must be inserted in the groove between the plate and the bulb shield assembly. This can be accomplished with the griddle front raised and supported by the griddle prop, located on the underside of the griddle plate. It is important for accurate temperature control that the bulb be located inside the groove. Tighten the four pal nuts securing the bulb shield assembly to the griddle plate.

# INSTALLATION continued

## Clearances

Minimum Installation Clearances To Adjacent Combustible Walls And Type Of Floor Or Base			
Description	Model Or Series	Sides & Back	Type Of Floor Or Base
Hot Plate	G24-15H	6" (152mm)	Non Combustible or Combustible with 2" (51 mm) Legs
Griddle	G24 Series (HI-LO)	6" (152mm)	
Griddle	G24 Series (Thermostat)	6" (152mm)	
Stock Pot Range	G20-SP	6" (152mm)	Combustible
Stock Pot Range	G20-SPH	6" (152mm)	

## Gas Connections

The importance of proper installation of commercial gas cooking equipment cannot be overstressed. Proper performance of the equipment is dependent, in great part, on the compliance of the installation with the manufacturer's specifications. In addition compliance with the National Fuel Gas code ANSI Z 223.1-1988/NFPA and/or Local Code is required to assure safe and efficient operation.

In Canada, the installation and connection must comply with CAN/CGA – B149 Installation codes and local codes where applicable.

All burner adjustments and setting shall be made by a qualified gas technician.

1. The correct type of gas for which the unit was manufacture is noted on the rating plate, and this type of gas must be used.
2. The required manifold gas pressure for normal operation is 7" water column for use on Natural gas and 11" water column for use on Propane gas, unless specified differently on the rating plate.

3. Have a qualified gas technician check the gas pressure to make certain that existing gas facilities (meter, piping, etc.) will deliver the BTU's of gas required at the unit with no more than 1/2" water column pressure drop. When checking pressure, be certain that all the equipment on same gas line is turned to the "ON" position.
4. Make certain that new piping, joints and connections have been made in a clean manner and have been purged, so that the piping compound, chips, etc., will not clog pilots valves, and / or controls. Use pipe joint sealant that is CGA approved for use with liquefied petroleum gas.
5. **WARNING:** Check gas connections for leaks, using soap solution or similar means. **DO NOT CHECK WITH AN OPEN FLAME.**

The appliance and its individual shutoff valve must be disconnected from the gas supply piping system during any pressure testing of that system at pressures in excess of 1/2 PSIG (3.45 KP2).

The appliance must be isolated from the gas supply piping system by closing its individual manual shutoff valve during any pressure testing of the gas supply piping system at test pressures equal to or less then 1/2 PSIG (3.45 KP2)

## Inlet Manifold Size

The inlet manifold size for connection to main gas supply is as follows:

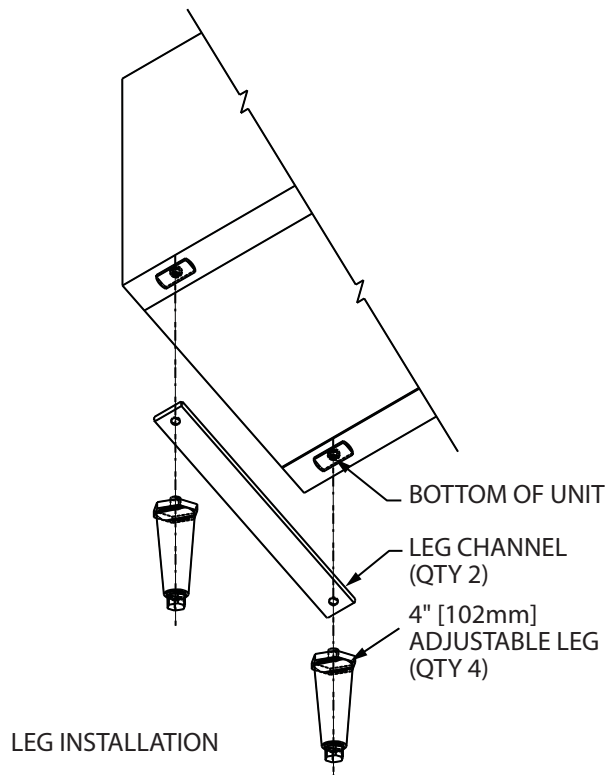
MODEL NUMBER	MANIFOLD INLET SIZE
G24-15H	3/4" N.P.T.
G24-24G, G-24GTHX, G24-36G & G24-36GTHX	3/4" N.P.T.
G24-48G, G24-48GTHX, G24-60G, G24-60GTHX, G24-72G & G24-72GTHX	1" N.P.T.
G20-SP & G20-5PH	3/4" N.P.T.

# INSTALLATION continued

## Leg Installation

### G24 Series

The leg channel is located on the package base. This channel must be installed when using the legs.



## Installation of Banking Plates

### G24 Series

All units may be installed independently or banked with other G24 or E24 Series equipment. To ensure a matching and permanent fit between units, a front banking plate is supplied with each unit. If 2" (51 mm) legs are supplied with nit, discard leveling bolts and replace with 2" (51 mm) legs.

1. Level each unit by adjusting leveling bolts or legs. Use a spirit level and level unit four ways; across front and back and down left and right edges. Level all other units to the first unit, securing each unit to the adjacent unit.

NOTE: Griddles may not rest evenly on the unit body, if units are not leveled.

2. Remove upper front panel (if not already removed) by removing the thumb screws on each side of the panel.
3. Place the banking plate in position, over the two bolts located in the main sides below the panel mounting brackets.

NOTE: Install recessed (stepped) centre portion of banking plate tight to the main sides of the units being banked. Secure in place with two hex nuts supplied.

4. Replace and secure upper front panels.
5. Connect gas supply line using either rear or bottom inlet, as desired. A readily accessible approved type of hand valve should be installed on each supply line. Test For Leaks.

## Installing Equipment on Counter Stands

### CS24 Series Stands

1. Assemble and level counter stand as illustrated in the instructions found in the counter stand carton.
2. Remove and discard leveling bolts on unit to be installed on the counter stand.
3. Remove only the side, front and rear sheet metal screws in the main bottom of units to be placed on the outer sides of the stand.
4. Place units in desired position on the counter stand, securing the first unit with sheet metal screws removed in paragraph 3, by inserting the sheet metal screws through the 9/32 inch (7 mm) diameter holes in stand, into the holes from which the sheet metal screws were removed.
5. Connect banking plates as described in G24 Series Installation Of Banking Plates.
6. Secure last unit to the counter stand with sheet metal screws removed in paragraph 3. Insert sheet metal screws through the 9/32 inch (7 mm) diameter holes in stand, into the holes from which the sheet metal screws were removed.

# OPERATION

## Hot Plate – Model G24-15H

### Pilot Burner Adjustment

1. Remove ring grates and top grate, if not already removed.
2. Adjust the pilot valve, located on the manifold between the two burner valves, to a yellow flame 1/2 inch (13 mm) long (This adjustment can be made through the opening in the upper front panel, around the rear burner valve.)
3. Replace ring grates and top grate.

### To Operate Main Burner

1. Hi-speed non-clog burners light automatically from the pilot.
2. Turn left valve full "ON" to light front burner. Turn right valve full "ON" to light rear burner.

## G24 Griddles

### Lighting & Pilot Burner Adjustment

Each griddle burner is equipped with a pilot.

For the HI-LO valve operated model, the pilot adjusting valve burner pilot is located on the manifold to the right of each griddle valve. Open the pilot valve with a screwdriver and light the pilot with a match.

For the griddle equipped with thermostats (GTHX) the pilot is located to the left of the ON-OFF valve. Open the pilot valve with a screwdriver and light the pilot with a match.

Pilots flames must be 3/4 inch (19mm) long .

### Hi-Lo Valve Adjustment

Griddles equipped with Hi-Lo valves require a low flame setting. To adjust, proceed as follows:

1. Burner must be cold.
2. Be sure pilot flames are lit and adjusted.
3. Turn dial to "LO" position, then remove dial.
4. With a screwdriver, turn the small adjusting screw inside the valve stem and adjust to obtain the low cooking temperature desired, maintaining a stable flame covering the entire burner (minimum 3/16 inch (5 mm) long flame).

5. Replace dial and turn to "OFF" position.

### Calibration Instructions

1. Use a test instrument with a special disc type thermocouple or a reliable surface type pyrometer. Note: a drop of oil on the face of the disc will provide better contact with the plate.
2. Set all griddle thermostats to 350°F. In order to allow the griddle temperature to stabilize, the thermostats must be allowed to cycle twice before taking a test reading.
3. Check the griddle temperature when the thermostat just cycles "OFF" by placing the thermocouple firmly on the griddle surface directly above the sensing bulb of the thermostat. The reading should be between 335°F and 365°F. If the reading is outside of these limits, calibrate as follows:
4. Carefully remove the dial, not disturbing the shaft position.
5. Hold the shaft steady and with a small flat screw driver turn the calibration screw located inside the shaft clockwise to decrease temperature or anti-clockwise to increase temperature. Note: Each 1/4 turn of the screw will create a change of approximately 25°F.
6. Replace the thermostat dial and repeat steps 1 through 3 to verify that a correct adjustment has been made.

## G20-SP and G20-SPH Stock Pot Range

### Pilot Burner Adjustment

#### G20-SP Stock Pot Range

1. The pilot adjusting valve is located on the manifold.
2. With valve panel in place, the pilot can be adjusted with a long thin screwdriver to obtain a 7/16 inch (11 mm) long flame. (This adjustment can be made through the small hole located on the valve panel.)



# OPERATION continued

## G20-SPH Stock Pot Range

This stock pot range is equipped with an automatic safety pilot system. Should the pilot go out, the main burner gas supply is automatically shut off. To light and adjust the pilot:

1. Remove the valve panel if not already removed.
2. Depress the red button of the automatic pilot valve and light pilot.
3. Hold red button depressed for one minute after pilot has been ignited.
4. Adjust pilot flame to a 7/16 inch (11 mm) long flame.
5. If pilot does not continue to burn after releasing button, repeat above procedure or ...
6. Have a qualified serviceman check the system. Do not allow anyone else to attempt repairs.
7. Once the pilot is lit it is not necessary to repeat lighting procedure, unless the pilot is extinguished for any reason.

## Hi-Med-Lo Valves

The G20-SP and G20-SPH stock pot ranges are equipped with Hi-Med-Lo valves. No adjustment is necessary.

A pressure tap is supplied with the unit and it is installed on the manifold, downstream of the main valve. The gas pressure must be checked when the unit is installed, to ensure that the unit gas pressure is the same as specified on the rating plate. If necessary, pressure adjustments, must be made at the pressure regulator.

## Lighting Standing Pilots - All Models

These units are not designed to be disconnected from their gas connections and re-installed on a regular basis. Quick connect gas lines should not be used. Once the gas appliance has been installed by a licensed gas trades-person all connections, pilot lights and controls have been inspected for proper operation. All gas appliances that use standing pilot systems are generally assumed to be operating with the pilot on continuously. The units should not be restarted except in the event of a gas service interruption to the facility.

If a pilot flame does go out, here are the basic steps to check before you re-light the pilot:

1. Check to see that all gas lines are in place and secured and that there is no accumulation of gas inside the unit.
2. Check to make sure that the main shut off valve is in the off position.
3. Turn the thermostat to the off position. (If applicable)
4. Turn on or open the main shut off valve to the appliance.
5. Depending on the appliance type:
  - Lower the front black enamel panel to the unit and immediately depress the red button, which is the piezo to ignite the pilot.
  - Or.
  - Remove the front valve panel and light the pilot with a lighted taper, through pilot viewing hole.
6. The pilot should ignite within a few attempts. You will be able to see the pilot flame through the observation hole in the stainless steel front panel.
7. If you do not have a pilot flame established fairly quickly and begin to smell gas, shut off the main valve and wait five minutes to let the gas build-up escape.
8. Only once the pilot flame has been established should you turn on the burner control. When the burner control is on it allows gas flow to the burner. If there is no pilot flame it will allow gas to build up and cause possible delayed ignition, which could result in an explosion.

# FLAME SIZE CHART – ALL MODELS

The correct air and/or gas adjustment has been made when a stable blue inner cone is obtained.

(Refer to chart for flame size.)

MODEL OR SERIES	DESCRIPTION	PILOT FLAME LENGTH	BURNER FLAME LENGTH - NORMAL PRESSURE - VALVE OR THERMOSTAT FULL OPEN
G24 Series	Griddle	3/4" (19 mm)	5/8" (16 mm)
G20-SP & G20-SPH	Stock Pot Range	7/16" (11 mm)	3/8" (10 mm)

## CLEANING AND MAINTENANCE

**NOTE:** Any maintenance or service involving disassembly of components should be made by a qualified service technician. Also, ensure gas supply to the appliance is shut off.

You have purchased the finest commercial cooking equipment available anywhere. Like any other fine precision built piece of equipment, it should be given regular care and maintenance.

Periodical inspections by your dealer or qualified service agency are recommended to check temperatures, adjustments and ensure moving parts are operative. Whenever possible, avoid overheating idle equipment as this is the primary cause for increased service costs.

When corresponding with the factory or your equipment dealer regarding service problems or replacement parts, be sure to refer to the particular unit by the correct model number (including prefix and suffix letters and numbers) and the serial or code number. The rating plate affixed to the unit contains this information.

**"Regular Maintenance Ensures Peak Performance."**

### Exterior

**Black baked enamel** – Allow the equipment to cool after use and was all grease deposits from the exterior with a hot mild detergent or soap solution. Dry thoroughly. **DO NOT USE ABRASIVES.**

**Brushed chrome or brushed nickel** – Wash when cool with a hot mild detergent or soap solution. **DO NOT USE ABRASIVES.**

**Stainless steel** – Normal soil may be removed with a detergent or soap solution applied with a cloth.

To remove grease that has baked on, apply cleanser to a damp cloth or sponge. Rub the cleanser on the metal in the direction of the polished lines of the metal. **NEVER RUB IN A CIRUCLAR MOTION.** Soil and burnt deposits that do not respond can usually be removed by rubbing the surface with Scotch-Brite scouring pads or stainless scouring pads. **DO NOT USE ORDINARY STEEL WOOL.**

Heat tint can be removed by a vigorous scouring in the direction of the polish lines using Scotch-Brite scouring pads or stainless scouring pad in combination with powdered cleanser.

# CLEANING AND MAINTENANCE continued

## Top Sections

### Griddle Top

**Seasoning** – Before being used for the first time, all griddle surfaces must be seasoned. Wash the griddle with a hot detergent or soap solution, rinse and dry thoroughly. Set the Griddle heat to the lowest possible temperature for 30 minutes. Apply a thin film of cooking oil. Allow the oil to remain on the griddle for 5 minutes and then wipe off. Rest the heat to medium temperature and apply a second film of oil. Wipe off excess after 5 minutes. Rest the heat to the cooking temperature and apply a final film of oil, wiping off excess after 3 minutes. The griddle is now seasoned and ready for use. The griddle may be re-seasoned at any time by cleaning thoroughly and following the seasoning procedure.

**Cleaning.** – Griddle plates should be wiped daily while still warm. Remove carbonized grease or food with a spatula. When necessary, clean the griddle surface thoroughly using a fine griddle brick or a liquid griddle cleaner (available from your kitchen equipment dealer.). Polish the griddle surface to a bright finish. Wash the griddle surface, rinse and dry thoroughly. Re-season the griddle.

### Operating Suggestions

1. Avoid overheating the griddle as this causes sticking and grease carbonization resulting in a hard to clean surface.
2. Do not hit spatula on griddle plate as this will nick the surface
3. Clean the grease tray often to eliminate spillovers.

## Open Top

**Porcelain Tops & Grates** – Top grates should be washed daily with a hot detergent or soap solution and dried thoroughly.

**Drop Pans** – Should be emptied and washed daily

### Operating Suggestions

1. Avoid the use of oversized pots.
2. Avoid spillovers
3. Covered pots will boil faster

## Stock Pot Ranges

**Cast Iron Top** – When cast iron tops (which are covered in grease) arrive at the end users, the following seasoning and care is recommended.

1. Wash the top grates with hot mild detergent or soap solution. Dry thoroughly, rub with vegetable oil on all exposed surfaces in the direction of the grain.
2. Soiled and burnt deposits can be removed with a wire brush. Difficult to remove burnt deposit can usually be removed using an oven cleaner. Wash, dry thoroughly, then rub with vegetable oil.
3. Continuing this procedure will prohibit the development of rust and will eventually form a non-stick surface, with the caramelization of oil on the cast iron top grates.

**Cleaning** – Use a hot mild detergent or soap solution to clean the exterior daily. Dry thoroughly.

 **Garland**<sup>®</sup>

**Garland** ™

**Lèchefrites** – Devraient être vidées et lavées quotidiennement.

## Suggestions Au Mode D'emploi

1. Evitez l'usage de chaudrons demesurés.
2. Evitez les débordements.
3. Des chaudrons couverts bouilliront plus rapidement.

## Pot-Au-Feu

**Surface De Cuisson En Fonte** – Les appareils sont livrés aux consommateurs avec la surface de cuisson en fonte recouverte de graisse et elle doit être nettoyée comme suite :

1. Laver la surface de cuisson avec un détergent doux et chaud ou une solution savonneuse. Assécher complètement. Avec de l'huile végétale, frotter toutes les surface exposées, toujours dans le sens du grain.
2. Les dépôts de saleté brûlée peuvent être enlevés avec une brosse métallique. Les dépôts brûlés difficiles à l'aide d'un nettoyeur pour fours. Laver, assécher complètement et ensuite frotter avec de l'huile végétale.
3. Le prolongement de cette procédure empêchera le développement de la rouille et éventuellement donnera une surface antiadhésive, avec la caramélisation de l'huile

**Nettoyage** – Pour un nettoyage quotidien sur la surface extérieure, utiliser un détergent doux et chaud ou solution savonneuse. Assécher complètement.

température moyenne et appliquez une deuxième couche d'huile. Laissez reposer 5 minutes et essuyez le surplus d'huile. Réglez à nouveau la chaleur à la température de cuisson et appliquez une dernière couche d'huile. Laissez reposer 3 minutes et enlevez le surplus d'huile. La plaque est maintenant conditionnée et prête à être utilisée. Elle peut être conditionnée à nouveau en aucun temps en la nettoyant à fond et en suivant les instructions précédentes.

**Nettoyage** – Les plaques à frire doivent être essuyées quotidiennement pendant qu'elles sont encore chaudes. Enlevez les aliments et la graisse carbonisés avec une spatule. Lorsque nécessaire bien nettoyer la surface en utilisant une pierre ou un nettoyeur liquide spécial (disponible chez votre vendeur d'équipement de cuisine). Polir la surface à un fini brillant. Lavez la surface de la plaque, rincez et asséchez bien. Conditionnez à nouveau.

## Suggestions Au Mode D'Emploi

1. Afin d'éviter la carbonisation des graisses, ne pas surchauffer la plaque à frire.
2. Evitez de frapper la spatule sur la plaque, ce qui effriterait la surface.
3. Nettoyez le tiroir à graisse afin d'éliminer les débordements

## Feux Ouverts

**Surface De Cuisson En Porcelaine** - La surface de cuisson devrait être nettoyée quotidiennement avec un détergent chaud ou une solution savonneuse et asséchée complètement.

**Email Cuit Noir** – Laissez refroidir l'appareil et nettoyez les parois avec une solution savonneuse ou un détergent doux. Essayez bien. NE PAS EMPLOYER D'ABRASIFS.

### Extérieur

“Un entretien régulier assure des performances optimales.”

renseignements. Pour correspondre avec l'usine ou votre concessionnaire en équipement concernant des problèmes de service ou des pièces de rechange, bien faire référence à l'appareil avec le numéro de modèle correct (comprenant les lettres et chiffres du préfixe et du suffixe) et le numéro de série ou de code. La plaque signalétique fixée à l'appareil contient ces renseignements.

Des inspections périodiques par le concessionnaire ou une agence d'entretien qualifiée sont recommandées pour vérifier les températures, les réglages et s'assurer que les pièces mobiles fonctionnent correctement. Si possible, éviter de surchauffer l'équipement inutilement. Si représente la principale cause de coûts d'entretien.

Vous avez acheté le meilleur équipement commercial de cuisson au monde. Comme tout autre équipement fabriqué avec précision, il devra être nettoyé et entretenu de façon régulière. Pour correspondre avec l'usine ou votre concessionnaire en équipement concernant des problèmes de service ou des pièces de rechange, bien faire référence à l'appareil avec le numéro de modèle correct (comprenant les lettres et chiffres du préfixe et du suffixe) et le numéro de série ou de code. La plaque signalétique fixée à l'appareil contient ces renseignements.

## ENTRETIEN ET NETTOYAGE

MODÈLE OU SÉRIE	DESCRIPTION	LONGUEUR DE FLAMME DE VEILLEUSEH	LONGUEUR DE FLAMME DE BRÛLEUR – PRESSION NORMALE – ROBINET OU THERMOSTAT OUVERT AU MAX.
G20-SF & G20-SPH	Cuisinière à marmitte	7/16 po (11 mm)	3/8 po (10 mm)
G24 Série	Gril	3/4 po (19 mm)	5/8 po (16 mm)

(Se reporter au tableau pour la taille de flamme.)

Le réglage d'air et/ou de gaz est correct quand on obtient un cône intérieur bien stable..

## TABLEAU DES TAILLES DE FLAMME – TOUS LES MODÈLES

**Fini Chrome Ou Nickel** – Même procédure que ci-haut mentionnée. NE PAS EMPLOYER D'ABRASIFS.

**Acier inoxydable** – Les salissures normales peuvent être éliminées avec une solution de détergent ou de savon appliquée avec un chiffon.

Pour éliminer la graisse cuite, appliquer du produit de nettoyage sur un chiffon humide ou une éponge et faire couler le produit sur le métal. NE JAMAIS FROTTER AVEC UN MOUVEMENT CIRCULAIRE. La saleté et les dépôts brûlés qui ne se détachent pas ainsi peuvent habituellement être éliminés en frottant la surface avec des tampons à récureur Scotch-Brite ou des tampons à récureur pour acier inoxydable. NE PAS UTILISER DE LAINE D'ACIER ORDINAIRE.

Toutte décoloration causée par la chaleur peut être enlevée en frottant vigoureusement dans la direction de la texture du métal avec un tampon Scotch-Brite ou un tampon d'ACIER. Si le procédé mentionné n'est pas suffisant, vous aurez recours à un nettoyeur spécial.

### Surfaces De Cuisson

#### Plaques À Frire

**Conditionnement** – Toutes les surfaces des plaques à frire doivent être conditionnées avant d'être utilisées. Lavez les plaques à frire en utilisant une solution chaude savonneuse out un détergent, rincez et asséchez bien. Réglez la chaleur de las plaque à frire 30 minutes à la plus basse température. Appliquez une mince couche d'huile de cuisson. Laissez l'huile 5 minutes et essayez. Réglez à nouveau à la

**Allumage Des Veilleuses Permanentes**

Ces appareils ne sont pas conçus pour être débranchés de la conduite de gaz et être rebranchés de façon régulière. On ne devra pas utiliser de conduites à raccord rapide. Une fois que l'appareil à gaz a été installé par un professionnel licencié, le fonctionnement correct des branchements, veilleuses et commandes doit être vérifié. On suppose généralement que tous les appareils à gaz qui utilisent des systèmes de veilleuses permanentes fonctionnant de façon continue avec les veilleuses allumées. Les appareils ne devraient pas être rallumés, sauf en cas de coupure de gaz dans les installations. Si la veilleuse s'éteint, vérifiez ce qui suit avant de rallumer la veilleuse :

1. Vérifiez que toutes les conduites de gaz sont en place et bien fixées et qu'il n'y a pas d'accumulation de gaz à l'intérieur de l'appareil.
2. Vérifiez que le robinet d'arrêt principal est en position fermée.
3. Tournez le thermostat en position d'arrêt. (Le cas échéant).
4. Ouvrez le robinet d'arrêt de l'appareil.
5. Selon le type d'appareil :
  - Abaissez le panneau avant émaillé noir de l'appareil et appuyez immédiatement sur le bouton rouge, correspondant à l'allumeur piézoélectrique de la veilleuse.
  - Retirez le panneau avant des robinets et allumez la veilleuse avec une mèche allumée, à travers le trou d'observation de la veilleuse.
6. La veilleuse devrait s'allumer au bout de quelques essais. Vous pourrez voir la flamme de la veilleuse par le trou d'observation dans le panneau avant en acier inoxydable.
7. Si la flamme de la veilleuse ne s'allume pas rapidement et que vous sentez une odeur de gaz, fermez le robinet principal et attendez cinq minutes pour que le gaz accumulé se dissipe.
8. Une fois la flamme de la veilleuse allumée, ouvrez le robinet du grill ou le thermostat. Quand le robinet du grill ou le thermostat est ouvert, le gaz peut atteindre le brûleur. Si la veilleuse n'est pas allumée, le gaz s'accumule et un allumage retardé pourrait causer une explosion.

**Cuisinière À Marmite G20-SPH et G20-SPH**

**Réglage des veilleuses**

**Cuisinière à marmite G20-SP**

1. Le robinet de réglage de veilleuse est situé sur le collecteur.

2. Le panneau des robinets en place, il est possible de régler la veilleuse avec un long tournevis fin pour obtenir une flamme d'une longueur de 7/16 po (11 mm). (On peut effectuer ce réglage par le petit trou situé sur le panneau des robinets.)

**Cuisinière à marmite G20-SPH**

Cette cuisinière à marmite est dotée d'un système automatique de sécurité. Si la veilleuse s'éteint, l'alimentation en gaz du brûleur principal est coupée automatiquement. Pour allumer et régler la veilleuse :

1. Retirer le panneau des robinets si cela n'est pas déjà fait.
2. Appuyer sur le bouton rouge du robinet automatique de veilleuse et allumer la veilleuse.
3. Maintenir enfoncé le bouton rouge pendant une minute une fois la veilleuse allumée.
4. Régler la flamme de veilleuse à une longueur de 7/16 po (11 mm).
5. Si la veilleuse s'éteint quand on relâche le bouton, recommencer la procédure ou.
6. Demander à un technicien qualifié de vérifier le système. Ne laisser personne d'autre essayer d'effectuer des réparations.
7. Une fois la veilleuse allumée, il n'est pas nécessaire de recommencer la procédure d'allumage, sauf si la veilleuse est éteinte pour une raison quelconque.

**Robinet Hi-Med-Lo**

Les cuisinières à marmite G20-SP et G20-SPH sont dotées de robinets à trois réglages Hi-Med-Lo. Aucun réglage n'est nécessaire.

Une prise de pression est livrée avec l'appareil et est montée sur le collecteur, en aval du robinet principal. Il est nécessaire de vérifier la pression du gaz quand l'appareil est installé, pour s'assurer que la pression d'alimentation de l'appareil est identique à celle indiquée sur la plaque signalétique. Si nécessaire, les réglages de pression doivent être effectués au régulateur de pression.



1. Le brûleur doit être froid.

suit :

Les grills dotés de robinets Hi-Lo ont besoin d'un réglage de flamme basse. Pour effectuer ce réglage, procéder comme

## Réglage Des Robinets Hi-Lo

3/4 po (19 mm).

Les flammes des veilleuses doivent avoir une longueur de

allumette.

Pour le modèle doté de thermostats (GTHX), la veilleuse est située à gauche du robinet ON-OFF. Ouvrir le robinet de la veilleuse avec un tournevis et allumer la veilleuse avec une

allumette.

Pour le modèle avec robinets HI-LO, le robinet de réglage de veilleuse est situé sur le collecteur à droite de chaque robinet de grill. Ouvrir le robinet de veilleuse avec un tournevis et

Chaque brûleur du grill est doté d'une veilleuse.

## Allumage et réglage des veilleuses

### Grills G24

2. Tourner complètement sur « ON » le robinet de gauche pour allumer le brûleur avant. Tourner complètement sur « ON » le robinet de droite pour allumer le brûleur arrière.

1. Les brûleurs haute vitesse anticolmatage s'allument automatiquement à partir de la veilleuse.

## Pour utiliser le brûleur principal

supérieure.

3. Remettre en place les grilles annulaires et la grille

2. Régler le robinet de veilleuse, situé sur le collecteur entre les deux robinets de brûleurs, pour obtenir une flamme jaune d'une longueur de 1/2 pouce (13 mm). (Ce réglage peut être effectué à travers l'ouverture du panneau supérieur avant, autour du robinet de brûleur arrière.)

1. Retirer les grilles annulaires et la grille supérieure, si cela n'a pas encore été fait.

## Réglage des veilleuses

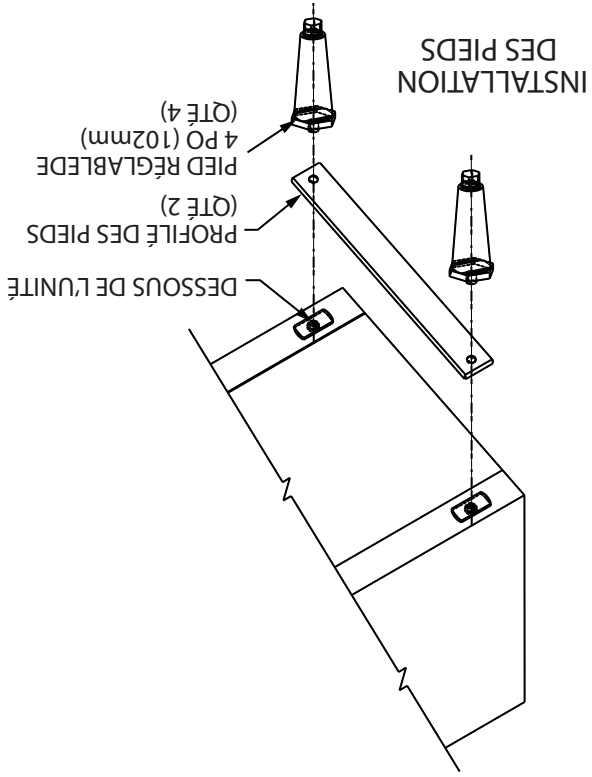
### Plaque Chauffante – Modèle G24-15H

2. S'assurer que les veilleuses sont allumées et réglées.
  3. Tourner le cadran en position « LO » et retirer le cadran.
  4. Avec un tournevis, tourner la petite vis de réglage à l'intérieur de la tige du robinet et régler pour obtenir la température basse de cuisson souhaitée, maintenant une flamme stable couvrant tout le brûleur (flamme d'une longueur minimale de 3/16 po (5 mm)).
  5. Remettre en place le cadran et le tourner en position « OFF ».
- ## Instructions d'étalonnage
1. Utiliser un instrument d'essai avec un thermocouple spécial de type à disque ou un pyromètre fiable de type « surface ». Nota : une goutte d'huile sur la face du disque assurera un meilleur contact avec la plaque.
  2. Régler tous les thermostats du grill à 350°F. Pour permettre à la température du grill de se stabiliser, on doit laisser les thermostats effectuer deux cycles allumage-extinction avec de prendre les mesures du test.
  3. Vérifier la température du grill quand le thermostat vient juste de s'éteindre en appuyant fermement le thermocouple sur la surface du grill, directement au-dessus du bulbe thermostatique. Le thermocouple devrait indiquer une température comprise entre 335 et 365°F. Si la température est à l'extérieur de ces limites, étalonner de la façon suivante :
  4. Retirer soigneusement le cadran, sans modifier la position de l'axe.
  5. En immobilisant l'axe, tourner avec un petit tournevis plat la vis d'étalonnage à l'intérieur de l'axe dans le sens des aiguilles d'une montre pour diminuer la température ou dans le sens contraire des aiguilles d'une montre pour augmenter la température. Nota : Chaque 1/4 de tour de la vis modifie la température d'environ 25°F.
  6. Remettre en place le cadran du thermostat et répéter les étapes 1 à 3 pour vérifier que le réglage est correct.

**Installation Des Pieds**

**Série G24**

Le profilé des pieds est placé sous la base de l'ensemble. Ce profilé doit être installé quand on utilise les pieds.



**Série G24**

**Installation Des Plaques D'union**

Toutes les unités peuvent être installées indépendamment ou en série avec d'autres équipements de séries G24 ou E24. Pour assurer une adaptation parfaite et permanente entre les appareils, une plaque d'union avant est fournie avec chaque appareil. Si les pieds de 2 po (51 mm) sont livrés avec l'unité, jeter les boulons de mise à niveau et les remplacer par les pieds.

1. Mettre chaque appareil de niveau en ajustant les boulons de mise à niveau ou les pieds. Utiliser un niveau à bulle et mettre l'appareil de niveau dans quatre directions : en travers à l'avant et à l'arrière et verticalement sur les bords de droite et de gauche. Mettre de niveau les autres appareils, par rapport au premier appareil, en fixant chaque appareil à l'appareil voisin.

NOTA : Les grils peuvent ne pas reposer correctement, si les appareils ne sont pas de niveau.

2. Déposer le panneau avant supérieur (s'il n'a pas été déjà déposé) en retirant les vis à ailettes de chaque côté du panneau.

3. Mettre en place la plaque d'union sur les deux boulons situés sur les deux côtés principaux, sous les supports de montage du panneau.

NOTA : Monter la partie centrale encastrée (étagée) de la plaque d'union serrée contre les côtés principaux des appareils montés en rangée. Fixer en place avec les deux écrous hexagonaux fournis.

4. Remettre en place et fixer les panneaux supérieurs avant.

5. Brancher la canalisation d'alimentation en gaz en utilisant au choix l'entrée arrière ou avant. Un robinet manuel facilement accessible et de type homologué devrait être installé sur chaque conduite d'alimentation. Vérifier la présence de fuites.

**Installation De L'équipement Sur Les Socles De Plan De Travail**

**Socles série CS24**

1. Assembler et mettre de niveau le socle de plan de travail comme indiqué dans les instructions se trouvant dans le carton du socle.

2. Retirer et jeter les boulons de mise à niveau des appareils devant être installés sur un socle de plan de travail.

3. Retirer seulement les vis Parker latérales, avant et arrière dans le fond principal des appareils à placer sur les côtés extérieurs du socle.

4. Placer les appareils dans la position souhaitée sur le socle de plan de travail, en fixant le premier appareil avec les vis Parker retirées au paragraphe 3 et en insérant les vis Parker dans les trous de diamètre 9/32 po (7 mm) dans le socle, puis dans les trous où se trouvaient auparavant les vis Parker.

5. Connecter les plaques d'union comme décrit dans la section Installation des plaques d'union Série G24.

6. Fixer le dernier appareil sur le socle de plan de travail avec les vis Parker retirées au paragraphe 3. Insérer les vis Parker dans les trous de diamètre 9/32 po (7 mm) dans le socle, puis dans les trous où se trouvaient auparavant les vis Parker.

# INSTALLATION suite

## Dégagements

### Dégagements Minimum D'installation Par Rapport Aux Murs Combustibles Adjacents Et Type De Plancher Ou Base

DESCRIPTION	MODÈLE OU SÉRIE	CÔTÉ ET PLANCHER OU BASE	TYPE DE
Plaque chauffante	G24-15H	6 po (152 mm)	Non Combustible
Grill	G24 Series (HI-LO)	6 po (152 mm)	Combustible
Grill	G24 Series (Thermostat)	6 po (152 mm)	Combustible
Cuisinière à marmite	G20-SP	6 po (152 mm)	Combustible
Cuisinière à marmite	G20-SPH	6 po (152 mm)	Combustible

On n'insistera jamais assez sur l'importance d'une installation correcte d'un équipement commercial de cuisson à gaz. Le fonctionnement correct de l'équipement dépend, en grande partie, de la conformité de l'installation aux spécifications du fabricant. De plus, il est nécessaire de se conformer au National Fuel Gas code ANSI Z 223.1-1988/NFPA et/ou au code local pour assurer un fonctionnement sécuritaire et efficace.

Au Canada, l'installation et le branchement doivent être conformes aux codes d'installation CAN/CGA – B149 et aux codes locaux le cas échéant.

Tous les réglages des brûleurs doivent être faits par un technicien qualifié spécialiste des appareils à gaz.

1. Le type correct de gaz pour lequel l'appareil a été fabriqué est noté sur la plaque signalétique et il est nécessaire d'utiliser ce type de gaz.

2. La pression de gaz requise dans le collecteur pour une fonctionnellement normal est de 7 po de colonne d'eau avec le gaz naturel et de 1 po de colonne d'eau pour le propane, sauf indication contraire sur la plaque signalétique.

La dimension du collecteur d'entrée pour le branchement à l'alimentation principale en gaz est la suivante :

### Dimension Du Collecteur D'entrée

Cet appareil doit être isolé du système d'alimentation en gaz en fermant son robinet d'arrêt individuel lors de tout essai de pression du système d'alimentation en gaz à des pressions de 1/2 lb/po<sup>2</sup> (3,45 kPa).

Cet appareil et son robinet d'arrêt du gaz individuel doivent être débranchés du système d'alimentation en gaz lors de tout essai de pression de ce système à des pressions dépassant 1/2 lb/po<sup>2</sup> (3,45 kPa).

3. Faire vérifier la pression du gaz par un technicien qualifié afin de s'assurer que les installations de gaz existantes (compoteur, tuyauteries, etc.) fourniront les BTU dont l'appareil a besoin avec une chute de pression ne dépassant pas 1/2 po de colonne d'eau. Pour vérifier la pression, s'assurer que tout l'équipement branché sur la conduite de gaz est en position de fonctionnement.
4. S'assurer que les tuyauteries, joints et branchements neufs ont été exécutés proprement et ont été purgés de façon à ce que la graisse à filétage, les copeaux, etc. ne bouchent pas les robinets des veillesuses et/ou les commandes. Utiliser du produit d'étanchéité pour joint homologué par la CGA pour une utilisation avec le gaz de pétrole liquéfié.
5. AVERTISSEMENT : Vérifier les fuites de gaz sur les raccords avec une solution savonneuse ou des méthodes similaires. NE PAS VÉRIFIER AVEC UNE FLAMME NUE.

DIMENSION DU COLLECTEUR D'ENTRÉE	NUMÉRO DE MODÈLE
3/4 po NPT	G24-15H
3/4 po NPT.	G24-24G, G-24GTHX, G24-36G & G24-36GTHX
1 po NPT	G24-48G, G24-48GTHX, G24-60G, G24-60GTHX, G24-72G & G24-72GTHX
3/4 po NPT	G20-5P & G20-5PH

## Plaque Signalétique

Pour correspondre avec l'usine ou le centre de service agréé local concernant des problèmes de service ou des pièces de rechange, bien faire référence à l'appareil avec le numéro de modèle correct (comprenant les lettres et chiffres du préfixe et du suffixe) et le numéro de série de garantie. La plaque signalétique fixée à l'appareil contient ces informations.

On peut voir la plaque signalétique en retirant le panneau inférieure avant sur la série G22, le bac récepteur sur la série G24 ou le panneau des robinets sur la série G20.

## INSTALLATION

### Informations Générales

1. Vérification des dommages : vérifier le carton ou la caisse pour déceler d'éventuels dommages subis pendant l'expédition. Après un déballage soigneux, vérifier la présence de dommages « cachés ». Signaler immédiatement tout dommage au transporteur.
2. Retirer avec précaution l'appareil du carton ou de la caisse. Retirer de l'appareil les fils d'attache des brûleurs et le matériel d'emballage. Sur les appareils en acier inoxydable et brossé, le matériau de protection couvrant l'acier inoxydable doit être retiré immédiatement après l'installation des appareils.
3. Retirer les panneaux des robinets, les grilles supérieures ou le bassin de friture et les ranger dans un endroit sûr pour qu'ils ne soient pas endommagés.

Nous suggérons de faire faire l'installation, l'entretien et les réparations par une agence de service agréée locale figurant dans le manuel d'informations.

En cas de questions concernant l'installation, l'utilisation, l'entretien ou la réparation du produit, écrire ou communiquer avec le département de service des produits. Ce produit doit être installé par du personnel professionnel tel que spécifié. Les produits Garland/U.S. Range ne sont pas agréés ni autorisés pour une utilisation personnelle ou résidentielle, mais sont destinés à des applications commerciales seulement. Garland / U.S. Range n'offre pas de services de réparation, garantie, entretien ou soutien de n'importe quelle sorte pour des applications autres que commerciales.

4. S'il est nécessaire de retirer la plaque de grill en acier sur les appareils dotés d'un thermostat de grill, le bulbe et le tube capillaire du thermostat de grill doivent d'abord être démontés de l'ensemble de protection du bulbe, situé à la partie inférieure de la plaque de grill. Pour cela, il est nécessaire de soulever l'avant du grill et de le soutenir avec la béquille de grill située sous la plaque de grill. Desserrer les quatre écrous Pal fixant l'ensemble de protection du bulbe thermostatique à la plaque du grill et retirer le bulbe.
5. Quand une plaque de grill doit être installée sur des appareils dotés de thermostats de grill, le bulbe thermostatique doit être inséré dans la rainure entre la plaque et l'ensemble de protection du bulbe. Pour cela, il est nécessaire de soulever l'avant du grill et de le soutenir avec la béquille de grill située sous la plaque de grill. Pour un contrôle précis de la température, il est important que le bulbe soit placé à l'intérieur de la rainure. Serrer les quatre écrous Pal fixant l'ensemble de protection du bulbe à la plaque de grill.

# SPÉCIFICATIONS, GRILS SÉRIE G24

Données techniques des unités de plan de travail à gaz série G24

Tableau D'entrée Gaz Naturel & Propane									
Modèle	Description	Commandes	BTU/H	Gallettes De Viande		Eufs Poêlés		Bifteck Minute	
				Par	Par Heure	Par	Par Heure	Par	Par Heure
G24-24G	Gril 24 po (610 mm)	2 Robinet Hi-lo	66,500	33	165	27	540	27	135
G24-36G	Gril 36 po (914 mm)	3 Robinet Hi-lo	100,000	50	250	40	800	40	200
G24-48GTHX	Gril 48 po (1219 mm)	4 Robinet Hi-lo	133,000	67	335	53	1060	53	265
G24-60G	Gril 60 po (1524 mm)	5 Robinet Hi-lo	166,500	83	415	67	1340	67	335
G24-72G	Gril 72 po (1829 mm)	6 Robinet Hi-lo	200,000	100	500	80	1600	80	400
G24-15H	Plaque chauffante	2 Robinets	29,000						
G20-SP/SPH	20 Po (508mm) De Large Cuisinière À Marmite	1 Infnie Robinet	60,000						

## Notes d'installation

Pression De Fonctionnement du		Pression De Fonctionnement du		Côtés		Arrière	Base
Gaz Naturel (17,5 mbars)	7 po CE	Propane (27,5 mbars)	11 po CE	Gaz Naturel (10 mbars)	4 po CE		
Gaz Naturel		Propane		6(152)	6(152)	6(152)	Incombustible

Nota : Utilisation avec du gaz naturel et du GPL seulement

lorsque les codes locaux les autorisent.

Les débits calorifiques s'appliquent à des installations de gaz naturel inférieures à 2000 pi (610 m) d'altitude au-dessus du niveau de la mer. Les débits calorifiques en BTU doivent être réduits en cas d'installation dans des altitudes élevées. Spécifier l'altitude d'installation du produit en si elle est supérieure à 2 000 pieds (610 m).

## Socles en option série CS24

**Socles de plancher** : Socles robustes de conception ouverte avec pieds en tubes carrés soudés sans joints. Fini noir. Étagère de rangement fournie avec supports jusqu'à 36 po (1 914 mm) de large. Hauteur de travail de tous les appareils sur socles : 35 1/2 po (902 mm). Socles disponibles dans les largeurs suivantes : 15 po (381 mm), 24 po (610 mm), 30 po (762 mm), 36 po (914 mm), 48 po (1 219 mm), 60 po (1 524 mm) et 72 po (1 829 mm). Exemple pour le gril G24-36G. Spécifier socle CS24-36

NOTA : • Il existe de nombreux codes locaux, et il est de la responsabilité du propriétaire et de l'installateur de respecter ces codes.

- Garland se réserve le droit de modifier ou d'améliorer nos spécifications sans préavis.
- Ces appareils sont destinés à une utilisation commerciale par du personnel ayant acquis une formation professionnelle.

# TABLE DES MATIÈRES

2	INFORMATIONS IMPORTANTES
4	SPÉCIFICATIONS, GRILS SÉRIE G24
4	Notes d'installation
5	INTRODUCTION
5	Plaque Signalétique
5	INSTALLATION
5	Informations Générales
6	Dégagements
6	Connexions Du Gaz
6	Dimension Du Collecteur D'entrée
7	Installation Des Pieds
7	Installation Des Plaques D'union
7	Installation De L'équipement Sur Les Socles De Plan De Travail
8	UTILISATION
8	Plaque Chauffante – Modèle G24-15H
8	Grils G24
8	Cuisinière À Marmite G20-SP et G20-SPH
9	Allumage Des Veilleuses Permanentes
10	TABLEAU DES TAILLES DE FLAMME – TOUS LES MODÈLES
10	ENTRETIEN ET NETTOYAGE
10	Extérieur
10	Surfaces De Cuisson
10	Plaques À Frire
11	Feux Ouverts
11	Pot-Au-Feu

## **Maintenir les abords de l'appareil dégagés et ne pas y stocker de produits combustibles**

**AVERTISSEMENT**

Ce produit contient des produits chimiques reconnus par l'état de Californie comme causant le cancer et/ou des malformations congénitales ou d'autres problèmes de reproduction. L'installation et l'entretien de ce produit peut vous exposer aux poussières de laine de verre/fibres céramiques. L'inhalation de ces particules de laine de verre ou de fibres céramiques est reconnue par l'état de Californie comme causant le cancer. L'utilisation de ce produit peut vous exposer au monoxyde de carbone en cas de mauvais réglage. L'inhalation de monoxyde de carbone est reconnue par l'état de Californie comme pouvant causer des malformations congénitales ou d'autres problèmes reproductifs.



# INSTRUCTIONS D'INSTALLATION ET D'UTILISATION

## ÉQUIPEMENT DE COMPTOIR À GAZ SÉRIE G24 ET CUISINIÈRES À MARMITE SÉRIE G20



LIRE TOUTES LES SECTIONS DU PRÉSENT  
MANUEL ET LE CONSERVER POUR S'Y REPORTER  
ULTÉRIEUREMENT.

CE PRODUIT A ÉTÉ HOMOLOGUÉ EN TANT  
QU'ÉQUIPEMENT PROFESSIONNEL DE CUISSON  
ET DOIT ÊTRE INSTALLÉ PAR DU PERSONNEL  
PROFESSIONNEL TEL QUE SPÉCIFIÉ.

DANS L'ÉTAT DU MASSACHUSETTS, CE PRODUIT  
DOIT ÊTRE INSTALLÉ PAR UN PLOMBIER OU UN  
MONTEUR D'INSTALLATION AU GAZ. NUMÉRO  
D'AUTORISATION : G-1-07-05-28

Pour votre sécurité  
Placer dans un endroit bien en vue les  
instructions à suivre en cas d'odeur de gaz  
détectée par l'utilisateur. Cette information peut  
être obtenue auprès du fournisseur de gaz local.

**POUR VOTRE SÉCURITÉ:**  
NE PAS STOCKER NI UTILISER D'ESSENCE  
OU D'AUTRES VAPEURS OU LIQUIDES  
INFLAMMABLES À PROXIMITÉ DE CET  
APPAREIL OU DE TOUT AUTRE APPAREIL

**AVERTISSEMENT**  
UNE INSTALLATION, DES RÉGLAGES, DES  
MODIFICATIONS, DES RÉPARATIONS OU UN  
ENTRETIEN MAL FAITS PEUVENT CAUSER  
DES DOMMAGES MATÉRIELS, DES BLES-  
SURES OU LA MORT. LIRE SOIGNEUSE-  
MENT LES INSTRUCTIONS D'INSTALLATION,  
D'UTILISATION ET D'ENTRETIEN  
AVANT D'INSTALLER OU DE RÉPARER  
L'ÉQUIPEMENT.

L'attention des utilisateurs est attirée sur le fait que l'entretien et les réparations doivent être effectués par un agent d'entretien autorisé par Garland utilisant des pièces de rechange d'origine Garland. Garland n'aura aucune obligation en ce qui concerne n'importe quel produit mal installé, réglé, utilisé ou qui n'aurait pas été entretenu conformément aux codes nationaux et locaux ou aux instructions d'installation fournies avec le produit ou n'importe quel produit dont le numéro de série aurait été mutilé, oblitéré ou supprimé ou qui aurait été modifié ou réparé avec des pièces non autorisées ou par des agents d'entretien non autorisés. Pour obtenir la liste des agents de service autorisés, consulter le site web de Garland à : <http://www.garland-group.com>. Les renseignements contenus dans le présent document (y compris la conception et les spécifications des pièces) peuvent être remplacés ou modifiés sans préavis.