



***MCO ES / ED 10 MODELS
FROM S/N 0004CJ0001 TO Present***

PARTS LIST

Toll Free Phone, (US & Canada): (800) 427-6668

Toll Free Fax, (US & Canada): (800) 361-7745

<http://www.garland-group.com>

Explanation of Serial Number Identification

Sample : 9601CJ0001

- 96 = Year built
(first two characters)
 - 93 = 1993
 - 94 = 1994
 - 95 = 1995
 - 96 = 1996
 - 97 = 1997
 - 98 = 1998
 - 99 = 1999
 - 00 = 2000
 - 01 = 2001

- 01 = Month built
(second two characters)
 - 01 = January
 - 02 = February
 - 03 = March
 - 04 = April
 - 05 = May
 - 06 = June
 - 07 = July
 - 08 = August
 - 09 = September
 - 10 = October
 - 11 = November
 - 12 = December

- CJ = manufacturers item class for
Convection Oven (ALPHA characters)

- 0001 = sequential number of units built that
month.
(running number from 0001 to 9999)

Explanation of Model Number

From Models up to Serial Number 0003CJ9999

Sample: $\frac{M \ C \ O - E \ S - 10 \ M}{1 \ 2 \ 3 \ 4 \ 5 \ 6 \ 7}$

- Position:
- 1 - M - Master
 - 2 - C - Convection
 - 3 - O - Oven
 - 4 - E - Electric, G - Gas Unit
 - 5 - S - Standard Depth,
(D - Deep)
 - 6 - 10 - Single Deck ,
(20 - Stacked)
 - 7 - M - Mechanical Controls
(E - Electronic Controls)

From Serial Number 0004CJ0001

Sample: $\frac{M \ C \ O - E \ S - 10 - A}{1 \ 2 \ 3 \ 4 \ 5 \ 6 \ 7}$

- Position:
- 1 - M - Master
 - 2 - C - Convection
 - 3 - O - Oven
 - 4 - E - Electric , G - Gas Unit
 - 5 - S - Standard Depth,
(D - Deep)
 - 6 - 10 - Single Deck,
(20 - Stacked)
 - 7 - A - Dependent Doors,
300 Series 'mechanical'
controls

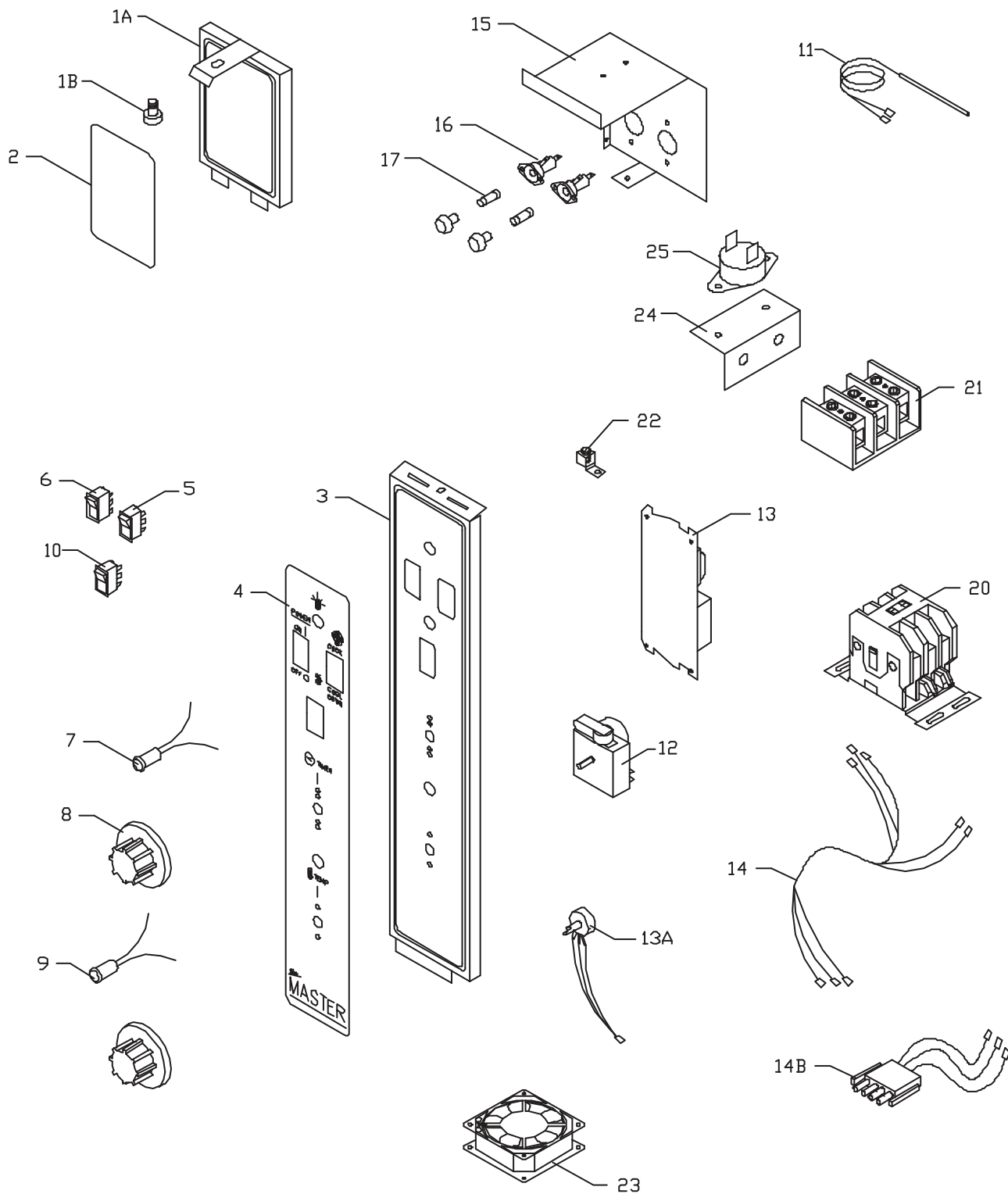


MCO ES / ED 10 MODELS FROM S/N 0004CJ0001 To Present

Contents:

IM200 Manual Control Panel MCO-ES/ED-10 Introduced May 2001 Solid State Controller With Electro Mechanical Timer	Page 4
IM300 Solid State Control Panel With Manual Timer MCO-ES/ED-10 Introduced March 1999.....	Page 6
IM410,IM450,IM455 Digital Control Panels Introduced March 1999 IM470,IM475, Chain Control Panels Introduced April 2000	Page 8
Dependent Door Assemblies (For Units Manufactured Up To April 14/05).....	Page 12
Dependent Door Assemblies (For Units Manufactured From April 14/05).....	Page 16
Oven Components.....	Page 20
Exterior Components.....	Page 22
Revision History.....	Page 25

INTRODUCED MAY 2001



IM200 Manual Control Panel (Electric)

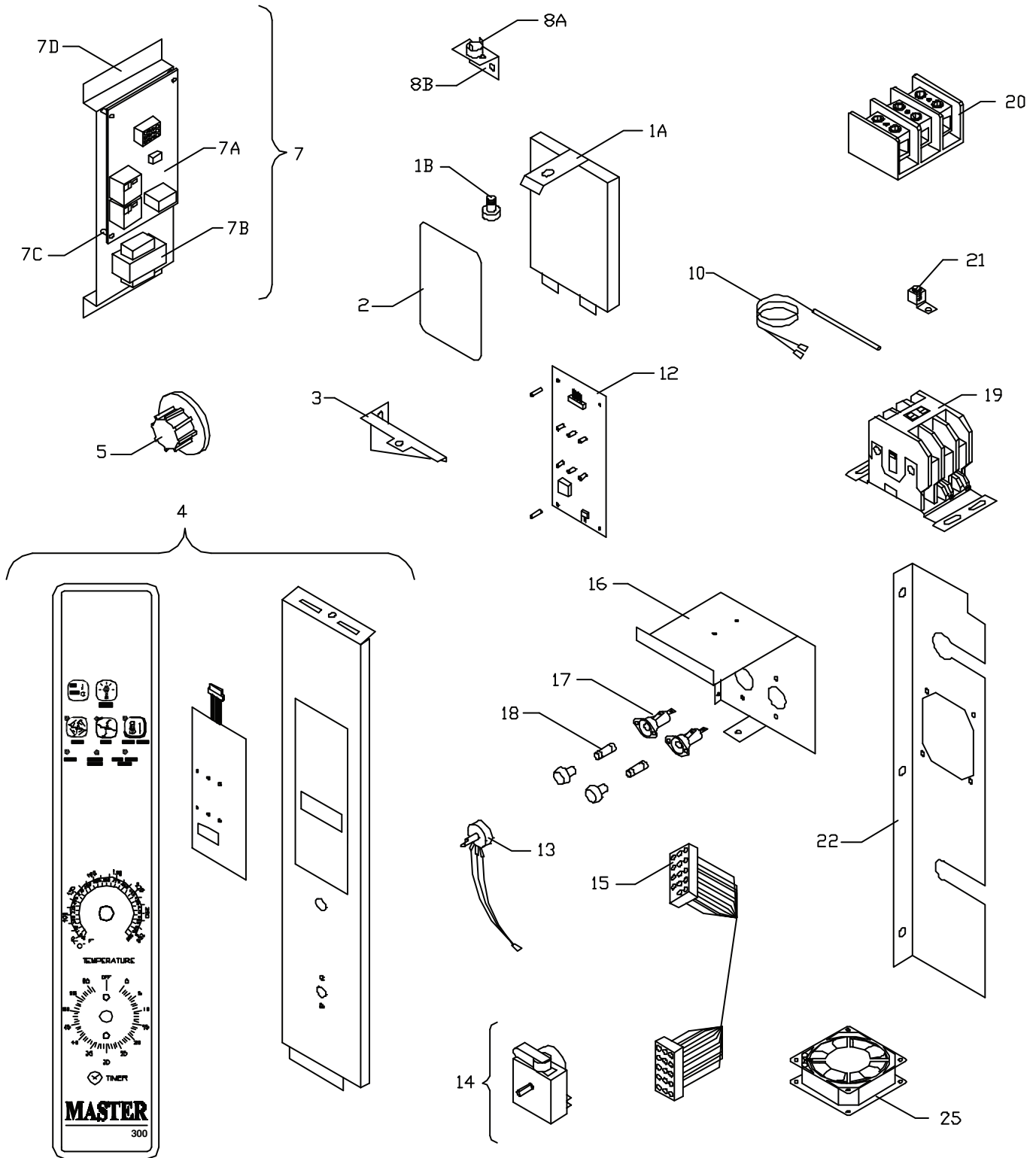
GARLAND PARTS IDENTIFICATION
IM200 Mechanical Control Panel - Introduced May 2001

ITEM	PART #	DESCRIPTION	MODEL		
			MCO-ES/ED-10		
			QTY	FROM DATE	TO DATE
1A	1918501	Cover - Upper Control Panel, SS	1		
1B	GF297	Slotted Thumb Screw 10-24 1/2"	1		
2	1933511	Overlay - Upper Electric	1		
3	1946690	Control Panel Mechanical	1		
4	1908526	Overlay - Model 200 Manual Control	1		
5	1955401	Rocker Power Switch 3 Pos 2 Speed On/Off/On	1		
6	1955402	Rocker Power Switch 2 Pos Hi/Low	1		
7	1006493	Green Pilot Light 240V	1		
8	1765802	Fluted Knob W/2 Set Screws	2		
9	1006498	Pilot Light Amber 240V	1		
10	1955403	Momentary Rocker Switch	1		
11	1906001	Sensor Probe	1		
12	1956002	Mechanical 1 HR Timer 240V 50/60 H	1		
13	1955501	PCB Solid State Controller 150-500	1		
13A	1955601	Potentiometer	1		
13B*	1955801	Standoff	2		
13C*	1955801	Nylon Washer	2		
13D*	8001502	Nut W/L Washer 6-32 Kep	2		
14	1949589	Wire Harness	1		
14A*	1949557	Wire Harness - Mechanical Control Panel	1		
14B	1949579	Wire Harness - Lights	1		
14C*	1949585	Wire Harness - Electric Elements	1		
14D*	1949584	Wire Harness - 460V Transformer	1		
15	1918989	Bracket - Fuse Mount	1		
16	1130102	Fuse Holder (All Voltages)	2		
	1130100	Fuse Holder (460 Volt Only)	2		
17	1130103	Fuse 208/240V – 20 Amps	2		
	1130109	Fuse 15 Amp 600 Volt Class CC – 460 Volts Only	2		
20	9005400	Mercury contactor Up To Serial # 0106CJ0400	1		Jun-01
	1637002	Main Contactor Pole 240V From Serial # 0106CJ0401	1	Jun-01	
21	1193900	Terminal Block - 3 Pole -Hi Voltage	1		
22	1028400	Ground Lug	1		
23	1918202	Cooling Fan 208V/240V	1		
24	1910901	Hi Limit or Thermal Disc Bracket	1		
25	1955101	Temp Switch – Thermal Disc, Cooling	1	24-Feb-05	
26*	1918001	Air Duct – Standard	1		
27*	1918002	Air Duct – Deep	1		
28*	4519264	Cover, Air Duct – Standard	1		
29*	4519265	Cover, Air Duct – Deep	1		
30*	1949515	Wiring Diagram	1		

* NOT ILLUSTRATED

RECOMMENDED STOCK PARTS

INTRODUCED MARCH 1999



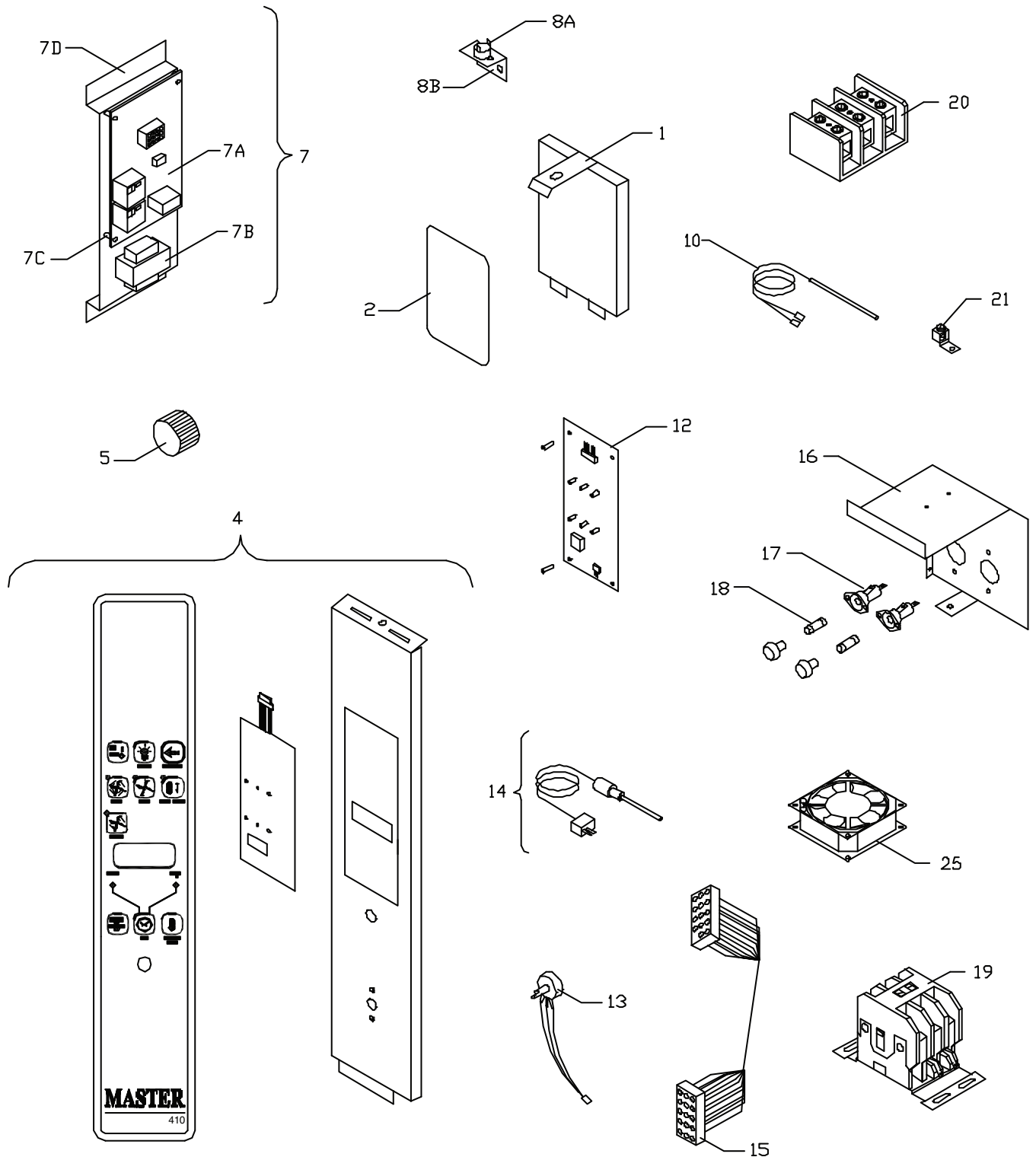
IM300 Ctrl Panel Manual Timer (Electric)

GARLAND PARTS IDENTIFICATION
IM300 Solid State Control Panel With Manual Timer
Models MCO-ES/ED-10 - Introduced March 1999

ITEM	PART #	DESCRIPTION	MODEL		
			MCO-ES/ED-10		
			QTY	FROM DATE	TO DATE
1A	1918501	Cover - Upper Panel, SS		Apr-00	
	1918502	Cover - Upper Control Panel Black (Olive Garden)	1	Apr-00	
1B	GF297	Slotted Thumb Screw 10-24 1/2"	1		
2	1933511	Overlay - Upper Electric	1		
	1908522	Overlay Top Control Electric (Olive Garden)	1		
3	1928998	Top Control Panel Mounting Bracket (Prison Pack)	1	Apr-00	
4	1952893	Panel Assembly - 300L Keypad MCO (W/Light)	1		
	1952894	Panel Assembly -300N Keypad MCO (WO/Light)	1		
5	1765802	Fluted Knob W/2 Set Screws	2		
7	1917098	Relay Board Assembly 208-240V	1		
7A	1916901	Relay Board	1		
7B	1917102	Transformer 208-240V	1		
7C	1767901	Teflon Spacers	4		
7D	1916901	Relay Board Assembly Bracket	1		
8A	1781302	Hi Limit	1		Jul-01
	1955101	Temp. Switch - Thermal Disc, Cooling		Jul-01	
8B	1910901	Hi Limit Or Thermal Disc Bracket	1		
10	9006800	Sensor Probe 5" W/36" Teflon	1		Nov-00
	1906001	Sensor Probe	1	Nov-00	
12	1905701	Digital Control	1		
13	1911801	Potentiometer	1		
14	1285701	Mallory Timer 1 hr 240V 50/60 H	1		
15	1804728	Main Wire Harness (Electric)			Jul-01
	1949589	Wire Harness			
	1949585	Wire Harness - Electric Elements	1	Jul-01	
	1949584	Wire Harness - 460V Transformer			
	1949479	Wire Harness - Lights			
1949578	Wire Harness Fast Relay Board				
16	1918989	Bracket - Fuse Mount			
17	1130102	Fuse Holder (All Voltages)	2		
	1130100	Fuse Holder (460 Volt Only)	2		
18	1130103	Fuse 208/240V - 20 Amps	2		
	1130109	Fuse 15 Amp 600 Volt Class CC 460 Volts Only	2		
19	9005400	Mercury Contactor Up to Serial # 0106CJ0400	1		Jun-01
	1637002	Main Contactor Pole 240V From Serial # 0106CJ0401	1	Jun-01	
20	1193900	Terminal Block - 3 Pole-Hi Voltage			
		For 380/415V	2		
		For 208/240V	1		
21	1028400	Ground Lug	1		
22	1926001	Panel - Right Side, Mid	1	Apr-00	
23*	1926101	Panel - Control Area Back	1	Apr-00	Feb-01
	1926102	Panel Control Area, Back	1	Feb-01	
25	1918202	Cooling Fan 208V/240V	1	Oct-99	
26*	1918001	Air Duct Standard	1	Oct-99	
	1918002	Air Duct Deep	1	Oct-99	
*	1949515	460V Wire Diagram			

* NOT ILLUSTRATED

RECOMMENDED STOCK PARTS



IM410-450 Digital Control Panel (Electric)

GARLAND PARTS IDENTIFICATION

IM410, IM450, IM455 Digital Control Panels - Introduced March 1999

IM470, IM475, Chain Control Panels - Introduced April 2000

ITEM	PART #	DESCRIPTION	MODEL		
			QTY	MCO-ES/ED-10	
				FROM DATE	TO DATE
1	1918501	Cover - Upper Control Panel, SS	1	Apr-00	
2	1933511	Overlay - Upper Electric	1		
4	1952899	Replacement Panel - 410	1		
	1952898	Replacement Panel - 450	1		
	1952897	Replacement Panel - 455	1		
	1952896	Replacement Panel - 470	1		
	1952895	Replacement Panel - 475	1		
5	1720502	Fluted Knob	1		
7	1917098	Relay Board Assembly 208-240V	1		
7A	1916901	Relay Board	1		
7B	1917102	Transformer 208-240V	1		
7C	1767901	Teflon Spacers	4		
7D	1916801	Relay Board Assembly Bracket	1		
8A	1781302	Hi Limit	1		Jul-01
	1955101	Temp. Switch - Thermal Disc, Cooling		Jul-01	
8B	1910901	Hi Limit Bracket	1		
10	9006800	Sensor Probe	1		Nov-00
	1906001	Sensor Probe	1	Nov-00	
12	1905702	410 Digital Control Panel	1		
	1905703	450 Digital Control Panel	1		
	1905704	455 Digital Control Panel	1		
	1905709	470 Chain Control Panel	1		
	1905708	475 Chain Control Panel	1		
13	1911601	Encoder	1		
14	1906004	Core Probe	1		
14A*	1905902	Wire Harness Core Probe	1		
14B*	1946701	Core Probe Bracket	1	Apr-00	
15	1804701	Wire Harness - Arby	1		Jun-01
	1949586	Wire Harness - Electric Arby	1	Jul-01	
	1804728	Main Wire Harness (Electric)	1		Jul-01
	1949589	Wire Harness	1	Jul-01	
	1949585	Wire Harness - Electric Elements			
	1949584	Wire Harness - 460V Transformer			
	1949579	Wire Harness - Lights			
1949578	Wire Harness Fast Relay Board				
16	1918989	Bracket - Fuse Mount	1		
17	1130102	Fuse Holder (All Voltages)	2		
	1130100	Fuse Holder (460 Volt Only)	2		
18	1130103	Fuse 208/240V - 20 Amps	2		
	1130109	Fuse 15 Amp 600 Volt Class CC	2		
19	9005400	Mercury Contactor Up to Serial # 0106CJ0400	1		Jun-01
	1637002	Main Contactor Pole 240V From Serial #0106CJ0401	1	Jun-01	
20	1193900	Terminal Block - 3 Pole-Hi Voltage	1		
		380/415 Volts	2		
21	1028400	Ground Lug	1		
22*	1026001	Panel -Right Side, Mid	1	Apr-00	

* NOT ILLUSTRATED

RECOMMENDED STOCK PARTS

GARLAND PARTS IDENTIFICATION

IM410, IM450, IM455 Digital Control Panels - Introduced March 1999

IM470, IM475, Chain Control Panels - Introduced April 2000

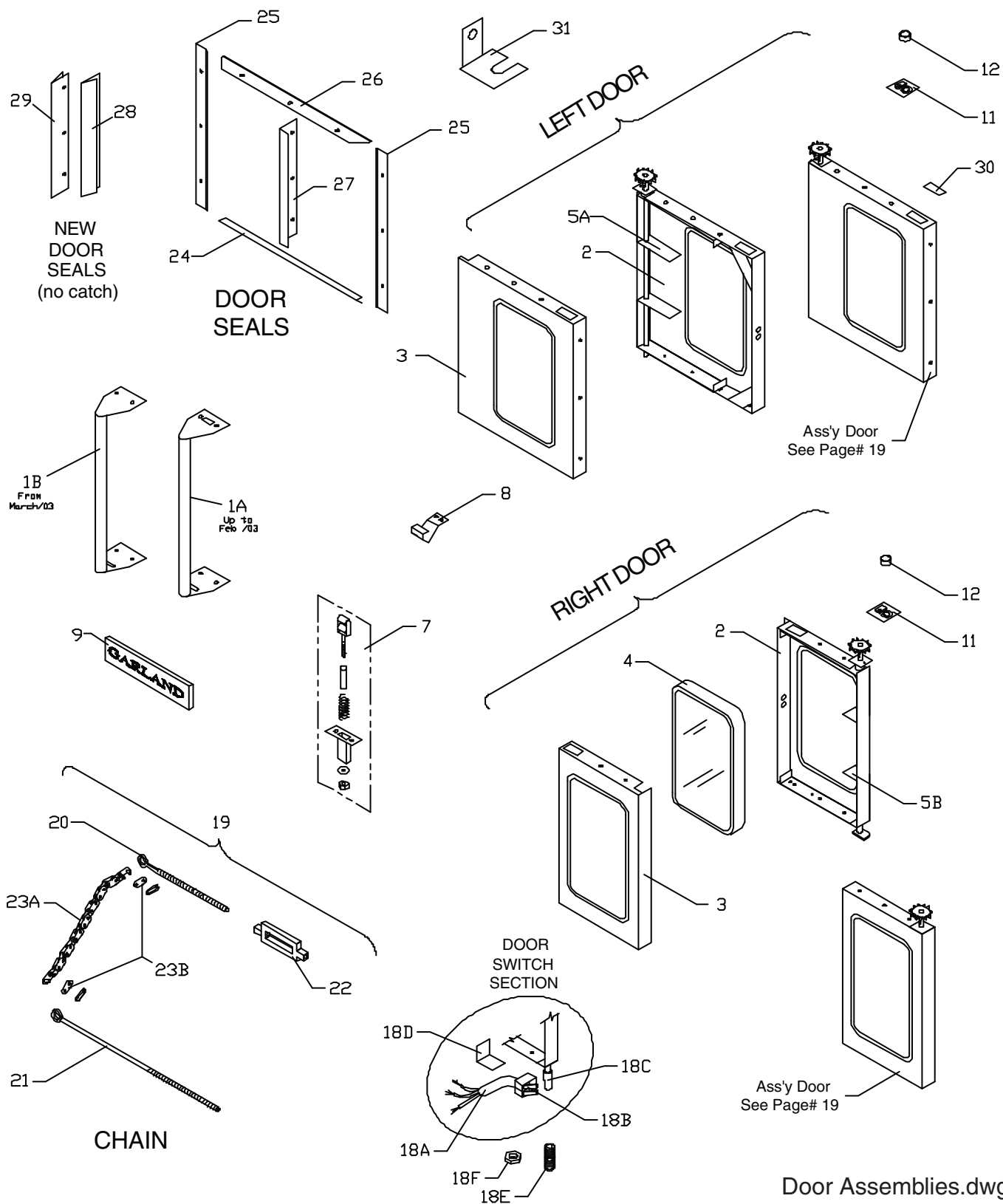
ITEM	PART #	DESCRIPTION	MODEL		
			MCO-ES/ED-10		
			QTY	FROM DATE	TO DATE
23*	1926101	Panel - Control Area Back	1	Apr-00	Feb-01
	1926102	Panel - Control Area, Back	1	Feb-01	
25	1918202	Cooling Fan 208V/240V	1	Oct-99	
26*	1918001	Air Duct Standard	1	Oct-99	
	4519264	Cover, Air Duct – Standard	1		
27*	1918002	Air Duct Deep	1	Oct-99	
	4519265	Cover, Air Duct – Deep	1		

* NOT ILLUSTRATED

RECOMMENDED STOCK PARTS

NOTES

For Units Manufactured Up To April 14/05



GARLAND PARTS IDENTIFICATION

Dependent Door Assemblies

Models: MCO-ES/ED-10

ITEM	PART #	DESCRIPTION	MODEL		
			MCO-ES/ED-10		
			QTY	FROM DATE	TO DATE
1	1924398	Door Handle - Black	1	Apr-00	
	1924395	Door Handle - Black	1		Feb-03
	1924386	Door Handle - Black	1	Mar-03	
	1922799	Wooden Handle Assembly (Olive Garden)	1		
2	1923997	Panel - Left Door Liner Window	1		
	1923996	Panel - Left Door Liner Solid	1		
	1923998	Panel - Right Door Liner Solid	1		
	1923999	Panel - Right Door Liner Window	1		
3	1924001	Panel - Left Door Solid	1		
	1924002	Panel - Left Door Window	1		
	1924007	Panel - Left Door Solid (Prison)	1		
	1924009	Panel - Left Door (Olive Garden)	1		
	1924011	Panel - Left Door Window (Prison)	1		
	1924003	Panel - Right Door Solid	1		
	1924008	Panel - Right Door Solid (Prison)	1		
	1924010	Panel - Right Door, (Olive Garden)	1		
4	1010999	Oven Door Window (3/16" Glass)	1		
5A	1923899	Frame W/A - Left Door	1		14-Apr-05
5B	1923898	Frame W/A - Right Door	1		14-Apr-05
6*	1925099	Bracket W/A - Door Hasp (Prison)			
7	CK1657998	Latch Bench Assembly	1	Aug-95	Jan-03
8	1925005	Bracket - Door Latch	1	Apr-00	
9	1902917	10" Garland Nameplate			Sep-01
	3077100	7-5/8" Garland Nameplate		Oct-01	
10*	1925009	Plate - Door Hasp Back (Prison)			
11	1923499	Plate - Door Bushing	2	Apr-00	14-Apr-05
12	1923201	Spacer - Door Hinge	2	Apr-00	
18A	1804727	Harness – Door Micro Switch	1		
	1949575	Wire Harness -Mechanical Door Switches IM 200 Only	1		
	1949574	Door Switch Wire Harness for Arby's Electric Arby's Only	1		
18B	1855603	High Temperature Micro Switch	2	Jun-99	
	4519715	Micro Switch Hi Temp – Hi Current 200 Series Only	2		
18C	1925101	Cam- Door Switch	1	Apr-00	
18D	1925001	Bracket Door Switch Right	1	Apr-00	
18E	8003802	Set Screw 10x24x3/8"	2		
18F	8001203	Nut Hex Stl 8-32	2		
18G*	8001502	Nut W/Washer 6-32 ksp	2		
18H*	8003208	MSCR-PH 32x32 ST 2P	2		
19	4520166	Door Chain Assembly Includes Items 20, 21, 22, 23A, 23B	1		
20**	1014201	Connecting Door Rod - Short (Not Sold Separately)	2		
21**	1014200	Connecting Door Rod -Long (Not Sold Separately)	2		
22	1015000	Turnbuckle 1/4-20 c/4" Take Up	2		
23A	1021100	Roller Chain #40	2		
23B	1021299	Connecting Link #40	4		

* NOT ILLUSTRATED

** REFERENCE PART NUMBER ONLY

RECOMMENDED STOCK PARTS

GARLAND PARTS IDENTIFICATION

Dependent Door Assemblies

Models: MCO-ES/ED-10

ITEM	PART #	DESCRIPTION	MODEL		
			MCO-ES/ED-10		
			QTY	FROM DATE	TO DATE
24	1924712	Seal - Door Bottom	1	Apr-00	
25	1924601	Seal - Door Left & Right	2	Apr-00	
26	1924711	Seal - Door Top		Apr-00	
27	1924402	Seal - Door, Center For Olive Garden	2	Apr-00	
	1924403	Seal - Door, Center, Black (Olive Garden)	1	Apr-00	
28	1924411	Center Right Seal (From Serial # 0301CJ002)	1	Jan-03	
29	1924412	Center Left Seal (From Serial # 0301CJ002)	1	Jan-03	
30	1928209	Plate Door Handle (From Serial # 0301CJ002)	1	Jan-03	
31	1925013	Bracket – Door Stop L/H	1	Apr-00	
	4519740	Bracket – Door Stop R/H	1	Apr-05	
32*	8003603	Carriage Bolt 3/8-16 x 3/4			
33*	1922801	Olive Garden Handle Bracket Plate			
34*	1019800	Self Threading Pal Nut			
35*	8001210	Nut hex 3/8-16 STI 2p	3		
36*	8000308	Washer – Flat 3/8 x 3/4 Stl 2p	3		
37*	1915914	Insulation – Left Door, W/Window	1		
	1915915	Insulation – Left Door, Solid	1		
38*	1915916	Insulation Right Door, W/Window	1		
	1915917	Insulation – Right Door, Solid	1		
Door Assemblies Kit					
	CK02-001	Door Asm -MCO Left Window	1	Apr-00	31-Dec-02
	CK02-003	Door Asm - MCO Left Solid	1	Apr-00	31-Dec-02
	CK02-007	Door Asm - Left, Window (Prison Pack)	1	Apr-00	31-Dec-02
	CK02-005	Door Asm - Left Solid (Prison Pack)	1	Apr-00	31-Dec-02
	1924878	Door Asm - Left Black (Olive Garden) NLA in Black	1	Apr-00	31-Dec-02
	CK02-002	Door Asm - MCO Right Window	1	Apr-00	31-Dec-02
	CK02-004	Door Asm - MCO Right Solid	1	Apr-00	31-Dec-02
	CK02-006	Door Asm - Right , Solid (Prison Pack)	1	Apr-00	31-Dec-02
	1924978	Door Asm - Right, Black (Olive Garden) NLA in Black	1	Apr-00	31-Dec-02

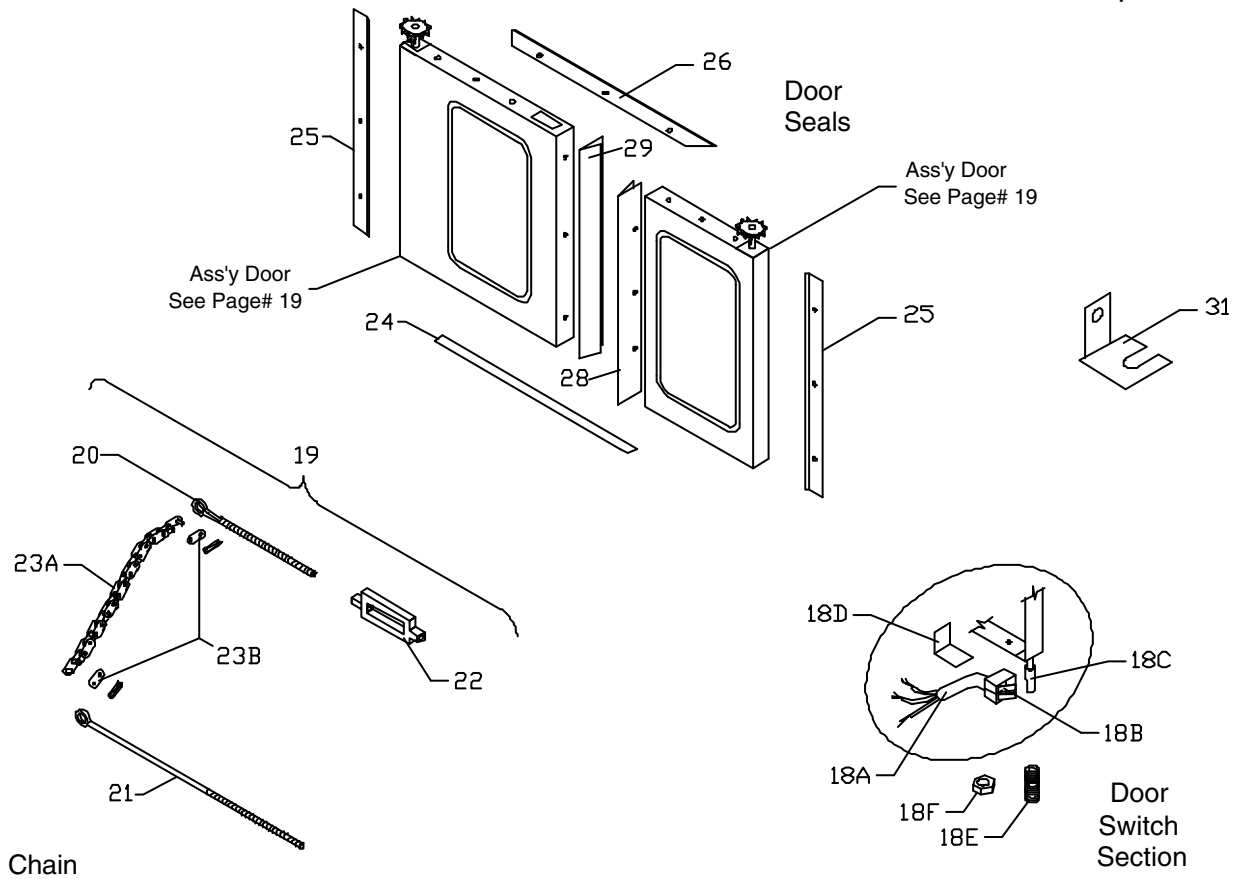
* NOT ILLUSTRATED

** REFERENCE PART NUMBER ONLY

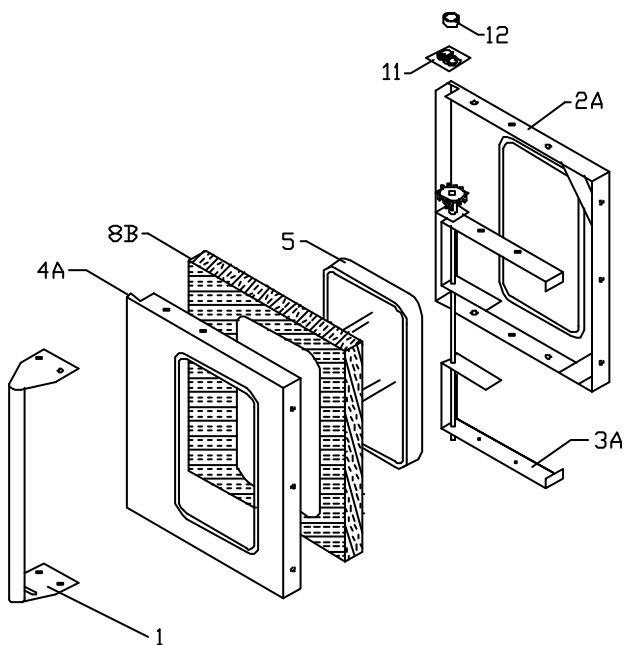
RECOMMENDED STOCK PARTS

NOTES

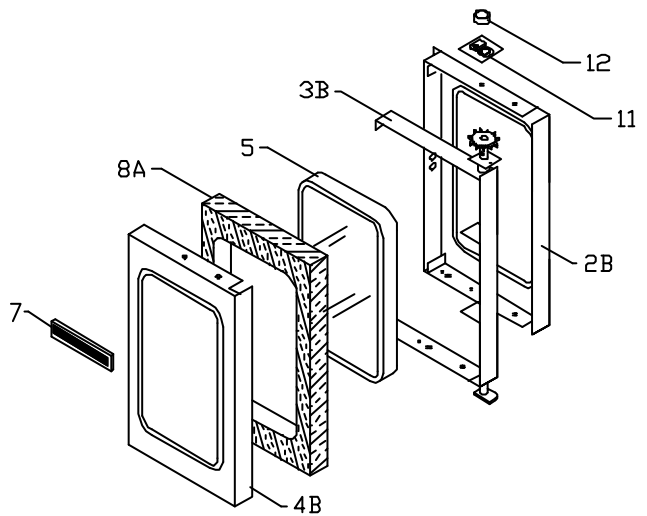
For Units Manufactured After April 14/05



Left Door



Right Door



Door Assemblies 2005

GARLAND PARTS IDENTIFICATION

Door Assemblies - Units manufactured after April 14, 2005

ITEM	PART #	DESCRIPTION	MCO-ES/ED-10		
			QTY	FROM DATE	TO DATE
1	1924396	Door Handle - Black	1	Mar-03	
2A	1923997	Panel - Left Door Liner Window Use in Prison also	1		
	1923996	Panel - Left Door Liner Solid Use in Prison also	1		
2B	1923998	Panel - Right Door Liner Solid Use in Prison also	1		
	1923999	Panel - Right Door Liner Window	1		
3A	4520373	Weld Assembly Frame Left Door Extended Bearing Plate	1		
3B	4520374	Weld Assembly Frame Right Door Extended Bearing Plate	1		
4A	1924001	Panel - Left Door Solid	1		
	1924002	Panel - Left Door Win	1		
	1924007	Panel - Left Door Solid (Prison)	1		
	1924011	Panel - Left Door Window (Prison)	1		
4B	1924003	Panel - Right Door Solid	1		
	1924008	Panel - Right Door Solid (Prison)	1		
	1924004	Panel - Right Door Win	1		
5	1010999	Oven Door Window (3/16" Glass)	1 per door		
6*	1925099	Bracket W/A - Door Hasp (Prison)			
7	3077100	7-5/8" GARLAND Nameplate Mounted on the R/H Door			
8A	1915916	Insulation Right Door, W/Window	1		
	1915917	Insulation - Right Door, Solid	1		
8B	1915914	Insulation - Left Door, W/ Window	1		
	1915915	Insulation - Left Door, Solid	1		
10*	1925009	Plate - Door Hasp Back (Prison)	1		
11	4520301	Assembly Plate - Door Bushing Extended	2	14-Apr-05	
12	1923201	Spacer - Door Hinge	2		
18A	1804727	Harness - Door Micro Switch	1		
	1949575	Wire Harness - Mechanical Door Switches IM 200 Only	1		
	1949574	Door Switch Wire Harness for Arby's Electric Arbys Only	1		
18B	1855603	High Temp Micro Switch	2	Jun-99	
	4519715	Micro Switch Hi Temp - Hi Current 200 Series Control Only	2		
18C	1925101	Cam - Door Switch	1	Apr-00	
18D	1925001	Bracket Door Switch Right	1	Apr-00	
18E	8003802	Set Screw 10x24x3/8"	2		
18F	8001203	Nut Hex Stl 8-32	2		
18G*	8001502	Nut w/Washer 6-32 ksp	2		
18H*	8003208	MSCR-PH-6 32x32 ST 2P	2		
19	4520166	Door Chain Assembly Include items 20, 21, 22, 23A, 23B	1		
20**	1014201	Connecting Door Rod - Short (Not Sold Separately)	2		
21**	1014200	Connecting Door Rod - Long (Not Sold Separately)	2		
22	1015000	Turnbuckle 1/4-20 w/4" Take Up	2		
23A	1021100	Roller Chain #40	2		
23B	1021299	Connecting Link #40	4		
24	1924712	Seal - Door, Bottom	1	Apr-00	
25	1924601	Seal - Door, Left & Right	2	Apr-00	
26	1924711	Seal - Door Top		Apr-00	

* NOT ILLUSTRATED

** REFERENCED PART NUMBER ONLY

RECOMMENDED STOCK PARTS

GARLAND PARTS IDENTIFICATION

Door Assemblies - Units manufactured after April 14, 2005

ITEM	PART #	DESCRIPTION	MCO-ES/ED-10		
			QTY	FROM DATE	TO DATE
28	1924411	Center - Right Door Seal	1		
29	1924412	Center - Left Door Seal	1		
31	1925013	Bracket - Door Stop L/H	1	Apr-05	
	4519740	Bracket - Door Stop R/H	1		
32*	8003603	Carriage Bolt 3/8-16 X 3/4	3		
33*	1019800	Self Threading Pal Nut			
34*	8001210	Nut Hex 3/8-16 Stl 2P	3		
35*	8000308	Washer - Flat 3/8x3/4 Stl 2P	3		

* NOT ILLUSTRATED

** REFERENCED PART NUMBER ONLY

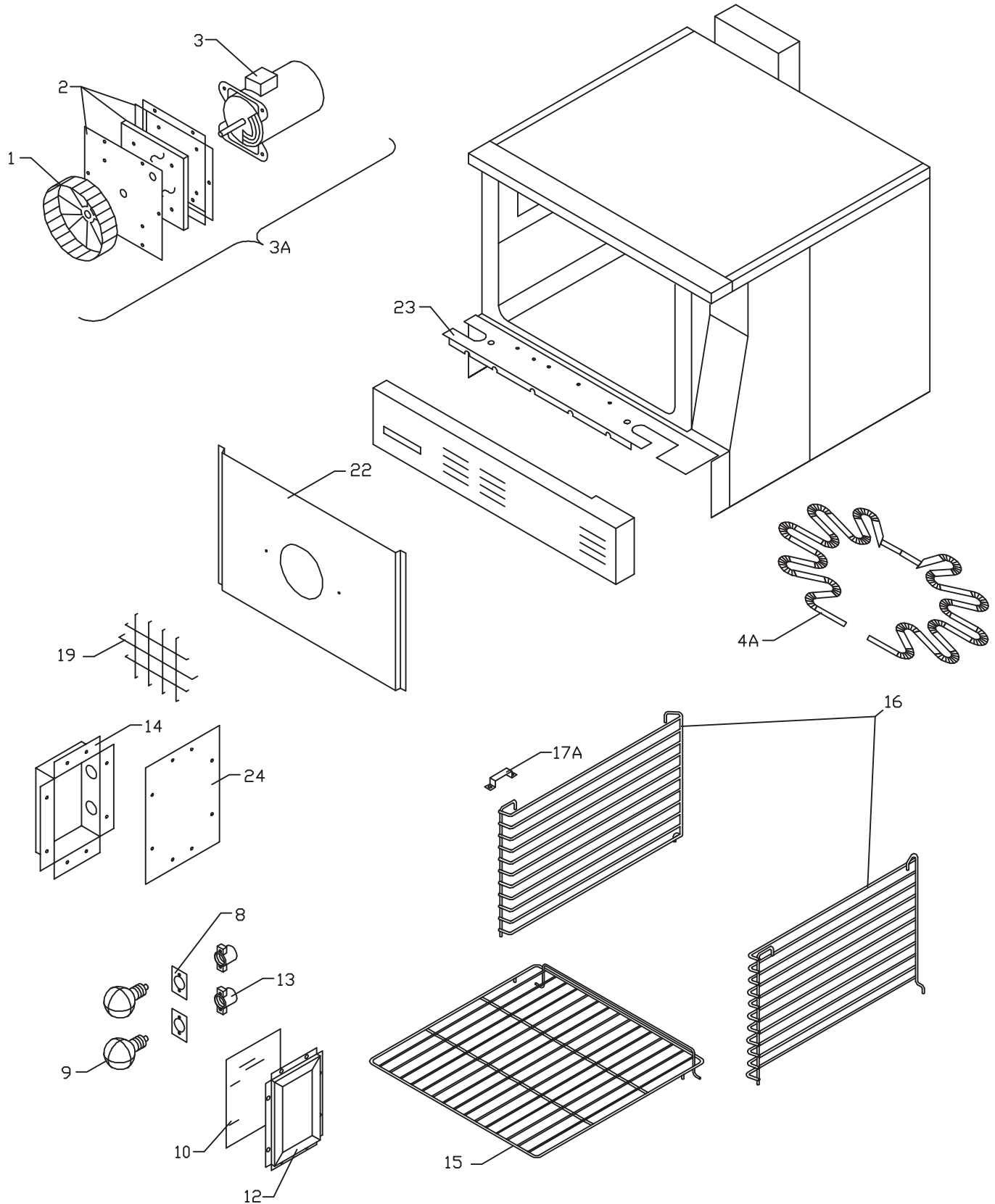
RECOMMENDED STOCK PARTS

GARLAND PARTS IDENTIFICATION

Complete Door Assemblies

Date	Model	Door Assembly Left W/Window	Door Assembly Left Door Solid	Door Assembly Right W/Window	Door Assembly Right Door Solid
Prior March '99	MCO-ES-10 Dependent Doors	CK1803789-A	CK1803788-A	CK1803785-A	CK1803784-A
Prior March '99	MCO-ES-10 Independent Doors	CK1803789-A	CK1803788-A	CK1803787-A	CK1803786-A
March '99 To April '00	MCO-ES-10 Dependent Doors	CK1803789-A	CK1803788-A	CK1803785-B	CK1803784-B
March '99 To April '00	MCO-ES-10 Independent Doors	CK1803789-A	CK1803788-A	CK1803787-B	CK1803786-B
April '00 To Dec 31 '02	MCO-ES-10 Dependent Doors	CK02-001	CK02-003	CK02-002	CK02-004
Jan '03 To April 14, 2005	MCO-ES-10 Dependent Doors	1924869	1924868	1924969	1924968
From Jan 1, 2003 To April 14, 2005	MCO-ES-10 Dependent Doors S/S (Olive Garden)		1924878		1924978
From April 14, 2005 To Present	MCO-ES-10 Dependent Doors (Ext. Bearing Plate) (Also Used for Olive Garden Models)	4520311	4520313	4520312	4520314

Date	Model	Prison Door Left w/Window	Prison Door Left Door Solid	Prison Door Right w/Window	Prison Door Right Door
April '00 To Dec 31 '02	MCO-ES-10 Dependent Doors	CK02-007	CK02-005	NA	CK02-006
Jan '03 To April 14, 2005	MCO-ES-10 Dependent Doors	1924867	1924866	NA	1924966
From April 14, 2004 To Present	MCO-ES-10 Dependent Doors (Ext. Bearing Plate)	4520317	4520315	NA	4520316



Oven Components (Electric)

GARLAND PARTS IDENTIFICATION

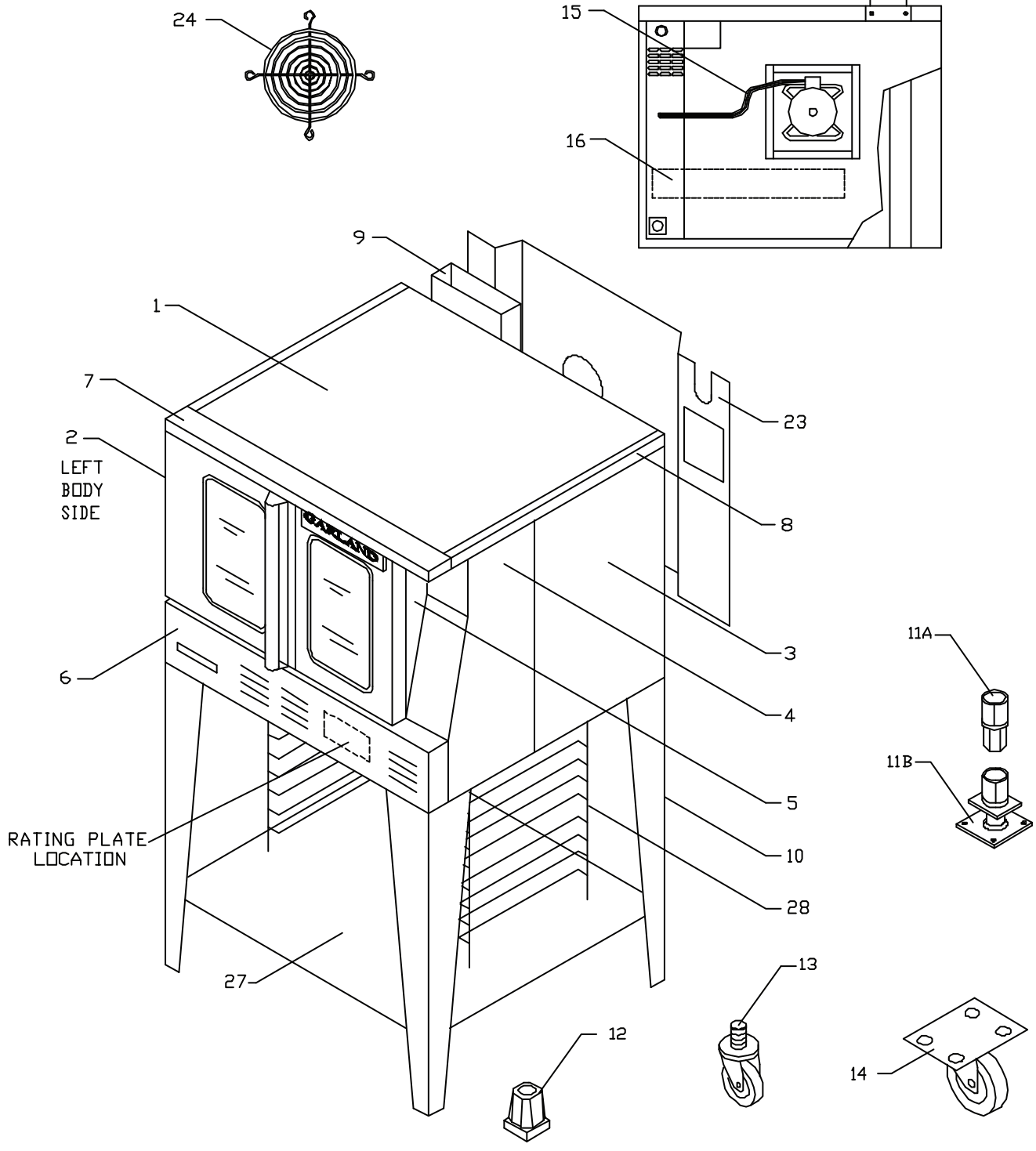
Oven Components

ITEM	PART #	DESCRIPTION	MODEL		
			MCO-ES/ED-10		
			QTY	FROM DATE	TO DATE
1	G02952-01P	Blower Wheel Assembly Plated	1		
2	1915499	Motor Pocket Assembly	1		
3	1686712	Motor 3/4 HP, 208/240V, 2 Speed	1		
3A	CK1003091	Motor Assembly - 2 Speed - 208/240 V	1		
4A	1901701	Chamber Element 208V	3	Oct-98	
	1901702	Chamber Element 240V	3	Oct-98	
	1901703	Chamber Element 460V	3	Oct-98	
4B*	Full Element Assemblies				
	1901799	B/A Chamber Element 10kW 460V	1	Oct-98	
	1901798	B/A Chamber Element 10kW 240V	1	Oct-98	
	1901797	B/A Chamber Element 10kW 208V	1	Oct-98	
5*	1547600	Element Clamp	3	Oct-98	
6*	1925007	Bracket - Element Mounting	3	Apr-00	
7*	1925006	Bracket - Baffle Mount	4	Apr-00	
8	1025900	Light Socket Gasket	2		
9	1623900	Light Bulb 40W	2		
10	1676901	Glass Hi Temp	1		
11*	1928205	Plate - Element Opening	1	Apr-00	
12	1921801	Cover - Light Box	1	Apr-00	
13	1025800	Lamp Socket - Porcelain	2		
14	1921902	Light Box	1	Apr-00	
15	1922201	Open Rack - Std	5	Apr-00	
	1922202	Open Rack - Deep	5	Apr-00	
16	1922001	Oven Rack Guide - 10 Position, Standard	2	Apr-00	
	1922002	Oven Rack Guide - 10 Position Deep	2	Apr-00	
	1922101	Oven Rack Guide - 13 Position, Standard	2	Apr-00	
	1922102	Oven Rack Guide - 13 Position, Deep	2	Apr-00	
17A	1765212	Rack Clip	8	Apr-00	
19	1014500	Blower Inlet Cover	1		
20*	1843301	Probe Patch	1		
21*	1809301	Inlet Patch	2		
22	1901602	Baffle MCO	1		
23	1925202	Channel - Lower Hinge	1	14-Apr-05	
24	1928299	Plate - Light Box Patch - Porcelain	1	Apr-00	
	1928201	Plate - Light Box Patch - SS	1	Apr-00	
25	1925201	Channel - Upper Hinge		14-Apr-05	
26	4519724	Cover - Lower Front Trim - SS	1	Apr-00	
	1925402	Cover - Lower Front Trim Black (Olive Garden)	1	Apr-00	
27*	8005000	1/4 Turn Pin	4		
28*	8005100	1/4 Turn Fastener Receptacle	4		
29*	1022700	Transformer (460V Unit Only)			

* NOT ILLUSTRATED

RECOMMENDED STOCK PARTS

REAR VIEW



Exterior Components (Electric)

GARLAND PARTS IDENTIFICATION

Exterior Components

ITEM	PART #	DESCRIPTION	MODEL		
			MCO-ES/ED-10		
			QTY	FROM DATE	TO DATE
1	1917601	Cover - Main Top, Black w/Trim Holes	1	Apr-00	
	1917602	Cover - Main Top, SS	1	Apr-00	
	1917603	Cover - Main Top, Black w/o Trim Holes	1	Apr-00	
2	1920201	Cover - Body Side Left, SS	1	Apr-00	
	1920202	Cover - Body Side Left, Black	1	Apr-00	
3	1918701	Cover - Body Side Right SS	1	Apr-00	
	1918702	Cover - Body Side Right, Black	1	Apr-00	
4	1918801	Cover - Control Panel Right, SS	1	Apr-00	
	1918802	Cover - Control Panel Right, Black	1	Apr-00	
	1925999	Cover _ Control Panel Right, Prison Pack	1	Apr-00	
5	1925501	Cover - Control Panel Left, SS	1	Apr-00	
	1925599	Cover - Lockable Control Panel, Prison Pack	1	Apr-00	
	1925502	Cover - Control Panel Left, Black (Olive Garden)	1		
6	4519724	Cover - Lower Front Trim SS	1	Apr-00	
	1925402	Cover - Lower Front Trim, Black (Olive Garden)	1	Apr-00	
7	1925301	Cover - Upper Front Trim, SS	1	Apr-00	
	1925302	Cover - Upper Front Trim, Black (Olive Garden)	1	Apr-00	
8	1920701	Cover - Main Top Trim	1	Apr-00	
9	1919999	Vent Arm - Outer	1	Apr-00	
10	1927199	Leg W/A - Single Deck, Caster SS	4	Apr-00	
	1927198	Leg W/A - Single Deck, Caster GG	4	Apr-00	
	1927197	Leg W/A - Single Deck, Foot SS	4	Apr-00	
	1927196	Leg W/A - Single Deck, Foot GG	4	Apr-00	
	1927195	Leg W/A - Double Stack, Foot SS	4	Apr-00	
	1927194	Leg W/A - Double Stack, Foot GG	4	Apr-00	
11A	1236100	1-1/2" Square Foot Insert	4		
11B	1949701	Flanged Foot Insert	4		
12	1775102	Caster Insert (Single Deck Only)	4	Apr-00	
13	1926501	Caster - Single Deck	4	Apr-00	
	1926502	Caster - Single Deck w/Brake	4	Apr-00	
14	1926531	Heavy Duty Caster - Double Deck	4	Apr-00	
	1926532	Heavy Duty Caster - Double Deck	4	Apr-00	
	1926521	Lo Profile Caster - Double Deck	4	Apr-00	
	1926522	Lo Profile Caster - Double Deck	4	Apr-00	
15	1029426	3/8 BX Cable 26" Long	1		
16	1927899	Element Wire Raceway	1	Apr-00	
23	1921001	Cover - Main Back, Std SS	1	Apr-00	
	1921002	Cover - Main Back Std Black	1	Apr-00	
	1921003	Cover - Main Back, Deep SS	1	Apr-00	
	1921004	Cover - Main Back, Deep Black	1	Apr-00	
	1921098	Cover - Main Back, Std Depth (Prison Pack)	1	Apr-00	Feb-02
	1921089	Cover - W/A- Back, Std Depth (Prison Pack)	1	Feb-02	
	1921099	Cover Main Back, Deep Electric (Prison Pack)	1	Apr-00	Feb-02
	1921087	Cover W/A - Deep Depth Electric (Prison Pack)	1	Feb-02	
	1921086	Cover W/A - Deep Depth 460V (Prison Pack)	1		
24	1919001	Cooling Fan Guard (OBS)	1	Oct-99	Feb-01
25*	1782001	Instruction Label	1	May-96	

* NOT ILLUSTRATED

RECOMMENDED STOCK PARTS

GARLAND PARTS IDENTIFICATION

Exterior Components

ITEM	PART #	DESCRIPTION	MODEL		
			MCO-ES/ED-10		
			QTY	FROM DATE	TO DATE
27	1926901	Panel - Open Base GG	1		
	1926902	Panel - Open Base, SS	1		
28	1926702	Rack Guide - Lower, Open Base	2		
29*	1926801	Support - Rack Guide, Upper	1		

* NOT ILLUSTRATED

RECOMMENDED STOCK PARTS

GARLAND PARTS IDENTIFICATION

Revision History

REV. #	PAGE #	ITEM #	NOTE	DATE
4	20	23	1921089 New Cover added - from 2/11/2002	June 28/02
			1921087 New Cover added - from 2/11/2002	
			1921086 New Cover added 460V	
5	17	27*	New Part Number Added	Nov 13/02
	5	24*		
6	12		New Drawing	Jan 6/04
	13,14	28,29,30	New Part Number Added - New Door System	
		31	Replaced Item # 23C By Item 31	
		32*, 33*, 34*	Part # 28*, 29* and 30* Replace by 32*, 33* and 34*	
7	15		Page Added	June 17/04
8	16		New Drawing	Feb 2/05
9			Book Reformatted	Oct 24/05
	4,5	1B,24,25, 26	New Part # Added	
	5	26,27,28, 29		
		30	Item # 30 Was 24	
	6,7	1B	Thumb Screw Part # Added	
	10	26,27	New Part # Added	
	12	18E, 18F	New Drawings	
	13, 14	1, 5A,5B,7, 11	Up To Date Added	
		18B	Part # Changed – Was 1955001	
		18E,F,G,H	New Part Number Added	
		19	Part # Changed – Was CK1138	
		20, 21	Reference Footnote Added	
		35, 36	New Part Number Added	
	14		All Door Assembly Kit Part Numbers Have Been Changed	
	16, 17, 18		3 New Pages Added – New Door Design	
19		Complete Door Assembly Kit Chart Updated		
21	23	Up To Date Added		
	25, 26	Part #'s Added		
	27, 28, 29	Item #'s 27, 28, 29 were 25, 26, 27		
23	6	New Part# Added – Was 4519724		
10	14	37,38	Door Insulation Added	Nov 7/05
	17	8A,8B		
11	5, 7, 9	2	New Part # (1933511) Added - Was 1789606 (Overlay Top Control Panel Electric)	Aug 13/07

NOTES

NOTES

 **Garland**[®]