



GIR INFRA-RED SALAMANDER BROILER

MODELS: GIR36/36C, GIR48, GIR60

PARTS LIST

Toll Free Phone, (US & Canada): (800) 427-6668

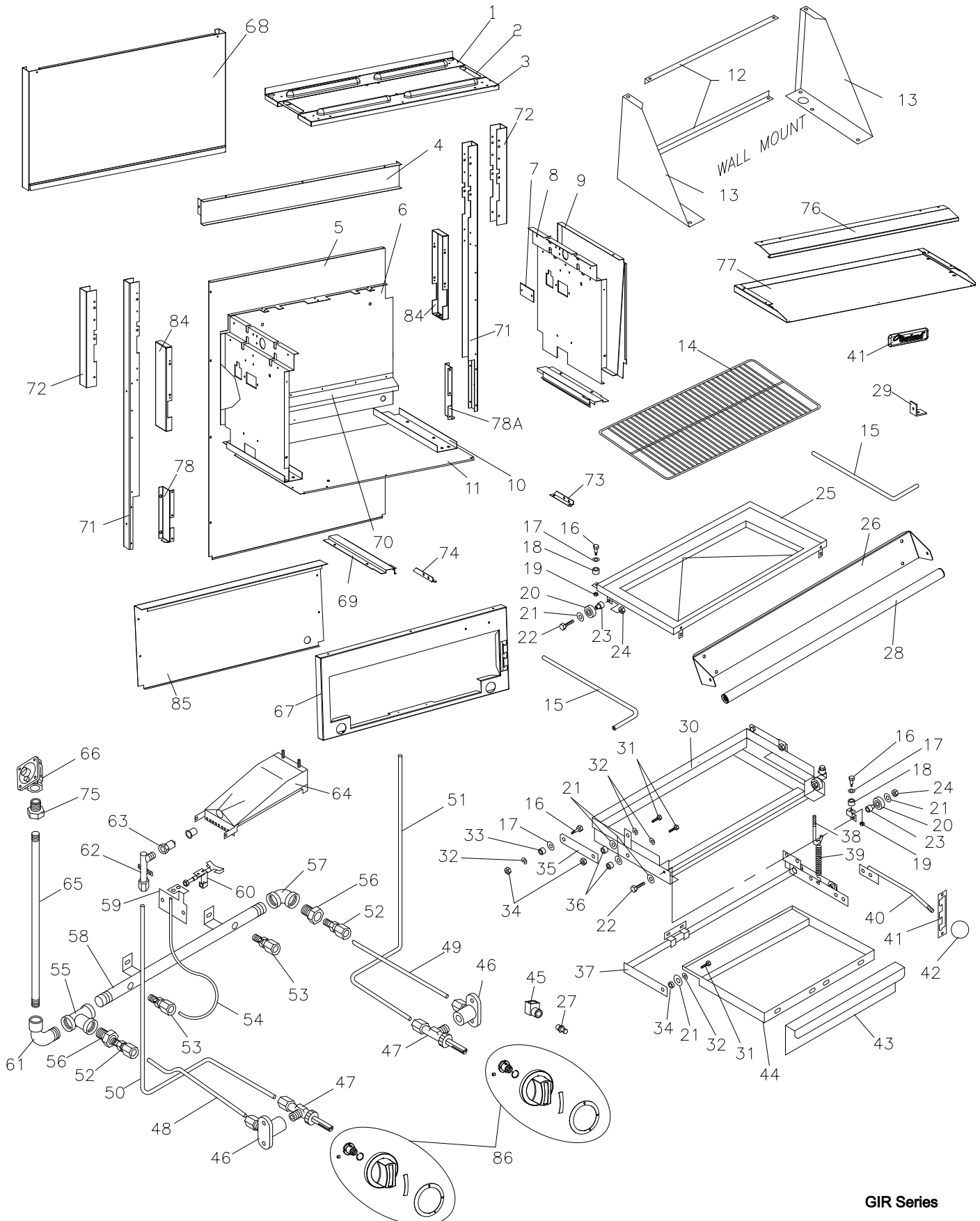
Toll Free Fax, (US & Canada): (800) 361-7745

<http://www.garland-group.com>



**GIR SERIES INFRA-RED SALAMANDER BROILER
MODELS: GIR36/36C, GIR48, GIR60**

DESCRIPTION	PAGE
GIR SERIES - GAS INFRA-RED SALAMANDER BROILER	4
GAS INFRA-RED SALAMANDER GIR48 REAR PANEL VIEW	8
GAS INFRA-RED SALAMANDER GIR60 REAR PANEL VIEW	10
GAS INFRA-RED SALAMANDER OPTIONAL INTER-CONNECT GAS KIT	12
REVISION HISTORY	13



GARLAND PARTS IDENTIFICATION
GAS INFRA-RED SALAMANDER BROILER GIR SERIES

ITEM	PART NO.	DESCRIPTION	QUANTITY				CRITICAL
			GIR36	GIR36C	GIR48	GIR60	
1	G01377-1-6	Main Top Back	1	1	1	1	
2	G01376-1-6	Main Back Center	1	1	1	1	
3	G01375-1-6	Main Top Front	1	1	1	1	
4	G01391-1-6	Front Brace	1	1	1	1	
5	4523215	Salamander Rear Panel	1			1	
	4523912	Salamander Rear Panel S/S - 36 & 60" Models	1			1	
6	2584000	Flue Back	1	1	1	1	
7	G01372-1-6	Orifice Fitting Cover	2	2	2	2	
8	2584100	Side Liner R/H	1	1	1	1	
	2584101	Side Liner L/H					
9	G01392-1-91	Main Side R/H	1	1	1	1	
	G01392-1-92	Main Side L/H					
10	G01378-01-61	R/H Bottom Assembly	1	1	1	1	
	G01378-01-62	L/H Bottom Assembly					
11	2540800	Bottom Cover (OPTION)		1			
12	G01467-1-5	Angle Bracket (OPTION)		2			
13	2582602	Bracket R/H (OPTION)		1			
	2582603	Bracket L/H (OPTION)					
14	1347200	Salamander Rack	1	1	1	1	
15	1387200	Protecting Rod	2	2	2	2	
16	1031301	Broiler Rack Roller Pin	4	4	4	4	
17	1031302	Rack Roller Wire Spacer	4	4	4	4	
18	1035400	Small Roller Bearing	4	4	4	4	
19	F76	1/4" - 20 UNC Nut	4	4	4	4	
20	G01244-1	Large Roller Bearing	4	4	4	4	
21	F256	Lockwasher - 3/8" S/S Split	4	4	4	4	
22	G6424	Glider Bolt Hex 3/8 - 16	4	4	4	4	
23	G01247-3	Rear Bushing	4	4	4	4	
24	F78	3/8"-16 Nut - Hex Black	4	4	4	4	
25	1037286	Rack Frame Weld Assy	1	1	1	1	
26	G01860-3-9	Rack Veneer	1	1	1	1	
27	G02251-1	Pressure Test Spigot	1	1	1	1	
28	4517693	Rack Handle Assembly S/S	1	1	1	1	
29	1341905	Spring Support	1	1	1	1	
30	1342596	Rack Frame Assy	1	1	1	1	
31	F40	1/4" - 20 x 3/4" LG.Hex Bolt	4	4	4	4	
32	F111	1/4" Flat Washer	4	4	4	4	
33	1037810	Rear Bushing	4	4	4	4	
34	F76	1/4" - 20 Nut	4	4	4	4	
35	1342001	Upper Arm	2	2	2	2	
36	1031300	Broiler Rock Roller Bushing	4	4	4	4	
37	1342499	Lever Assy	1	1	1	1	
38	9004701	Oven Door Spring Hook	1	1	1	1	
39	1005803	Spring	1	1	1	1	
40	1342198	Handle Assy Nickel Plated	1	1	1	1	
41	4522397	Nameplate Large - GARLAND	1	1	1	1	
42	1039603	Gray Ball Knob	1	1	1	1	
43	2540700	Grease Tray Front	1	1	1	1	

* NOT ILLUSTRATED

RECOMMENDED STOCK PARTS

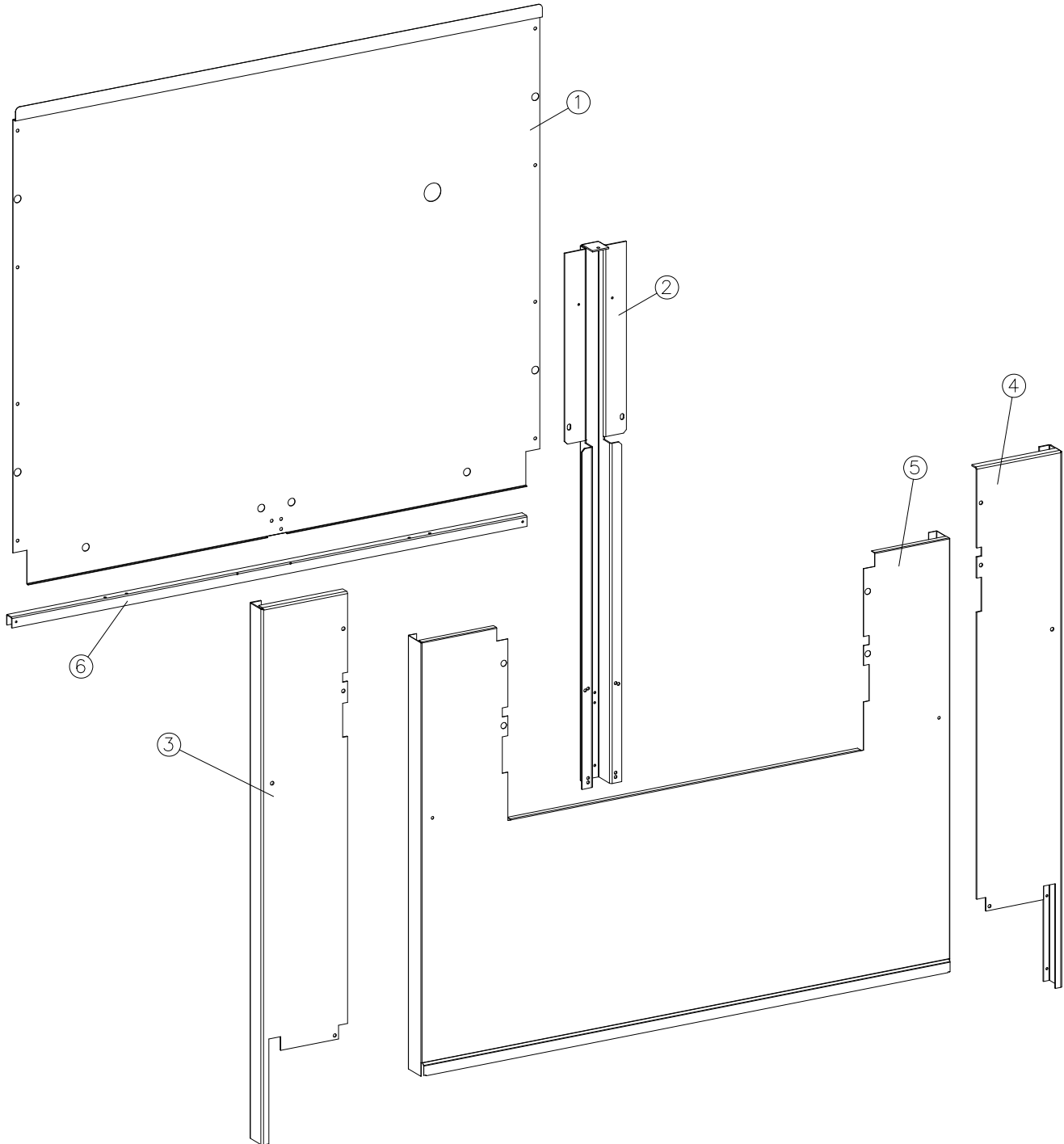
GARLAND PARTS IDENTIFICATION
GAS INFRA-RED SALAMANDER BROILER GIR SERIES

ITEM	PART NO.	DESCRIPTION	QUANTITY				CRITICAL
			GIR36	GIR36C	GIR48	GIR60	
44	2601301	Grease Tray	1	1	1	1	
45	G01917-1	Elbow - 1/8" NPT Street	1	1	1	1	
46	G01435-1	Elbow Flanged	2	2	2	2	
47	G01410-1	Valve Hi-Lo 1/4" NPT to 7/16 CC	2	2	2	2	C
48	G01471-1-8	7/16 Inlet Tubing - Left	1	1	1	1	
49	G01472-1-8	7/16 Inlet Tubing - Right	1	1	1	1	
50	G01473-1-81	7/16 Steel Tubing x 16.312" R/H - Valve to Orifice	1	1	1	1	
51	G01473-1-82	7/16 Steel Tubing x 16.312" L/H - Valve to Orifice	1	1	1	1	
52	G01243-1	Straight Connector Fitting 1/4" NPT X 7/16CC	2	2	2	2	
53	G6809	Valve Pilot 1/4 Tube	2	2	2	2	
54	G01494-16	1/4 Aluminum Tubing x 19" - Pilot	2	2	2	2	
55	4521448	1/2" NPT Tee	1	1	1	1	
56	G01569-1	Reducer Bushing 1/2" To 1/4" NPT	2	2	2	2	
57	G01474-1	Elbow Reducer 1/2" To 1/4" NPT	1	1	1	1	
58	G01412-01-8	Manifold Assy	1	1	1	1	
59	1815602	Pilot Bracket LH/RH	2	2	2	2	
60	1806601	Natural Gas - IR SAL Pilot Burner	2	2	2	2	C
	1806602	Propane Gas - IR SAL Pilot Burner					
61	4521449	Elbow-Street 1/2" NPT 90 DEG	1	1	1	1	
62	G01411-XX	Orifice Fitting Less Orifice Hood	2	2	2	2	
63	G01411-48	Orifice Fitting C/W #48 Hood (Natural)	2	2	2	2	C
	G01411-55	Orifice Fitting C/W #55 Hood (Propane)					
64	CK117	Burner Assembly	2	2	2	2	
65	G01477-9	Nipple 1/2" NPT x 16" Raw (Top Gas Connection)	1	1	1	1	
66	2127503	Regulator Nat 6.0IN W/C	1	1	1	1	C
	2127500	Regulator LP 10IN W/C					
67	4512853	Main Front S/S	1	1	1	1	
68	4523213	Lower Front Panel	1				
69	G01384-01-61	Valve Housing R/H Assembly	1	1	1	1	
	G01384-01-62	Valve Housing L/H Assembly					
70	1819001	Salamander Grease Shield	1	1	1	1	
71	4523228	Salamander Upright Bracket L/H & R/H	2			2	
72	4523229	Upright Side Veneer	2			2	
73	2588601	Strip Filler R/H	1	1	1	1	
74	2588600	Strip Filler L/H	1	1	1	1	
75	G01918-5	Bushing 3/4 to 1/2 NPT Brass	1	1	1	1	
76	2612000	Heat Shield Front S/S (Only Used with Range Mount Models)	1	1	1	1	
77	2612100	Heat Shield Bottom S/S (Only Used with Range Mount Models)	1	1	1	1	
78	4523226	Salamander Support L/H	1	1	1	1	
78A	4523227	Salamander Support R/H	1	1	1	1	
84	G01387-02-9	Support Bracket Assembly		2			
85	G01380-2-8	Main Back AZ		1			
	G01380-2-9	Main Back S/S (OPTION)		1			
86	4527469	GIR/UIR Series Salamander Knob Assembly	2	2	2	2	C

* NOT ILLUSTRATED

RECOMMENDED STOCK PARTS

Notes

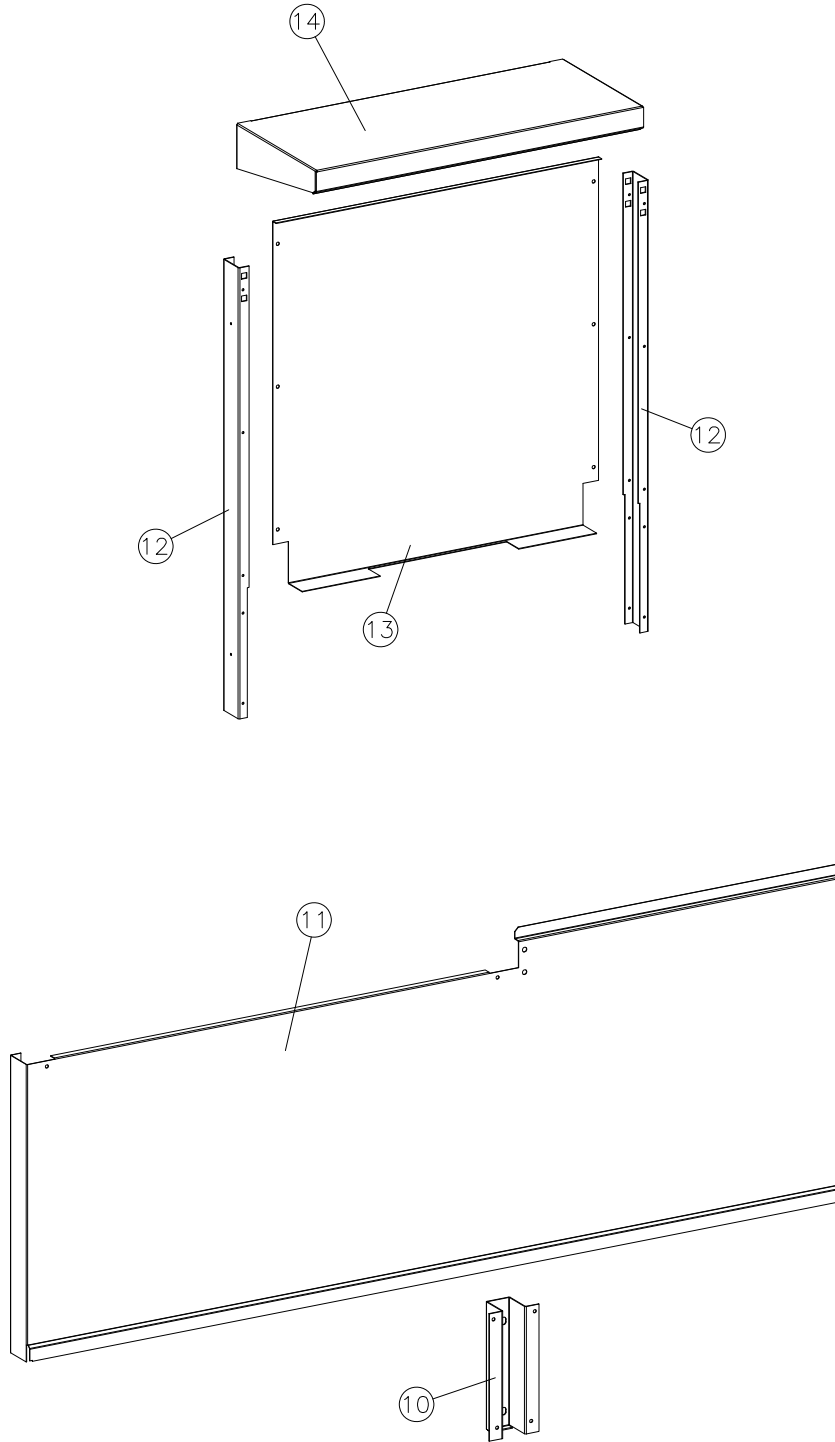


GARLAND PARTS IDENTIFICATION
GAS INFRA-RED SALAMANDER GIR48 REAR PANEL VIEW

ITEM	PART NO.	DESCRIPTION	GIR48
1	4523896	48" Salamander Rear Panel (Standard)	1
	4523913	48" Salamander Rear Panel S/S (OPTION)	1
2	4524043	48" Salamander Centre Support	1
3	4523898	48" Salamander Upright - Left Hand	1
4	4523897	48" Salamander Upright - Right Hand	1
5	4523899	48" Salamander Front Panel	1
6	4524055	48" Salamander Anti Sway Bracket	1

* NOT ILLUSTRATED

RECOMMENDED STOCK PARTS



GARLAND PARTS IDENTIFICATION
GAS INFRA-RED SALAMANDER GIR60 REAR PANEL VIEW

ITEM	PART NO.	DESCRIPTION	GIR60
10	4523282	60" Salamander - High Shelf Support	1
11	4523265	60" High-Shelf Front Panel W/Salamander LT	1
	4523900	60" High-Shelf Front Panel W/Salamander RT	1
	4523901	60" High-Shelf Front Panel W/Salamander LT & BG RT	1
12	4523112	Upright - High Shelf	2
13	4523914	24" High Shelf /Salamander Back Standard	1
	4523915	24" High Shelf /Salamander Back S/S (OPTION)	1
14	4523293	24" Shelf	1

* NOT ILLUSTRATED

RECOMMENDED STOCK PARTS

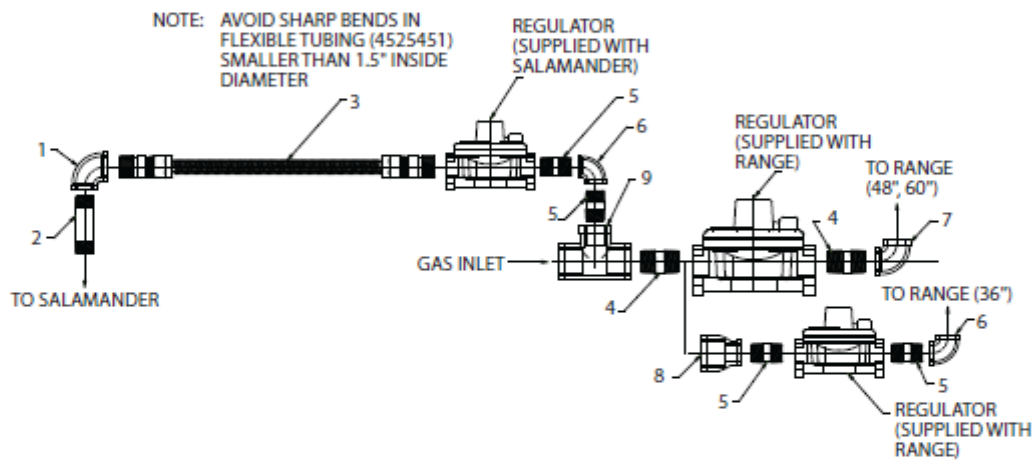
GARLAND PARTS IDENTIFICATION

GAS INFRA-RED SALAMANDER OPTIONAL INTER-CONNECT GAS KIT

Optional Inter-Connect Kit

The gas supply of the range mounted salamanders (Models GFIR36, GFIR48 & GFIR60) may be inter-connected with the supply of the range, so both units are supplied from a single gas connection. The supply gas piping should be a minimum of 1" (25mm) diameter to ensure enough gas capacity is available at the specified pressure to supply the total combined input rating of both appliances. The components comprising the optional inter-connect kit are shown below.

Optional Interconnect Gas Kit # 4523975



ITEM	PART #	DESCRIPTION	QUANTITY	
			GFIR36	GFIR48, GFIR60
1	G01474-9	Reducing Elbow 3/4" NPT X 1/2" NPT	1	1
2	G01896-2	Nipple 1/2" NPT x 3-1/2"	1	1
3	4525451	72" Flexible S.S. Tub Assy	1	1
4	076029-204	Nipple 1" NPT x 2"	1	2
5	G01738-14	Nipple 3/4" NPT x 2"	4	2
6	G01474-5	90° Elbow 3/4" NPT	2	1
7	076029-171	90° Elbow 1" NPT		1
8	2437100	Reducing Adapter 1" NPT - 3/4" NPT	1	
9	3012800	Tee 1" NPT x 1" NPT x 3/4" NPT	1	1
10	4523975	Restaurant Universal Interconnect Kit	*	*

GARLAND PARTS IDENTIFICATION
Revision History

REV. #	PAGE #	ITEM #	NOTE	DATE
			New Book - Model: Gir Series Infra-Red Salamander Broiler	May 17/10

Notes

 **Garland**[®]