



# **GARLAND MODEL G24 Series**

## **PARTS LIST**

Toll Free Phone, (US & Canada): (800) 427-6668

Toll Free Fax, (US & Canada): (800) 361-7745

<http://www.garland-group.com>

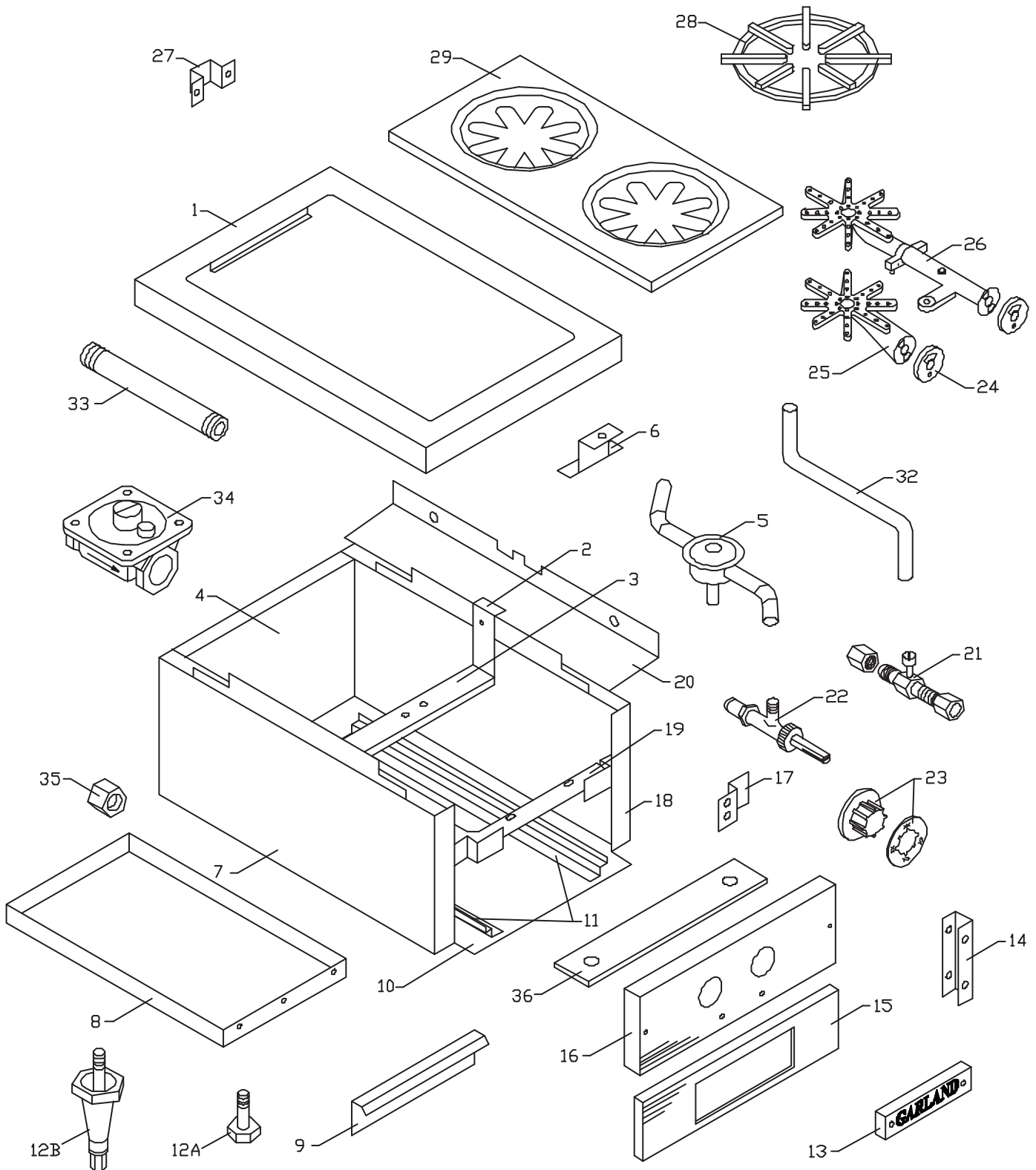




# GARLAND MODEL G24 Series

## ***Contents:***

Hot Plate G24-15H . . . . .	Page 4
Hot Plate Models G24-15HFSD . . . . .	Page 6
Griddles Models G24-24G,-36G & G24-24GTH,-36GTH Throttle Type UN Griddle Control System . . . . .	Page 10
Griddles Models G24-48G,-60G,-72G & G24-48GTH,-60GTH,-72GTH Throttle Type UN Griddle Control System . . . . .	Page 14
Griddles Models G24-24GTHX, G24-36GTHX, G24-48GTHX, G24-60GTHX And G24-72GTHX Snap Action Hydraulic Thermostat System. . . . .	Page 18
Griddles Flame Failure Series Models G24--24GFSD And G24-36GFSD . . . . .	Page 22
Griddles Flame Failure Series Models G24-48GFSD 60GFSD And -72GFSD . . . . .	Page 26
Revision History . . . . .	Page 30



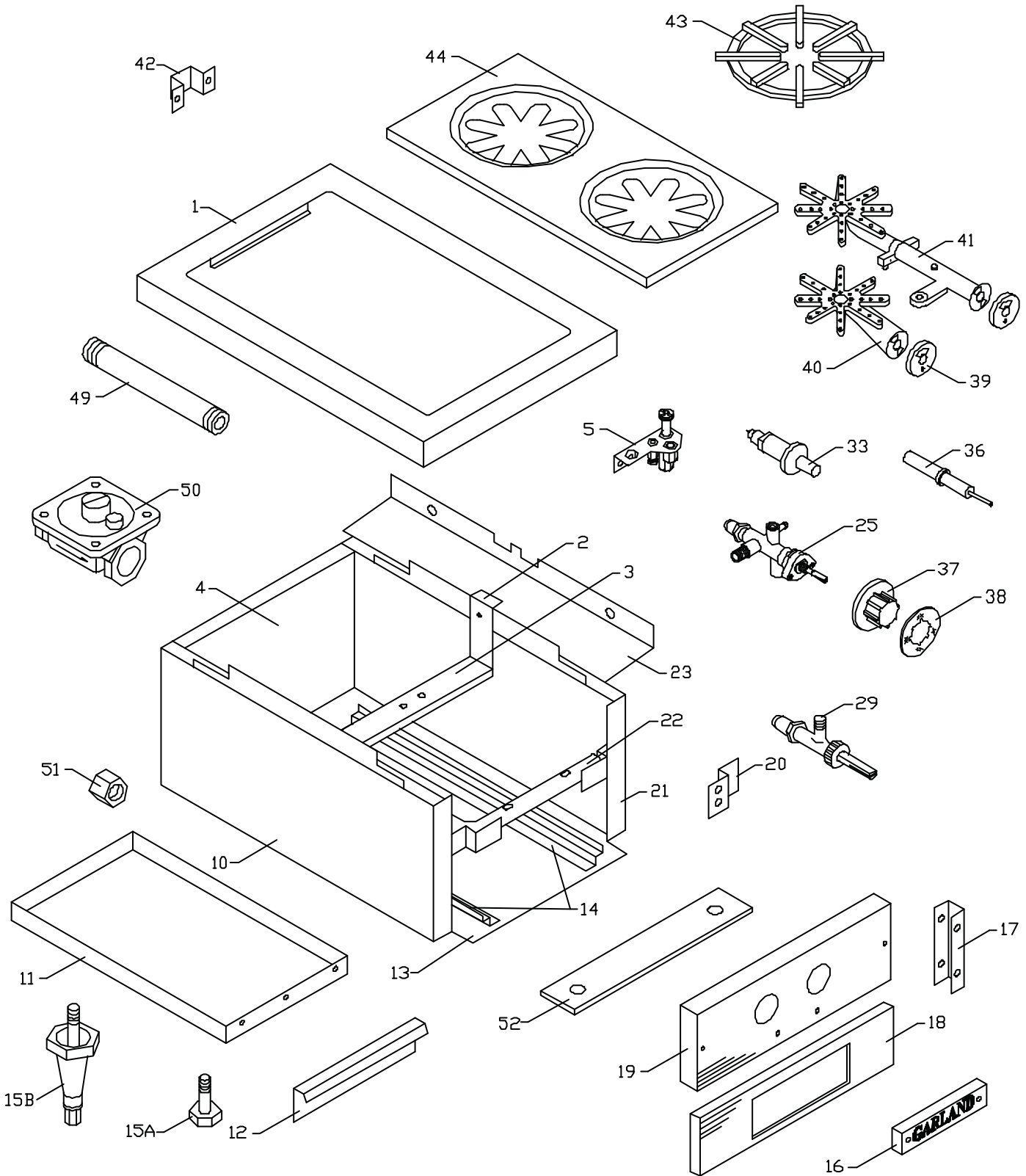
## GARLAND PARTS IDENTIFICATION

### Hot Plate G24-15H

ITEM	PART #	DESCRIPTION	MODEL G24-15H	CRITICAL
			QUANTITY	
1	G0220-01-8P	Main Top Assembly (Plated)	1	
2	G0231-1-7	Burner Rest Support	2	
3	G0230-1-8	Burner Rest	1	
4	G0236-1-8	Main Back	1	
	G0236-1-9	Main Back	1	
5	<b>G7804-280</b>	<b>Lighter Assembly</b>	1	C
6	G0232-1-8	Pilot Bracket	1	
7	G2588-01-82	Main Side Assembly L/H	1	
	G2588-01-92	Main Side Assembly L/H	1	
8	1090103	Drip Tray Small	1	
9	G0227-1-9	Front Drip Pan	1	
10	G0234-1-7	Main Bottom	1	
11	G0235-1-7	Drip Pan Support	2	
12A	F157	Leveling Bolt-3/8-16x1 1/16"	4	
12B	078109-2	4" Adjustable Metal Leg	4	
13	3077101	Garland Nameplate 4-7/8"	1	
14	G0486-1-7	Lower Front Panel Support	2	
15	G0226-1-9	Lower Front Panel	1	
16	G0225-1-9	Upper Front Panel	1	
17	G2227-2-7	Bracket	2	
18	G2588-01-81	Main Side Assembly R/H	1	
	G2588-01-91	Main Side Assembly R/H	1	
19	G0229-01	Manifold Assembly	1	
20	G0233-1-7	Side Aeration Shield	2	
21	<b>1086199</b>	<b>Gum Valve 1/8</b>	1	C
22	G4447-XX	Valve Top Burner Less Hood	2	
	<b>M8-49</b>	<b>Small Hood Natural</b>	2	C
	<b>M8-56</b>	<b>Small Hood Propane</b>	2	C
23	<b>G02716-2</b>	<b>Dial - (Universal) Medium Shaft</b>	2	C
	<b>G02725-1</b>	<b>Dial Insert (OFF)</b>	2	C
24	<b>1028000</b>	<b>Air Shutter</b>	2	C
25	1089201	Top Burner Front	1	
26	1089200	Top Burner Rear	1	
27	G0312-1-9	Banking Plate	1	
28	G5429E	Top Ring Grate Enamelled	2	
29	G01460-1-8E	Top Grate - Enamelled	1	
30*	G1555-1	Front I.D. Plate	1	
31*	G1555-2	Rear I.D Plate	1	
32	1032617	Top Lighter Tube 1/8 OD x 17	1	
33	G01738-19	Nipple 3/4 NPT x 23 3/4"	1	
34	<b>2127502</b>	<b>Gas Regulator Natural 4.5"</b>	1	C
	<b>2127500</b>	<b>Gas Regulator Propane 10"</b>	1	C
35	G01961-1	Coupling 3/4 NPT	1	
36	2285999	Leg Channel Assembly 15"	2	
37*	079716-1	Caution Hot Sticker	1	

\* NOT ILLUSTRATED

#### **RECOMMENDED STOCK PARTS**



Hot Plate-02.dwg

## GARLAND PARTS IDENTIFICATION

### Hot Plate Models G24-15HFSD

ITEM	PART #	DESCRIPTION	MODEL G24-15HFSD	CRITICAL
			QUANTITY	
1	G0220-01-8P	Main Top Assembly (Plated)	1	
2	G0231-1-7	Burner Rest Supports	2	
3	G0230-1-8	Burner Rests	1	
4	G0236-1-8	Main Back	1	
	G0236-1-9	Main Back	1	
5	<b>2520800</b>	<b>Burner Pilot 0190-613</b>	2	C
6*	2520801	Orifice Pilot 51 (NAT)	2	
	2520802	Orifice Pilot 30 (LP)	2	
	2520803	Orifice Pilot 62 (Manufacture Gas)	2	
7*	2200704	3/16" Compression Nut	2	
8*	2520804	Sleeve 3/16" COMP #0.957.025	2	
9*	2527300	Pilot Bracket 43-40FFX	1	
10	G2588-01-82	Main Side Assembly L/H	1	
	G2588-01-92	Main Side Assembly L/H	1	
11	1090103	Drip Tray Small	1	
12	G0227-1-9	Front Drip Pan	1	
13	G0234-1-7	Main Bottom	1	
14	G0235-1-7	Drip Pan Support	2	
15A	F157	Leveling Bolt-3/8-16x1 1/16"	4	
15B	078109-2	4" Adjustable Metal Leg	4	
16	3077101	Garland Nameplate 4 7/8"	1	
17	G0486-1-7	Lower Front Panel Support	2	
18	G0226-1-9	Lower Front Panel	1	
19	2491600	Upper Front Panel	2	
20	G2227-2-7	Bracket	2	
21	G2588-01-81	Main Side Assembly R/H	1	
	G2588-01-91	Main Side Assembly R/H	1	
22	G0229-01	Manifold Assembly	1	
23	G0233-1-7	Side Aeration Shield	2	
24*	<b>G03674-2</b>	<b>Valve -Pilot 3/16" Angle 90 deg</b>	2	C
25	<b>2187100</b>	<b>Flame Failure Valve Oven</b>	2	C
26*	2198102	Valve Connector Fitting 10 MM	2	
27*	2208800	Orifice Block	2	
28*	2203400	Counter Sunk Hex Pipe Plug 1/8 NPT"	2	
29	21045XX	Orifice Fitting	2	
	M8-49	Small Hood Natural	2	
	M8-56	Small Hood Propane	2	
30*	G01917-1	Elbow 1/8" NPT STR. Brass 115-A	1	
31*	<b>2200600</b>	<b>18" Thermocouple</b>	1	C
	<b>2200602</b>	<b>24" Thermocouple</b>	1	C
32*	2200202	24" HT Wire Lead	2	
33	<b>1309201</b>	<b>Piezo Igniter #1244-41</b>	2	
34*	2200706	Nut Thermo Retaining	2	C
35*	2200707	Nut Electrode	2	
36	2200708	Electrode	2	
37	<b>G02716-2</b>	<b>Dial - (Universal) Medium Shaft</b>	2	C
38	<b>G02725-38</b>	<b>Dial Insert</b>	2	C
39	1028000	Air Shutter	2	
40	1089201	Top Burner Front	1	
41	1089200	Top Burner Rear	1	
42	G0312-1-9	Banking Plate	1	
43	G5429E	Top Ring Grate Enamelled	2	
44	G01460-1-8E	Top Grate - Enamelled	1	

\* NOT ILLUSTRATED

#### **RECOMMENDED STOCK PARTS**

## GARLAND PARTS IDENTIFICATION

### Hot Plate Models G24-15HFSD

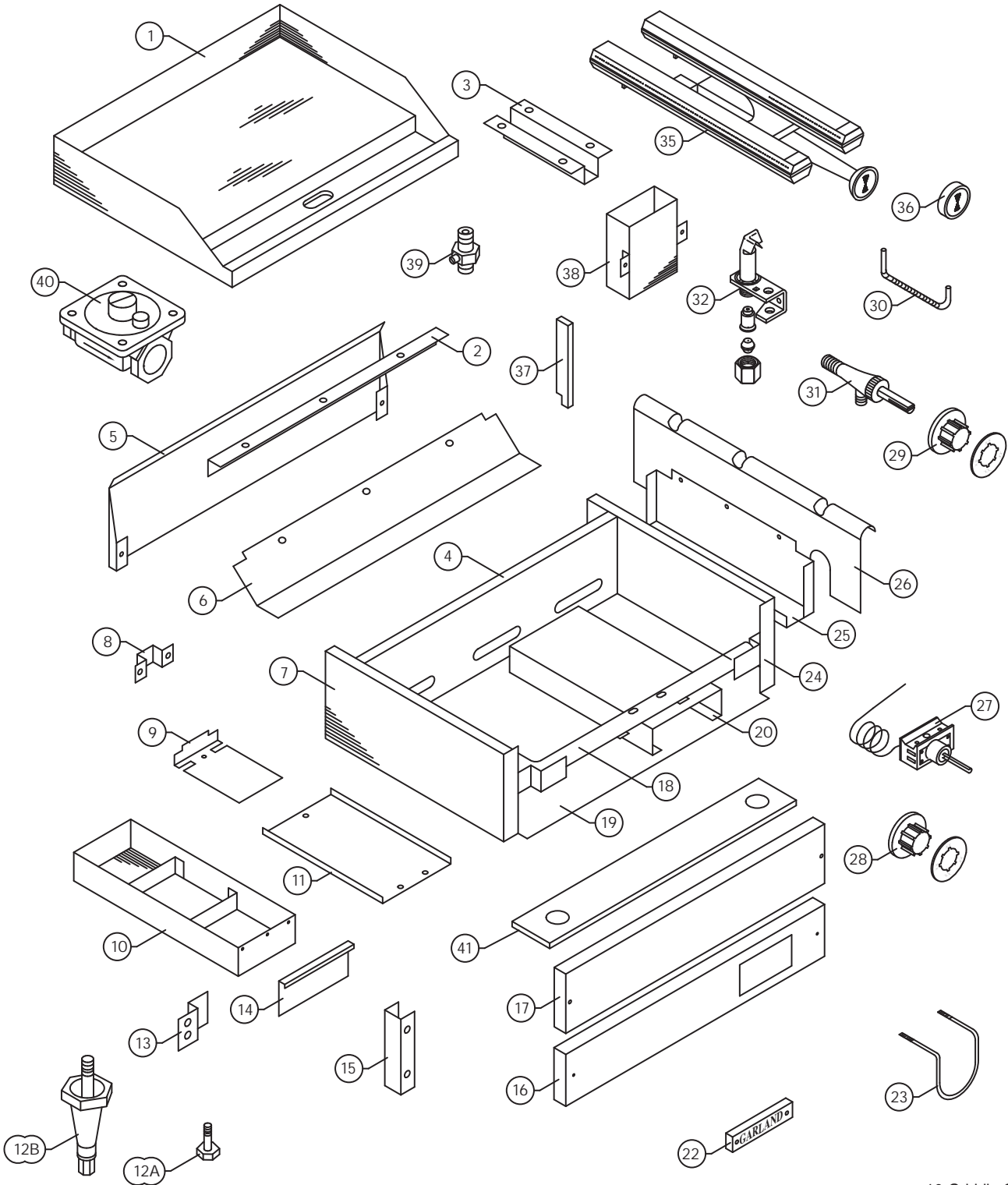
ITEM	PART #	DESCRIPTION	MODEL G24-15HFSD	CRITICAL
			QUANTITY	
45*	G1555-1	Front I.D. Plate	1	
46*	G1555-2	Rear I.D Plate	1	
47*	2324000	Pilot Tube - Front	1	
48*	2324100	Pilot Tube - Rear Burner Pilot	1	
49	G01738-19	Nipple 3/4 NPT x 23 3/4"	1	
50	<b>2127502</b>	<b>Gas Regulator Natural 4.5"</b>	1	C
	<b>2127500</b>	<b>Gas Regulator Propane 10"</b>	1	C
	<b>3018200</b>	<b>Regulator Nat 4.5 (R500FM-66) CE Mark Model Only</b>	1	C
	<b>3018201</b>	<b>Regulator Pro 10.0 (R5210-512) CE Mark Model Only</b>	1	C
51	G01961-1	Coupling 3/4 NPT	1	
52	2285999	Leg Channel Assembly 15"	2	
53*	079716-1	Caution Hot Sticker	1	

\* NOT ILLUSTRATED

**RECOMMENDED STOCK PARTS**



## **NOTES**



**GARLAND PARTS IDENTIFICATION**  
**Griddles Models G24-24G,-36G & G24-24GTH,-36GTH**

ITEM	PART #	DESCRIPTION	MODEL				CRITICAL
			QUANTITY				
			G24-24G	G24-24GTH	G24-36G	G24-36GTH	
1	G0567-024-8	Griddle Assembly	1	1			
	2220999	24" Grooved Griddle Assy.	1	1			
	2220494	Griddle Ass'y 24G-U1R (Grooved 12" R/H)	1	1			
	2220495	Griddle Ass'y 24G-U1L (Grooved 12" L/H)	1	1			
	G0567-036-8	Griddle Assembly	1	1			
	2220799	36" Grooved Griddle Assy.			1	1	
	2220795	36" Grooved Griddle Assy.			1		
	2220796	36" Grooved Griddle Assy.			1		
	2220797	36" Grooved Griddle Assy.			1		
2220798	36" Grooved Griddle Assy.			1	1		
2	4518972	Burner Rest	2	2			
	4518970	Burner Rest			2	2	
3	1473499	Bulb Clamp & Shield Assembly		2		3	
4	G0104-24-8	Main Back	1	1			
	G0104-24-9	Main Back	1	1			
	G0104-36-8	Main Back			1	1	
	G0104-36-9	Main Back			1	1	
5	G0134-24-6	Flue Back	1	1			
	G0134-24-9	Flue Back	1	1			
	G0134-36-6	Flue Back			1	1	
	G0134-36-9	Flue Back			1	1	
6	G0103-24-6	Rear Aeration Shield	1	1			
	G0103-36-6	Rear Aeration Shield			1	1	
7	G2588-01-82	Main Side Assembly L/H	1	1	1	1	
	G2588-01-92	Main Side Assembly L/H	1	1	1	1	
8	G0312-1-9	Banking Plate	1	1	1	1	
9	G0102-1-6	Burner Air Baffle	2	2	3	3	
10	G2176-01-8	Grease Pan Assembly	1	1	1	1	
11	G0101-1-6	Centre Aeration Shield	1	1	2	2	
12A	F157	Leveling Bolt-3/8-16x1 1/16"	4	4	4	4	
12B	078109-2	4" Adjustable Metal Leg	4	4	4	4	
13	G2227-2-7	Bracket	2	2	2	2	
14	G2175-1-9	Grease Pan Front	1	1	1	1	
15	G0486-1-7	Lower Front Panel Support	2	2	2	2	
16	G097-24-9	Lower Panel					
	G097-36-9	Lower Panel					
17	G096-24-9	Top Panel	1	1			
	G096-36-9	Top Panel			1	1	
18	G095-024	Manifold Assembly	1	1			
	G095-036	Manifold Assembly			1	1	
19	G091-24-7	Main Bottom	1	1			
	G091-36-7	Main Bottom			1	1	
20	G7474-1-7	Cover (Grease Tray)	1	1	1	1	
21*	G1555-6	Blank I.D Plate	2	2	3	3	
22	3077101	Garland Nameplate 4 7/8"	1	1	1	1	
23	G0728-1-8P	Therm. Guard-Plated C/W Nuts	2	2	3	2	
24	G2588-01-81	Main Side Assembly R/H	1	1	1	1	
	G2588-01-91	Main Side Assembly R/H	1	1	1	1	

\* NOT ILLUSTRATED

**RECOMMENDED STOCK PARTS**

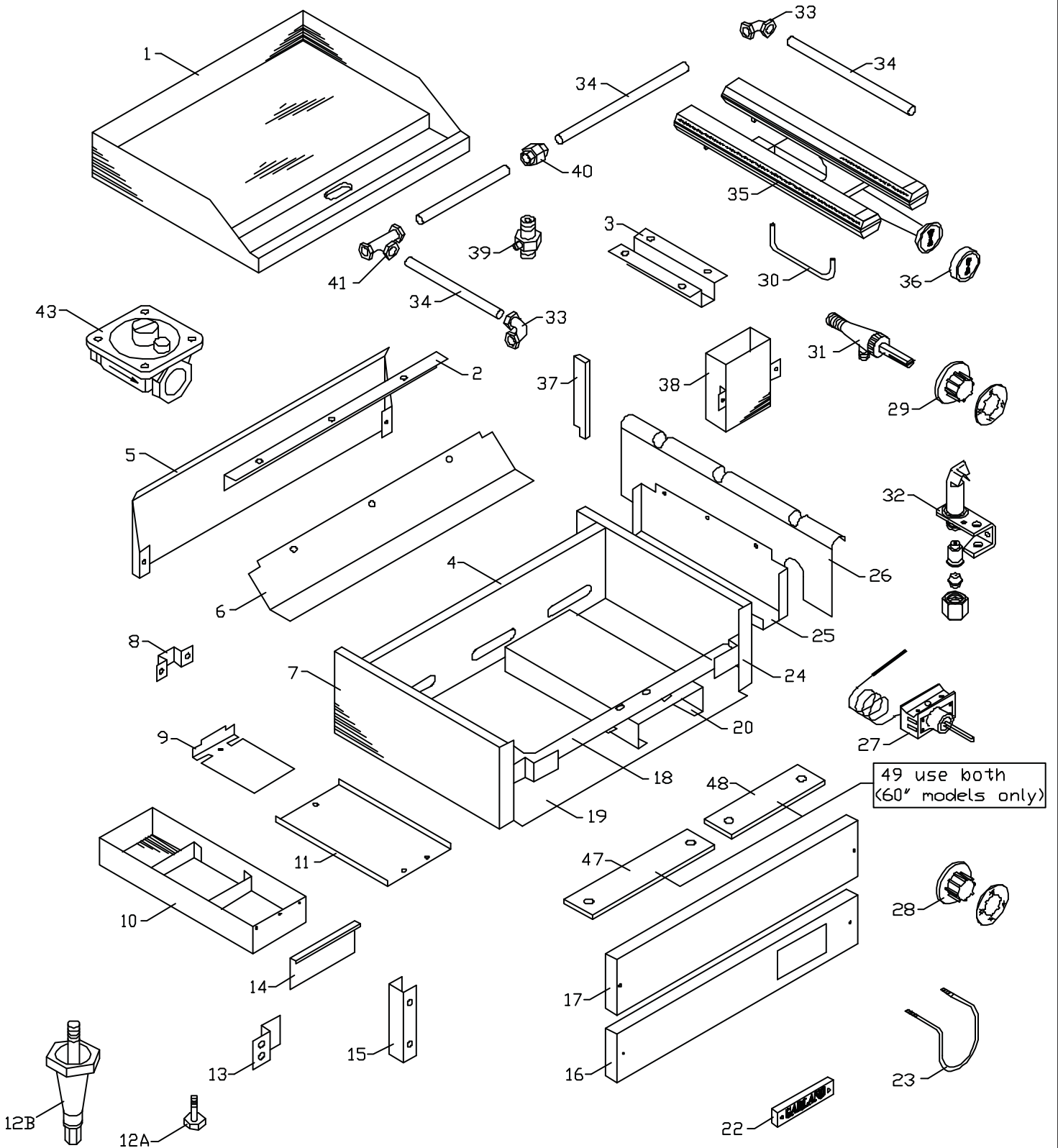
**GARLAND PARTS IDENTIFICATION**  
**Griddles Models G24-24G,-36G & G24-24GTH,-36GTH**

ITEM	PART #	DESCRIPTION	MODEL QUANTITY				CRITICAL
			G24-24G	G24-24GTH	G24-36G	G24-36GTH	
25	G099-1-61	Side Aeration Shield R/H	1	1	1	1	
	G099-1-62	Side Aeration Shield L/H	1	1	1	1	
26	G0100-24-6	Thermostat Shield	1	1			
	G0100-36-6	Thermostat Shield			1	1	
27	<b>G0114-1</b>	<b>Thermostat UN Up To Serial Number 9805CG191R</b>		2		3	C
	<b>3072900</b>	<b>Thermostat (NO LONGER AVAILABLE) Effective from serial number 9805CG192R Note: Use kit part # 4527847 for the 24" Note: Use kit part # 4527848 for the 36"</b>		2		3	C
	<b>M8-33</b>	<b>Small Hood Natural</b>					
	<b>4527847</b>	<b>"G24GTH-24"" UN Service Kit Refer Garland Bulletin # 01-BI-2010-S for more information" at the en d of this book.</b>		1			C
	<b>4527848</b>	<b>"G24GTH-36"" UN Service Kit Refer Garland Bulletin # 01-BI-2010-S for more information" at the en d of this book.</b>				1	C
	<b>M8-50</b>	<b>Small Hood Propane</b>					
28	<b>G02716-2</b>	<b>Dial - (Universal) Medium Shaft</b>		2		3	C
	<b>G02725-14</b>	<b>Dial Insert (OFF/100F/450F)</b>		2		3	C
	<b>G02725-7</b>	<b>Dial Insert (OFF/40C/230C)</b>		2		3	C
29	<b>G02716-2</b>	<b>Dial - (Universal) Medium Shaft</b>	2		3		C
	<b>G02725-2</b>	<b>Dial Insert (OFF/MAX/MIN)</b>	2		3		C
30	<b>4521446</b>	<b>1/4 SS Flex Tube 12" Long - Pilot Valve</b>	2	2	3	3	C
31	4524122	Hi-Lo Valve (Less Hood)	2		3		C
	<b>M8-33</b>	<b>Small Hood Natural</b>	2		3		
	<b>M8-50</b>	<b>Small Hood Propane</b>	2		3		
32	<b>G0554-1</b>	<b>3C-2 Pilot Natural</b>	2	2	3	3	C
	<b>G0554-2</b>	<b>3C-2 Pilot Propane</b>	2	2	3	3	C
	G0554-3	3C-2 Pilot Manufactured	2	2	3	3	C
33*	G01474-5	90 Deg. Elbow - 3/4 NPT Manufactured	1	1	1	1	C
34*	G01738-16	3/4" NPT Pipe x 22 3/4"	1	1	1	1	C
35	<b>1014900</b>	<b>Griddle H Burner</b>	2	2	3	3	
36	<b>1028002</b>	<b>Air Shutter</b>	2	2	3	3	
37	G2402-3-5	Top Support Prop	1	1	1	1	
38	G2539-04-6	Grease Chute Assembly	1	1	1	1	
39	G6809	Gum Valve 1/4	2	2	3	3	
40	<b>2127502</b>	<b>Gas Regulator Natural 4.5"</b>	1	1	1	1	
	<b>2127500</b>	<b>Gas Regulator Propane 10"</b>	1	1	1	1	
41	2285995	Leg Channel Assembly 36"			2	2	C
	2285997	Leg Channel Assembly 24"	2	2			C
42*	079716-1	Caution Hot sicker	1	1	1	1	

\* NOT ILLUSTRATED

**RECOMMENDED STOCK PARTS**

## **NOTES**



## GARLAND PARTS IDENTIFICATION

### Griddles Models G24-48G,-60G,-72G & G24-48GTH,-60GTH,-72GTH

ITEM	PART #	DESCRIPTION	MODEL QUANTITY						CRITICAL
			G24-48G	G24-48GTH	G24-60G	G24-60GTH	G24-72G	G24-72GTH	
			1	G0567-048-8	Griddle Assembly	1	1		
	G0567-060-8	Griddle Assembly			1	1			
	G0567-072-8	Griddle Assembly					1	1	
2	4518972	Burner Rest	2	2	1	1			
	4518970	Burner Rest			1	1	2	2	
3	1473499	Bulb Clamp & Shield Assembly		4		5		6	
4	G0104-24-8	Main Back	2	2	1	1			
	G0104-24-9	Main Back	2	2	1	1			
	G0104-36-8	Main Back			1	1	2	2	
	G0104-36-9	Main Back			1	1	2	2	
5	G0134-24-6	Flue Back	2	2	1	1			
	G0134-24-9	Flue Back	2	2	1	1			
	G0134-36-6	Flue Back			1	1	2	2	
	G0134-36-9	Flue Back			1	1	2	2	
6	G0103-24-6	Rear Aeration Shield	2	2	1	1			
	G0103-36-6	Rear Aeration Shield			1	1	2	2	
7	G2588-01-82	Main Side Assembly L/H	1	1	1	1	1	1	
	G2588-01-92	Main Side Assembly L/H	1	1	1	1	1	1	
	G2588-02-82	Main Side Assembly L/H	1	1	1	1	1	1	
8	G0312-1-9	Banking Plate	2	2	2	2	2	2	
9	G0102-1-6	Burner Air Baffle	4	4	5	5	6	6	
10	G2176-01-8	Grease Pan Assembly	2	2	2	2	2	2	
11	G0101-1-6	Centre Aeration Shield	2	2	3	3	4	4	
12A	F157	Leveling Bolt-3/8-16x1 1/16"	8	8	8	8	8	8	
12B	078109-2	4" Adjustable Metal Leg	8	8	8	8	8	8	
13	G2227-2-7	Bracket	4	4	4	4	4	4	
14	G2175-1-9	Grease Pan Front	2	2	2	2	2	2	
15	G0486-1-7	Lower Front Panel Support	4	4	4	4	4	4	
16	G097-24-9	Lower Panel	2	2	1	1			
	G097-36-9	Lower Panel			1	1	2	2	
17	G096-24-9	Top Panel	2	2	1	1			
	G096-36-9	Top Panel			1	1	2	2	
18	G095-024	Manifold Assembly	2	2	1	1			
	G095-036	Manifold Assembly			1	1	2	2	
19	G091-24-7	Main Bottom	2	2	1	1			
	G091-36-7	Main Bottom			1	1	2	2	
20	G7474-1-7	Cover (Grease Tray)	2	2	2	2	2	2	
21*	G1555-6	Blank I.D Plate	4	4	5	5	6	6	
22	3077101	Garland Nameplate 4 7/8"	2	2	2	2	2	2	
23	G0728-1-8P	Therm. Guard-Plated C/W Nuts	4	4	5	5	6	6	
24	G2588-01-81	Main Side Assembly R/H	1	1	1	1	1	1	
	G2588-01-91	Main Side Assembly R/H	1	1	1	1	1	1	
	G2588-02-81	Main Side Assembly R/H	1	1	1	1	1	1	
25	G099-1-61	Side Aeration Shield R/H	2	2	2	2	2	2	
	G099-1-62	Side Aeration Shield L/H	2	2	2	2	2	2	
26	G0100-24-6	Thermostat Shield	2	2	1	1			
	G0100-36-6	Thermostat Shield			1	1	2	2	

\* NOT ILLUSTRATED

**RECOMMENDED STOCK PARTS**

## GARLAND PARTS IDENTIFICATION

### Griddles Models G24-48G,-60G,-72G & G24-48GTH,-60GTH,-72GTH

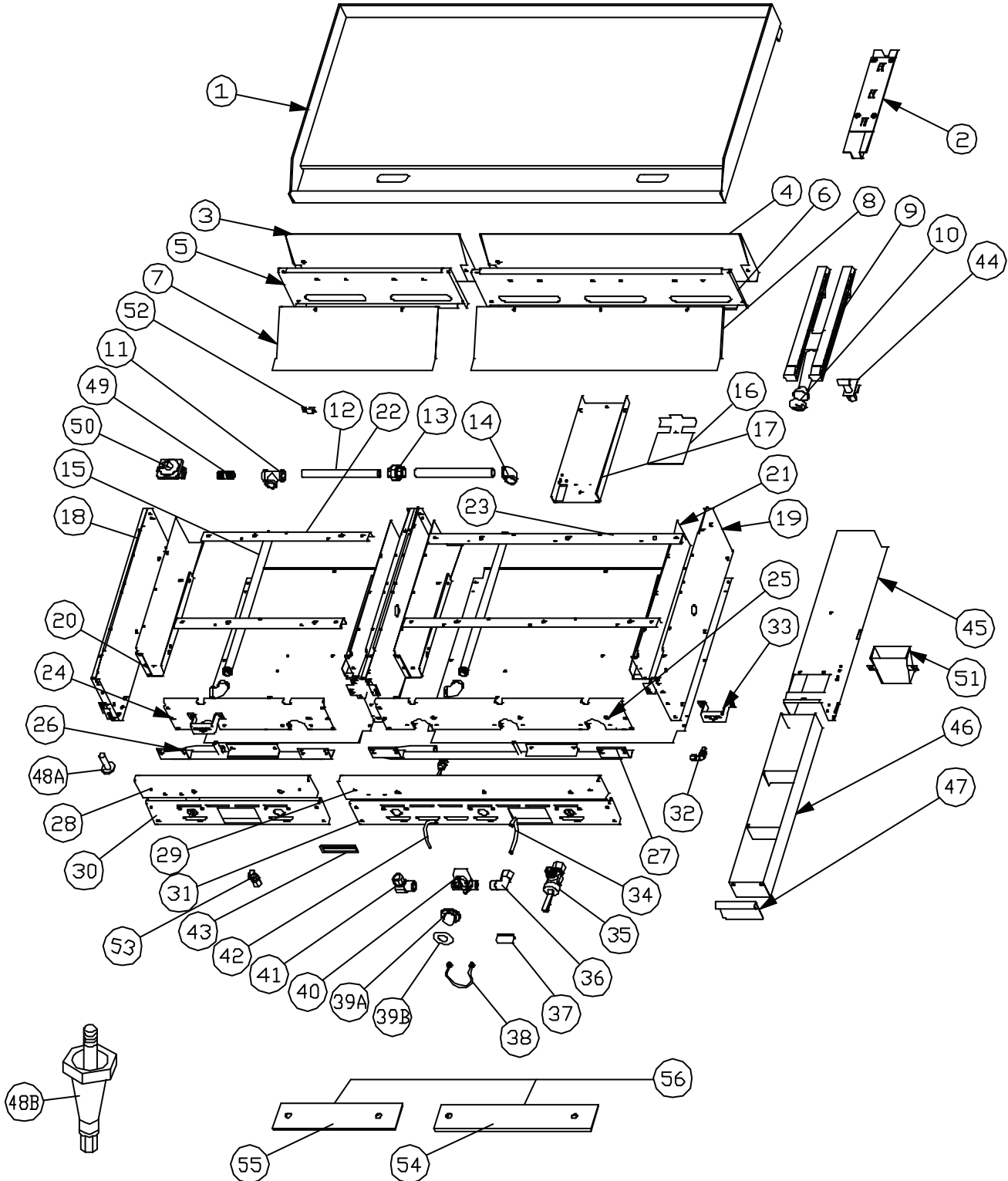
ITEM	PART #	DESCRIPTION	MODEL						CRITICAL
			QUANTITY						
			G24-48G	G24-48GTH	G24-60G	G24-60GTH	G24-72G	G24-72GTH	
27	<b>G0114-1</b>	<b>Thermostat UN</b> <b>Up To Serial Number 9805CG191R</b>		4		5		6	C
	<b>3072900</b>	<b>Thermostat (NO LONGER AVAILABLE)</b> <b>Effective from serial number 9805CG192R</b> <b>Note: Use kit part # 4527847 for the 24"</b> <b>Note: Use kit part # 4527848 for the 36"</b>		4		5		6	C
	<b>M8-33</b>	<b>Small Hood Natural</b>							
	<b>4527847</b>	<b>"G24GTH-24"" UN Service Kit</b> <b>Refer Garland Bulletin # 01-BI-2010-S for more information" at the end of this book.</b>		2		1			
	<b>4527848</b>	<b>"G24GTH-36"" UN Service Kit</b> <b>Refer Garland Bulletin # 01-BI-2010-S for more information" at the end of this book.</b>				1		2	
	<b>M8-50</b> <b>M8-50</b>	<b>Small Hood Propane</b> <b>Small Hood Propane</b>							C
28	<b>G02716-2</b>	<b>Dial - (Universal) Medium Shaft</b>		4		5		6	C
	<b>G02725-14</b>	<b>Dial Insert (OFF/100F/450F)</b>		4		5		6	C
	<b>G02725-7</b>	<b>Dial Insert (OFF/40C/230C)</b>		4		5		6	C
29	<b>G02716-2</b>	<b>Dial - (Universal) Medium Shaft</b>	4		5		6		C
	<b>G02725-2</b>	<b>Dial Insert (OFF/MAX/MIN)</b>	4		5		6		C
30	<b>4521446</b>	<b>1/4 SS Flex Tube 12" Long - Pilot Valve</b>	4	4	5	5	6	6	C
	<b>4524122</b>	<b>Hi-Lo Valve (Less Hood)</b>	4		5		6		C
31	<b>M8-33</b>	<b>Small Hood Natural</b>	4		5		6		C
	<b>M8-50</b>	<b>Small Hood Propane</b>	4		5		6		C
	<b>G0554-1</b>	<b>3C-2 Pilot Natural</b>	4	4	5	5	6	6	C
32	<b>G0554-2</b>	<b>3C-2 Pilot Propane</b>	4	4	5	5	6	6	C
	G0554-3	3C-2 Pilot Manufactured	4	4	5	5	6	6	
33	G01474-5	90 Deg. Elbow - 22 3/4 NPT Manufactured	3	3	3	3	3	3	
34	G01738-16	3/4" NPT Pipe x 22 3/4	2	2	2	2	3	3	
	G01738-20	3/4" NPT x10 5/8" Manifold Pipe	2	2	2	2	1	1	
35	<b>1014900</b>	<b>Griddle H Burner</b>	4	4	5	5	6	6	C
36	<b>1028002</b>	<b>Air Shutter</b>	4	4	5	5	6	6	C
37	G2402-3-5	Top Support Prop	2	2	2	2	2	2	
38	G2539-04-6	Grease Chute Assembly	2	2	2	2	2	2	
39	G6809	Gum Valve 1/4	4	4	5	5	6	6	
40	G01963-1	Union 3/4 NPT (1026905)	1	1	1	1	1	1	
41	G03716-1	1"x.75x.75" Reducing Tee	1	1	1	1	1	1	
42*	G0623-1-7	Griddle Support Strip	1	1	1	1	1	1	
43	<b>2127502</b>	<b>Gas Regulator Natural 4.5"</b>							C
	<b>2127500</b>	<b>Gas Regulator Propane 10"</b>							C
44*	G01476-2	Tee 3/4 NPT	1	1	1	1	1	1	
45*	G01738-14	Nipple 3/4 NPT x 2"	2	2	2	2	2	2	
46*	2437100	1" - 3/4" Reducing Adaptor	1	1	1	1	1	1	
47	2285995	Leg Channel Assembly 36"					4	4	
48	2285997	Leg Channel Assembly 24"	4	4					
49	2285995	Leg Channel Assembly 36"			2	2			
	2285997	Leg Channel Assembly 24"			2	2			
	60" Models Use 2 Different Leg Channel Sizes								
50*	079716-1	Caution Hot Sticker	1	1	1	1	1	1	

\* NOT ILLUSTRATED

#### RECOMMENDED STOCK PARTS



## **NOTES**



## GARLAND PARTS IDENTIFICATION

### Griddles Models G24-24GTHX, G24-36GTHX, G24-48GTHX, G24-60GTHX & G24-72GTHX

ITEM	PART #	DESCRIPTION	MODEL					CRITICAL
			QUANTITY					
			G24-24GTHX	G24-36GTHX	G24-48GTHX	G24-60GTHX	G24-72GTHX	
1	4518923	24" Griddle Assy Reg.	1					
	4518924	24" Griddle Assy Grooved	1					
	4518925	24" Griddle Assy 12" RH	1					
	4518926	24" Griddle Assy 12" LH	1					
	4518931	36" Griddle Assy Reg.		1				
	4518932	36" Griddle Assy Grooved		1				
	4518933	36" Griddle Assy 12" RH		1				
	4518934	36" Griddle Assy 12" LH		1				
	4518935	36" Griddle Assy 24" RH		1				
	4518936	36" Griddle Assy 24" LH		1				
	4518943	48" Griddle Assy Reg.			1			
4518944	60" Griddle Assy Reg.				1			
4518946	72" Griddle Assy Reg.					1		
2	4517190	Bulb Clamp & Shield Assy	2	3	4	5	6	
3	G0134-24-6	24" Flue Back	1		2	1		
	G0134-24-9	24" Flue Back SS	1		2	1		
4	G0134-36-6	36" Flue Back		1		1	2	
	G0134-36-9	36" Flue Back SS		1		1	2	
5	G0104-24-8	24" Main Back	1		2	1		
	G0104-24-9	24" Main Back	1		2	1		
6	G0104-36-8	36" Main Back		2		1	2	
	G0104-36-9	36" Main Back		2		1	2	
7	G0103-24-6	24" Rear Aeration Shield	1		2	1		
8	G0103-36-6	36" Rear Aeration Shield		1		1	2	
9	1014900	Griddle H Burner	2	3	4	5	6	
10	1028002	Air Shutter	2	3	4	5	6	
11	G01476-2	Tee 3/4 NPT			1	1	1	
12	G01738-16	3/4 NPT Pipe X 22 3/4"			2	2	1	
	G01738-20	3/4 NPT Pipe X 10 5/8"			2	2	1	
13	G01963-1	Union 3/4 NPT			1	1	1	
14	G01474-5	90 Deg. Elbow-3/4 NPT	1	1	3	3	3	
15	G01738-16	3/4 NPT Pipe X 22 3/4"	1	1	2	2	2	
16	G0102-1-6	Burner Air Baffle	2	3	4	5	6	
17	4520831	Center Aeration Shield	1	2	2	3	4	
18	G2588-01-82	Main Side Assembly L/H PT	1	1	2	2	2	
	G2588-01-92	Main Side Assembly L/h S.S.	1	1	2	2	2	
	G2588-02-82	Main Side Assembly L/H AZ	1	1	2	2	2	
19	G2588-01-81	Main Side Assembly R/H PT	1	1	2	2	2	
	G2588-01-91	Main Side Assembly R/H S.S.	1	1	2	2	2	
	G2588-02-81	Main Side Assembly R/H AZ	1	1	2	2	2	
20	G099-1-61	Side Aeration Shield R/H	1	1	1	1	1	
21	G099-1-62	Side Aeration Shield L/H	1	1	1	1	1	
22	4518972	Burner Rest 24"	2		4	2		
23	4518970	Burner Rest 36"		2		2	4	
24	4519248	Radiation Shield Assy 24"	1		2	1		
25	4519247	Radiation Shield Assy 36"		1		1	2	
26	G095-024	Manifold Assy 24"	1			2		
27	G095-036	Manifold Assy 36"		1	2	1		
28	4519009	Top Panel 24"	1		2	1		
29	4519008	Top Panel 36"		1		1	2	
30	4519007	Thermostat Panel 24"	1		2	1		

\* NOT ILLUSTRATED

**RECOMMENDED STOCK PARTS**

## GARLAND PARTS IDENTIFICATION

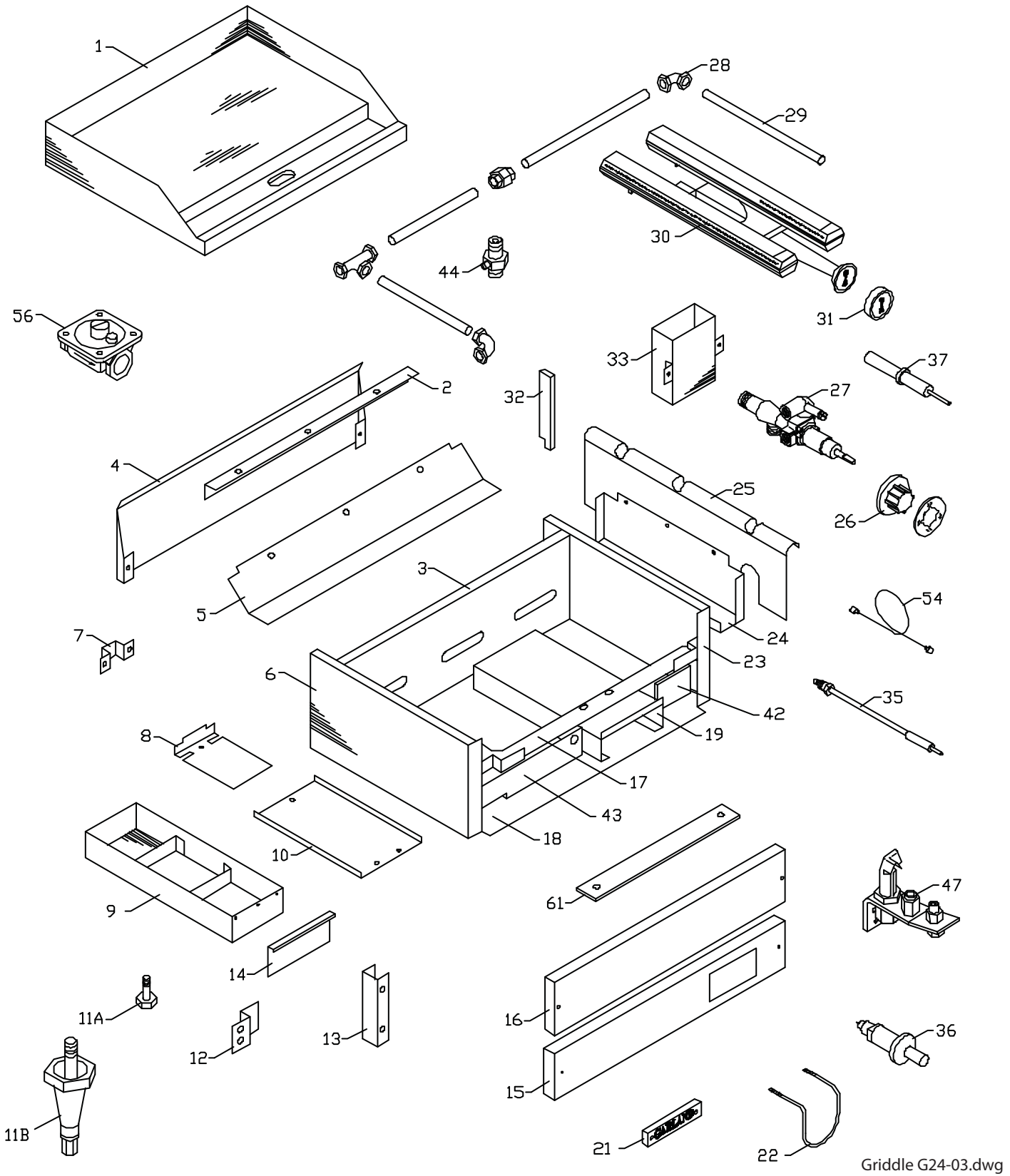
### Griddles Models G24-24GTHX, G24-36GTHX, G24-48GTHX, G24-60GTHX & G24-72GTHX

ITEM	PART #	DESCRIPTION	MODEL					CRITICAL
			QUANTITY					
			G24-24GTHX	G24-36GTHX	G24-48GTHX	G24-60GTHX	G24-72GTHX	
31	4518960	Thermostat Panel 36"		1		1	2	
32	2431900	Orifice Fitting Assembly	2	3	4	5	6	
33	4518957	Orifice Holder (Natural #30)	2	3	4	5	6	
	4518957	Orifice Holder (Propane #51)	2	3	4	5	6	
34	4520720	7/16 Flexible – Tubing Valve – Thermostat	2	3	4	5	6	
35	<b>4518984</b>	<b>On-Off Valve</b>	2	3	4	5	6	
36	076050-26	Elbow Comp. 69-6c.3/8T x 3/8M.	2	3	4	5	6	
37	1089100	Knob	2	3	4	5	6	
38	G0728-1-8P	Therm. Guard-Plated C/W Nuts	2	3	4	5	6	
39A	G02716-1	Dial (Universal) Small Shaft	2	3	4	5	6	
39B	G02725-19	Dial Insert (OFF / 100F / 450F)	2	3	4	5	6	
	G02725-11	Dial Insert (OFF / 40F / 250F)	2	3	4	5	6	
40	<b>4518985</b>	<b>GS Thermostat</b>	2	3	4	5	6	C
41	G02352-1	Elbow 3/8 NPT To 7/16CC 69-7C	2	3	4	5	6	
42	4520721	3/8 Flexible – Tubing Thermostat – Orifice	2	3	4	5	6	
43	3077101	Garland Nameplate 4 7/8" Small	1	1	1	1	1	
44	<b>G0554-1</b>	<b>3C-2 Pilot Natural</b>	2	3	4	5	6	C
	<b>G0554-2</b>	<b>3C-2 Pilot Propane</b>	2	3	4	5	6	C
45	4518969	Grease Tray Cover	1	1	2	2	2	
46	4518967	Grease Pan Assy	1	1	2	2	2	
47	4518968	Grease Pan Handle	1	1	2	2	2	
48A	F157	Leveling Bolt – 3/8 -16x 1 1/16"	4	4	8	8	8	
48B	078109-2	4" Adjustable Metal Leg	4	4	8	8	8	
49	G01738-14	Nipple 3/4 NPT X 2"			2	2	2	
50	<b>2127502</b>	<b>Gas Regulator Natural 4"</b>	1	1	1	1	1	C
	<b>2127500</b>	<b>Gas Regulator Propane 10"</b>	1	1	1	1	1	C
51	4518983	Grease Chute Assy	1	1	2	2	2	
52	G0312-1-9	Banking Plate	1	1	2	2	2	
53	G6809	Gum Valve 1/4"	2	3	4	5	6	
54	2285995	Leg Channel Assembly 36"		2			4	
55	2285997	Leg Channel Assembly 24"	2		4			
56	2285995	Leg Channel Assembly 36"				2		
	2285997	Leg Channel Assembly 24"				2		
60" Models Use 2 Different Leg Channel Sizes								
57*	1822602	Label ON/OFF – W/English & French	1	1	1	1	1	
58*	079716-1	Caution Hot Sticker	1	1	1	1	1	

\* NOT ILLUSTRATED

#### **RECOMMENDED STOCK PARTS**

## **NOTES**



Griddle G24-03.dwg

## GARLAND PARTS IDENTIFICATION

### Griddles Flame Failure Series Models G24-24GFSD AND G24-36GFSD

ITEM	PART #	DESCRIPTION	MODEL		CRITICAL
			QUANTITY		
			G24-24GFSD	G24-36GFSD	
1	G0567-024-8	Griddle Assembly	1		
	2220999	24" Grooved Griddle Assembly	1		
	2220997	24" Grooved Griddle Assembly	1		
	2220998	24" Grooved Griddle Assembly	1		
	G0567-036-8	Griddle Assembly		1	
	2220799	36" Grooved Griddle Assembly		1	
	2220797	36" Grooved Griddle Assembly		1	
	2220798	36" Grooved Griddle Assembly		1	
2	4518972	Burner Rest	1		
	4518970	Burner Rest		1	
3	G0104-24-8	Main Back	1		
	G0104-24-9	Main Back	1		
	G0104-36-8	Main Back		1	
	G0104-36-9	Main Back		1	
4	G0134-24-6	Flue Back	1		
	G0134-24-9	Flue Back	1		
	G0134-36-6	Flue Back		1	
	G0134-36-9	Flue Back		1	
5	G0103-24-6	Rear Aeration Shield	1		
	G0103-36-6	Rear Aeration Shield		1	
6	G2588-01-82	Main Side Assembly L/H	1	1	
	G2588-01-92	Main Side Assembly L/H	1	1	
7	G0312-1-9	Banking Plate	1	1	
8	G0102-1-6	Burner Air Baffle	2	3	
9	G2176-01-8	Grease Pan Assembly	1	1	
10	G0101-1-6	Centre Aeration Shield	1	2	
11A	F157	Leveling Bolt-3/8-16x1 1/16"	4	4	
11B	078109-2	4" Adjustable Metal Leg	4	4	
12	G2227-2-7	Bracket	2	2	
13	G0486-1-7	Lower Front Panel Support	2	2	
14	G2175-1-9	Grease Pan Front	1	1	
15	1493000	Lower Front Panel 24"	1		
	2031600	Lower Front Panel 36"		1	
16	2171900	Upper Front Panel 24"	1		
	2172000	Upper Front Panel 36"		1	
17	2020699	Manifold Assembly G24-24G Up to Serial # 9602CG147R	1		
	G095-024	Manifold Assembly From Serial # 9602CG148R	1		
	2020698	Manifold Assembly G24-36G Up to Serial # 9602CG147R		1	
	G095-036	Manifold Assembly From Serial # 9602CG148R		1	
18	G091-24-7	Main Bottom	1		
	G091-36-7	Main Bottom		1	
19	G7474-1-7	Cover (Grease Tray)	1	1	
20*	G1555-6	Blank I.D Plate	2	3	
21	3077101	Garland Nameplate 4 7/8"	1	1	
22	G0728-1-8P	Therm. Guard-Plated C/W Nuts	2	3	
23	G2588-01-81	Main Side Assembly R/H	1	1	
	G2588-01-91	Main Side Assembly R/H	1	1	

\* NOT ILLUSTRATED

#### **RECOMMENDED STOCK PARTS**

## GARLAND PARTS IDENTIFICATION

### Griddles Flame Failure Series Models G24-24GFSD AND G24-36GFSD

ITEM	PART #	DESCRIPTION	MODEL		CRITICAL
			QUANTITY		
			G24-24GFSD	G24-36GFSD	
24	G099-1-61	Side Aeration Shield R/H	1	1	
	G099-1-62	Side Aeration Shield L/H	1	1	
25	2171700	Front Radiation Shield 24" Up to Serial # 9602CG147R	1		
	2544500	Front Rad Shield From Serial # 9602CG148R	1		
	2171800	Front Radiation Shield 36" Up to Serial # 9602CG147R		1	
	2544400	Front Rad Shield From Serial # 9602CG148R		1	
26	<b>G02716-2</b>	<b>Dial - (Universal) Medium Shaft Up to Serial # 9602CG147R</b>	2	3	C
	<b>G02725-33</b>	<b>Dia Inert (OFF/MAX/MIN) Up to Serial # 9602CG147R</b>	2	3	C
	<b>G02716-4</b>	<b>Dial From Serial # 9602CG148R</b>	2	3	C
	<b>G02725-35</b>	<b>Dial Insert From Serial # 9602CG148R</b>	2	3	C
27	2043500	Flame Failure Valve Natural Up to Serial # 9602CG147R	2	3	
	2043501	Flame Failure Valve Propane Up to Serial # 9602CG147R	2	3	
	2200194	Flame Failure Valve From Serial # 9602CG148R	2	3	
28	G01474-5	90 Deg. Elbow - 3.4 NPT Manufactured	1	1	
29	G01738-16	3/4 NPT Pipe X 22 3/4"	1	1	
30	1014900	Griddle H Burner	2	3	
31	1028002	Air Shutter	2	3	
32	G2402-3-5	Top Support Prop	1	1	
33	G2539-04-6	Grease Chute Assembly	1	1	
34*	2155202	M8 x 1 Brass Nut	4	6	
35	<b>2200600</b>	<b>18" Thermocouple From Serial # 9602CG148R</b>	2	3	C
	<b>2155200</b>	<b>16" Thernocouple Up to Serial # 9602CG147R</b>	2	3	C
36	1309201	Piezo Igniter #1244-41	2	3	
37	2144101	Spark Electrode Up to Serial # 9602CG147R	2	3	
	2200708	Electrode From Serial # 9602CG148R	2	3	
38*	076029-172	Nipple 1/8" NPT x 2.5"	2	3	
40*	076029-66	1/8 N.P.T. Pipe Coupling Brass	2	3	
41*	G01917-1	Elbow 1/8NPT STR. Brass 115-A	4	6	
42	2171500	Heat Baffle RT Up to Serial # 9602CG147R	1	1	
	2547100	Heat Baffle RT From Serial # 9602CG148R	1	1	

\* NOT ILLUSTRATED

**RECOMMENDED STOCK PARTS**



## GARLAND PARTS IDENTIFICATION

### Griddles Flame Failure Series Models G24-24GFSD AND G24-36GFSD

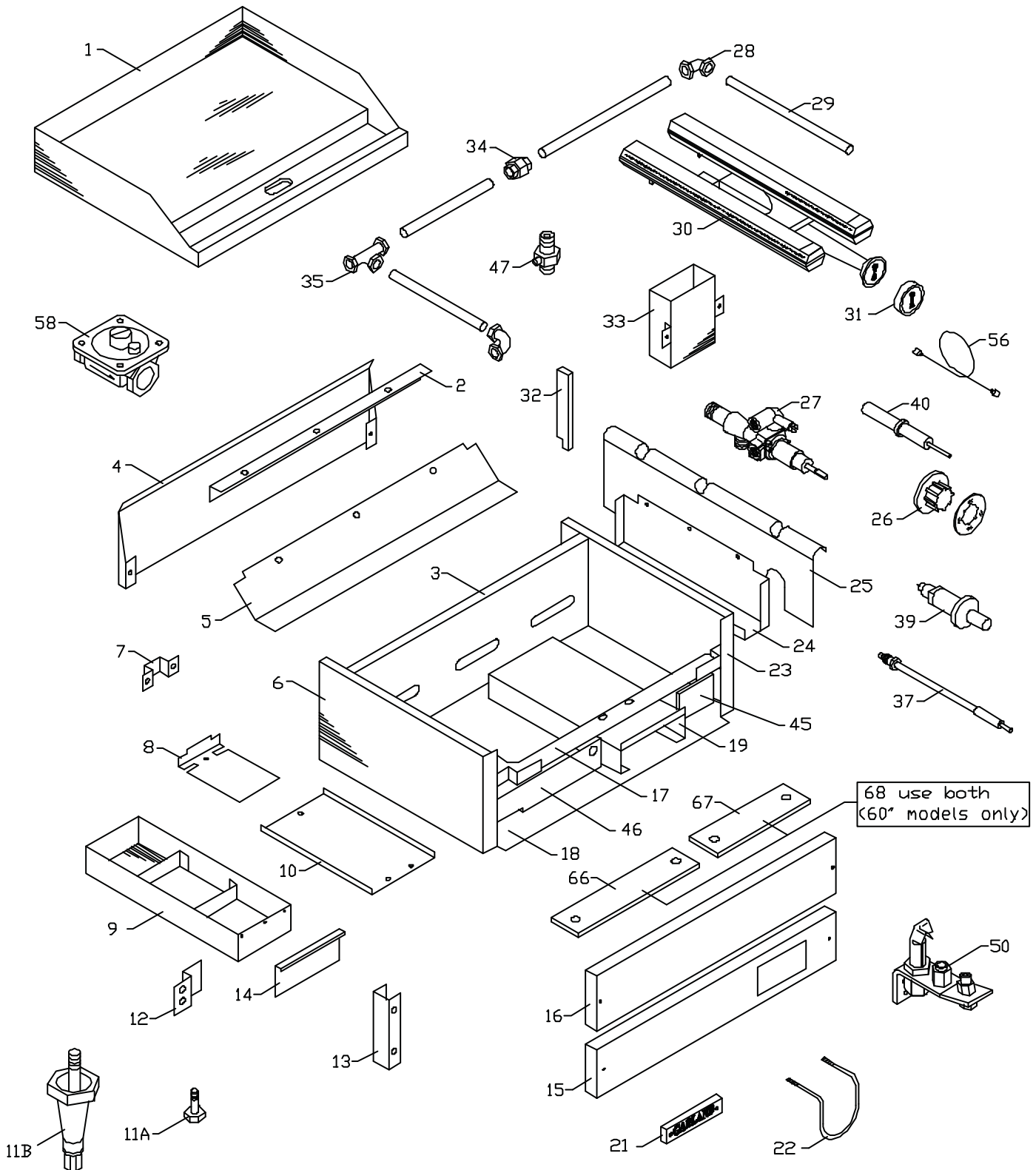
ITEM	PART #	DESCRIPTION	MODEL		CRITICAL
			QUANTITY		
			G24-24GFSD	G24-36GFSD	
43	2171600	Heat Baffle LT (7.750) Up to Serial # 9602CG147R	1		
	2547000	Heat Baffle LT 24" From Serial # 9602CG148R	1		
	2171601	Heat Baffle LT 19.750 Up to Serial # 9602CG147R		1	
	2546900	Heat Baffle LT 36" From Serial # 9602CG148R		1	
44	G02251-1	Pressure Test Spigot	1	1	
45*	21045XX	Orifice Fitting Up to Serial # 9602CG147R	2	3	

#### Parts Listed Below Used From Serial # 9602CG148R

46*	2544600	Pilot Bracket	2	3	
47	2200700	Pilot Right Hand	2	3	
48*	2200702	Pilot Orifice #32 (Natural)	2	3	
	2200703	Pilot Orifice #23 (Propane)	2	3	
	2200709	Pilot Orifice # 40 (Manufactured)	2	3	
49*	2200704	3/16 Compression Nut	2	3	
50*	2200705	Olive 3/16" Ball Sleeve	2	3	
51*	2200706	Nut Thermo Retaining	2	3	
52*	2200707	Nut Electrode	2	3	
54	2200202	24 HT Wire Lead"	2	3	
55*	M8-33	Small Hood Natural	2	3	
	M8-50	Small Hood Propane	2	3	
56	<b>2127502</b>	<b>Gas Regulator Natural 4.5"</b>	1	1	C
	<b>2127500</b>	<b>Gas Regulator Propane 10"</b>	1	1	C
	<b>3018200</b>	<b>Regulator Nat 4.5 (R500FM-66) CE Mark Model Only</b>	1	1	C
	<b>3018201</b>	<b>Regulator Pro 10.0 (R5210-512) CE Mark Model Only</b>	1	1	C
57*	2544300	Orifice Block	2	3	
58*	1086597	3/16 Pilot Adjusting Valve	2	3	
59*	2564000	3/16" Pilot Tubing	2	3	
60*	2564100	1/4" Orifice Tubing	2	3	
61	2285997	Leg Channel Assembly 24"	2		
	2285995	Leg Channel Assembly 36"		2	
62*	079716-1	Caution Hot Sticker	1	1	

\* NOT ILLUSTRATED

#### **RECOMMENDED STOCK PARTS**



## GARLAND PARTS IDENTIFICATION

### Griddles Flame Failure Series Models G24-48GFSD,-60GFSD AND -72GFSD

ITEM	PART #	DESCRIPTION	MODEL			CRITICAL
			QUANTITY			
			G24 -48GFSD	G24 -60GFSD	G24 -72GFSD	
1	G0567-048-8	Griddle Assembly	1			
	2472899	48" Griddle Assembly	1			
	2472898	48" Griddle Assembly	1			
	G0567-060-8	Griddle Assembly		1		
	G0567-072-8	Griddle Assembly			1	
2	4518972	Burner Rest	2	1		
	4518970	Burner Rest		1	2	
3	G0104-24-8	Main Back	2	1		
	G0104-24-9	Main Back	2	1		
	G0104-36-8	Main Back		1	2	
	G0104-36-9	Main Back		1	2	
4	G0134-24-6	Flue Back	2	1		
	G0134-24-9	Flue Back	2	1		
	G0134-36-6	Flue Back		1	2	
	G0134-36-9	Flue Back		1	2	
5	G0103-24-6	Rear Aeration Shield	2	1		
	G0103-36-6	Rear Aeration Shield		1	2	
6	G2588-01-82	Main Side Assembly L/H	1	1	1	
	G2588-01-92	Main Side Assembly L/H	1	1	1	
	G2588-02-82	Main Side Assembly L/H	1	1	1	
7	G0312-1-9	Banking Plate	2	2	2	
8	G0102-1-6	Burner Air Baffle	4	5	6	
9	G2176-01-8	Grease Pan Assembly	2	2	2	
10	G0101-1-6	Centre Aeration Shield	2	3	4	
11A	F157	Leveling Bolt-3/8-16X1 1/16"	8	8	8	
11B	078109-2	4" Adjustable Metal Leg	8	8	8	
12	G2227-2-7	Bracket	4	4	4	
13	G0486-1-7	Lower Front Panel Support	4	4	4	
14	G2175-1-9	Grease Pan Front	2	2	2	
15	1493000	Lower Front Panel 24"	2	1		
	2031600	Lower Front Panel 36"		1	2	
16	2171900	Upper Front Panel 24"	2	1		
	2172000	Upper Front Panel 36"		1	2	
17	2020699	Manifold Assembly G24-24GA Up to Serial # 9602CG147R	2	1		
	G095-024	Manifold Assembly From Serial # 9602CG148R	2	1		
	2020698	Manifold Assembly G24-36GA Up to Serial # 9602CG147R		1	2	
	G095-036	Manifold Assembly From Serial # 9602CG148R		1	2	
18	G091-24-7	Main Bottom	2	1		
	G091-36-7	Main Bottom		1	2	
19	G7474-1-7	Cover (Grease Tray)	2	2	2	
20*	G1555-6	Blank I.D. Plated	4	5	6	
21	3077101	Garland Nameplate 4 3/8"	2	2	2	
22	G0728-1-8P	Therm. Guard-Plated C/W Nut	4	5	6	
23	G2588-01-81	Main Side Assembly R/H	1	1	1	
	G2588-01-91	Main Side Assembly R/H	1	1	1	
	G2588-02-81	Main Side Assembly R/H	1	1	1	
24	G099-1-61	Side Aeration Shield R/H	2	2	2	
	G099-1-62	Side Aeration Shield L/H	2	2	2	

\* NOT ILLUSTRATED

#### **RECOMMENDED STOCK PARTS**

## GARLAND PARTS IDENTIFICATION

### Griddles Flame Failure Series Models G24-48GFSD,-60GFSD AND -72GFSD

ITEM	PART #	DESCRIPTION	MODEL			CRITICAL
			QUANTITY			
			G24 -48GFSD	G24 -60GFSD	G24 -72GFSD	
25	2171700	Front Radiation Shield 24" Up to Serial # 9602CG147R	2	1		
	2544500	Front Rad Shield From Serial # 9602CG148R	2	1		
	2171800	Front Radiation Shield 36" Up to Serial # 9602CG147R		1	2	
	2544400	Front Rad Shield From Serial # 9602CG148R		1	2	
26	<b>G02716-2</b>	<b>Dial - (Universal) Medium Shaft Up to Serial # 9602CG147R</b>	4	5	6	C
	<b>G02725-33</b>	<b>Dial Insert (OFF/MAX/MIN) Up to Serial # 9602CG147R</b>	4	5	6	C
	<b>G02716-4</b>	<b>Dial From Serial # 9602CG148R</b>	4	5	6	C
	<b>G02725-35</b>	<b>Dial Insert From Serial # 9602CG148R</b>	4	5	6	C
27	2043500	Flame Failure Valve Natural Up to Serial # 9602CG147R	4	5	6	
	2043501	Flame Failure Valve Propane Up to Serial # 9602CG147R	4	5	6	
	2200194	Flame Failure Valve From Serial # 9602CG148R	4	5	6	
28	G01474-5	90 Deg. Elbow - 3/4 NPT Manufactured	3	3	3	
29	G01738-16	3/4 NPT Pipe X 22 3/4"	2	2	3	
	G01738-20	3/4NPT X10 5/8" Manifold Pipe"	2	2	1	
30	<b>1014900</b>	<b>Griddle H Burner</b>	4	5	6	C
31	<b>1028002</b>	<b>Air Shutter</b>	4	5	6	C
32	G2402-3-5	Top Support Prop	2	2	2	
33	G2539-04-6	Grease Chute Assembly	2	2	2	
34	G01963-1	Union 3/4 NPT (1026905)	1	1	1	
35	G03716-1	1"x.75"x.75" Reducing Tee	1	1	1	
36*	G0623-1-7	Griddle Support Strip	1	1	1	
37	<b>2200600</b>	<b>18" Thermocouple From Serial # 9602CG148R</b>	4	5	6	C
	<b>2155200</b>	<b>16" Thermocouple Up to Serial # 9602CG147R</b>	4	4	6	C
38*	2155202	M8 x 1 Brass Nut Up to Serial # 9602CG147R	8	10	12	
39	1309201	Piezo Igniter #1244-41	4	5	6	
40	2144101	Spark Electrode Up to Serial # 9602CG147R	4	5	6	
	2200708	Electrode From Serial # 9602CG148R	4	5	6	
41*	076029-172	Nipple 1/8 NPT X 2.5"	4	5	6	
42*	076029-44	Elbow 1/8 NPT x 90 Deg. D100A	4	5	6	
43*	076029-66	1/8 N.P.T. Pipe Coupling Brass	4	5	6	
44*	G01917-1	Elbow 1/8" NPT STR. Brass 115-A	9	11	13	
45	2171500	Heat Baffle RT Up to Serial # 9602CG147R	2	2	2	
	2547100	Heat Baffle RT From Serial # 9602CG148R	2	2	2	

\* NOT ILLUSTRATED

#### **RECOMMENDED STOCK PARTS**

## GARLAND PARTS IDENTIFICATION

### Griddles Flame Failure Series Models G24-48GFSD,-60GFSD AND -72GFSD

ITEM	PART #	DESCRIPTION	MODEL			CRITICAL
			QUANTITY			
			G24 -48GFSD	G24 -60GFSD	G24 -72GFSD	
46	2171600	Heat Baffle LT (7.750) Up to Serial # 9602CG147R	2	1		
	2547000	Heat Baffle LT 24" From Serial # 9602CG148R	2	1		
	2171601	Heat Baffle LT 19.750 Up to Serial # 9602CG147R		1	2	
	2546900	Heat Baffle LT 36" From Serial # 9602CG148R		1	2	
47	G02251-1	Pressure Test Spigot	2	2	2	
48*	21045XX	Orifice Fitting Up to Serial # 9602CG147R	4	5	6	

#### Parts Listed Below Used From Serial # 9602CG148R

49*	2544600	Pilot Bracket	4	5	6	
50	2200700	Pilot Right Hand	4	5	6	
51*	2200702	Pilot Orifice #32 (Natural)	4	5	6	
	2200703	Pilot Orifice #23 (Propane)	4	5	6	
	2200709	Pilot Orifice # 40 (Manufactured)	4	5	6	
52*	2200704	3/16" Compression Nut	4	5	6	
53*	2200705	Olive 3/16" Ball Sleeve	4	5	6	
54*	2200706	Nut Thermo Retaining	4	5	6	
55*	2200707	Nut Electrode	4	5	6	
56	2200202	24" HT Wire Lead	4	5	6	
57*	M8-33	Small Hood Natural	4	5	6	
	M8-50	Small Hood Propane	4	5	6	
58	<b>2127502</b>	<b>Gas Regulator Natural 4.5"</b>	1	1	1	C
	<b>2127500</b>	<b>Gas Regulator Propane 10"</b>	1	1	1	C
	<b>3018200</b>	<b>Regulator Nat 4.5 (R500FM-66) CE Mark Model Only</b>				C
	<b>3018201</b>	<b>Regulator Pro 10.0 (R5210-512) CE Mark Model Only</b>				C
59*	2544300	Orifice Block	4	5	6	
60*	1086597	3/16 Pilot Adjusting Valve	4	5	6	
61*	2564000	3/16" Pilot Tubing	4	5	6	
62*	2564100	1/4" Orifice Tubing	4	5	6	
63*	G01476-2	Tee 3/4 NPT	1	1	1	
64*	G01738-14	Nipple 3/4 NPT X 2"	2	2	2	
65*	2437100	1"- 3/4" Reducing Adaptor	1	1	1	
66	2285995	Leg Channel Assembly 36"			4	
67	2285997	Leg Channel Assembly 24"	4			
68	2285995	Leg Channel Assembly 36"		2		
	2285997	Leg Channel Assembly 24"		2		
	60" Models Use 2 Different Leg Channel Sizes					
69*	079716-1	Caution Hot Sticker	1	1	1	

\* NOT ILLUSTRATED

#### **RECOMMENDED STOCK PARTS**

# SERVICE BULLETIN #01-BI-2010-S

Page 1 of 2

**From: Garland Parts and Service Department**  
**To: All Distributors & Authorized Service Agencies**

**Date: May 11, 2010**

**Models: Garland, G24 series GTH Griddles.**

**Subject: Field Service Kit for UN Thermostat Part # 3072900.**

Garland has developed field service conversion kits for models G24-xx-GTH utilizing the thermostat part # 3072900, which is no longer available (NLA). This UN thermostat was used in production units from serial # 9805CG191R to the end of their production approximately June / 2006. A new model was introduced at that time, G24-xx-GTHX utilizing a different thermostat.

The field service kits part # 4527847 (G24GTH 24" UN SERV. KIT) and # 4527848 (G24GTH 36" UN SERV. KIT). Utilize BJ thermostats in the Service Kit. Note that there is more than one thermostat per kit, the attached list shows all included parts in these kits. These kits are designed to update either a 24" section or a 36" section of unit. If a thermostat becomes defective, these kits will provide you with the necessary parts to replace thermostats per section. See chart below for sections per model.

Service Kits required by Model:

Models	Quantity of Thermostat per Unit	Kit Part # Require	Quantity of Kits Required	Section per Model
G24-24GTH	24" (610mm) Griddle	4527847	1	One 24" Section
	2 Thermostats			
G24-36GTH	36" (914mm) Griddle	4527848	1	One 36" Section
	3 Thermostats			
G24-48GTH	48" (1219mm) Griddle	4527847	2	Two 24" Section
	4 Thermostats			
G24-60GTH	60" (1524mm) Griddle	4527847	1	One 24" Section
	5 Thermostats	4527848	1	One 36" Section
G24-72GTH	72" (1829mm) Griddle	4527848	2	Two 36" Section
	6 Thermostats			

**Note:** There may be some different characteristics in the cooking performance of griddle once converted. It is possible to replace only the one section of the unit with failed Thermostat(s). **Garland does recommend converting the complete unit.**

The Kits come complete with installation instructions. Please contact the Garland Parts Department for pricing.

**A:US C:Canada B:Canada/US I:International S: Service P: Parts W: Warranty G: General**

**Ph: 001-905-624-0260 www.garland-group.com Fax: 001-905-361-7745**

## **Field Service Kit Parts List:**

Note: There are two service kits. One contains parts to reconfigure a 24” section the other to reconfigure a 36” section of thermostatic griddle.

<b>Part No.</b>	<b>Part Description</b>	<b>24” KIT QTY. ( P/N 4527847)</b>	<b>36” KIT QTY. (P/N 4527848)</b>
4527844	G24GTH UN SERVICE KIT INSTRUCTIONS	1	1
2203400	CNT.SUNK STL.HEX PLUG 1/8INNPT	2	3
076050-26	ELBOW COMP. 69-6C.3/8T X 3/8M	2	3
4518957	ORIFICE HOLDER	2	3
2431900	ORIFICE FITTING ASSEMBLY	2	3
4527841	NIPPLE 1/8NPT X 3	2	3
4527842	TEE 1/8NPT	2	3
G03674-3	VALVE - PILOT 1/4IN ANGLE 90DEG	2	3
1360200	BJ THERMOSTAT	2	3
2527700	ADAPTOR KNOB(P40-029)	2	3
4527845	LOWER PANEL 24”	1	
4527846	LOWER PANEL 36”		1
4527843	PILOT TUBE G24GTH	2	3
M124	¼ TUBE FERULE	2	3
M125	¼ COMPRESSION NUT	2	3
4523409	3/8 FLEX TUBING 10in	2	3
F32	SELF TAP SCREW-10-24X1/2IN PAN HEAD	4	6
3043100	KNOB HANDLE	2	3
2225200	DIAL INSERT THERM. GRIDDLE (DEGREES F)	2	3
3043204	HUB	2	3
3043300	SPRING	2	3
F561	10-32 - 3/16 SOCKET HEAD SCREW	2	3
F95	NUT-1/4-20 PAL	8	12
M8-32	SMALL ORIFICE 32 SIZE NAT GAS	2	3
M8-53	SMALL ORIFICE 53 SIZE PRO GAS	2	3



## GARLAND PARTS IDENTIFICATION

### Revision History

REV. #	PAGE #	ITEM #	NOTE	DATE
2	15	27	Thermostat Serial # Added	July 15/03
3	18	37	Drawing Revised, Item Misabeled, Was 53	Jun 03/04
	21		Item 53 Deleted Duplicated of 37	
	22	27, 40	Drawing Revised Items Misabeled Was 61, 56	
	24	40	Item Misabeled Was 37	
4			Entire Book Reformatted	Mar 10/05
	18		New Griddle Model Added	
5	12	27	Thermostat Serial # Added	Mar 14/05
6	4, 6, 10, 14, 18, 22, 36		New Drawing	May 10/05
	5	36	New Part Number Added - Leg Channel Assembly For Reinforced Leg Support	
	8	52		
	12	41		
	16	47, 48, 49		
	20	53, 54, 55		
	25	61		
29	66, 67, 68			
7	18		New Drawing	May 30/05
	20	53	New Part # Added	
			Item # 53 Changed to 54/ Item #54 Changed to 55	
			56 New Item #	
8	3		More Contents Details Added	Aug 25/05
9	11,15 23, 27	2	Part # G098-24-8 Replaced by 4518972 Part # G098-36-8 Replaced by 4518970	Nov 11/05
	18	39B	New Drawing	
	19	17	Part Number Changed – Was G0101-1-6	
	20	34	Part Number & Description Changed – Was 4518974	
		39	Item 39 Split Into 39A & 39B	
		42	Part Number & Description Changed – Was 4518977	
		39B 57*	New Part Numbers Added	
10	5,7,11 15,23,27	13,16,22 22,21,21	Part # 1902919 Replaced By 3077101	Sep 12/06
	4,5 10,11 14,15	12A	Description Changed – Item # Changed was 12	
		12B	New Part Number Added	
	6,7	15A	Description Changed – Item # Changed was 15	
		15B	New Part Number Added	
	18,20	48A	Description Changed – Item # Changed was 48	
		48B	New Part Number Added	
	22,23 26,27	11A	Description Changed – Item # Changed was 11	
		11B	New Part Number Added	
	8,23,25,29	49,3,54,56	Asterisk Deleted	
	8	47	Asterisk Added	
	25	53	Part # Deleted	
11	Entire Book		Critical Column Added	Mar 17/08
	5, 8, 12	37, 53, 42	Part Number Added	
	16, 20, 25, 29	50, 58, 62, 69		
13	12,16	27	Description changed on part number 3072900, note added New part numbers added - 4527847 & 4527848	Oct 12/10
		31	Part number changed - was G0105-00	
	12,16	30	Part number changed - was G01494-8 (1/4 Aluminum Tubing x 11.000")	
	30		Service Bulletin added	



