



***GARLAND MODEL  
680's USA MODEL***

**PARTS LIST**

Toll Free Phone, (US & Canada): (800) 427-6668

Toll Free Fax, (US & Canada): (800) 361-7745

<http://www.garland-group.com>



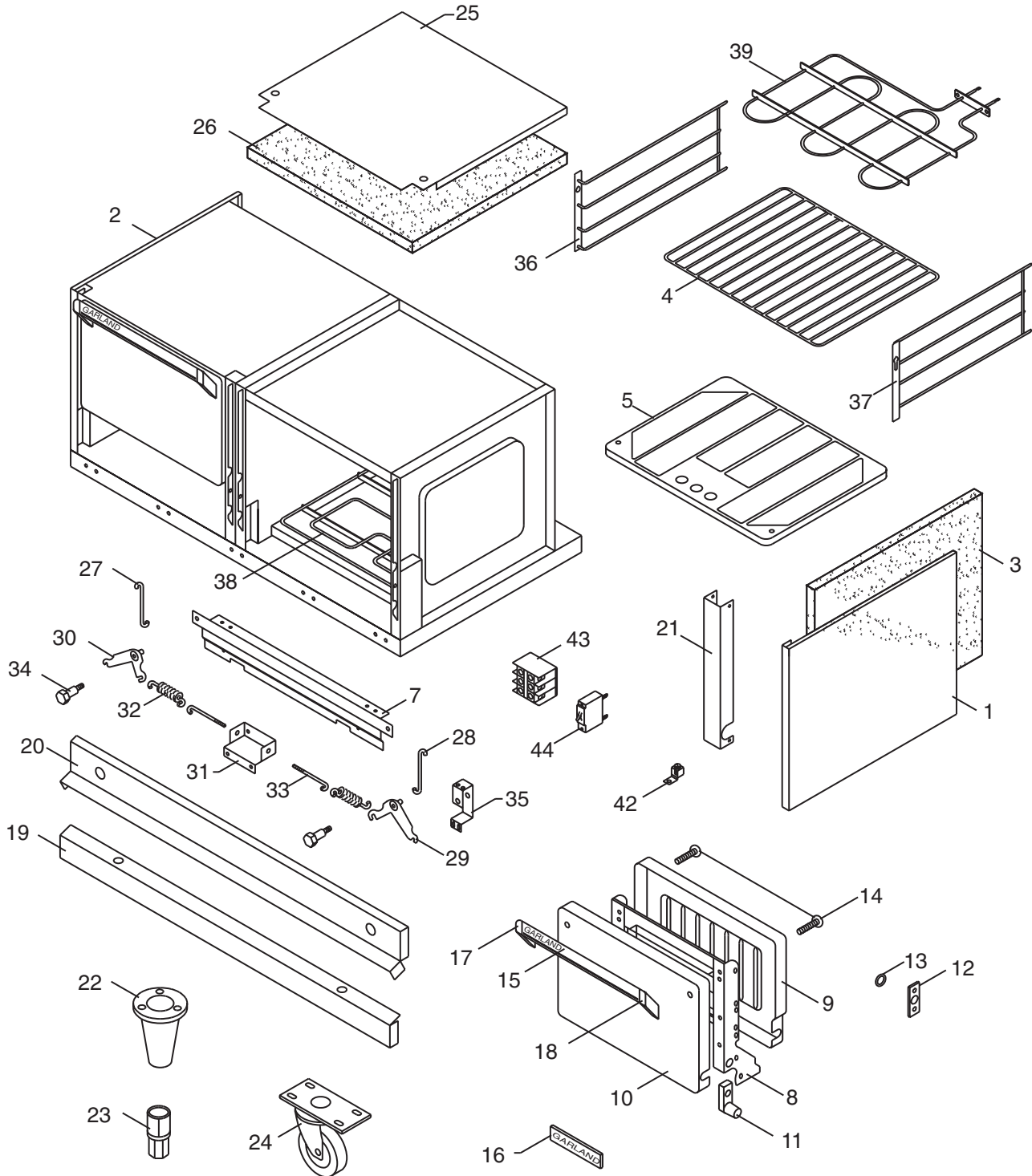


***GARLAND MODEL  
680's USA MODEL***

***Contents:***

Restaurant Range Oven Section Models 680-2, 684 And 686..... Page 4  
Restaurant Range Surface Plate Sections - Models 684 And 686..... Page 8  
Revision History ..... Page 11

USA MODEL



Oven Section US.dwg  
 Rev 0

## GARLAND PARTS IDENTIFICATION

### Restaurant Range Oven Section Models 680-2, 684 And 686

| ITEM | PART #      | DESCRIPTION                    | MODEL    |     |     | DATE      |           |
|------|-------------|--------------------------------|----------|-----|-----|-----------|-----------|
|      |             |                                | QUANTITY |     |     | FROM      | UP TO     |
|      |             |                                | 680-2    | 684 | 686 |           |           |
| 1    | 1081113     | Body Side R/H SS G280          | 2        | 1   |     |           |           |
|      | 1081104     | Body Side R/H S/S              |          |     | 1   |           |           |
| 2    | 1081108     | Body Side L/H SS G280          | 2        | 1   |     |           |           |
|      | 1081109     | Body Side L/H S/S              |          |     | 1   |           |           |
| 3    | 1472200     | Side Insulation G280           |          |     |     |           |           |
|      | 2301200     | Oven Rack Assembly H280        | 2        | 2   | 1   |           |           |
|      | 2117000     | Oven Rack Chrome               |          |     |     |           |           |
| 5    | 1438499     | Oven Bottom - S680 Sunfire     | 2        | 2   | 1   |           |           |
| 6*   | G01091-01-6 | Oven Flue Riser Assembly       | 2        | 2   | 1   |           |           |
|      | 1081799     | Flue Box Assembly H280-2       | 1        |     |     |           |           |
| 7    | 1528800     | Front Frame Lower Support      | 2        | 2   | 1   |           |           |
| 8    | G03984-03-8 | Oven Door Insert Assembly      | 2        | 2   | 1   |           |           |
| 9    | 1439796     | Oven Door Lining Enamelled     | 2        | 2   | 1   |           |           |
| 10   | 1080714     | Oven Door Panel - SS           | 2        | 2   | 1   |           |           |
|      | 1080723     | Oven Door Panel                | 1        | 1   | 1   |           |           |
| 11   | 1082500     | Oven Door Trunion              | 4        | 4   | 2   |           |           |
| 12   | 1083001     | Trunion Support                | 4        | 4   | 2   |           |           |
| 13   | 1082700     | Harness Ring 7GA. #0911N070800 | 4        | 4   | 2   |           |           |
| 14   | 1594300     | 1/-20X1 1/ HEX WSH RLL SCRW    |          |     |     |           |           |
| 15   | 1589100     | Extruded Handle Bar 24 3/8"    | 2        | 2   | 1   |           |           |
|      | 1592000     | Handle Overlay 24 3/8"x1 21/64 | 2        | 2   | 1   |           |           |
| 16   | 1902918     | Nameplate - GARLAND 7 3/4      | 1        | 1   | 1   |           |           |
| 17   | 9003701     | Handle L/H                     | 2        | 2   | 1   |           |           |
| 18   | 9003700     | Handle R/H                     | 2        | 2   | 1   |           |           |
| 19   | 1347111     | Kick Panel Lower - 30"         | 2        |     | 1   |           |           |
|      | 1347113     | Kick Panel Lower               |          | 1   |     |           |           |
| 20   | 1347003     | Kick Panel Upper S/S 30"       | 2        |     | 1   |           |           |
|      | 1347007     | Kick Panel Upper 60"           |          | 1   |     |           |           |
| 21   | 1081505     | Centre Column                  |          | 1   |     |           |           |
| 22   | 1027600     | Leg Retainer 6" (Std.)         |          |     |     |           |           |
| 23   | 1150502     | Bullet Legs                    | 4        | 4   | 4   |           |           |
| 24   | 1027800     | Castor W/O Brake - NLA         | 2        | 2   | 2   |           | Dec-10-04 |
|      | 4519432     | Swivel Caster                  | 2        | 2   | 2   | Dec-10-04 |           |
|      | 1027801     | Caster W/Brake - NLA           | 2        | 2   | 2   |           | Dec-10-04 |
|      | 4519433     | Swivel Caster with Break       | 2        | 2   | 2   | Dec-10-04 |           |
| 25*  | 1392200     | Burner Box Bottom H284         |          |     |     |           |           |
|      | 1080915     | Burner Box Bottom H286         |          |     |     |           |           |
| 26   | 1472300     | Insulation 28x23x2 Top         |          |     |     |           |           |
| 27   | 1082802     | Oven Door Hinge Link RT        | 2        | 2   | 1   |           |           |
| 28   | 1082803     | Oven Door Hinge Link LT        | 2        | 2   | 1   |           |           |
| 29   | 1082199     | R/H Bell Crank Assembly        | 2        | 2   | 1   |           |           |
| 30   | 1082198     | L/H Bell Crank Assembly        | 2        | 2   | 1   |           |           |
| 31   | 2301300     | Door Spring Support            | 2        | 2   | 1   |           |           |
| 32   | 1005800     | Door Spring                    | 4        | 4   | 2   |           |           |
| 33   | 9004701     | Oven Door Spring Hook          | 4        | 4   | 2   |           |           |
| 34   | GF299       | 1/4-20 x 1/2 Shoulder Bolt     | 4        | 4   | 2   |           |           |
| 35   | 1386100     | Bell Crank Support             | 4        | 4   | 2   |           |           |

\* NOT ILLUSTRATED

**RECOMMENDED STOCK PARTS**

## GARLAND PARTS IDENTIFICATION

### Restaurant Range Oven Section Models 680-2, 684 And 686

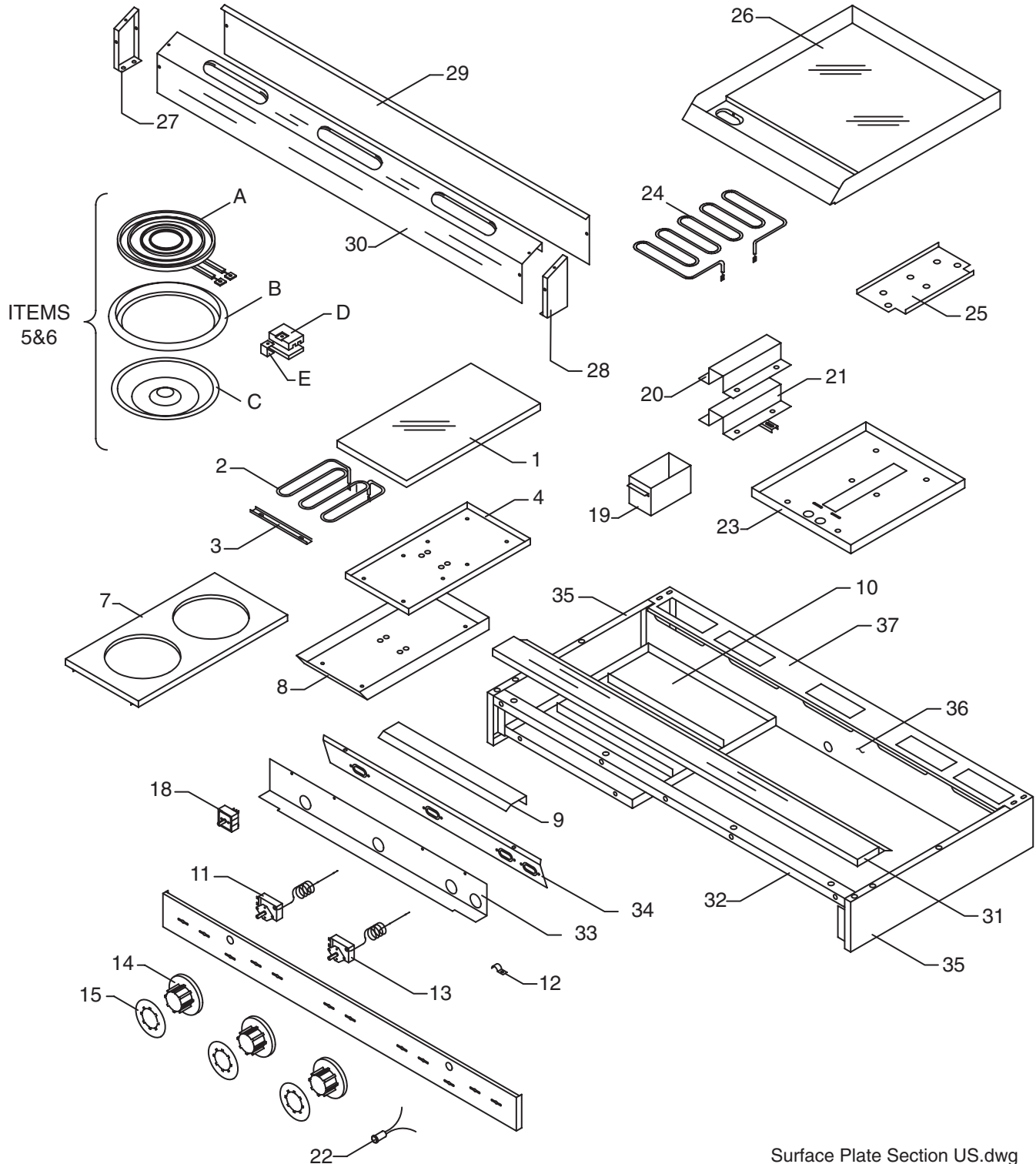
| ITEM | PART #          | DESCRIPTION                                  | MODEL          |     |     | DATE   |        |
|------|-----------------|--|----------------|-----|-----|--------|--------|
|      |                 |  | QUANTITY       |     |     | FROM   | UP TO  |
|      |                 |  | 680-2          | 684 | 686 |        |        |
| 36   | 2297000         | Oven Rack Slide Assy RH - NLA                | 2              | 2   | 1   |        |        |
| 37   | 2297701         | Oven Rack Slide Assy LH - NLA                | 2              | 2   | 1   |        |        |
| 38   | <b>G01042-1</b> | <b>Element Lower 208V, 4.1KW</b>             | 2              | 2   | 1   | 1976   |        |
|      | <b>G01042-2</b> | <b>Element Lower 240V, 4.1KW</b>             | 2              | 2   | 1   | 1976   |        |
|      | <b>G1862A1</b>  | <b>Element Lower Oven 208V</b>               | 2              | 2   | 1   | 1958   | 1975   |
|      | <b>G1862A2</b>  | <b>Element Lower Oven O/S 240V</b>           | 2              | 2   | 1   | 1958   | 1975   |
| 39   | <b>G01043-1</b> | <b>Element Upper 208V,750W</b>               | 2              | 2   | 1   | 1976   |        |
|      | <b>G01043-2</b> | <b>Element Upper 240V,750W</b>               | 2              | 2   | 1   | 1976   |        |
|      | <b>G1863A1</b>  | <b>Element Upper Oven 208V</b>               | 2              | 2   | 1   | 1958   | 1975   |
|      | <b>G1863A2</b>  | <b>Element Upper Oven 240V</b>               | 2              | 2   | 1   | 1958   | 1975   |
| 40*  | 9007100         | Rear RC Element 208 VOLT                     | RC Models Only |     |     |        |        |
|      | 9007103         | Rear RC Element 240 VOLT                     |                |     |     |        |        |
| 41*  | 9007101         | Center RC Element 208 Volt                   | RC Models Only |     |     |        |        |
|      | 9007104         | Center RC Element 240 Volt                   |                |     |     |        |        |
| 42   | G01499-1        | Ground Terminal 105A Large SLU-70            | 1              | 1   | 1   |        |        |
| 43   | 1193900         | Terminal Block 3 Pole                        | 1              | 1   | 1   |        |        |
| 44   | <b>1026203</b>  | <b>Circuit Breaker 1 Pole 40A</b>            | As Required    |     |     | Apr-89 |        |
|      | <b>1103301</b>  | <b>(1) Pole Breaker 40 Amps</b>              | As Required    |     |     |        | Apr-89 |
|      | <b>1026200</b>  | <b>Circuit Breaker 3 Pole 50A 680-2 Only</b> | As Required    |     |     |        |        |
|      | 1130104         | Fuse Holder                                  | As Required    |     |     |        |        |
|      | 1130105         | Fuse 30Amp                                   | As Required    |     |     |        |        |
| 45*  | 1019600         | Door Micro Switch                            |                |     |     |        |        |
|      | 1358900         | Power Switch /ON/OFF/ON                      |                |     |     |        |        |
|      | 1358901         | Switch Rocker ON/ON TB201-TB-B               |                |     |     |        |        |

\* NOT ILLUSTRATED

**RECOMMENDED STOCK PARTS**

# ***NOTES***

### USA MODELS



Surface Plate Section US.dwg  
REV.0



**GARLAND PARTS IDENTIFICATION**  
**Restaurant Range Surface Plate Sections - Models 684 And 686**

| ITEM | PART #           | DESCRIPTION  | MODEL    |     |                           |                    |   |   |                               |
|------|------------------|--|----------|-----|---------------------------|--------------------|---|---|-------------------------------|
|      |                  |  | QUANTITY |     |                           |                    |   |   |                               |
|      |                  |  | 684      | 686 | HOT/TOP<br>PER<br>SECTION | GRIDDLE<br>SECTION |   |   | 12" OPEN<br>TOPS /<br>SECTION |
| 12"  | 24"              | 36"  |          |     |                           |                    |   |   |                               |
| 1    | 1102298          | Hot Top Assembly 680 Series  |          |     | 1                         |                    |   |   |                               |
| 2    | 1102103          | Hot Top Element 208  |          |     | 2                         |                    |   |   |                               |
| 4    | 1102104          | Hot Top Element 240  |          |     | 2                         |                    |   |   |                               |
| 3    | 1102306          | Hot Top Element Clamp  |          |     | 4                         |                    |   |   |                               |
|      | 1102305          | Hot Top Element Baffle LT/RT                                       |          |     | 1                         |                    |   |   |                               |
| 5A   | <b>2195000</b>   | <b>8" Surface Element 208V (2.1Kw)</b>                             |          |     |                           |                    |   |   | 1                             |
|      | <b>2195001</b>   | <b>8" Surface Element 240V (2.1Kw)</b>                             |          |     |                           |                    |   |   | 1                             |
| 5B   | 2602399          | 8" Ring Assembly   |          |     |                           |                    |   |   | 1                             |
| 5C   | 2195300          | 8" Pan Reflector   |          |     |                           |                    |   |   | 1                             |
| 5D   | 2195700          | Split Terminal Block (Small)                                       |          |     |                           |                    |   |   | 1                             |
| 5E   | 2627700          | Terminal Block Clip  |          |     |                           |                    |   |   | 1                             |
| 6A   | <b>2195100</b>   | <b>6 1/2" Surface Element 208V</b>                                 |          |     |                           |                    |   |   | 1                             |
|      | <b>2195101</b>   | <b>6 1/2" Surface Element 240V</b>                                 |          |     |                           |                    |   |   | 1                             |
| 6B   | 2602499          | 6 1/2" Ring Assembly"  |          |     |                           |                    |   |   | 1                             |
| 6C   | 2195200          | Reflector Pans 6 1/2"  |          |     |                           |                    |   |   | 1                             |
| 6D   | 2195800          | Split Terminal Block (Small)                                       |          |     |                           |                    |   |   | 1                             |
| 6E   | 2627700          | Terminal Block Clip  |          |     |                           |                    |   |   | 1                             |
| 7    | G0414-1-9        | Insert Top 2 Hole  | 1        | 1   |                           |                    |   |   |                               |
|      | G1865-01-9       | Insert Top Assembly 4 Hole   | 1        | 1   |                           |                    |   |   |                               |
|      | G1864-01-9       | Insert Top Assembly 6 Hole   | 1        | 1   |                           |                    |   |   |                               |
| 8    | 1102301          | Hot Top Element Cover RT   |          |     | 1                         |                    |   |   |                               |
|      | 1102302          | Hot Top Element Cover LT   |          |     | 1                         |                    |   |   |                               |
| 9    | 1685305          | Drip Tray Handle 10 1/8  |          | 1   |                           |                    |   |   |                               |
|      | 1685301          | Drip Tray Handle 23 15/16  | 1        | 1   |                           |                    |   |   |                               |
|      | 1527300          | Drip Tray Handle 30" (Up to Dec. 1998)                             | 2        |     |                           |                    |   |   |                               |
| 10   | 1530400          | Drip Tray 12"  |          | 1   |                           |                    |   |   |                               |
|      | G1890-01-8       | Drip Tray Assembly 2"  | 2        | 1   |                           |                    |   |   |                               |
| 11   | G0893-01         | Griddle Thermostat (From 1974 to Present)                          |          |     |                           | 1                  | 2 | 3 |                               |
|      | 1102703          | Griddle Thermostat<br>Up to Serial #10963 (1958-1973)              |          |     |                           | 1                  | 2 | 3 |                               |
| 12   | GF138            | Capillary Bulb Clamp   | 4        | 2   |                           |                    |   |   |                               |
| 13   | <b>G0894-01</b>  | <b>Oven Thermostat 150F TO 550F</b>                                | 2        | 1   |                           |                    |   |   |                               |
| 14   | <b>G02716-1</b>  | <b>Dial - (Universal) Small Shaft</b>                              | 2        | 1   |                           |                    |   |   |                               |
| 15   | <b>G02725-17</b> | <b>Dial Insert (OFF/150F/550F) Oven F</b>                          | 2        | 1   |                           |                    |   |   |                               |
|      | <b>G02725-</b>   | <b>Dial Insert (OFF/MIN/2-6/MAX)</b>                               |          |     |                           |                    |   |   |                               |
|      | <b>G02725-19</b> | <b>Dial Insert (OFF/100F/450F) Griddle F</b>                       |          |     |                           |                    |   |   |                               |
| 16*  | <b>G0894-02</b>  | <b>Thermostat EA5-18F TO 550F<br/>For 680-2 Only (Bottom Oven)</b> |          |     |                           |                    |   |   |                               |
| 17*  | <b>G0515-1</b>   | <b>RAC Oven Control (1972-1975)</b>                                |          |     |                           |                    |   |   |                               |
| 18   | <b>G03185-2</b>  | <b>Infinite Switch-240 Volt</b>                                    |          |     | 2                         |                    |   |   | 2                             |
| 19   | G01603-01-7      | Grease Chute Assembly  |          |     |                           | 1                  | 1 | 1 |                               |
| 20   | G01849-1-6       | Bulb Channel   |          |     |                           | 1                  | 2 | 3 |                               |
| 21   | G01851-01-6      | Bulb Clamp Assembly  |          |     |                           | 1                  | 2 | 3 |                               |
| 22   | G01296-2         | Pilot Amber  | 2        | 1   |                           | 1                  | 2 | 3 |                               |
|      | G01296-1         | Pilot Red 240V   |          |     |                           |                    |   |   |                               |
| 23   | G03261-1-6       | Element Cover  |          |     |                           | 1                  | 2 | 3 |                               |
| 24   | <b>G01816-1</b>  | <b>Element 208V, 3350 W (From 1983)</b>                            |          |     |                           | 1                  | 2 | 3 |                               |
|      | <b>G01816-2</b>  | <b>Element 240V, 3350 W (From 1983)</b>                            |          |     |                           | 1                  | 2 | 3 |                               |

\* NOT ILLUSTRATED

**RECOMMENDED STOCK PARTS**

**GARLAND PARTS IDENTIFICATION**  
**Restaurant Range Surface Plate Sections - Models 684 And 686**

| ITEM  | PART #         | DESCRIPTION   | MODEL    |     |                           |                    |   |   |                               |
|---|----------------|---|----------|-----|---------------------------|--------------------|---|---|-------------------------------|
|   |                |   | QUANTITY |     |                           |                    |   |   |                               |
|   |                |   | 684      | 686 | HOT/TOP<br>PER<br>SECTION | GRIDDLE<br>SECTION |   |   | 12" OPEN<br>TOPS /<br>SECTION |
|   |                |   | 12"      | 24" | 36"                       |                    |   |   |                               |
| 24<br>Cont                                    | <i>G2679-1</i> | <i>Element 208V, 3.35KW (Used From 1973 - 1983)</i> |          |     |                           |                    |   |   |                               |
|   | <i>G2679-2</i> | <i>Element 240V, 3.35KW (Used From 1973 - 1983)</i> |          |     |                           |                    |   |   |                               |
|   | <i>G1713-2</i> | <i>Griddle Element 208V (Used From 1958 - 1972)</i> |          |     |                           |                    |   |   |                               |
|   | <i>G1713-1</i> | <i>Griddle Element 240V (Used From 1958 - 1972)</i> |          |     |                           |                    |   |   |                               |
| 25  | G01884-1-6     | Element Clamp                                       |          |     |                           | 2                  | 4 | 6 |                               |
| 26  | G03262-012-8   | Griddle Assembly 12 LH 680"                         |          |     |                           | 1                  |   |   |                               |
|   | 2566299        | Griddle Assembly 12 - RH 680"                       |          |     |                           | 1                  |   |   |                               |
|   | G03263-024-8   | Griddle Assembly                                    |          |     |                           |                    | 1 |   |                               |
|   | G0326-036-8    | Griddle Assembly                                    |          |     |                           |                    |   | 1 |                               |
| 27  | G2595-1-92     | Backguard Bracket L/H                               | 1        | 1   |                           |                    |   |   |                               |
| 28  | G2595-1-91     | Backguard Bracket R/H                               | 1        | 1   |                           |                    |   |   |                               |
| 29  | G2597-36-7     | Backguard Back Standard                             |          | 1   |                           |                    |   |   |                               |
|   | G2597-60-7     | Backguard Back Standard                             | 1        |     |                           |                    |   |   |                               |
| 30  | G0399-1-9      | Backguard Front Specify Model & Griddle Side        | 1        |     |                           |                    |   |   |                               |
|   | G0400-1-9      | Backguard Front Specify Model & Griddle Side        |          | 1   |                           |                    |   |   |                               |
| 31  | G0403-36-9     | Front Top   |          | 1   |                           |                    |   |   |                               |
|   | G0405-60-9     | Front Top   | 1        |     |                           |                    |   |   |                               |
| 32  | 1085000        | Front Channel H286                                  |          | 1   |                           |                    |   |   |                               |
|   | 1085100        | Front Channel H284                                  | 1        |     |                           |                    |   |   |                               |
| 33  | 1528900        | Switch Guard 60"                                    | 1        |     |                           |                    |   |   |                               |
|   | 1528901        | Switch Guard 36"                                    |          | 1   |                           |                    |   |   |                               |
| 34  | 1528200        | Heat Baffle Assembly 60"                            | 1        |     |                           |                    |   |   |                               |
|   | 1528201        | Heat Baffle 36"                                     |          | 1   |                           |                    |   |   |                               |
| 35  | G6524-1-9      | Burner Box Side S/S                                 | 2        | 2   |                           |                    |   |   |                               |
| 36  | 1523800        | Burner Box Back 60"                                 | 1        |     |                           |                    |   |   |                               |
|   | 1528700        | Burner Box Back 36"                                 |          | 1   |                           |                    |   |   |                               |
| 37  | G0402-60-7     | Back Top 60"  | 1        |     |                           |                    |   |   |                               |
|   | G0401-36-7     | Back Top 36"  |          | 1   |                           |                    |   |   |                               |
| <b>Parts Kit</b>                              |                |   |          |     |                           |                    |   |   |                               |
|   | CK100-208V     | 8" Surface Element Assembly                         | 1        | 1   |                           |                    |   |   |                               |
|   | CK101-208V     | 6 1/2" Surface Element Assembly                     | 1        | 1   |                           |                    |   |   |                               |
|   | CK100-240V     | 8" Surface Element Assembly                         | 1        | 1   |                           |                    |   |   |                               |
|   | CK101-240V     | 6 1/2" Surface Element Assembly                     | 1        | 1   |                           |                    |   |   |                               |
|   | CK189          | Hot Top Ass'y Right 208V Kit                        |          |     | 1                         |                    |   |   |                               |
|   | CK190          | Hot Top Ass'y Left 208V Kit                         |          |     | 1                         |                    |   |   |                               |
|   | CK194          | Hot Top Ass'y Right 240V Kit                        |          |     | 1                         |                    |   |   |                               |
|   | CK192          | Hot Top Ass'y Left 240V Kit                         |          |     | 1                         |                    |   |   |                               |
| <b>680 Elements From Jan 1984 To Dec 1992</b> |                |   |          |     |                           |                    |   |   |                               |
| A   | 1697101        | 7-1/2 Elem.208V 2100W Sgl.Coil                      |          |     |                           |                    |   |   |                               |
|   | 1697102        | Element 7 1/2 236V                                  |          |     |                           |                    |   |   |                               |
| B   | 1771799        | Adaptor Ring W/Clips S/W                            |          |     |                           |                    |   |   |                               |
| C   | 2195300        | 8 Pan Reflector"                                    |          |     |                           |                    |   |   |                               |
| A   | 1697201        | 5-7/8 Elem.208V 1250W Sgl.Coil                      |          |     |                           |                    |   |   |                               |
|   | 1697202        | 5-7/8 Elem.250V 1250W Sgl.Coil                      |          |     |                           |                    |   |   |                               |
| B   | 1771798        | 6 Ring O/S (1984 To 1993) 680"                      |          |     |                           |                    |   |   |                               |
| C   | 2195200        | Reflector Pans 6 1/2"                               |          |     |                           |                    |   |   |                               |

\* NOT ILLUSTRATED

**RECOMMENDED STOCK PARTS**

## GARLAND PARTS IDENTIFICATION

### Revision History

| REV. # | PAGE # | ITEM # | NOTE  | DATE      |
|--------|--------|--------|---|-----------|
| 2      | 9      | 5D     | New Part Number was 2195800   | July 9/04 |
| 3      | 5      | 24     | New casters introduced - Mounting method and overall height would be the same as the old casters. The only difference is with the diameter of the new wheel. The old casters wheel diameter is (4") new casters is (3.5") in diameter | Feb 2/05  |

 **GARLAND**<sup>®</sup>