



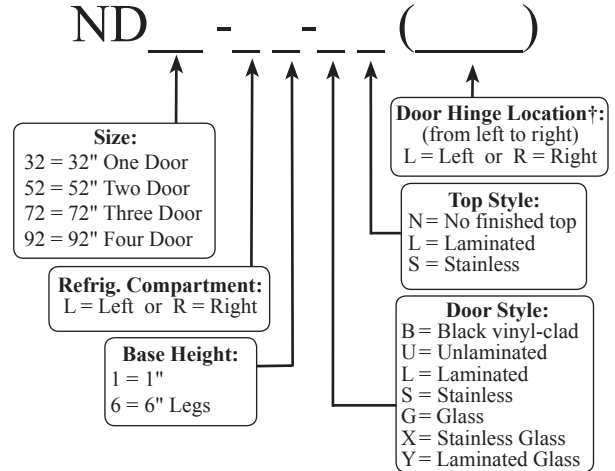
ND72-R1-GS(LRL)



NSF standard 7 listed for open food storage

Project: _____	AIA# _____
Item #: _____ Qty: _____	SIS# _____
Model #: _____	

**Narrow Door Coolers
One, Two, Three and Four Door
Self-Contained**



† Specify hinge location for each door

Standard Features

- Solid door models meet 2008 energy efficiency standards
- Stainless steel die cast handle
- Self-contained
- Automatic condensate evaporator
- All stainless steel interior construction with radius interior corners for easy cleaning
- Leg sockets recessed into base
- CFC free foamed-in-place insulation
- 1/2" thick ABS plastic threshold scuff plate
- Galvanized steel sub-top
- 180° swinging doors
- Black vinyl-clad steel exterior front and sides
- Six foot grounded cord and plug (exits at rear)
- Automatic defrost timer
- Compressor compartment available on left or right side of unit

Specifications

Electrical

- 120V, 1 phase, 60 Hz
- Dedicated 15 amp circuit is required
- Includes a 6 foot grounded cord and plug which exits the back of refrigeration compartment

Refrigeration

- R134a

Operating Range

- 34° F to 40° F

Plumbing

- Automatic condensate evaporator. No drain connection required

Shelving

- Two adjustable coated shelves and one bottom coated rack per door included

Legs

- 1-5/8" diameter
- Stainless steel bullet feet

Materials

- 22 gauge stainless steel parts include: interior floor, walls, ceiling, front of cabinet and evaporator housing
- 22 gauge black vinyl-clad parts include: sides, standard doors, and compressor compartment housing
- 22 gauge galvanized steel parts include: exterior sub-top and back
- 16 gauge stainless steel parts include: legs
- 16 gauge galvanized steel parts include: base and compressor compartment base plate
- 16 gauge zinc plated CR steel parts include: leg sockets
- 12 gauge stainless steel parts include: hinges, hinge brackets, and lock brackets

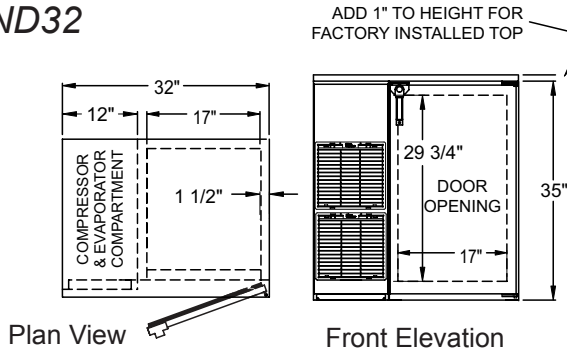
<p>Glastender, Inc. • 5400 N Michigan Rd • Saginaw, MI • 48604-9780 989.752.4275 • 800.748.0423 • Fax 989.752.4444 www.glastender.com</p>	<p>Approval/Notes:</p>
--	------------------------

Specifications subject to change without notice. For current specifications please visit our website.

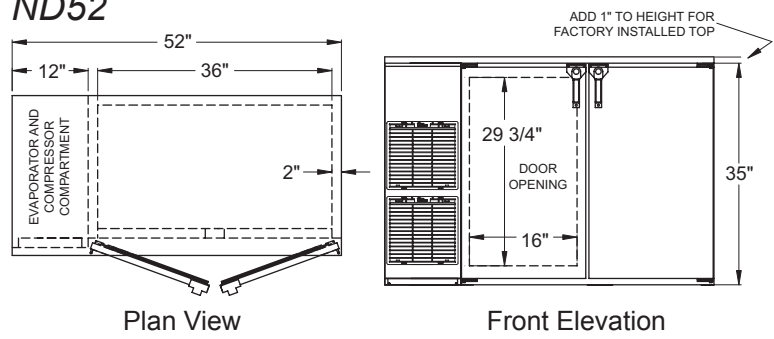
Self-Contained Narrow Door Coolers

Dimensional Information

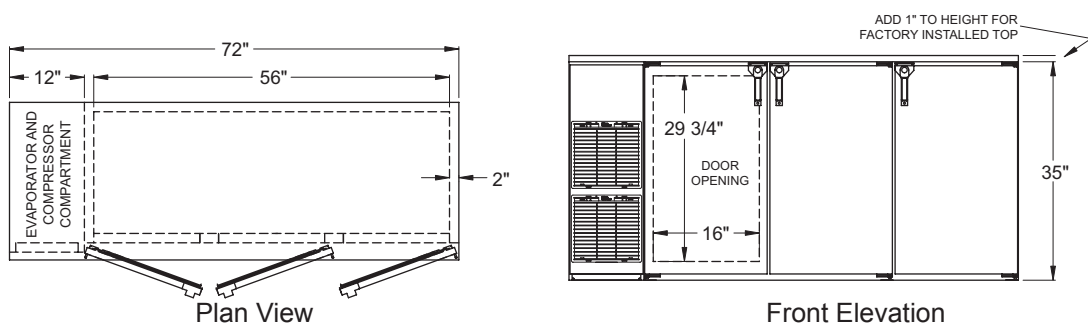
ND32



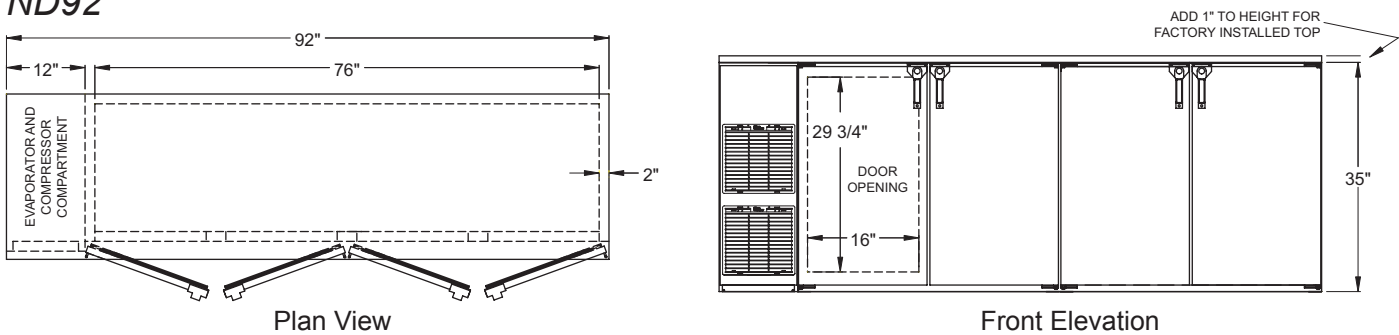
ND52



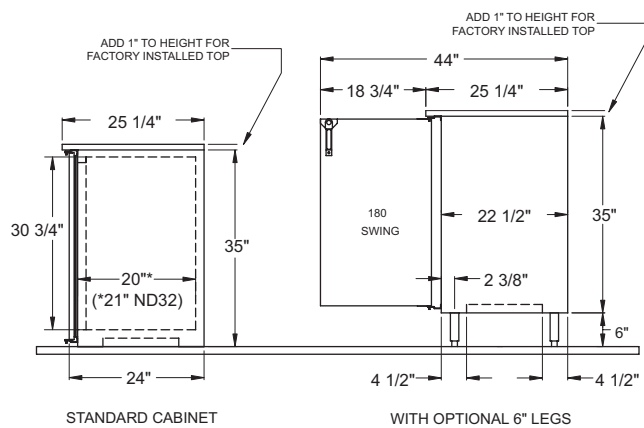
ND72



ND92



Side View All Models



Note: Available with compressor left or right. Compressor left model shown. Use Model Number Key to specify location when ordering.

Model	Capacity: 12 oz. bottle / 750ml wine bottles / NOTE: Door width does not allow for keg storage	Refrigeration	Voltage	Amps
ND32	5.3 cases / 60 750ml wine bottles / No keg storage	1/3 H.P. / R134a	120v / 60 Hz / 1 phase	8.2 full load
ND52	11.7 cases / 120 750ml wine bottles / No keg storage	1/4 H.P. / R134a	120v / 60 Hz / 1 phase	6.5 full load
ND72	18.5 cases / 192 750ml wine bottles / No keg storage	1/4 H.P. / R134a	120v / 60 Hz / 1 phase	6.5 full load
ND92	25.25 cases / 264 750ml wine bottles / No keg storage	1/4 H.P. / R134a	120v / 60 Hz / 1 phase	6.5 full load



5400 N Michigan Rd • Saginaw, MI • 48604-9780
989.752.4275 • 800.748.0423 • Fax 989.752.4444
www.glastender.com

Printed in USA