



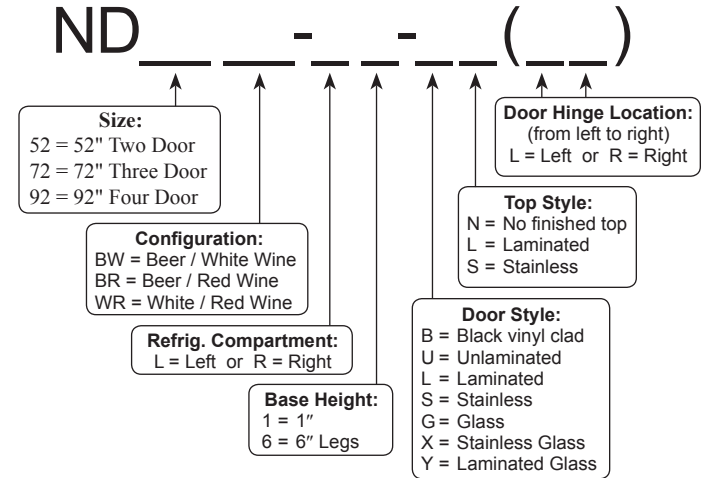
ND52BR-L1-GS(RL)



NSF standard 7 listed for storage of non-hazardous bottled and canned products only

Project: _____	AIA# _____
Item #: _____ Qty: _____	SIS# _____
Model #: _____	

**Two Zone Narrow Door Coolers  
Two, Three, and Four Door,  
Self-Contained**



**Standard Features**

- Available in three configurations: beer and white wine, beer and red wine, or white wine and red wine
- Available with compressor located left or right. The warmer of the two compartments is always a single door and located opposite the compressor end.
- The two temperature zones are independently controlled
- Self-contained
- All stainless steel interior construction with radius interior corners for easy cleaning
- CFC free foamed-in-place insulation
- Black vinyl-clad steel exterior front and sides
- Automatic defrost timer
- Automatic condensate evaporator
- Leg sockets recessed into base
- 1/2" thick ABS plastic threshold scuff plate
- 180° swinging doors

**Specifications**

*Electrical*

- 120V, 1 phase, 60 Hz, 6.5 full load amps
- Dedicated 15 amp circuit is required
- Includes a 6 foot grounded cord and plug which exits the back of refrigeration compartment

*Refrigeration*

- R134a
- 1/3 HP

*Operating Range*

- Beer compartment: 34°F to 40°F
- White wine compartment: 50°F to 55°F
- Red wine compartment: 60°F to 65°F

*Plumbing*

- Automatic condensate evaporator. No drain connection required

*Shelving*

- Two adjustable coated shelves and one bottom coated rack per door included
- Part #06006265 wine rack shelf with 5 slots is available as an accessory

*Legs*

- 1-5/8" diameter
- Stainless steel bullet feet

*Capacity*

- 5.3 cases long neck beer bottles per door or 60 750ml wine bottles per door. **NOTE: Door width does not allow for keg storage.**

*Materials*

- 22 gauge stainless steel parts include: interior floor, walls, ceiling, front of cabinet, and evaporator housing
- 22 gauge black vinyl-clad parts include: sides, standard doors, and compressor compartment housing
- 22 gauge galvanized steel parts include: exterior sub-top and back
- 16 gauge stainless steel parts include: legs
- 16 gauge galvanized steel parts include: base and compressor compartment base plate
- 16 gauge zinc plated CR steel parts include: leg sockets
- 12 gauge stainless steel parts include: hinges, hinge brackets, and lock brackets

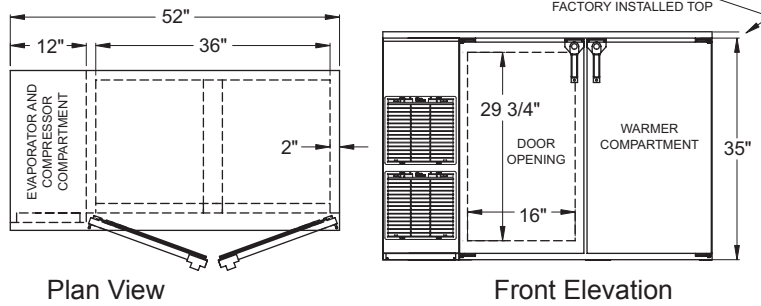
<p><b>Glastender, Inc.</b> • 5400 N Michigan Rd • Saginaw, MI • 48604-9780 989.752.4275 • 800.748.0423 • Fax 989.752.4444 www.glastender.com</p>	Approval/Notes:
--	-----------------

Specifications subject to change without notice. For current specifications please visit our website.

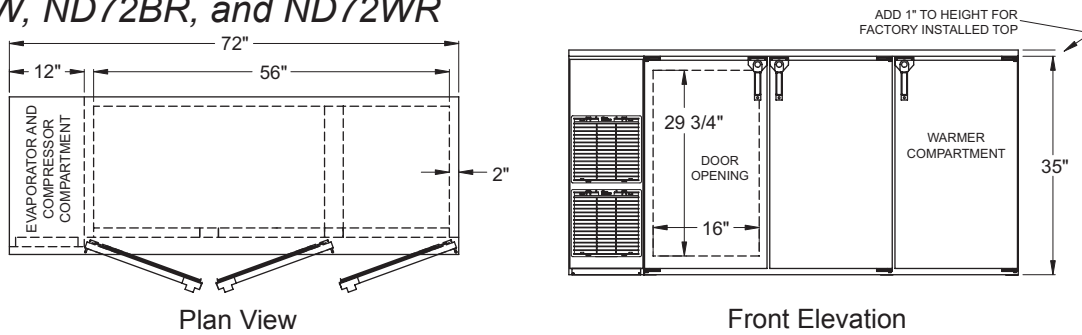
# Self-Contained Two Zone Narrow Door Coolers

## Dimensional Information

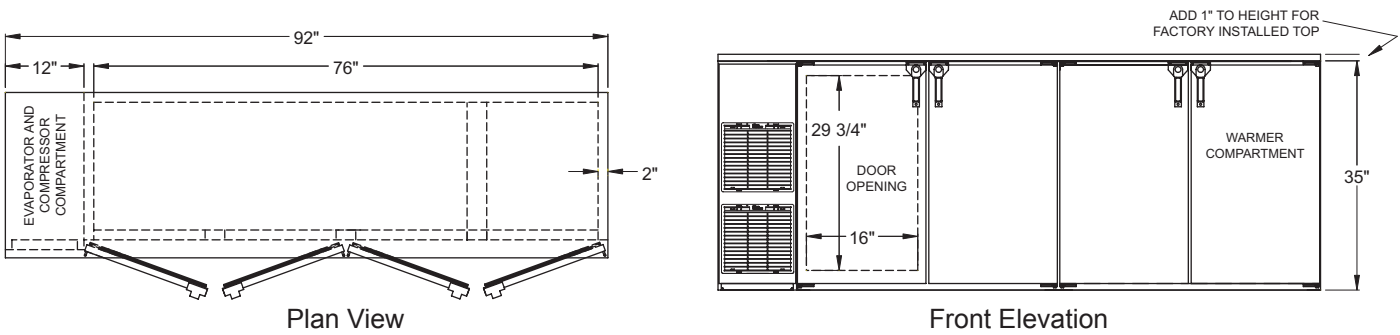
### ND52BW, ND52BR, and ND52WR



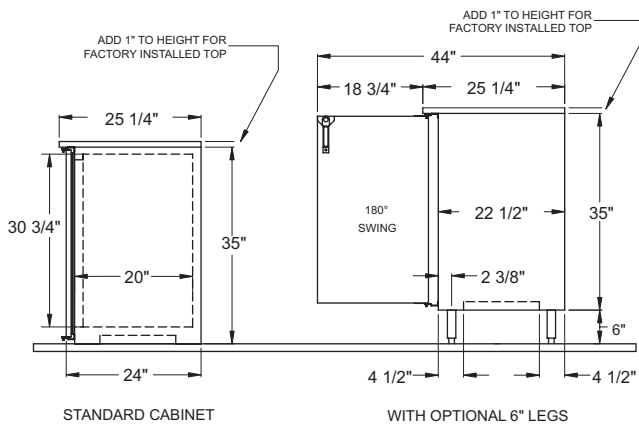
### ND72BW, ND72BR, and ND72WR



### ND92BW, ND92BR, and ND92WR



## Side View All Models



06006265 Accessory Wine Rack Shelf for ND, stainless steel with slots for 5 bottles



5400 N Michigan Rd • Saginaw, MI • 48604-9780  
 989.752.4275 • 800.748.0423 • Fax 989.752.4444  
 www.glastender.com