



LP48-L1-BL(LR)

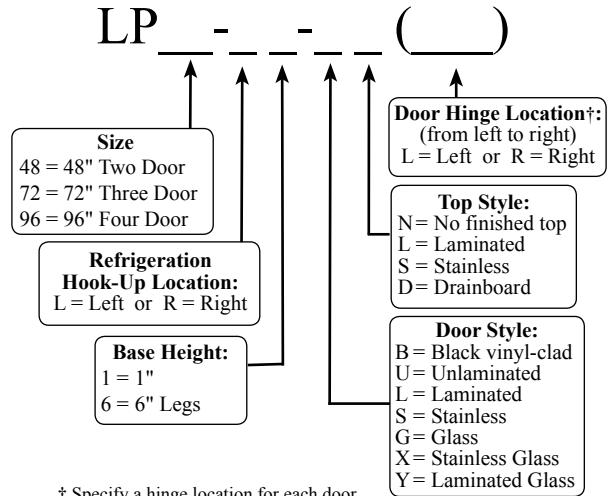


COMPONENT

NSF standard 7 listed for open food storage

Project: _____	AIA# _____
Item #: _____ Qty: _____	SIS# _____
Model #: _____	

Low Profile Coolers Two, Three and Four Door Remote



Standard Features

- Remote unit
- All stainless steel interior construction with radius interior corners for easy cleaning
- CFC free foamed-in-place insulation
- Galvanized steel sub-top
- Black vinyl-clad steel exterior front and sides
- Stainless steel die cast handle
- Stainless steel evaporator housing with separate removable evaporator drain pan
- Leg sockets recessed into base
- 1/2" thick ABS plastic threshold scuff plate
- 180° swinging doors

Specifications

Electrical

- 120V, 1 phase, 60 Hz
- Dedicated 15 amp circuit is required
- 14 gauge wire connection is made inside the cooler next to evaporator housing - interior access is through one of the 3/4" side knock-out holes (electrician's choice)

Refrigeration

- R134a or R404a expansion valve & temperature control included. Specify type required when ordering.
- Recommended condensing unit:
LP48 - 1/4 HP which has an approximate rating of 2,200 BTU/H at +20°F evaporator temperature
LP72 and LP96 - 1/3 HP which has an approximate rating of 3,064 BTU/H at +20°F evaporator temperature
- All refrigeration hookups are made at the installation site

Plumbing

- A ten foot length of 1/2" ID by 5/8" OD plastic tubing is provided to drain condensate. The tubing should exit through one of the 3/4" side knock-out holes (installer's choice). The maximum drainage is one ounce per hour - consult local codes for compliance - a floor drain may be required

Shelving

- One adjustable coated shelf and one bottom coated rack per door included

Legs

- 1-5/8" diameter
- Stainless steel bullet feet

Materials

- 22 gauge stainless steel parts include: interior floor, walls, ceiling, front of cabinet, and evaporator housing
- 22 gauge black vinyl-clad parts include: sides and standard doors
- 22 gauge galvanized steel parts include: exterior sub-top and back
- 16 gauge stainless steel parts include: legs
- 16 gauge galvanized steel parts include: base
- 16 gauge zinc plated CR steel parts include: leg sockets
- 12 gauge stainless steel parts include: hinges, hinge brackets, and lock brackets

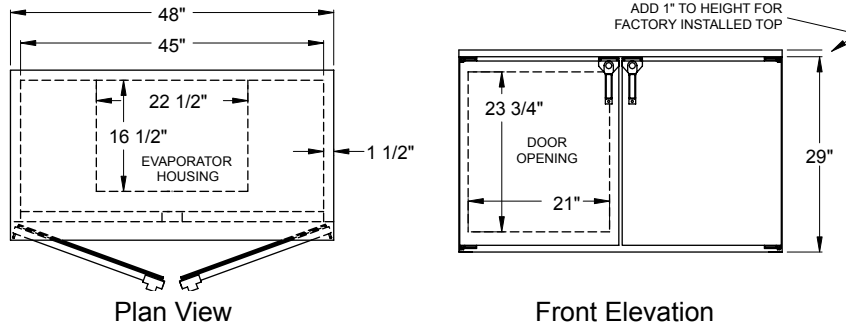
<p>Glastender, Inc. • 5400 N Michigan Rd • Saginaw, MI • 48604-9780 989.752.4275 • 800.748.0423 • Fax 989.752.4444 www.glastender.com</p>	<p>Approval/Notes:</p>
--	------------------------

Specifications subject to change without notice. For current specifications please visit our website.

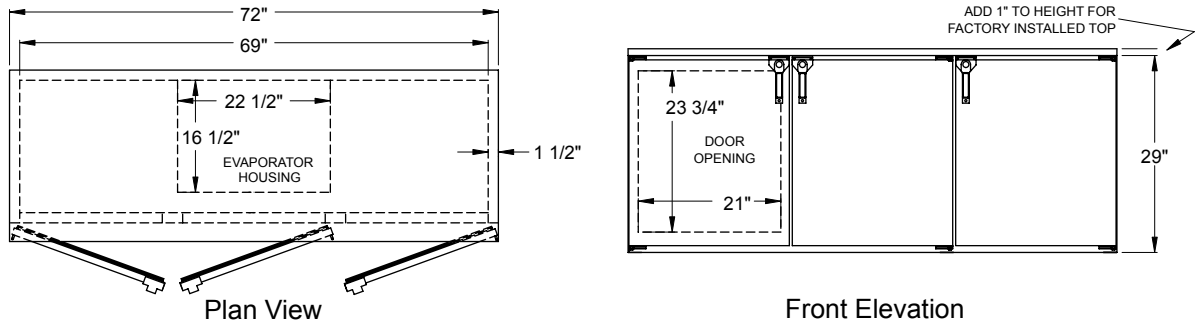
Remote Low Profile Coolers

Dimensional Information

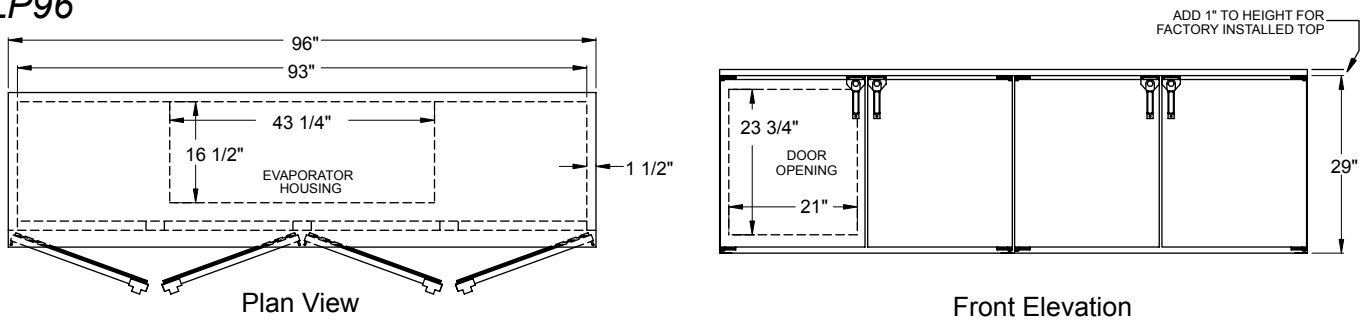
LP48



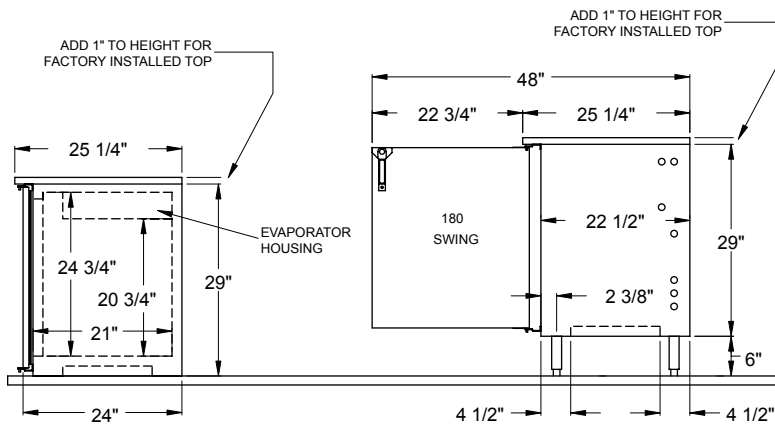
LP72



LP96



Side View All Models



STANDARD CABINET

WITH OPTIONAL 6" LEGS

Model	Capacity: 12 oz. bottle	Refrigeration	Voltage
LP48	10.5 cases	1/4 H.P. Recommended	120v / 60 Hz / 1 phase
LP72	16.34 cases	1/3 H.P. Recommended	120v / 60 Hz / 1 phase
LP96	22.16 cases	1/3 H.P. Recommended	120v / 60 Hz / 1 phase



5400 N Michigan Rd • Saginaw, MI • 48604-9780
 989.752.4275 • 800.748.0423 • Fax 989.752.4444
 www.glastender.com