

Operation Manual, Parts Directory and Price List

Glas tender®

MFV24

REACH-IN MUG CHILLERS



MFV24-SS(L)
with optional casters

Glastender, Inc. · 5400 North Michigan Road · Saginaw, MI · 48604-9780
800.748.0423 · 989.752.4275 · Fax 989.752.4444 · www.glastender.com

INSTALLATION

Introduction.....	1
Utility requirements and connections.....	1
Uncrating and start-up instructions.....	1
Operation.....	1
Cleaning instructions.....	2
Floor sealing instructions.....	2
Electrical and refrigeration specifications.....	2

SERVICE AND PARTS

Terms and Conditions.....	3
Warranty statement.....	3

WIRING DIAGRAM..... 4

PARTS AND SERVICE

Compressor and condenser related parts.....	5-6
Evaporator and related parts.....	7
Electrical components.....	8
Shelving and related parts.....	9
Doors, tops and related parts.....	10
Refrigeration compartment covers.....	11

INTRODUCTION

This manual describes the operational features of the Reach-In Mug Chiller model MFV24. Please review this information before attempting installation and operation.

Long term, trouble-free service will follow if good housekeeping and maintenance procedures are followed. Thank you for selecting Glastender, Inc. products.

UTILITY REQUIREMENTS AND CONNECTIONS

- Electrical: 115 Volt AC, 1 Phase, 60 Hz, 8.55 Full Load Amps. A separate 15 Amp circuit is recommended. A 6-foot grounded cord is included.
- Plumbing: Automatic condensate evaporator is included. No drain connection required.

UNCRATING AND START-UP INSTRUCTIONS

All Reach-In Mug Chiller models are shipped in one carton. These steps should be followed:

1. If legs or casters are included, bolt them to the base with the bolts provided.
2. Unwrap power cord from base.
3. Position the Reach-In Mug Chiller and level and/or seal as required (see page 2).
4. Install shelves.
5. Plug into 115 volt AC outlet.
6. Load with mugs, glasses, plates, etc.
7. Your Glastender Reach-In Mug Chiller is now ready for use.

OPERATION

The Reach-In Mug Chiller is designed to chill mugs, glasses, plates, etc. that will appear “frosted” when removed. The operating temperature range of 0°F(-18°C) to 35°F(2°C).

The Reach-In Mug Chiller should be filled with **dry**, room-temperature mugs, glasses, plates, etc. to allow maximum chilling. During business hours, the Reach-In Mug Chiller can be loaded with additional dry, room-temperature mugs, glasses, plates, etc. Allow 30 minutes for chilling.

The Reach-In Mug Chiller includes an **automatic defrost** system. Defrosting will occur every six hours for approximately 20 minutes. During the defrost cycle, the fan inside the Reach-In Mug Chiller will turn off and a small amount of mist may appear if the door is opened.

There is also a **manual defrost** system controlled by a switch located on the front left bottom of the Reach-In Mug Chiller. This is used when there is ice or snow accumulation inside. An end-of-the-day or weekly schedule can be established for the activation of this manual defrost cycle.

When the manual defrost switch is pushed, a light will turn on and the Reach-In Mug Chiller will go into a six-hour defrost. After six hours, the Reach-In Mug Chiller will resume normal operation.

If the manual defrost switch is accidentally pushed, the defrost cycle can be terminated by unplugging the power cord for three seconds.

CLEANING INSTRUCTIONS

Cleaning is essential to sustaining the integrity of your equipment and preventing corrosion.

ESTIMATED CLEANING TIME: 5 to 10 minutes per unit daily, 45 minutes quarterly

FREQUENCY: Daily cleaning of exterior & door gaskets. Quarterly cleaning of interior, including shelves.

PROCEDURE:

1. A non-chlorine based cleaner or mild detergent and warm water applied with a soft cloth or sponge to all contact surfaces.
2. Immediately rinse off cleaning agent(s), using clean warm water, clean soft cloth or sponge.
3. Dry with a soft clean cloth, removing standing water as soon as possible.

NOTES:

1. Never use hydrochloric acid, wire brushes, steel wool, scrapers, or chlorine based cleaners on stainless steel surfaces, since they will break down the passivity layer and allow corrosion to occur.
2. On stainless steel surfaces, you may use a soft bristle brush or Scotch-Brite[®] pad for more stubborn stains. Always scrub with the direction of the grain. Follow with a thorough cleaning as described above.
3. Deposits from food preparation must be properly removed. Even hard water deposits will rust stainless steel, if not removed.
4. Repeated cleaning may dry up black-vinyl-clad steel (exterior) surfaces of the cooler. Armor All[®] or similar product can bring back the shine. Apply the product to a cloth and then rub into the surface, rather than spraying it directly onto the black-vinyl-clad surface.
5. The cooler door gaskets are most often overlooked when cleaning. Failure to clean them regularly will lead to premature failure, since alcohol and moisture build-up breaks down the gasket material.

SEALING REACH-IN MUG CHILLER BASE TO FLOOR

To comply with NSF & health codes. The Reach-In Mug Chiller base must be sealed to the floor using NSF listed sealant. Place a bead of sealant along outer edges of the base and remove excess with disposable towel.



ELECTRICAL AND REFRIGERATION SPECIFICATIONS

MODEL (L-to-R LENGTH)	ELECTRICAL	REFRIGERANT		DESIGN PRESSURE	
		TYPE	CHARGE	HIGH	LOW
24"	115V, 1Ph., 60 Hz., 8.55 Amp	R404A	9.75oz.	350	175

TERMS AND CONDITIONS

**PRICES:**

All prices are LIST. Applicable taxes will be added.

QUOTATIONS:

Unless otherwise stated, quotations are effective for 30 days only.

ACCEPTANCE:

All orders are subject to acceptance by Glastender, Inc.'s headquarters in Saginaw, Michigan. Possession of the Parts Directory and Price List is not an offer to sell.

SHIPMENTS:

F.O.B. factory in Saginaw, Michigan. Partial shipments will be made unless otherwise specified by the customer. Orders are shipped via UPS or DHL unless otherwise specified.

PAYMENT TERMS:

Cash should be included with all orders unless credit terms have been arranged. To establish credit, banking and trade references are required. A convenient credit application is available upon request. Visa and Mastercard are also accepted.

DELIVERY:

Varies according to prior production commitments, but parts orders generally ship within two working days.

RETURNS:

A Return Authorization (RA) number must be issued by the factory in advance for any items that are returnable. The RA number MUST be noted on the outside of the returned package. Returns must be received within 90 days of the RA issue date. Shipping charges must be prepaid. A 20% handling charge will be applied to all authorized returns if received in new, unused condition in the original packaging.

LOSS OR DAMAGE:

Glastender, Inc. is not responsible for any loss, damage, or delay of merchandise during shipment. Such transit claims must be filed with the carrier. Merchandise must be examined on arrival. If shortages occur, Glastender, Inc. must be notified in writing within five (5) days of delivery to honor any shortage claim.

NOTE: Glastender, Inc.'s policy of constant quality improvement means that prices, specifications, and policies are subject to change without notice.

WARRANTY STATEMENT

LABOR: Glastender, Inc. warrants all products to be free of defects in material and workmanship. In established areas, a start-up and a 90-day labor warranty are included with glasswasher models GT-24 and GT-30. The GT-18 series glasswashers include a 90-day labor warranty. Self-contained refrigeration models, except beer line chillers, include a 1-year labor warranty, for the duration of one year from date of installation or up to 18 months from date of factory shipment, whichever occurs sooner. For warranty labor claims beyond 15 months from the date of factory shipment, proof of date of installation or occupancy must be provided. Authorization for labor must be obtained from Glastender within the warranty period and prior to the service being performed. Labor warranty applies to the United States and Canada only.

PARTS: Within one year from date of installation, or 15 months from date of factory shipment, whichever occurs sooner, Glastender, Inc. will replace any part or assembly found defective under normal use and service. Field replacement parts include a warranty of 90 days from date of installation. All self-contained refrigeration models include a 5-year compressor warranty.

A warranty claim form **MUST** accompany all returned defective parts or assemblies. This form **MUST** be completed in full. Failure to do so may result in delay or denial of credit. Any defective part or assembly must be returned to Glastender, Inc., Saginaw, Michigan, with all transportation and delivery charges prepaid. Warranty repairs or replacements will be shipped FOB factory in Saginaw, Michigan.

The warranty does not cover equipment subjected to accidents, freight damage, alterations, improper power and/or plumbing hookups, improper chemical use, general misuse, or lack of routine required maintenance as determined by Glastender, Inc.

No representative, distributor, dealer, or any other person is authorized to modify this warranty. This warranty replaces all other written or verbal warranties.

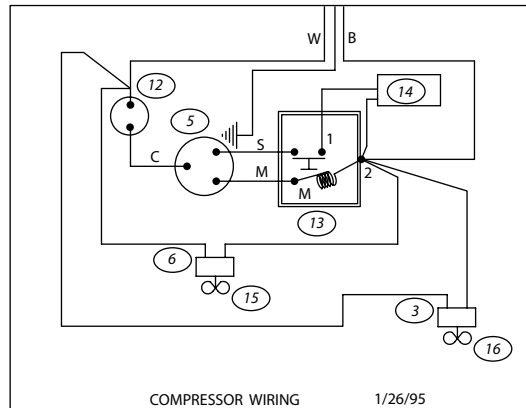
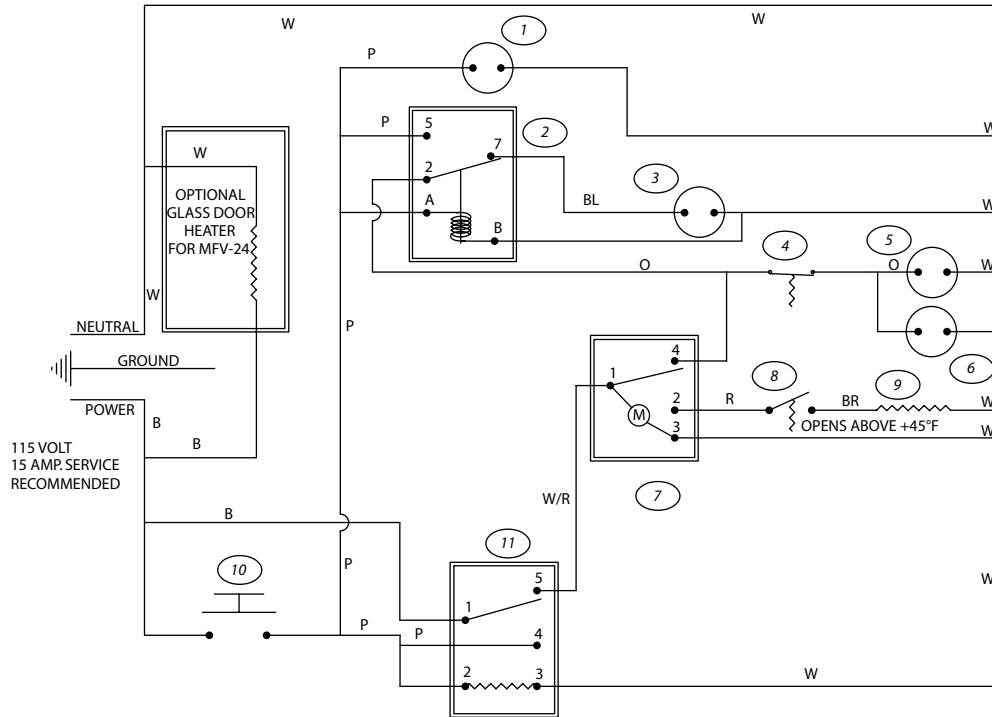
NOTE: Glastender, Inc.'s policy of constant quality improvement means that prices, specifications, and policies are subject to change without notice. Questions regarding this warranty should be directed to Glastender's Customer Service Representative.

03/01/07

IMPORTANT!!

Attention Refrigeration Service Companies

Please review the important warranty information on this page. If you believe a service call should be covered by the factory, please call the factory for authorization between 8AM and 5PM EST, Monday through Friday.



LEGEND

- B = Black
- BL = Blue
- BR = Brown
- O = Orange
- R = Red
- P = Purple
- W = White
- W/R = White W/ Red

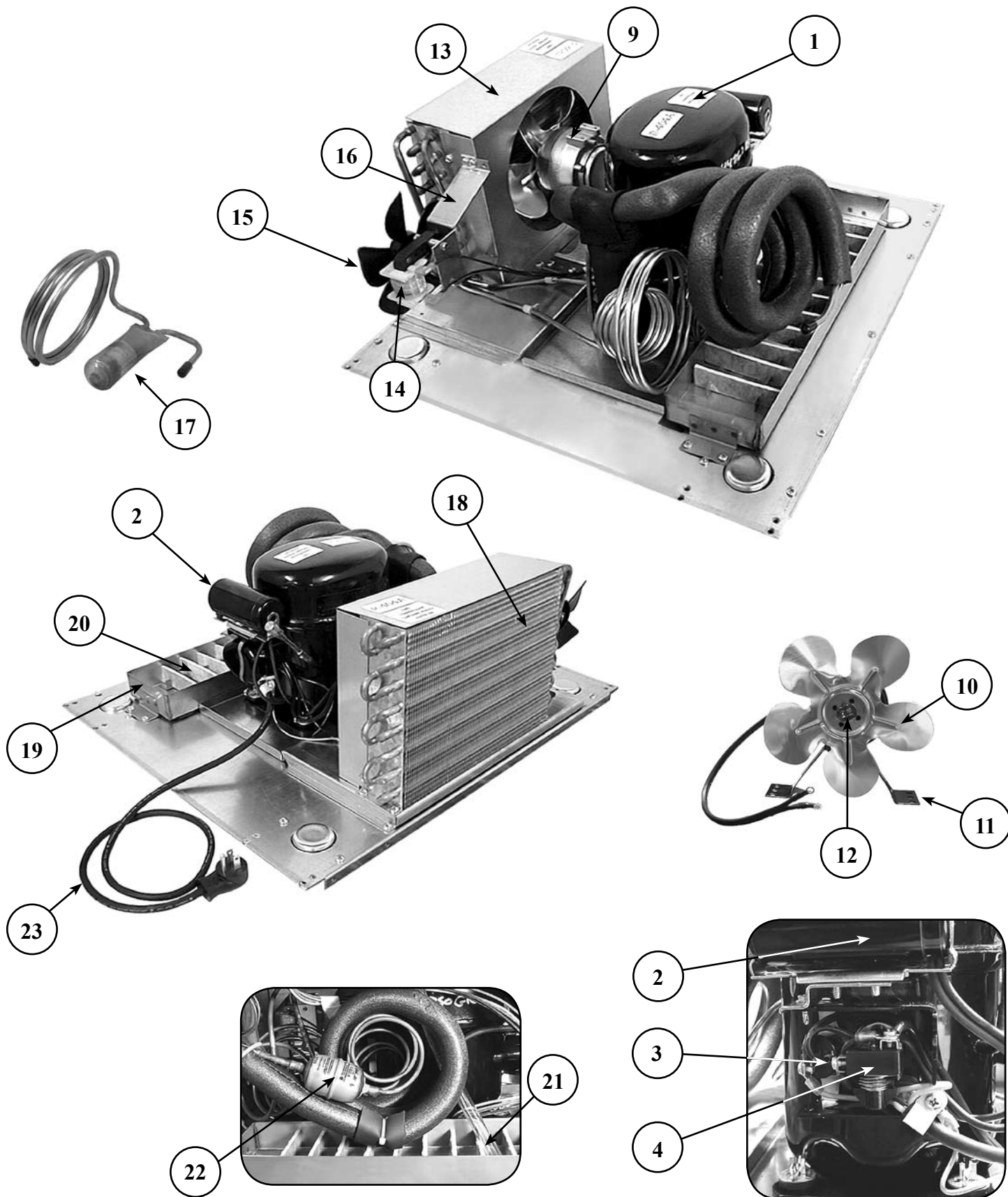
ELECTRICAL RATINGS

115V, Single Phase, 60Hz, 3 wire.
All wires are 16 Gauge

Compressor	7.60 AMP
Condensing Unit Fan Motor	.82 AMP
Evaporator Fan Motor	.53 AMP
TOTAL AMPS	8.85

ITEM	DESCRIPTION	GT#	MT#
1	LIGHT, MANUAL DEFROST, RED, 125v	GT-034907	07000171
2	RELAY, EVAPORATOR FAN, 115v, MUG FROSTER	GT-034105	07000166
3	MOTOR, EVAPORATOR FAN, 115v	GT-035107	06001445
4	TEMPERATURE CONTROL W/KNOB		07000276
5	COMPRESSOR, 1/3 hp, R404a, (TECUMSEH) AFTER 01/2002	GT-035026	07000175
6	CONDENSER, FAN MOTOR, 6W	GT-035114	06001449
7	DEFROST TIMER, AUTOMATIC, 115v 6-HOUR, PARAGON	GT-033000	06001397
8	SENSOR, DEFROST	GT-033413	07000165
9	DEFROST HEATER, 115v	GT-034704	07000169
10	SWITCH, MANUAL DEFROST, START AND CYCLE TEST	GT-033401	07000257
11	MANUAL DEFROST TIMER, 6 HOUR	GT-033001	07000156
12	OVERLOAD PROTECTOR, 1/3hp R404a, TECUMSEH	GT-031207	07000128
13	RELAY, 1/3hp R404a, TECUMSEH COMPRESSOR	GT-034112	07000168
14	START CAPACITOR, 1/3hp R404a, TECUMSEH COMPRESSOR	GT-032206	06001380
15	FAN BLADE, CONDENSER, 5 BLADE	GT-032803	07000155
16	EVAPORATOR FAN BLADE, 5 BLADE, BLACK	GT-032804	09000298

Mug Froster MFV Wiring

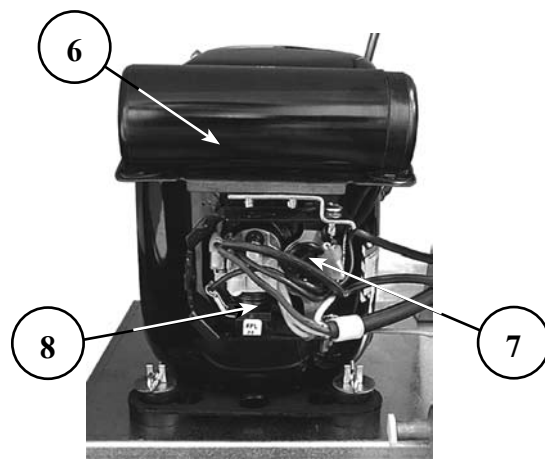


COMPRESSOR AND CONDENSER RELATED PARTS

<u>PART NO.</u>	<u>OLD PART NO.</u>	<u>DESCRIPTION</u>	<u>PRICE</u>
1. 07000173	GT-035008	1/3 HP Aspera compressor, R404A (prior to 01/00)	\$450.00
2. 07000151	GT-032203	Start Capacitor, Aspera 1/3 HP R404A compressor	25.00
3. 06001414	GT-034103	Relay for 1/3 HP Aspera, R404A compressor	14.00
4. 07000127	GT-031205	Overload protector, Aspera 1/3 HP R404A compressor	15.00
5. 07000175	GT-035026	1/3 HP Tecumseh compressor, R404A (after 01/00)	375.00
6. 06001380	GT-032206	Start Capacitor, for Tecumseh 1/3 HP R404A compressor	20.00
7. 07000168	GT-034112	Relay for Tecumseh 1/3 HP R404A compressor	18.00
8. 07000128	GT-031207	Overload protector, for Tecumseh 1/3 HP R404A compressor	12.00
9. 06001449	GT-035114	Motor, condenser fan, 6W	95.00
10. 07000155	GT-032803	Fan blade, condenser, 5 blade (metal)	10.00
11. 06001321	GT-031515	Bracket, condenser fan motor mounting (metal)	5.00
12. 07000179	GT-035714	Nut, condenser fan blade mounting	1.00
13. 07000152	GT-032302	Fan shroud, condenser	15.00
14. 06001445	GT-035107	Motor, circulation fan	35.00
15. 09000298	GT-032804	Fan blade, circulation fan, five blade (black plastic)	5.00
16. 07000133		Bracket, circulation fan motor	20.00
17. 06001384	GT-032501	Suction line accumulator	40.00
18. 08000078	GT-032607	Condenser coil	145.00
19. 08000125	GT-038006	Pan, condensate	60.00
20. 07000235	GT-038203	Wicking material, 4", consists of 11 pieces	14.00
21. 06001345	GT-031716	Tubing, drain, clear plastic, 1/2" ID x 5/8" OD, per foot	1.45
22. 06004028		Filter dryer with service port	25.00
23. 06001313	GT-031400	Condensing unit power cord	20.00



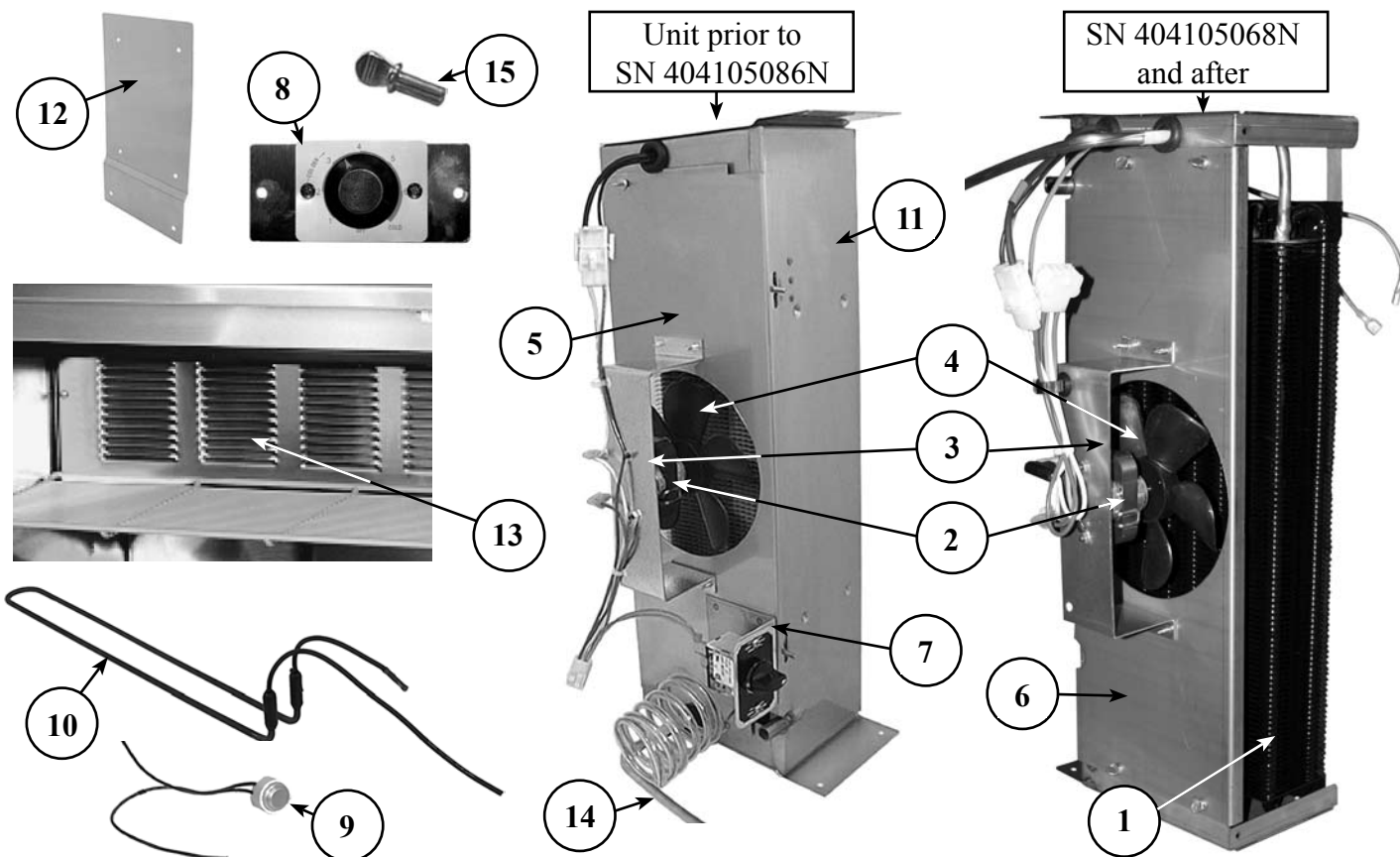
Tecumseh 1/3 HP Compressor



Tecumseh 1/3 HP Compressor

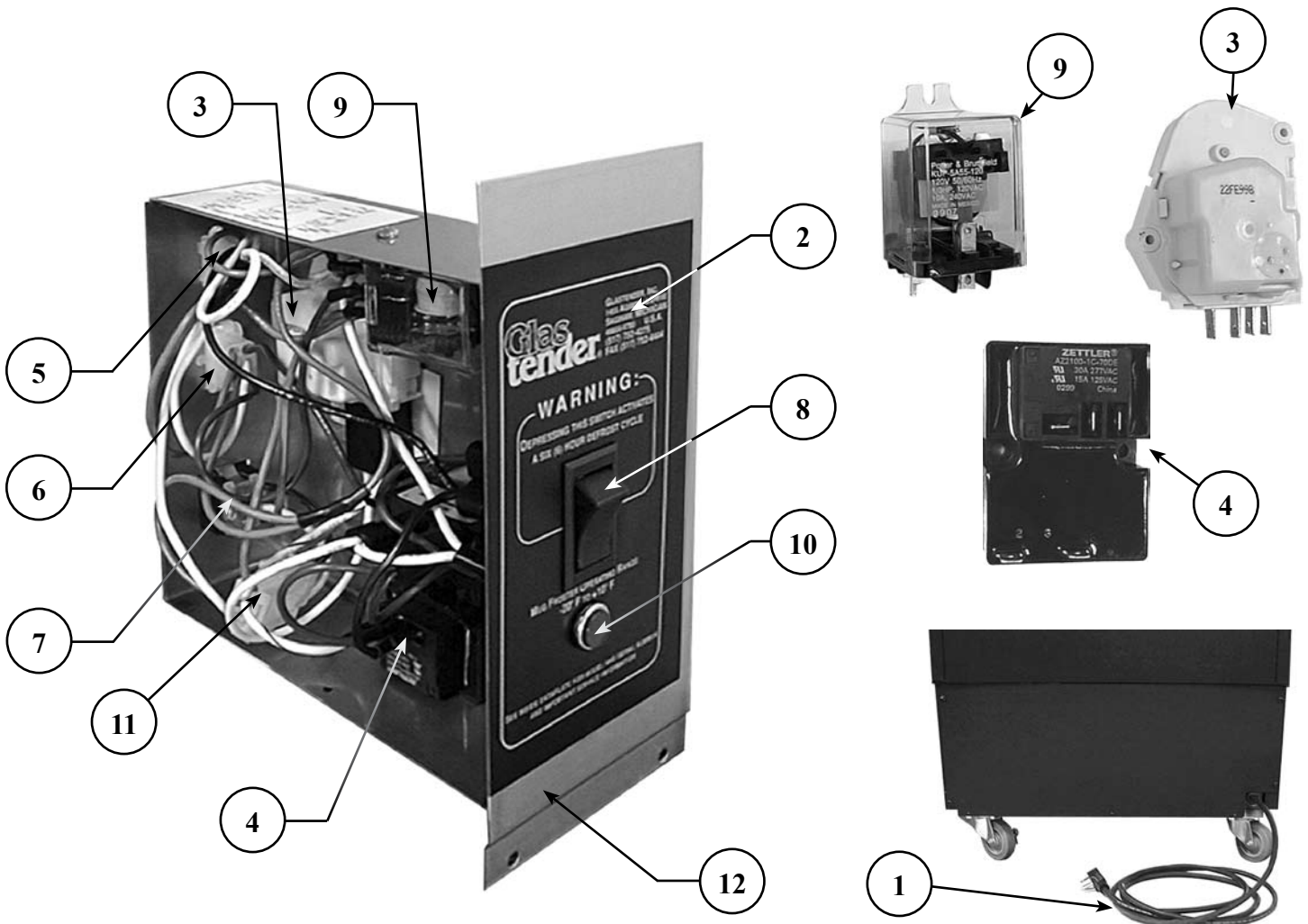
EVAPORATOR AND RELATED PARTS

PART NO.	OLD PART NO.	DESCRIPTION	PRICE
07000380		Evaporator coil replacement kit, prior to SN 404105086N	\$180.00
1. 07000504		Evaporator coil SN 404105068N and after	160.00
2. 06001445	GT-035107	Fan motor, evaporator	35.00
3. 07000310	GT-031514	Bracket, evaporator fan motor	14.00
4. 09000298	GT-032804	Fan blade, evaporator, 5 blade (black plastic)	5.00
5. 07000153	GT-032303	Evaporator fan box back, prior to SN 404105086N	24.00
6. 07000362		Evaporator fan box back, SN 404105086N and after	24.00
7. 07000134	GT-031516	Temperature control mounting bracket, prior to SN 404105086N	10.00
8. 07000276		Temperature control, includes knob, 0°F to 35°F operating range	50.00
9. 07000165	GT-033413	Defrost sensor	26.00
10. 07000169	GT-034704	Defrost heater	60.00
11. 07000228	GT-037420	Evaporator housing, prior to SN 404105086N	60.00
07000365		Evaporator housing, SN 404105086N and after	60.00
12. 07000141	GT-031549	Evaporator mounting bracket	12.00
13. 07000182	GT-036100	Cover, front, evaporator, prior to SN 404105086N	54.00
07000364		Cover, front, evaporator, SN 404105086N and after	54.00
07000183	GT-036101	Cover, bottom, evaporator, prior to SN 404105086N	42.00
07000360		Cover, bottom, evaporator, SN 404105086N and after	42.00
14. 07000154	GT-032508	Cap tube, .036" x 60"	20.00
15. 06001574	GT-038833	10-32" x 1/2" thumbscrew (4 required) (2 req prior to SN 404105086N)	1.50



ELECTRICAL COMPONENTS

<u>PART NO.</u>	<u>OLD PART NO.</u>	<u>DESCRIPTION</u>	<u>PRICE</u>
1. 06001314	GT-031401	Exterior power cord, 11'	\$35.00
07000599		Replacement power cord assembly, includes (06001572, 01000669, 06001314)	40.00
2. 07000246	GT-031608	Decal, control module	7.00
3. 06001397	GT-033000	Automatic defrost	32.00
4. 07000156	GT-033001	Manual defrost timer (6 hr)	90.00
5. 01000547	GT-033301	Receptacle, 3 wire, mate-n-lok	1.00
6. 06001634	GT-033302	Receptacle, 6 wire, mate-n-lok	1.50
7. 06001409	GT-033304	Receptacle, compressor	5.00
8. 07000257	GT-033401	Manual defrost switch	20.00
9. 07000166	GT-034105	Evaporator fan relay	40.00
10. 07000171	GT-034907	Manual defrost light, red	10.00
11. 07000176	GT-035519	Wiring harness, control module	50.00
12. 07000227	GT-037419	Control module, complete	1,090.00

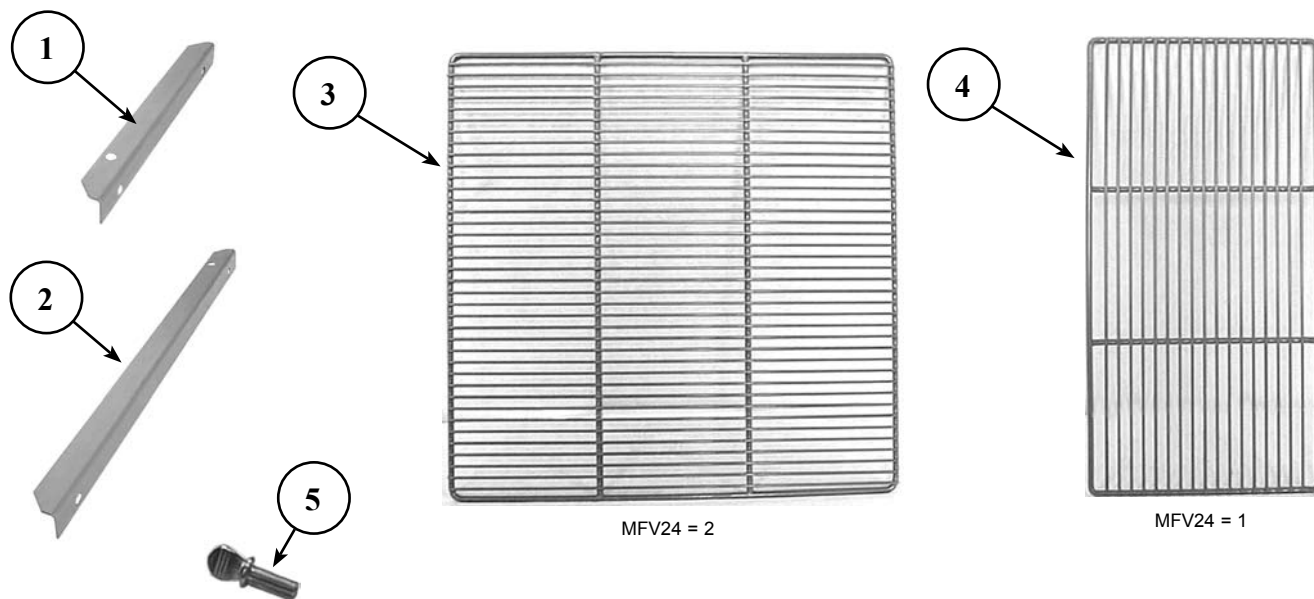


220 VOLT ELECTRICAL PARTS

<u>PART NO.</u>	<u>DESCRIPTION</u>	<u>PRICE</u>
06001438	Compressor, 1/3 HP, 220/50Hz, R404A	\$510.00
06001793	Start capacitor, for 1/3 HP R404A compressor, 220/50Hz	25.00
06001794	Relay, compressor, 1/3 HP, 220V/50Hz, R404A	10.00
06001795	Overload for 1/3 HP R404A compressor, 220/50Hz	15.00
06001451	Motor, condenser fan, 9 watt, 220V 50/60 Hz	120.00
06001448	Motor, evaporator fan, 220V	50.00
07000170	Defrost heater, 220V	85.00
06001398	Defrost timer, automatic, 220V, 50 cycle	32.00
07000157	Defrost timer, manual, 220V, 50 cycle, 6 hour	132.00
01000591	Light, power, green, 220 VAC	6.00
07000167	Relay, evaporator fan, 220V	72.50

SHELVING AND RELATED PARTS

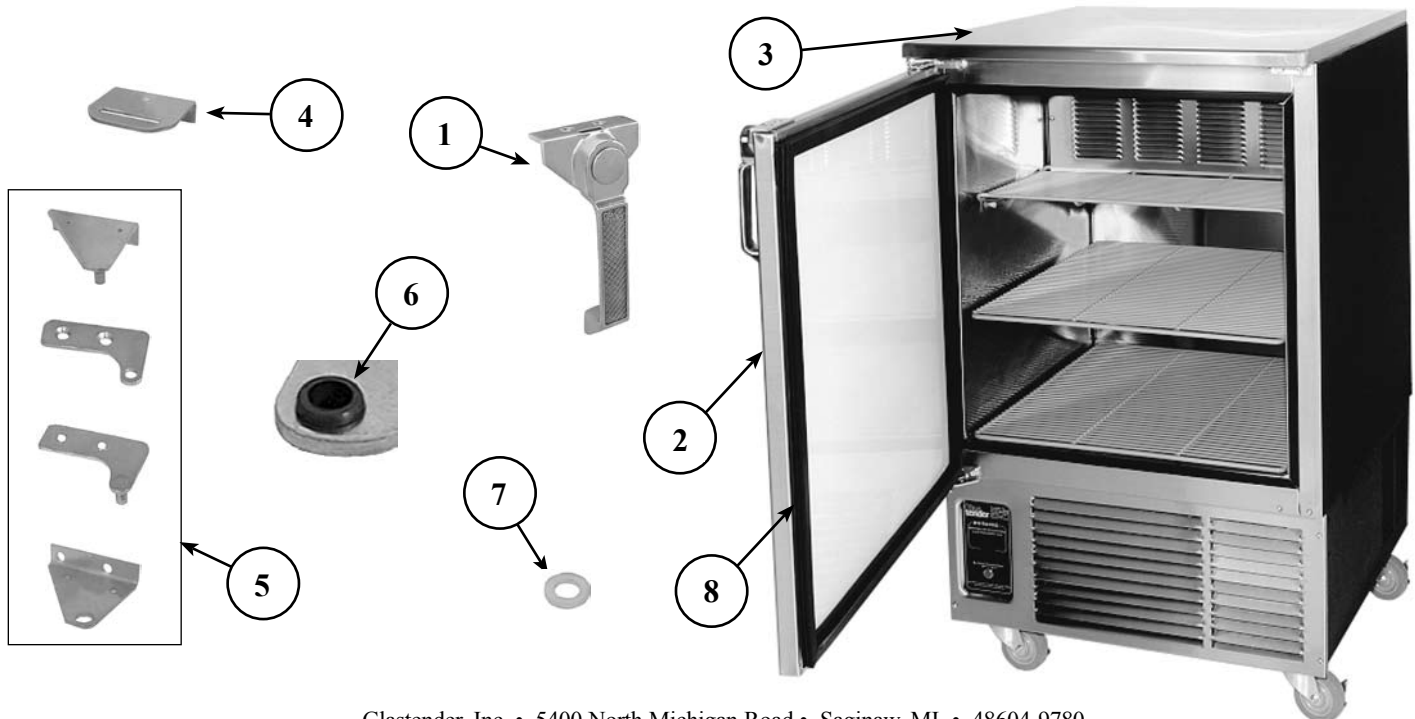
	<u>PART NO.</u>	<u>OLD PART NO.</u>	<u>DESCRIPTION</u>	<u>PRICE</u>
1.	07000139	GT-031547	8" shelf bracket (2 required)	\$10.00
2.	07000140	GT-031548	14" shelf bracket (2 required)	16.00
3.	07000159	GT-033104	Shelf, 19-5/8" x 19-5/8", bottom & middle (2 required)	50.00
4.	07000160	GT-033105	Shelf, 9-13/16" x 19-5/8", top (1 required)	35.00
	07000226	GT-036943	Shelf kit (07000159 = 2, 07000160 = 1)	135.00
5.	06001574	GT-038833	10-32" x 1/2" thumbscrew, ss	1.50



Entire Shelving kits for: MFV24 = 07000226

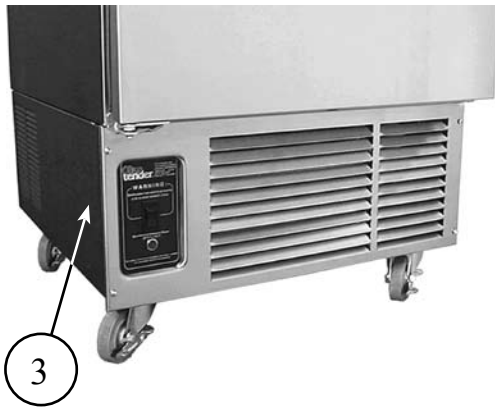
DOORS, TOPS, AND RELATED PARTS

PART NO.	OLD PART NO.	DESCRIPTION	PRICE
1. 06001462	GT-035402	Door handle, mirror finish stainless steel	\$60.00
06001653	GT-035401	Door handle, polished brass	110.00
07000218	GT-036260	Door, black vinyl-clad	308.00
2. 07000219	GT-036261	Door, stainless steel	408.00
07000220	GT-036262	Door, unlaminated	308.00
07000221	GT-036263	Door, laminated	440.00
07000372		Door, heated black vinyl-clad glass, right hinge	926.00
07000373		Door, heated black vinyl-clad glass, left hinge	926.00
07000374		Door, heated stainless glass, right hinge	1082.00
07000375		Door, heated stainless glass, left hinge	1082.00
07000376		Door, heated laminated glass, right hinge	1058.00
07000377		Door, heated laminated glass, left hinge	1058.00
3. 06001710	GT-038121	Top, stainless steel	240.00
07000265	GT-038122	Top, laminated	385.00
06001536	GT-036602	Door lock, stainless	36.00
06004009		Key, #806, for stainless cooler door lock (06001536)	4.00
06001535	GT-036601	Door lock, brass	43.00
06004010		Key, #606, for brass cooler door lock (06001535)	4.00
4. 07000356		Lock bracket	5.00
5. 06001363	GT-032105	Hinge set and brackets, right (complete with screws)	35.00
06001364	GT-032106	Hinge set and brackets, left (complete with screws)	35.00
07000267	GT-032109	Lock bracket for wood door	5.00
06001365	GT-032107	Hinge set and brackets, for wood door, right (complete with screws)	40.00
07000268	GT-032108	Hinge set and brackets, for wood door, left (complete with screws)	40.00
6. 06001569	GT-038495	Bushing, cooler door hinge, (black)	1.00
7. 06001485	GT-036012	Washer, nylon, cooler door hinge	1.00
8. 07000131	GT-031325	Gasket, door, 22-7/16" x 22-13/16"	42.00

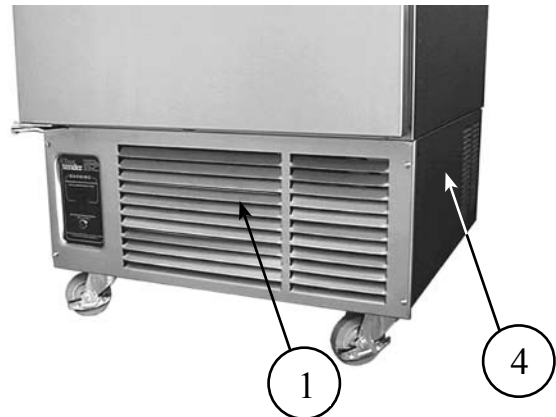


	<u>PART NO.</u>	<u>OLD PART NO.</u>	<u>DESCRIPTION</u>	<u>PRICE</u>
	07000204	GT-036163	Front, black vinyl-clad	\$33.00
1.	07000205	GT-036165	Front, stainless steel	48.00
2.	07000206	GT-036166	Back, black vinyl-clad	40.00
	07000207	GT-036167	Back, stainless steel	80.00
3.	07000209	GT-036169	Side, left, stainless steel	80.00
	07000210	GT-036170	Side, left, black vinyl-clad	40.00
4.	07000211	GT-036171	Side, right, stainless steel	80.00
	07000208	GT-036168	Side, right, black vinyl-clad	40.00

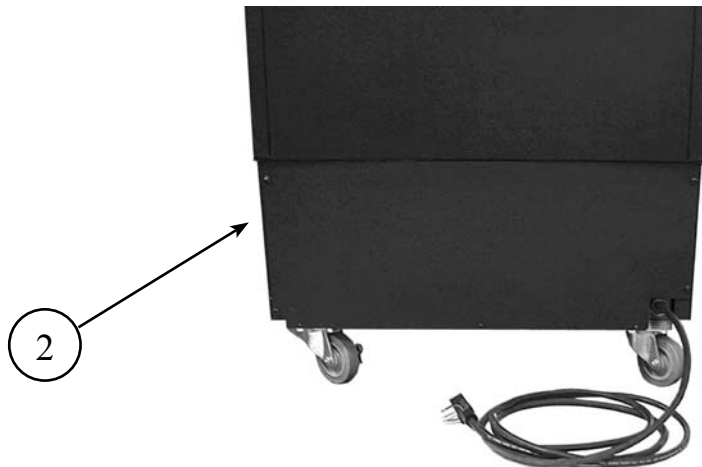
Front view



Front view



Rear view



UNPARALLELED UNDERBAR DESIGN & ENGINEERING

Expect more



more flexibility

more features



**Glas
tender**®

Glastender has the most complete line of bar equipment and the ability to manufacture custom units, giving you virtually unlimited design flexibility. Each piece of equipment is engineered with features that enhance your efficiency, ease your maintenance, and prolong the life of your investment.

The flexibility you want. The features you need.

Glastender. Expect more.

GLASSWASHERS • COCKTAIL STATIONS • COOLERS • FROSTERS • BEER SYSTEMS