

Parts Catalogue

Chefmate
by *Globe*

Chefmate
by *Globe*

Chefmate
by *Globe*

Chefmate
by *Globe*

Chefmate
by *Globe*



Model GC512

SLICING MACHINES MODEL: GC512

1-1-2002

IMPORTANT!

TO EXPEDITE SHIPMENT OF PARTS, ALWAYS SPECIFY MODEL, REV,
PART NUMBER, AND SERIAL NUMBER OF SLICER.

GLOBE FOOD EQUIPMENT COMPANY

2268 N. Moraine Drive

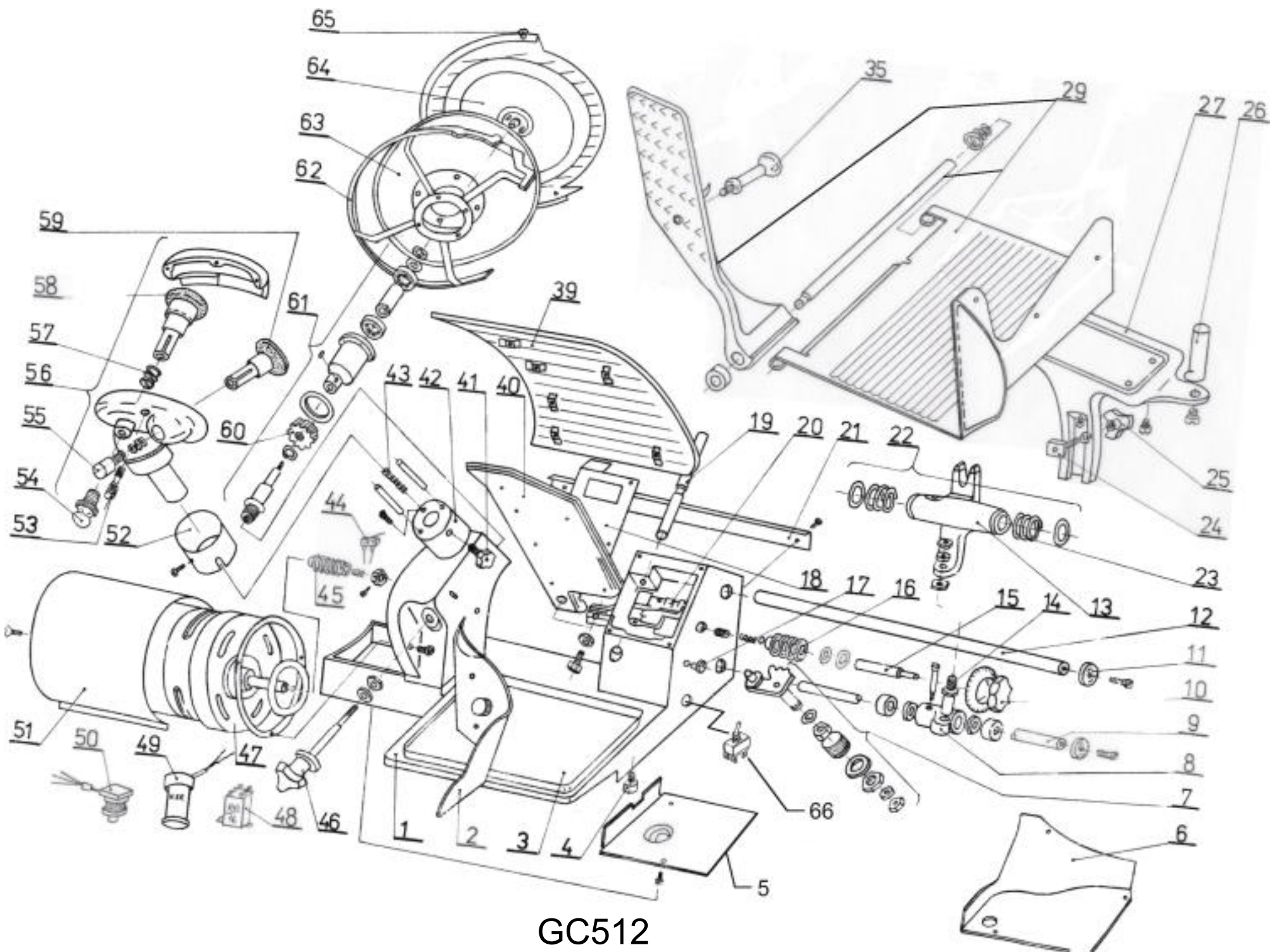
Dayton, Ohio 45439

Parts Department

Toll Free 1-800-745-6238 • Fax (937) 290-0585

E-Mail: globeinfo@globeslicers.com

Website: www.globeslicers.com



GC512

GC 512 PARTS

1	A101	SLICER BASE
2	A035	S.S. SLICE DEFLECTOR
3	A001	RECEIVING TRAY
4	A040	RUBBER FOOT
5	A011	REAR COVER PLATE
6	A017	FRONT COVER PLATE
7	A130	TABLE ADJUST GEAR ASSEMBLY
8	A170	LOWER SLIDE BUSHING
9	A104	LOWER SLIDE BAR
10	407-1B	ADJUST KNOB
11	A106	SLIDE BAR WASHER
12	A103	UPPER SLIDE BAR
13	A165	UPPER SLIDE BUSHING
14	A162	LOWER BUSHING STUD
15	A114	KNOB SHAFT
16	A116	WORM GEAR
17	952-11	POWER ON LAMP
18	A018	TABLE ADJUST COVER
19	A112	TABLE SLIDE SHAFT
20	A140	TABLE SLIDE
21	A006	SIDE COVER PLATE
22	A160	CHUTE ARM RECEIVER
23	A166	BUMPER SPRING
24	A415	PLATE & STUD ASSEMBLY
25	A222	SUPPORT KNOB
26	A413	CHUTE HANDLE
27	A2410	CHUTE SUPPORT
29	A2420	S.S. CHUTE ASSEMBLY
35	A451	END WEIGHT HANDLE
39	A025	S.S. TABLE
40	A021	TABLE SUPPORT
41	A220	SHARPENER LOCK KNOB
42	A2210	GEAR HOUSING
43	A208	SHARPENER SPRING
44	A215	MICRO SWITCH
45	A264	MOTOR GEAR
46	A230	KNIFE COVER STUD KNOB
47	A260	KNIFE MOTOR 1/3 HP-60HZ-1PH
48	AR10/16	THERMAL OVERLOAD
49	AKER	START CAPACITOR
50	APR-5	RELAY
51	A270	MOTOR COVER
52	A306	SHARPENER DUST COVER
53	A312	SHARPENER COVER SCREW
54	A303	HONING STONE KNOB
55	A301	GRINDING STONE KNOB
56	A2300	SHARPENING ASSEMBLY
57	A302	SPRING
58	A330	HONING STONE ASSEMBLY
59	A320	GRINDING STONE ASSEMBLY
60	A293	NYLON GEAR
61	A290	BEARING ASSEMBLY
62	A225	KNIFE RIM GAURD
63	A281	KNIFE S.S.
64	A250	KNIFE COVER SUPPORT
65	A245	S.S. KNIFE COVER
66	A785	ON/OFF SWITCH
NOT SHOWN	132-3	POWER CORD
NOT SHOWN	785-1SG	SWITCH GUARD
NOT SHOWN	952-13	SWITCH BOOT

GC512 WIRING

