



Floor Kettles model DEES

Description

Kettle shall be a Groen Model DEES (40 gallon) stainless steel steam jacketed unit, operating with an electric heated steam source contained within unit.

Construction

Kettle interior shall be of type 316 stainless steel, with solid one-piece welded construction. The console and all exposed surfaces shall be stainless steel.

The kettle body shall be mounted in a heavy-duty stainless steel tilt trunnion. The trunnion assembly is supported by the stainless steel enclosed base. The base shall be provided with stainless steel tubular legs with adjustable bullet feet. The enclosed support base shall contain a smooth operating, self-locking tilt mechanism, and shall be of sanitary, drip-proof construction with interior readily accessible for installation or maintenance.

The unit shall be furnished with a heavy reinforced bar rim with a welded-in butterfly shaped pouring lip for pouring control and durability. Faucet mounting bracket is standard.

All electrical components to be contained within the kettle and console. Designed for single point electrical connection.

Finish

Kettle interior shall be polished to a 180 emery grit finish. Exterior of kettle shall be finished to a bright high buff finish, ensuring maximum ease in cleaning and maintaining brilliant appearance.

ASME Code, UL Listed, CRN Registered

Unit shall be ASME shop inspected, stamped and registered with the National Board for operation up to a maximum working pressure of 50 PSI. Unit shall be UL listed for sale in USA and Canada. Unit shall be registered in Canada with a CRN number.

Sanitation

Unit shall be designed and constructed to meet NSF requirements and be NSF listed.

Drawoff

A 2" sanitary tangent drawoff is optional. (Add "T" to model designation - DEES/T). If drawoff is specified, outlet shall be equipped with removable 1/4" perforated stainless steel strainer.

Self-Contained Steam Source

Kettle shall have an electrically heated self-contained steam source to provide kettle temperatures of 150°F to approximately 295°F. Unit shall be factory charged with water and rust inhibitor to ensure long life and minimum maintenance.

Controls

Controls shall include a regulating thermostat, built-in contactor, safety tilt cut-off, safety valve, pressure limit control, pressure gauge, water sight glass, heat indicator light and low water cutoff.

Performance Features

Model DEES shown



Unit shall be thermostatically controlled to automatically shut off when the desired temperature setting is reached and turn on when product temperature drops below desired setting. Smooth action manual tilt allows for easy pouring and transfer of kettle contents.

Installation

Specify 208, 240, or 480 Volt, single or three phase, for 60 cycle electric service.

Options/Accessories

- Water fill faucets
- Lift-off cover
- Counterbalanced, spring assist hinged cover kit
- Solid disk strainer
- 1/4" perforated strainer
- 2" tangent draw-off (TDO) valve with 1/4" perforated strainer
- Kettle brush kit
- 1/8" perforated strainer
- Contour measuring strip
- Gallon etch marks
- Lip strainer
- Pan carrier

Origin of Manufacture

Kettle shall be designed and manufactured in the United States.

**Stainless Steel
2/3 Steam Jacketed
Kettle**

**Low Height
Floor Mounted
Tilting
Self-Contained
Electric Heated
40-Gallon Capacity**

Short Form

Groen Model DEES (40 gallon), self-contained, tilting, electric heated, stainless steel steam jacketed kettle. All stainless steel construction with reinforced bar rim, butterfly shaped pouring lip and smooth action mechanical tilt. Kettle body shall be mounted in heavy duty stainless steel combination kettle support tilt trunnion, which is supported by stainless steel enclosed base. NSF listed, ASME code constructed for 50 PSI and UL listed. Specify 208, 240, or 480 Volt, single or three phase for 60 cycle. Made in USA.



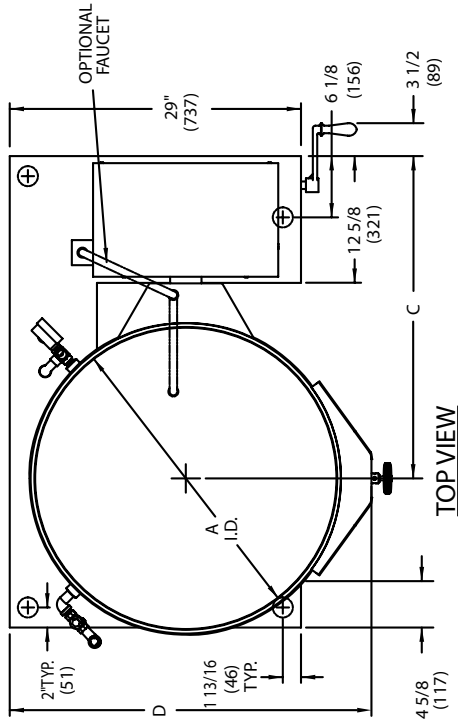
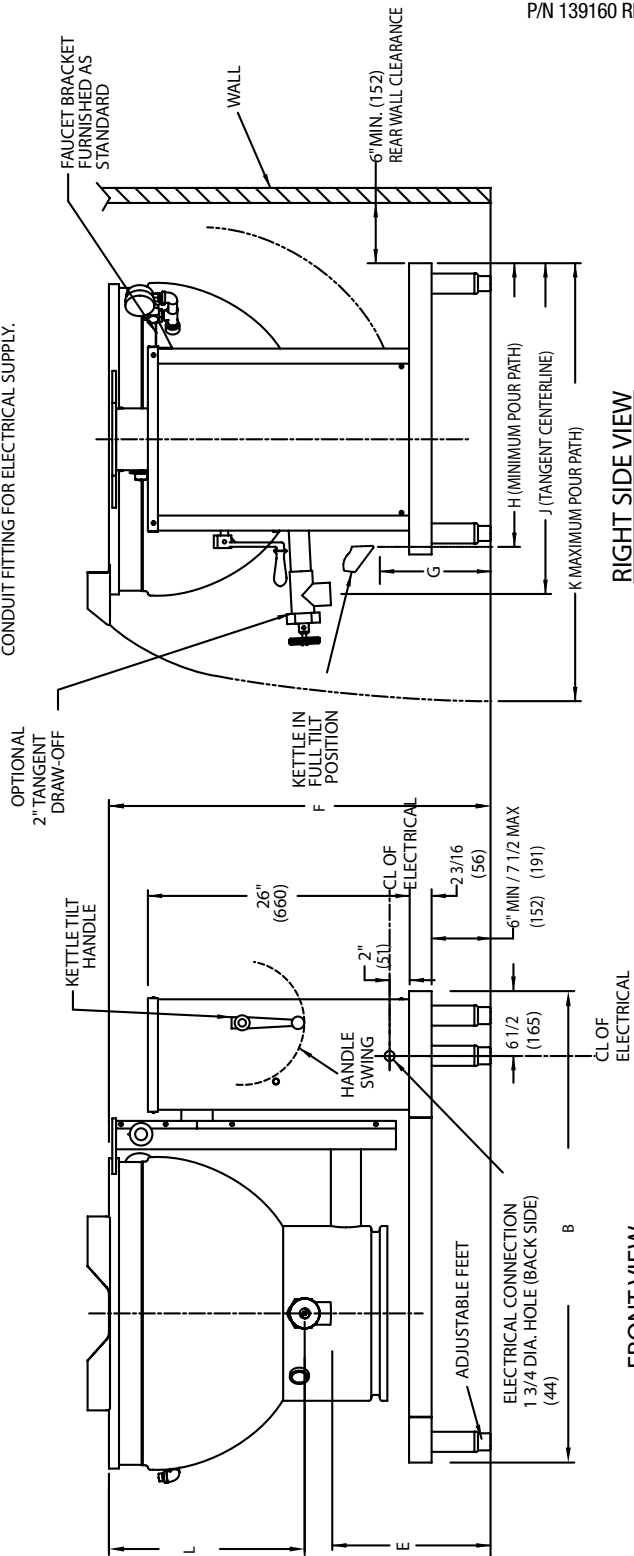
Applications

- Meat Dishes
- Vegetables
- Soups
- Sauces
- Pasta
- Rice
- Pie Fillings
- Gravies
- Poultry
- Seafood

TABLE OF DIMENSIONS		40 GALLONS	
CAP.	DIMS.	INCH	MM
A	30	762	
B	47	1194	
C	31	787	
D	36 3/8	924	
E	13 1/4	337	
F	38 7/8	987	
G	10 3/8	264	
H	29 1/2	749	
J	29 1/2	749	
K	57 1/2	1460	
L	16 3/4	425	

ELECTRICAL REQUIREMENTS TABLE		DEES-40	
KETTLE MODEL	PHASE	KW	AMPS
208	1 PH	21	101
	3 PH		59
240	1 PH	24	105
	3 PH		58
480	1 PH	24	50
	3 PH		29

- NOTES:**
- OPTIONAL EXTRA COST FEATURES:
 - A. 2" TANGENT SANITARY DRAW-OFF
 - B. FAUCET WITH SWING SPOUT
 - C. MODEL #31 LIFT OFF COVER.
2. DIMENSIONS IN BRACKETS () ARE MM.
 3. CUSTOMER TO SUPPLY WATER RESISTANT CONDUIT FITTING FOR ELECTRICAL SUPPLY.


TOP VIEW

FRONT VIEW
RIGHT SIDE VIEW
