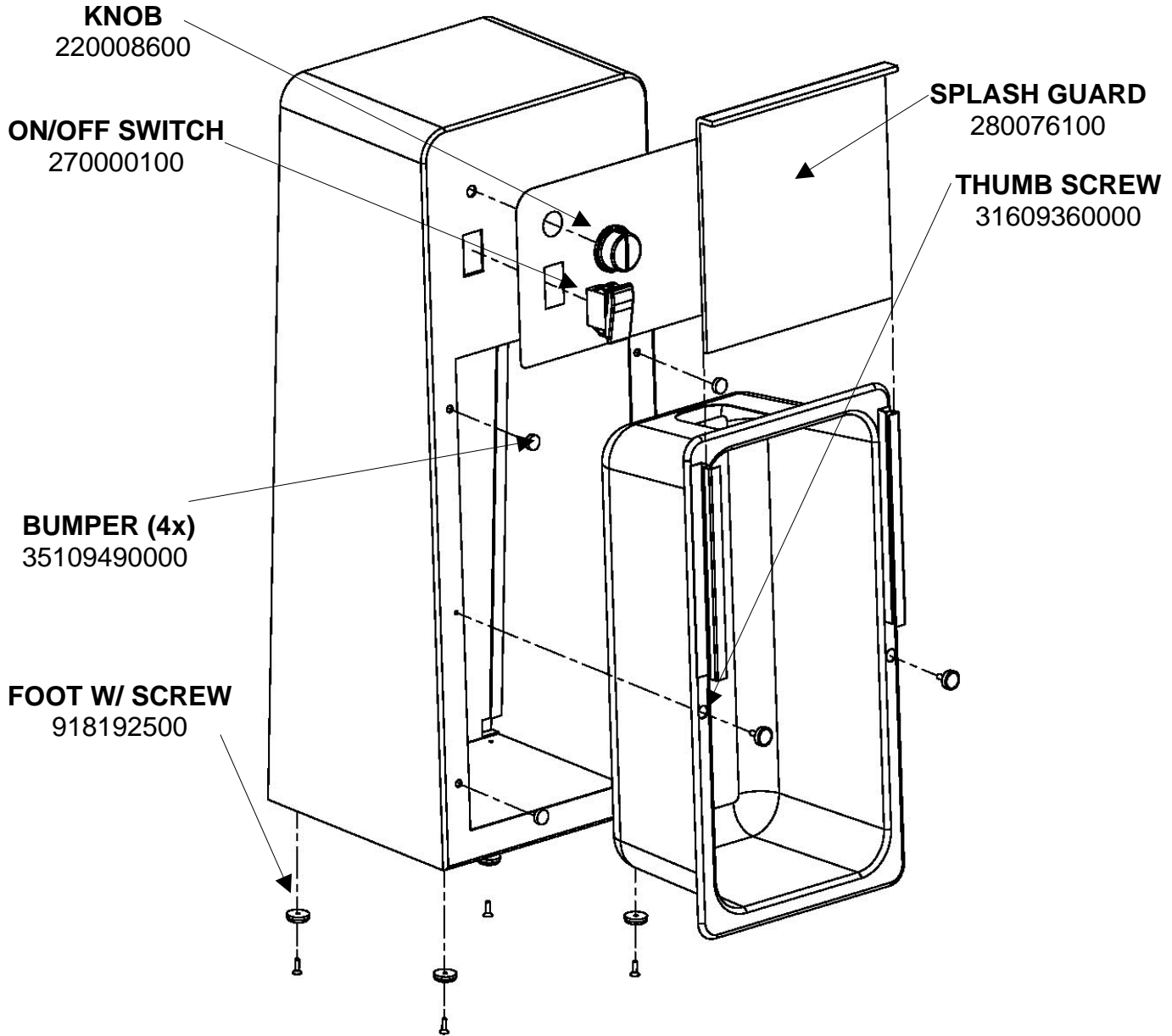



## Replacement Parts Diagram

**PROPRIETARY RIGHTS NOTICE** This document and all information contained within it is the property of Hamilton Beach Brands, Inc. (HBB). It is confidential and proprietary and has been provided to you for a limited purpose. It must be returned or destroyed upon request. Disclosure, reproduction or use of this document and any information contained within it, in full or in part, for any purpose is forbidden without the prior written consent of HBB. No photographs may be taken of any article fabricated or assembled from this document without the prior written consent of HBB.

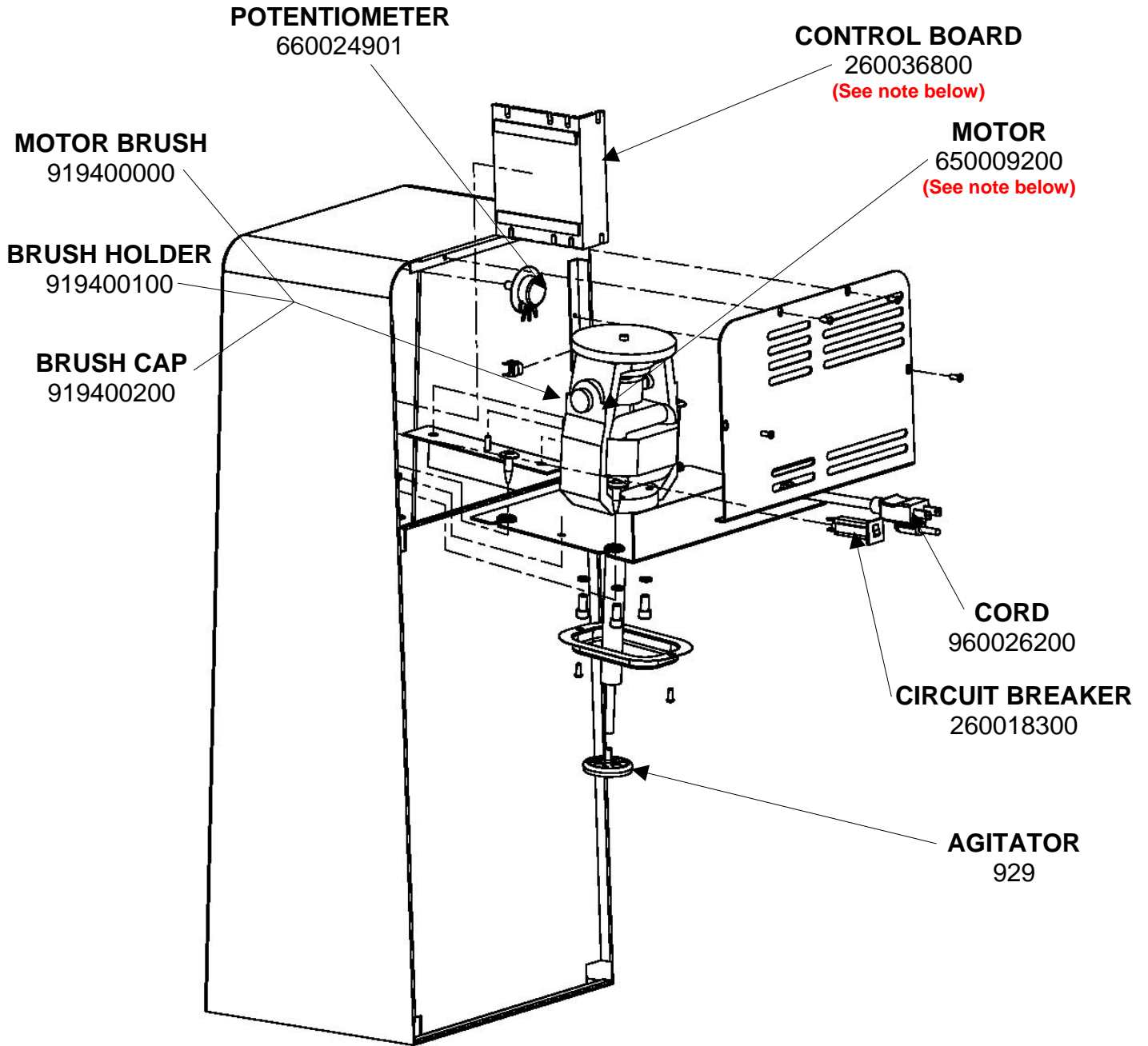
### 94950 – Assembly (Series A-B)



 <p>Hamilton Beach 4421 Waterfront Drive Glen Allen, VA 23060</p>	Revision Description:		Updated series use					
	Request Number:	CME-2709	Revision Date:	6/6/08	Approved by:			
	Issue Code(s):	CS, SP	Page:	1 of 2	Document #:	<b>5100036XX</b>	Rev:	<b>D</b>

## Replacement Parts Diagram

**PROPRIETARY RIGHTS NOTICE** This document and all information contained within it is the property of Hamilton Beach Brands, Inc. (HBB). It is confidential and proprietary and has been provided to you for a limited purpose. It must be returned or destroyed upon request. Disclosure, reproduction or use of this document and any information contained within it, in full or in part, for any purpose is forbidden without the prior written consent of HBB. No photographs may be taken of any article fabricated or assembled from this document without the prior written consent of HBB.




Note for Series A-B Machines:

-Control board 260036800 and Motor 650009200 are in limited supply. If control board or motor need to be upgraded to series D parts, use control board and motor kit 990051800.



**AGITATOR**  
930

 4421 Waterfront Drive Glen Allen, VA 23060	Revision Description:		Updated series use					
	Request Number:	CME-2709	Revision Date:	6/6/08	Approved by:			
	Issue Code(s):	CS, SP	Page:	2 of 2	Document #:	<b>5100036XX</b>	Rev:	<b>D</b>