

JWE-620UA-6B

Jet Wash High Temperature Commercial Dishwasher



- Operation panel can be placed on either left or right side of unit



JWE-620UA-6B
Jet Wash Dishwasher
Shown

- Constructed of durable stainless steel
 - Narrow depth allows for tight space installation
 - Adjustable digital operation panel
 - 18" door opening height
 - 2 separate pumps - one washing, one rinsing
 - Environmentally friendly
 - Low operation expense
 - Ease of maintenance and cleaning
 - Patented removable dish rack rail
 - Efficient washing and rinsing performance – 0.53 gallons per cycle combined with wide angle nozzle and high pressure pump increases washing
 - Interchangeable triple nozzle washing head on upper and lower
 - Independent upper and lower section high pressure rinsing arms
 - Tube-in-Tube pipe structure sustains constant water temperature to ensure sanitation
 - Hood door easily opens and closes with patent pending compression spring
- * The JWE-620UA-6B is ENERGY STAR qualified - ideal for LEED Certified buildings

JWE-620UA-6B
5/10

Item # 13257

Project:

Qty:

*AutoCad available on KCLHoshizaki reserves the right to change specifications without notice.

Dimensions w x d x h

JWE-620UA-6B
25^{1/4} x 25^{13/16} x 60^{1/2}

Power Supply

208 - 230V/60/3ø

Amperage

36.6A

Minimum Circuit

Ampacity

50A

Shipping Weight

344 Lbs.

Racks per hour

62

Warranty

Valid in United States, Canada, Puerto Rico, and U.S. Territories. Contact factory for warranty in other countries. **Contact the factory for details.**

- One Year - Parts & Labor

© HOSHIZAKI AMERICA, INC.

618 Hwy. 74 S., Peachtree City, GA 30269

TEL 1-800-438-6087

FAX 1-800-345-1325

www.hoshizaki.com



JWE-620UA-6B

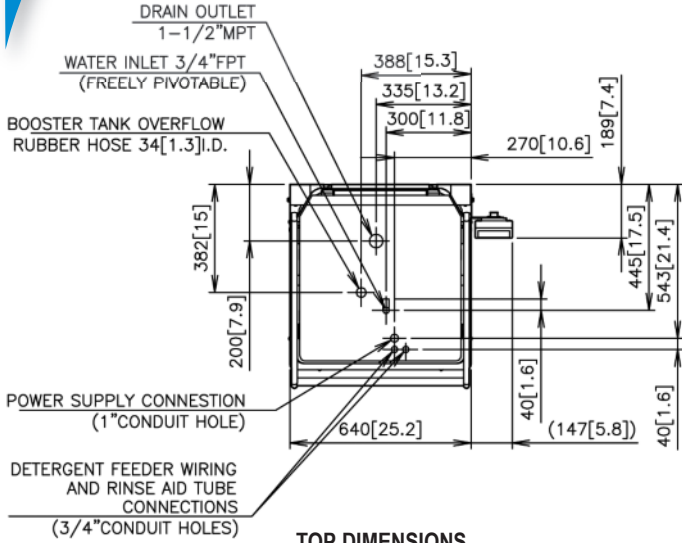
Jet Wash High Temperature Commercial Dishwasher

DIMENSIONS
W x D x H

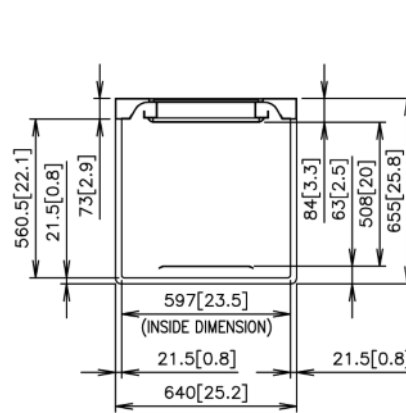
JWE-620UA-6B
25^{1/4} x 25^{13/16} x 60^{1/2}



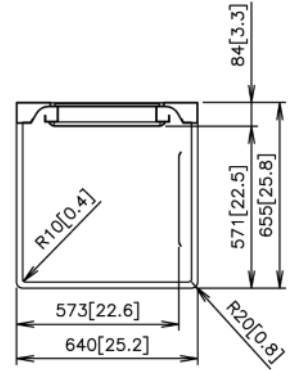
ISO 9001 · ISO 14001



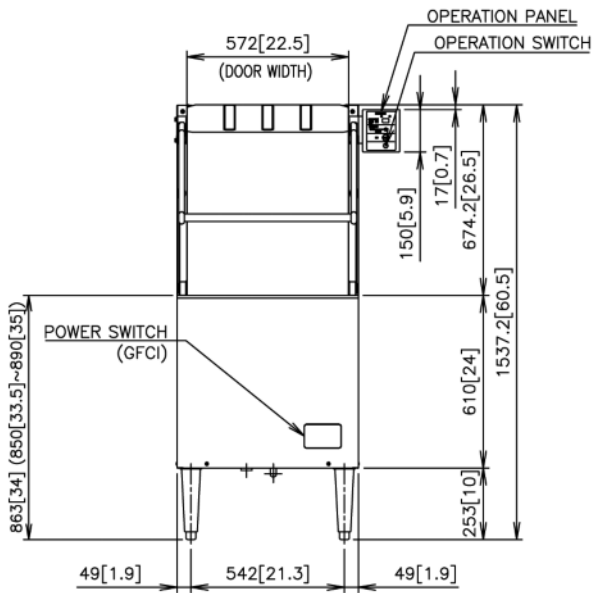
TOP DIMENSIONS



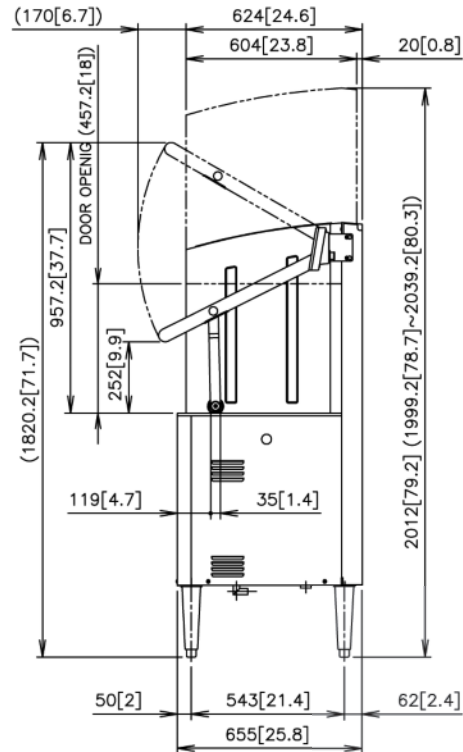
STRAIGHT INSTALLATION



CORNER INSTALLATION



FRONT DIMENSIONS



SIDE DIMENSIONS

