

Hoshizaki America, Inc.

Ice Bin

Models

B-1150SS

B-1300SS

B-1500SS

B-1650SS



“A Superior Degree
of Reliability”

www.hoshizaki.com

PARTS LIST



Number: 71238
Issued: 3-9-2005
Revised: 8-29-2006

CONTENTS

Auxiliary Codes.....	3
Note About Ordering Parts	3
Material Abbreviations	4
A. Bin Assembly.....	5
B. Snout Assembly	7
C. Door Assembly	9
D. Hinge Assembly-Right.....	10
E. Hinge Assembly-Left	10
F. Accessories.....	11
G. Packaging	11
H. Options.....	11

Auxiliary Codes

B-1150SS Q-5 August 2005
 R-5 December 2005
 R-6 September 2006

B-1300SS Q-5 March 2005
 R-5 December 2005
 R-6 September 2006

B-1500SS Q-5 August 2005
 R-5 December 2005
 R-6 September 2006

B-1650SS Q-5 March 2005
 R-5 December 2005
 R-6 September 2006

Note About Ordering Parts

Most assemblies cannot be ordered as complete units; parts in the assemblies generally must be ordered separately.

Material Abbreviations

ALUMINUM

AL = Aluminum

COPPER

CU = Copper

PLASTIC

ABS = Acrylonitrile -butadiene - styrene
AC = Polyacetal
EVA = Ethylene vinyl acetate
PA = Polyamide = Nylon
PC = Polycarbonate
PE = Polyethylene
PES = Polyester
PETP = Polyethylene terephthalate = Tetlon
PP = Polypropylene
PS = Polystyrene
PTFE = Polytetrafluoroethylene = Teflon
PUR = Polyurethane
PVC = Polyvinyl chloride

RUBBER


VN = Vinyl Nitrile
EPDM = EP rubber
NBR = Nitrile butadiene rubber
NR = Natural rubber
NP = Neoprene
SI.R = Silicone rubber
SY.R = Synthetic rubber
EPH = Epichlorohydrin

STEEL

GS = Galvanized steel
SS = Stainless steel
PS = Plated steel
PAS = Primed steel

AUXILIARY CODE

K-5

 Designates the year. "K" indicates the year 2000. Years progress or regress in alphabetical order. "J" is 1999, "L" is 2001, "M" is 2002, and so on. The letters "I" and "O" were skipped.
Designates significant part changes within the same year for this model. Base is 5 and this number advances for each change.

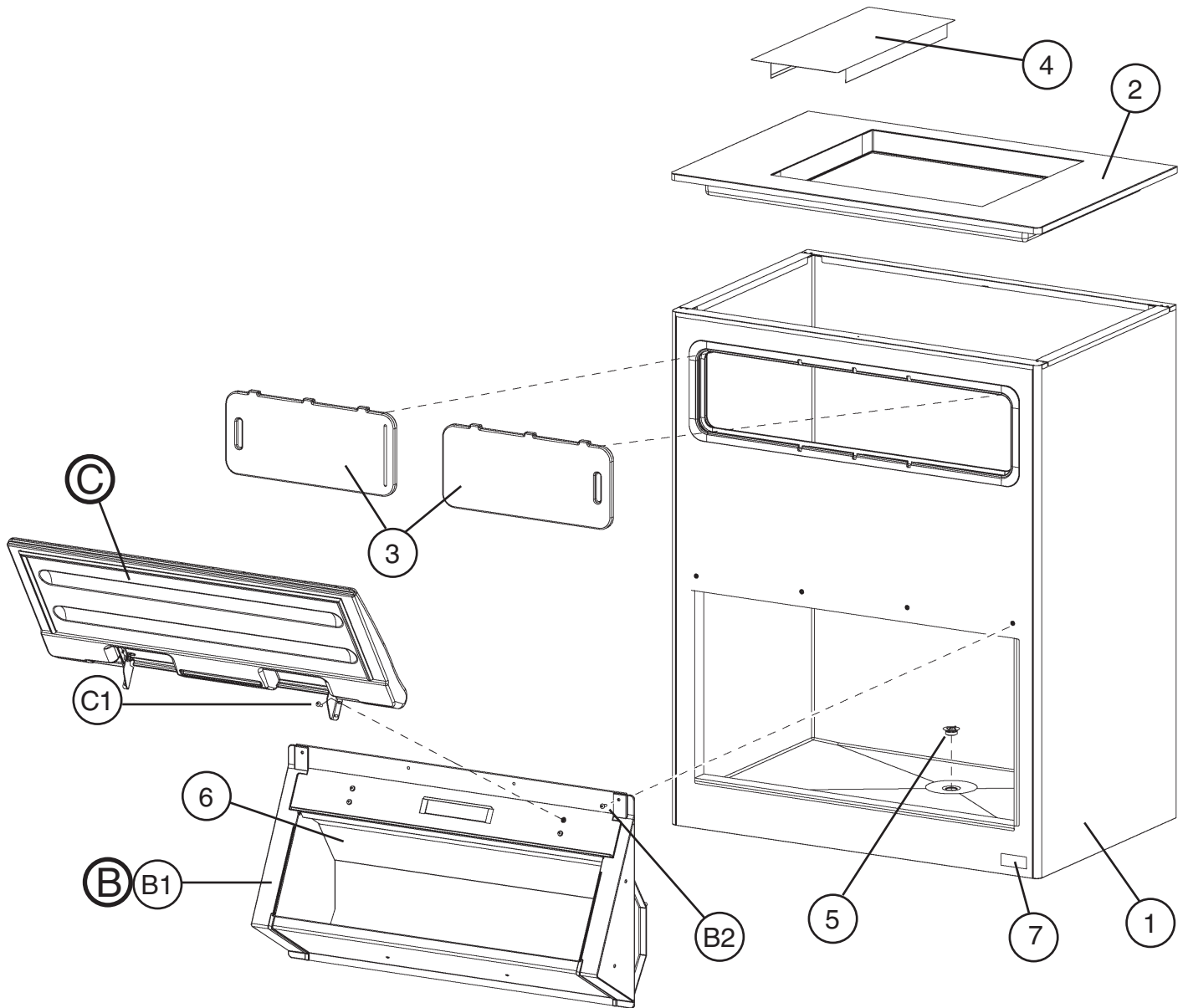
Example: P-6

 "P" indicates 2004.
"6" indicates the first significant part change for 2004.

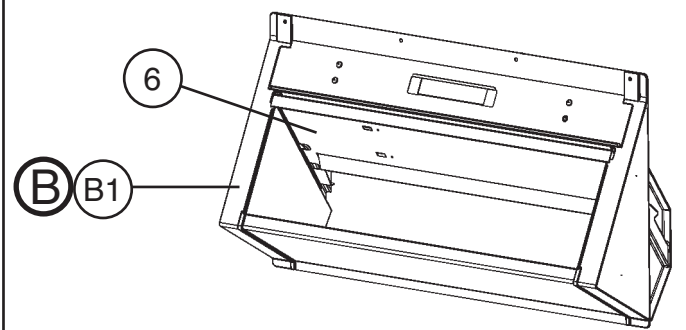
A. Bin Assembly

B-1150SS, B-1300SS, B-1500SS, B-1650SS

Q-5, R-5, R-6



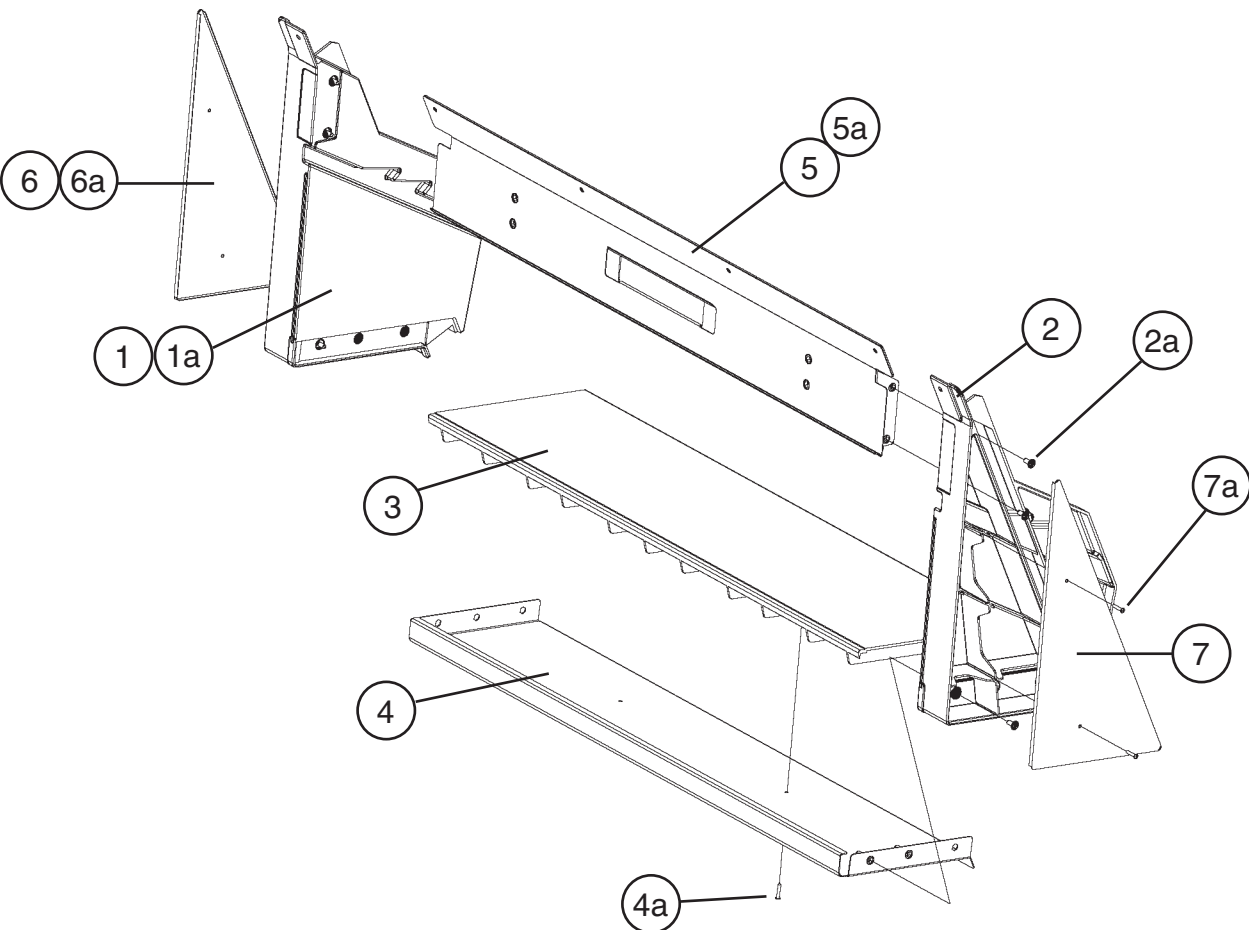
Snout Assembly and Baffle appearance at auxiliary codes Q-5 & R-5



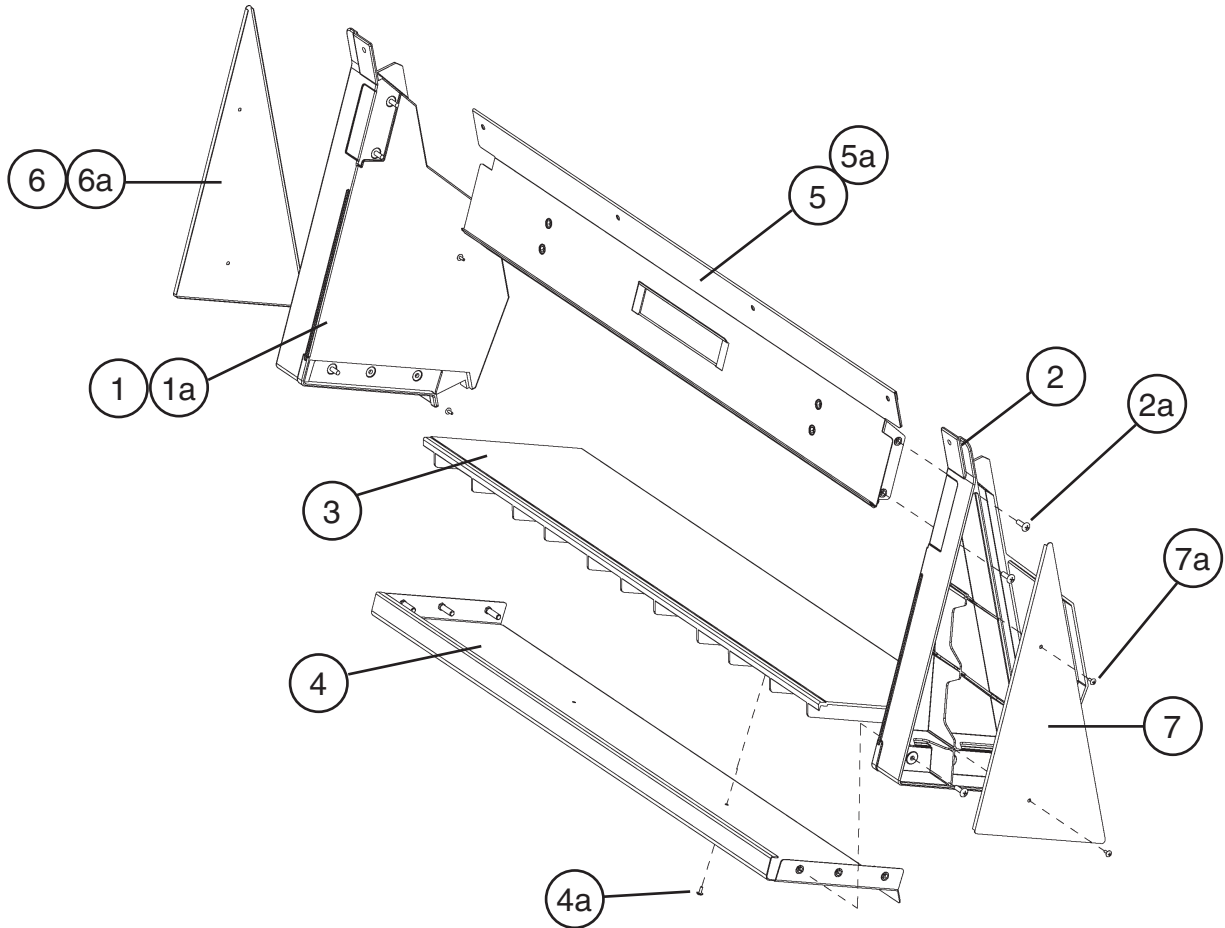
Title: **A. Bin Assembly** Model: **B-1150SS, B-1300SS, B-1500SS, B-1650SS**

Index No.	Description	Material or Model Number	Part Number	Required Number										
				Q-5	R-5	R-6								
B	Snout Assembly	-	2A3065A01	1	1	-								
			2A4023A01			1								
B1	For snout gasket, see 5 in F. Accessories													
B2	Truss Head Screw	6x20 SS	4A3454-02	4	4	4								
C	Door Assembly	-	2A3066A01	1	1	1								
C1	Truss Head Screw	6x20 SS	4A3454-02	4	4	4								
1	Bin-Foamed	B-1150SS	2A3602G01	1	1	1								
		B-1300SS	2A3064G01	1	1	1								
		B-1500SS	2A3621G01	1	1	1								
		B-1650SS	2A3088G01	1	1	1								
2	Top Kit	B-1150SS	2A3424G01	1	1	1								
		B-1300SS	2A3070G01	1	-									
			2A3424G01		1	1								
		B-1500SS B-1650SS	2A3248G01	1	1	1								
3	Sliding Door	-	2A3079-01	2	2	2								
4	Cover-Top Kit	SS	3A3197G01	1	-									
	Cover (A)		3A3198-01		1	1								
5	Drain Cap	-	322015-01	1	1	1								
6	Baffle	-	2A3073-01	1	1	-								
			2A4030-01			1								
7	Nameplate	B-1150SS	4A3466-03	1	1	1								
		B-1300SS	4A3466-01	1	1	1								
		B-1500SS	4A3466-04	1	1	1								
		B-1650SS	4A3466-02	1	1	1								

B. Snout Assembly
B-1150SS, B-1300SS, B-1500SS, B-1650SS
Q-5, R-5



B. Snout Assembly
B-1150SS, B-1300SS, B-1500SS, B-1650SS
R-6

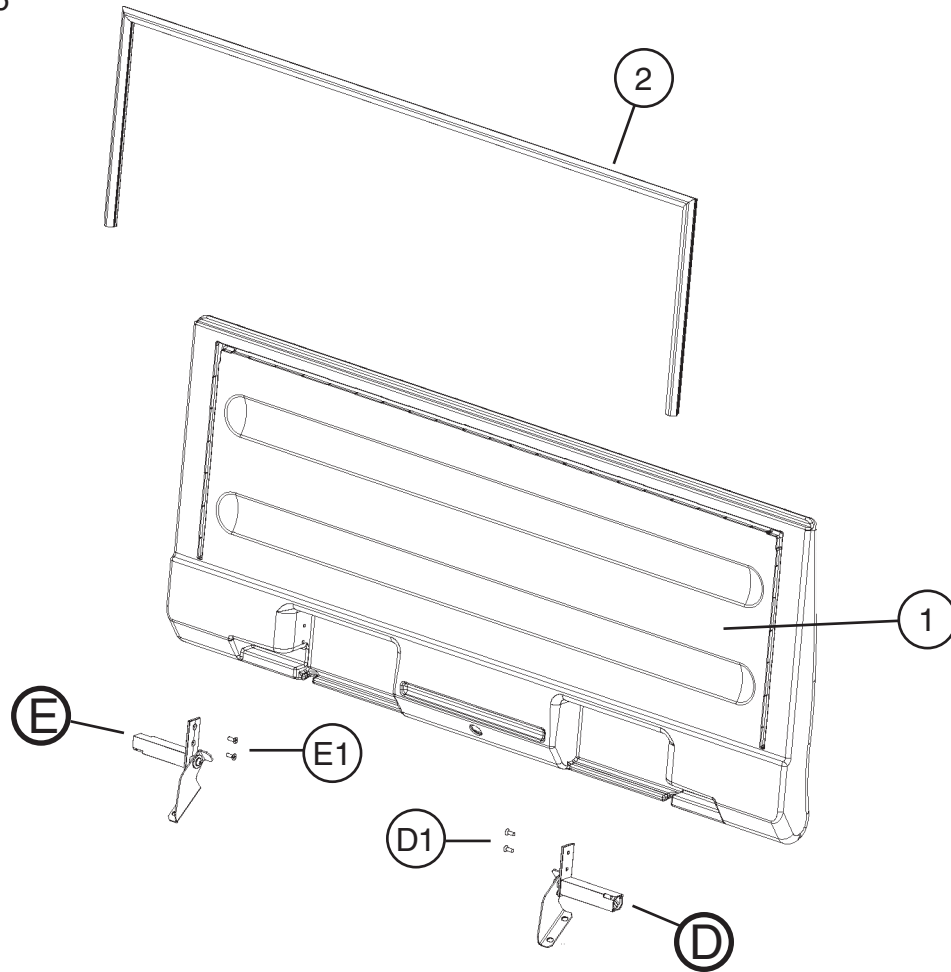


Title: B. Snout Assembly Model: B-1150SS, B-1300SS, B-1500SS, B-1650SS										
Index No.	Description	Material or Model Number	Part Number	Required Number						
				Q-5	R-5	R-6				
1	Snout (L)	-	1A0923-01	1	1	-				
			1A1287-01			1				
1a	Truss Head Screw	6x20 SS	4A3454-02	5	5	5				
2	Snout (R)	-	1A0930-01	1	1	-				
			1A1286-01			1				
2a	Truss Head Screw	6x20 SS	4A3454-02	5	5	5				
3	Snout Bottom (A)	-	1A0925-01	1	1	1				
4	Snout Bottom (B)	-	1A0931-01	1	1	1				
4a	T2 Screw	4x10 SS	7P32-0410	2	2	2				
5	Snout Top Assembly	-	2A3069G01	1	-					
			2A3585G01		1	-				
			2A4024G01			1				
5a	Round Vinyl Cap	-	4A3498-01	8	8	8				
6	Side Cover (L)	-	3A3080-01	1	1	1				
6a	T2 Screw	4x10 SS	7P32-0410	2	2	2				
7	Side Cover (R)	-	3A3091-01	1	1	1				
7a	T2 Screw	4x10 SS	7P32-0410	2	2	2				

C. Door Assembly

B-1150SS, B-1300SS, B-1500SS, B-1650SS

Q-5, R-5, R-6

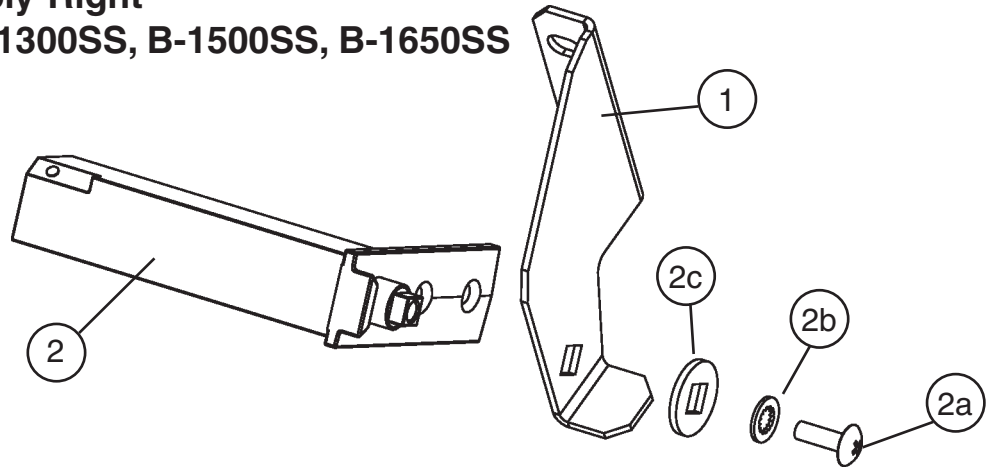


Title: C. Door Assembly Model: B-1150SS, B-1300SS, B-1500SS, B-1650SS										
Index No.	Description	Material or Model Number	Part Number	Required Number						
				Q-5 to R-6						
D	Hinge Assembly - Right	-	3A3076A01	1						
D1	Countersunk Screw	5x12 SS	4A2894-01	2						
E	Hinge Assembly - Left	-	3A3077A01	1						
E1	Countersunk Screw	5x12 SS	4A2894-01	2						
1	Door	-	1A0926G01	1						
2	Gasket	-	3A3330-01	1						

D. Hinge Assembly-Right

B-1150SS, B-1300SS, B-1500SS, B-1650SS

Q-5, R-5, R-6

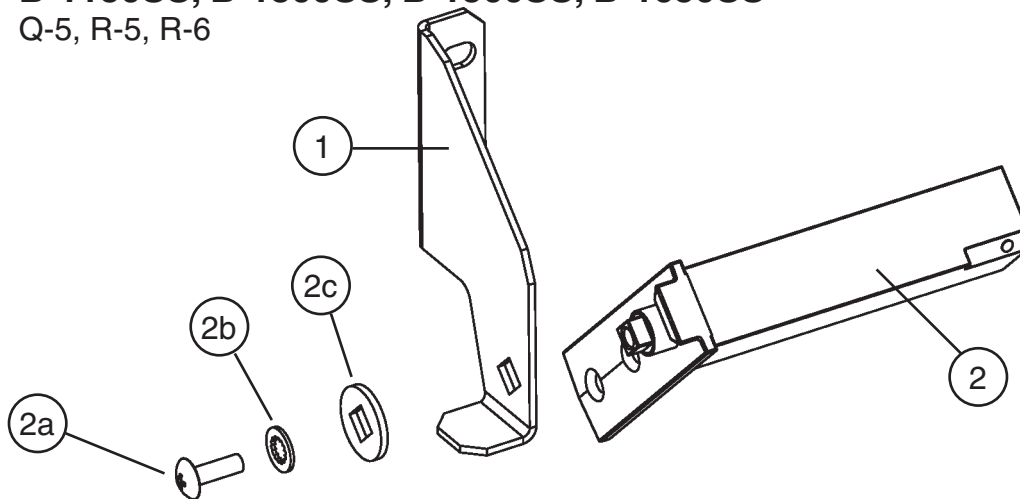


Title: D. Hinge Assembly-Right					Model: B-1150SS, B-1300SS, B-1500SS, B-1650SS												
Index No.	Description	Material or Model Number	Part Number	Required Number													
				Q-5 to R-6													
1	Hinge Bracket (R)	-	3A3090-01	1													
2	Hinge	-	4A3360-01	1													
2a	Truss Head Screw	M6 SS	4A3360F02	1													
2b	Tooth Washer	M4 SS	4A3360F03	1													
2c	Washer	-	4A3361-01	1													

E. Hinge Assembly-Left

B-1150SS, B-1300SS, B-1500SS, B-1650SS

Q-5, R-5, R-6



Title: E. Hinge Assembly-Left					Model: B-1150SS, B-1300SS, B-1500SS, B-1650SS												
Index No.	Description	Material or Model Number	Part Number	Required Number													
				Q-5 to R-6													
1	Hinge Bracket (L)	-	3A3089-01	1													
2	Hinge	-	4A3360-01	1													
2a	Truss Head Screw	M6 SS	4A3360F02	1													
2b	Tooth Washer	M4 SS	4A3360F03	1													
2c	Washer	-	4A3361-01	1													

F. Accessories

B-1150SS, B-1300SS, B-1500SS, B-1650SS

Q-5, R-5, R-6

Title: F. Accessories Model: B-1150SS, B-1300SS, B-1500SS, B-1650SS											
Index No.	Description	Material or Model Number	Part Number	Required Number							
				Q-5 to R-6							
1	Instruction Manual	-	91A4LA10D	1							
2	Leg-Box Of 4	-	4A2113-01	1							
3	Instruction Sheet/Legs	-	434803-01	1							
4	Scoop-82 Oz	-	4A2246-01	1							
5	Gasket (snout)	-	4A3474-01	1							

G. Packaging

B-1150SS, B-1300SS, B-1500SS, B-1650SS

Q-5, R-5, R-6

Title: G. Packaging Model: B-1150SS, B-1300SS, B-1500SS, B-1650SS											
Index No.	Description	Material or Model Number	Part Number	Required Number							
				Q-5 to R-6							
1	Cornerpost	B-1150SS	3A0782-22	4							
		B-1300SS	3A0782-20	4							
		B-1500SS	3A0782-23	4							
		B-1650SS	3A0782-20	4							
2	Cornerpost	-	3A0782-21	2							
3	Pallet	B-1150SS	3A3188-01	1							
		B-1300SS									
		B-1500SS	3A3189-01	1							
		B-1650SS									
4	Carton	B-1150SS	3A3666-01	1							
		B-1300SS	3A3206-01	1							
		B-1500SS	3A3667-01	1							
		B-1650SS	3A3205-01	1							
5	Hex Bolt	No.5/8-11 UNC L=2	7B0115825	2							
6	Flat Washer	5/8 USS	7W2115800	2							

H. Options

B-1150SS, B-1300SS, B-1500SS, B-1650SS

Q-5, R-5, R-6

Title: H. Options Model: B-1150SS, B-1300SS, B-1500SS, B-1650SS											
Index No.	Description	Material or Model Number	Part Number	Required Number							
				Q-5 R-5	R-6						
1	Scoop Holder	-	HS-2106	1	-						
2	Probe	-	HS-2108	1	1						
3	Shovel	-	HS-2107	1	1						