

**HOSHIZAKI
COUNTER SHOWCASE**

MODEL

**HNC-120BA-L(R)-S
HNC-150BA-L(R)-S
HNC-180BA-L(R)-S
HNC-210BA-L(R)-S
PARTS LIST**

AUXILIARY CODE

U - 1

The auxiliary code is the first two characters in the serial number. The first character indicates the production year. Years progress or regress in alphabetical order. The series of letters and skipped letters depend on UL listing, production, and model. See the auxiliary code(s) and corresponding year(s) on the front cover.

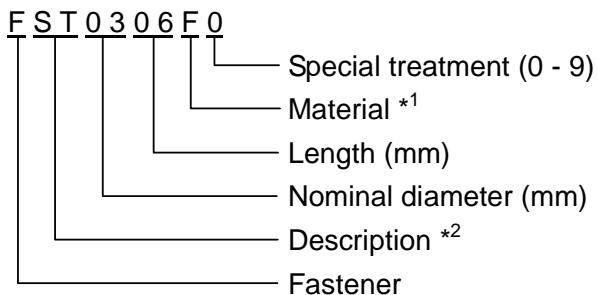
The second character indicates significant part changes within the same year. Base is "1" and this number advances for each change. If there is no significant part change at the turn of the year, this number starts from "0."

MARKS LOCATED UNDER THE AUXILIARY CODE

- = Part deleted.
- x = Part deleted and replaced by "o" part.
- o = New part in place of "x" part.

FASTENER PART NUMBER

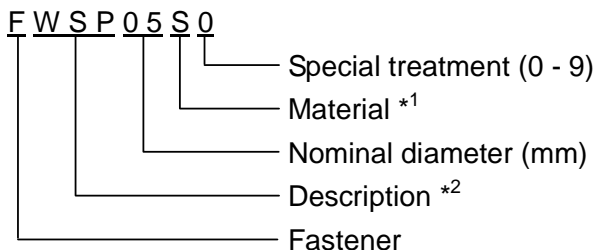
SCREWS



*1 Material

- F: Steel
- S: Austenitic stainless steel
- M: Martensitic stainless steel
- B: Copper alloy
- P: Polycarbonate
- N: Polyamide
- V: PVC
- A: ABS
- X: Polyacetal
- L: Aluminum

NUTS & WASHERS



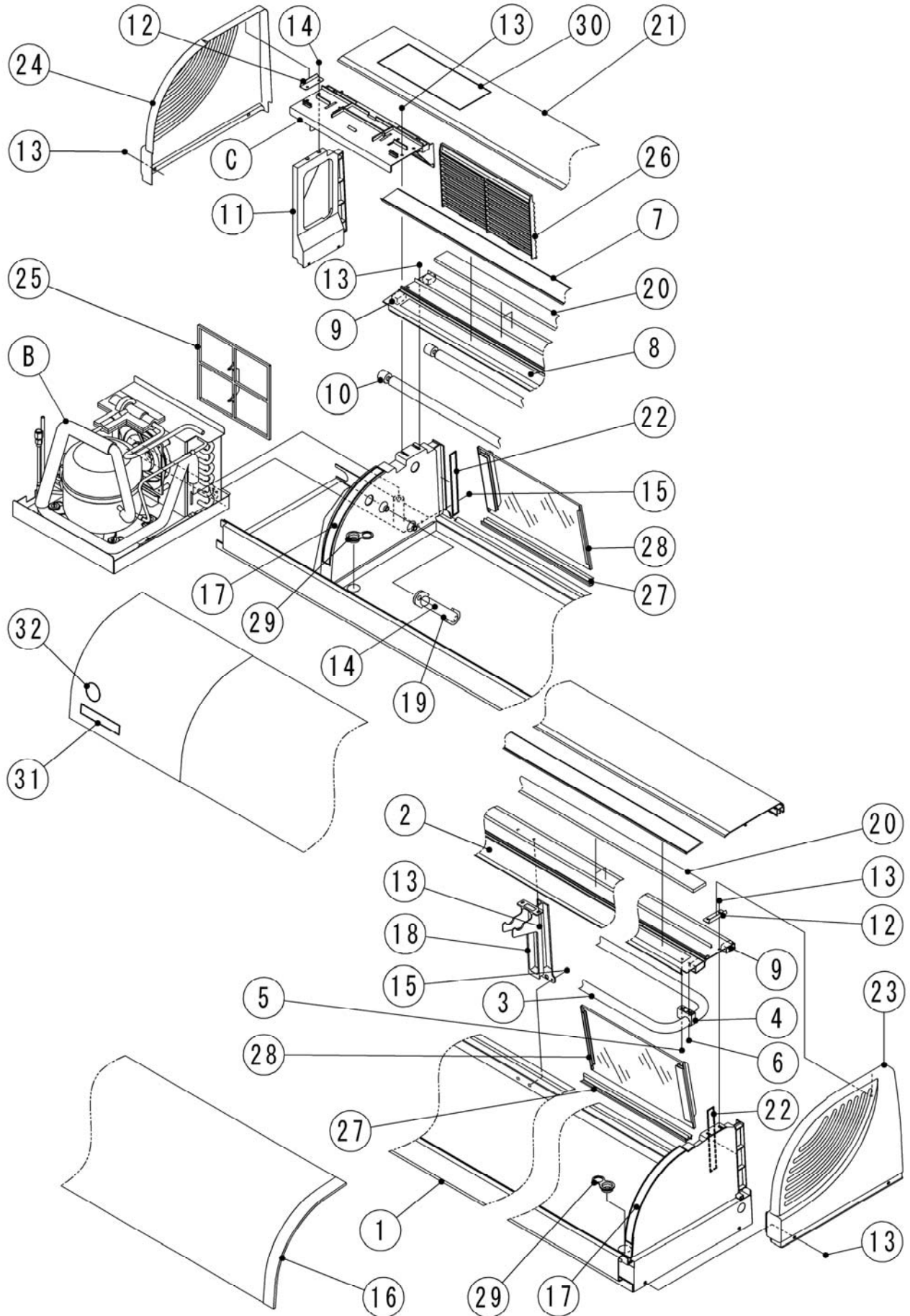
*2 Description

- First letter
- S: Machine screw
- T: Tapping screw
- M: Wood screw
- B: Bolt
- W: Washer
- N: Nut

HNC-120BA-L (R) -S
HNC-150BA-L (R) -S
HNC-180BA-L (R) -S
HNC-210BA-L (R) -S

A. GENERAL AY

(U-1) and later



MODEL: HNC-120BA-L(R)-S HNC-150BA-L(R)-S HNC-180BA-L(R)-S HNC-210BA-L(R)-S				TITLE: A.GENERAL AY			
INDEX NO.	DESCRIPTION	MATERIAL OR MODEL NUMBER	PART NUMBER	REQ'D NUMBER			
				U-1			
B	REFRIGERATION AY/L	(L)	1R2495A01	1			
	REFRIGERATION AY/R	(R)	1R2491A01	1			
C	ELB BRACKET AY	(L)	2R4570A01	1			
		(R)	2R4569A01	1			
D	ACCESSORIES	(120)	A01996-01	1			
		(150)	A01991-01	1			
		(180)	A01987-01	1			
		(210)	A01983-01	1			
1	BASE AY/12L	(120BA-L)	1R2487G01	1			
	BASE AY/12R	(120BA-R)	1R2483G01	1			
	BASE AY/15L	(150BA-L)	1R2488G01	1			
	BASE AY/15R	(150BA-R)	1R2484G01	1			
	BASE AY/18L	(180BA-L)	1R2489G01	1			
	BASE AY/18R	(180BA-R)	1R2485G01	1			
	BASE AY/21L	(210BA-L)	1R2490G01	1			
	BASE AY/21R	(210BA-R)	1R2486G01	1			
2	TOP FRAME L/12	(120BA-L)	2R4464M05	1			
	TOP FRAME R/12	(120BA-R)	2R4464M01	1			
	TOP FRAME L/15	(150BA-L)	2R4464M06	1			
	TOP FRAME R/15	(150BA-R)	2R4464M02	1			
	TOP FRAME L/18	(180BA-L)	2R4464M07	1			
	TOP FRAME R/18	(180BA-R)	2R4464M03	1			
	TOP FRAME L/21	(210BA-L)	2R4464M08	1			
	TOP FRAME R/21	(210BA-R)	2R4464M04	1			
3	PIPE UP/EVAP12	(120)	3R5151G02	1			
	PIPE UP/EVAP15	(150)	3R5151G03	1			
	PIPE UP/EVAP18	(180)	3R5151G04	1			
	PIPE UP/EVAP21	(210)	3R5151G05	1			
4	HOLDER AY		4R2804A01	1			
5	TRUSS HEAD TAPPING SCREW T2		FT20430M0	1			
6	TRUSS HEAD TAPPING SCREW T2		FT20410M0	1			
7	TOP PACKING/12	(120)	3S1630P01	1			

MODEL: HNC-120BA-L(R)-S HNC-150BA-L(R)-S HNC-180BA-L(R)-S HNC-210BA-L(R)-S				TITLE: A.GENERAL AY			
INDEX NO.	DESCRIPTION	MATERIAL OR MODEL NUMBER	PART NUMBER	REQ'D NUMBER			
				U-1			
7	TOP PACKING/15	(150)	3S1630P02	1			
	TOP PACKING/18	(180)	3S1630P03	1			
	TOP PACKING/21	(210)	3S1630P04	1			
8	TAPE	(120BA-L)	2R4603Z07	1			
		(120BA-R)	2R4596Z07	1			
		(150BA-L)	2R4595Z07	1			
		(150BA-R)	2R4594Z07	1			
		(180BA-L)	2R4586Z07	1			
		(180BA-R)	2R4580Z07	1			
		(210BA-L)	2R4571Z07	1			
(210BA-R)	2R4568Z07	1					
9	INSULATION/TOP FRAME		4R5131P01	4			
10	SEAL A/EVAP		4R2368-01	2			
11	SIDE FRAME L	(L)	2R4504P02	1			
	SIDE FRAME R	(R)	2R4504P01	1			
12	FOOK		4R5121M01	2			
13	TRUSS HEAD TAPPING SCREW T2	(120)	FT20408M0	10			
		(150,180,210)	FT20408M0	12			
14	TRUSS HEAD TAPPING SCREW T1		FT10416M0	4			
15	TRUSS HEAD TAPPING SCREW T2	(120)	FT20408F0	2			
		(150,180,210)	FT20408F0	4			
16	FRONT GLASS/12	(120)	P01641-02	1			
	FRONT GLASS/15	(150)	P01641-03	1			
	FRONT GLASS/18	(180)	P01641-04	1			
	FRONT GLASS/21	(210)	P01641-05	1			
17	SOFT SEAL A		4R5133P01	2			
18	CENTER FRAME AY	(150,180,210)	2R4566G01	1			
19	THERMOMETER		461083-01	1			
20	INSULATION B	(120)	4R5132P02	2			
	INSULATION C	(150)	4R5132P03	2			
	INSULATION D	(180)	4R5132P04	4			
	INSULATION E	(210)	4R5132P05	4			
21	SUS TOP COVER/12	(120)	2R4597G01	1			

MODEL: HNC-120BA-L(R)-S HNC-150BA-L(R)-S HNC-180BA-L(R)-S HNC-210BA-L(R)-S				TITLE: A.GENERAL AY			
INDEX NO.	DESCRIPTION	MATERIAL OR MODEL NUMBER	PART NUMBER	REQ'D NUMBER			
				U-1			
21	SUS TOP COVER/15	(150)	2R4578G01	1			
	SUS TOP COVER/18	(180)	2R4587G01	1			
	SUS TOP COVER/21	(210)	2R4565G01	1			
22	CUSSION SIDE PANEL		4R5123R01	2			
23	SIDE COVER R AY	(L)	3S1787G01	1			
		(R)	3S1783G01	1			
24	SIDE COVER L AY	(L)	3S1788G01	1			
		(R)	3S1781G01	1			
25	AIR FILTER		3S1695G01	1			
26	LOUVER/UNIT		2R4506P01	1			
27	SLIDER/12	(120)	4R2254-02	1			
		(150)	4R2254-03	2			
		(180)	4R2254-04	2			
		(210)	4R2254-05	2			
28	SLIDE DOOR	(120)	3R5019G06	2			
		(150)	3R5019G07	4			
		(180)	3R5019G08	4			
		(210)	3R5019G09	4			
29	COP/DRAIN		4R2260-01	2			
30	MAINTENANCE LABEL		257431L01	1			
31	NAME PLATE(S)		431136-01	1			
32	LABEL-PENGUIN	(L)	455907-02	1			
		(R)	455907-01	1			

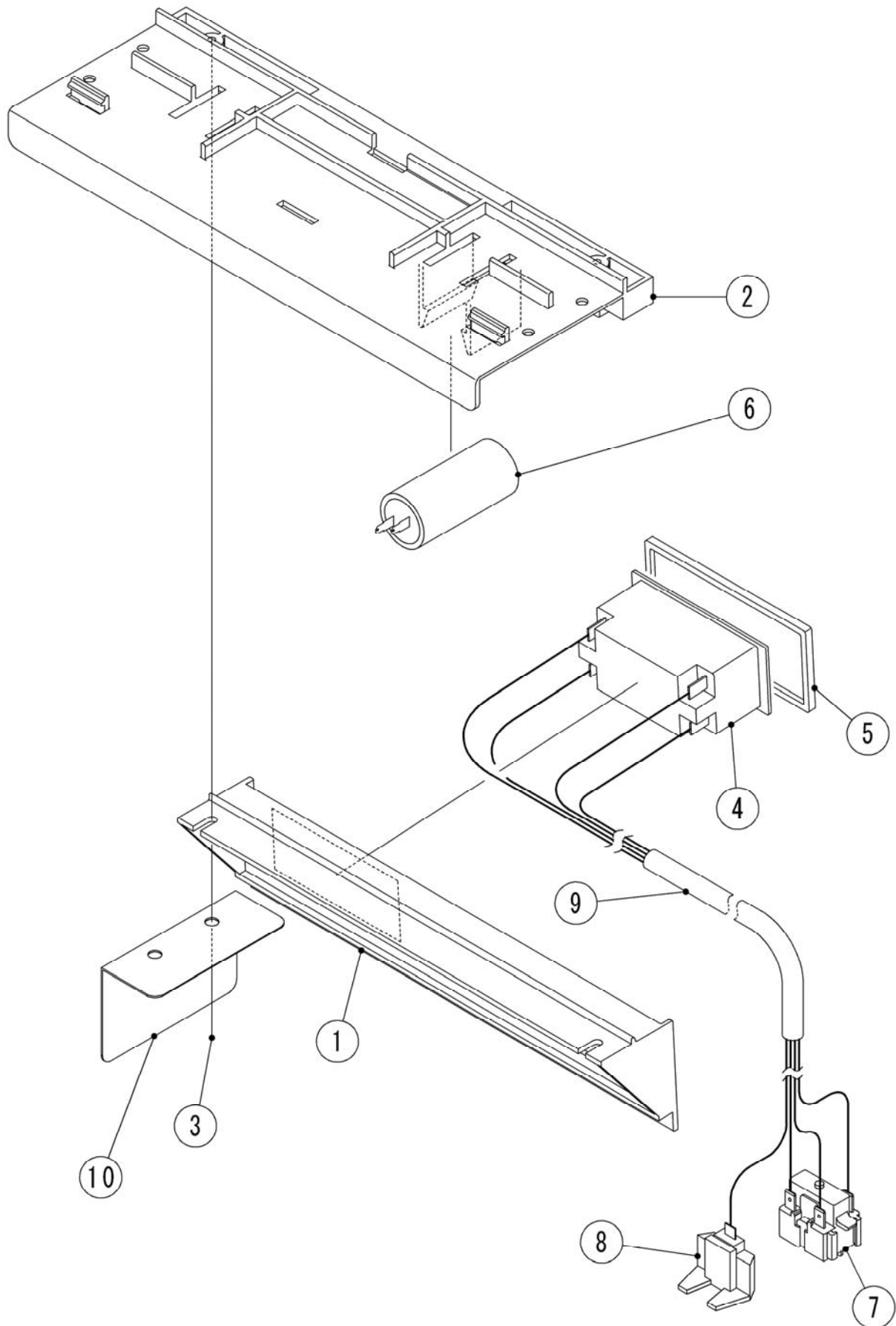
(3/3)

MODEL: HNC-120BA-L(R)-S HNC-150BA-L(R)-S HNC-180BA-L(R)-S HNC-210BA-L(R)-S				TITLE: B. REFRIGERATION AY L (R)			
INDEX NO.	DESCRIPTION	MATERIAL OR MODEL NUMBER	PART NUMBER	REQ'D NUMBER			
				U-1			
1	BASE/UNIT	(L)	2R4551M02	1			
		(R)	2R4551M01	1			
2	COMPRESSOR	CE56Y-1ZU	460658-01	1			
3	RUBBER GROMMET		443695-01	4			
4	FLAT WASHER		FWPL10S0	3			
5	SNAP PIN		715S-0010	3			
6	TERMINAL COVER 6		434797-01	1			
7	COVER BAND F		434798-01	1			
8	CONDENSER		P01558-01	1			
9	TRUSS HEAD TAPPING SCREW (S-TITE)		FTS0408M0	3			
10	COPPER TUBE A/HI L	(L)	3S1773M02	1			
		(R)	3S1773M01	1			
11	DRIER	DY-15QHD-9	458772-01	1			
12	COPPER TUBE K		4R5252M01	1			
13	HEAT EXCHANGER L	(L)	2R4572G01	1			
		(R)	2R4559G01	1			
14	EXPANSION VALVE	HYP2-5QHD-5	447283-04	1			
15	COPPER TUBE/EVAP		3S1771M01	1			
16	INSULATION TUBE	(400mm)	H71020400	1			
17	TEE		420041-21	1			
18	COPPER TUBE J		4R2829-01	1			
19	CHARGE PORT		455119-01	1			
20	COVER A/EXPV		321949-07	1			
21	COVER B/EXPV		321949-08	1			
22	SHROUD	(L)	3S1772M02	1			
		(R)	3S1772M01	1			
23	FAN MOTOR	CN2WX51-038	4R2813-01	1			
24	TRUSS HEAD TAPPING SCREW T2		FT20410M0	2			
25	RELIEF BUSHING	SR-7K-2	420472-02	1			
26	POWER SUPPLY CORD/ASSY		4R5126A01	1			

HNC-120BA-L (R) -S
HNC-150BA-L (R) -S
HNC-180BA-L (R) -S
HNC-210BA-L (R) -S

C. ELB BRACKET AY

(U-1) and later



HNC-120BA-L (R) -S
HNC-150BA-L (R) -S
HNC-180BA-L (R) -S
HNC-210BA-L (R) -S

D. ACCESSORIES AY

(U-1) and later

